

## TWTD Series Installation Instructions



This device is for use on a flat, smooth surface of a NEMA type 4 or 13 enclosure.

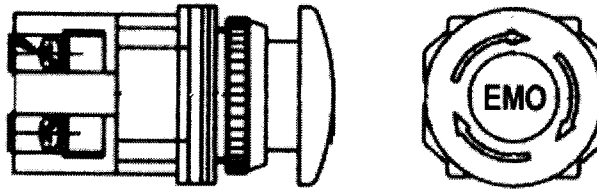
**WARNING:** To prevent injury, this device must be disconnected from all power sources prior to initiating work.

**CAUTION:** When installing in a metal enclosure, maintain a ½" (12.7mm) min. clearance between exposed metal parts of contact and enclosure.

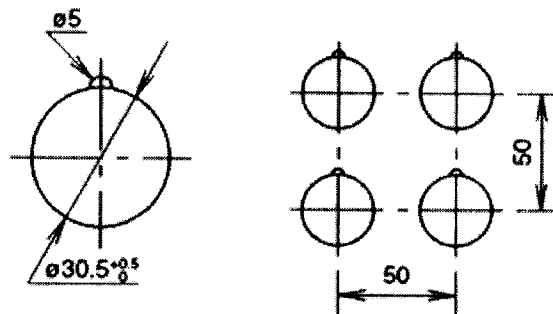
**NOTE:** For compliance with Semi S2 standards, EMO switches must be mounted between 33" and 64.5" from ground level.

### Installation

1. Place the unit (less mushroom head and mounting ring) through panel hole from backside of panel.
2. Optional : Install anti-rotation ring washer (included with switch) on front side of panel.
3. Install and tighten mounting ring. (45 in-lb)
4. Install and tighten mushroom head. (15 in-lb)



### Panel Cutout



Dimensions in mm