

HS5B/HS5E Door Handle Actuator

Key features:

- Easy and secure operation
- Rattling doors can be locked smoothly and securely.
- A door can be locked with an actuator by pushing and turning the handle.
- Padlock tab is provided to ensure operator safety.
- Interlock switch with or without solenoid lock can be installed.
- LED shows solenoid status (when using HS5E-□44L□□-G).

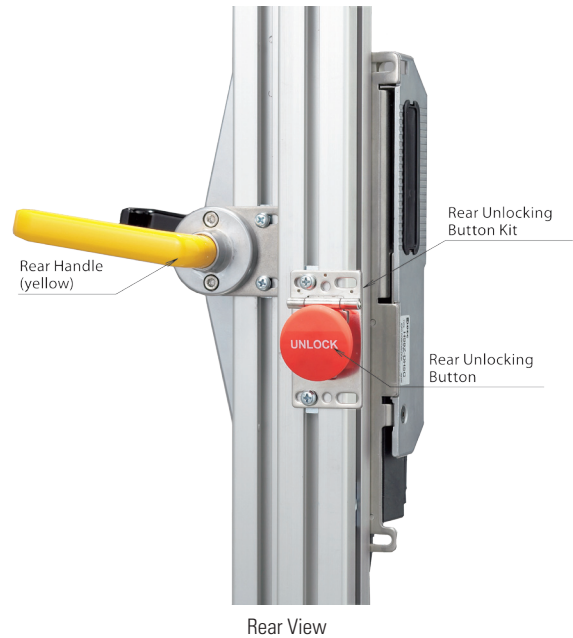
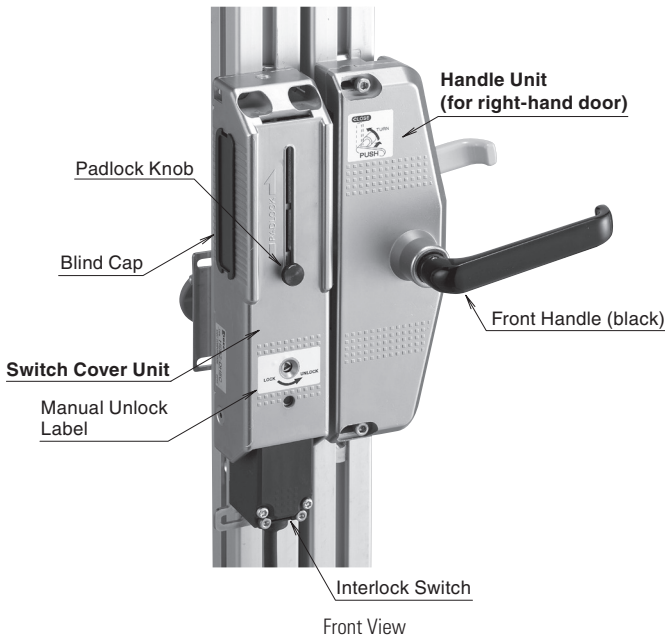


Part Numbers

| Description                            |                     | Ordering Type No. | Remarks  |
|--|---------------------|-------------------|--|
| Handle Unit                            | For right-hand door | HS9Z-DH5RH        | Choose according to the required opening side.           |
|  | For left-hand door  | HS9Z-DH5LH        |  |
| Switch Cover Unit                      |                     | HS9Z-DH5C         | Used for installing the interlock switch inside.         |
| HS5B Installation Kit                  |                     | HS9Z-DH5B         | Contains a mounting plate and two spacers.               |
| Rear Unlocking Button Kit <sup>1</sup> |                     | HS9Z-FL53         | Mounting panel thickness (X): 20 ≤ X ≤ 30mm <sup>2</sup> |
|  |                     | HS9Z-FL54         | Mounting panel thickness (X): 30 ≤ X ≤ 40mm <sup>2</sup> |

1. Use the kit in combination with the HS5E-□44L□□-G rear unlocking button type interlock switch.
2. Mounting panel is a frame or a panel.

Parts Description



Overview

XW Series E-Stops

Interlock Switches

Enabling Switches

Safety Control Relays

Light Curtains

AS-Interface Safety at Work

## Specifications

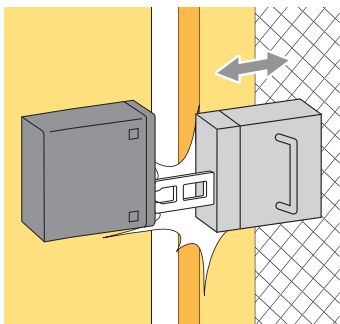
|  |  |
|--|--|
| Applicable Interlock Switch            | HS5B Metal Head Interlock Switch <sup>1</sup><br>HS5E Rear Unlocking Button Type Interlock Switch with Solenoid <sup>2</sup> |
| Operating Temperature                  | -25 to +70°C (no freezing)   |
| Mechanical Durability                  | 100,000 operations minimum   |
| Applicable Shackle Diameter of Padlock | ø6 to 7.5 mm   |
| Withstand Load of Padlock Tab          | 30N maximum  |
| Handle Operation Angle                 | 77° (removed position ←→ inserted position)  |
| Insulation Resistance (500V DC megger) | Between live and dead metal parts: 100 MΩ minimum<br>Between terminals of different poles: 100 MΩ minimum.                   |



1. HS5B-□□ZB, HS5B-□□ZBM
  2. HS5E-□44L□□-G
- Interlock switch is not supplied with the actuator and must be ordered separately.  
For the specifications of interlock switches, see pages XX, XX, and XX.

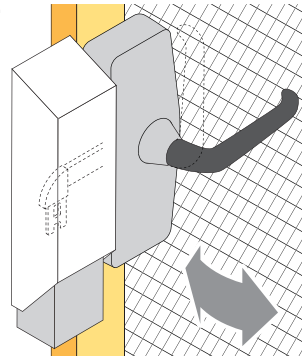
### Rotational handle actuator can be inserted/removed smoothly on rattling doors.

#### Conventional Sliding Actuator



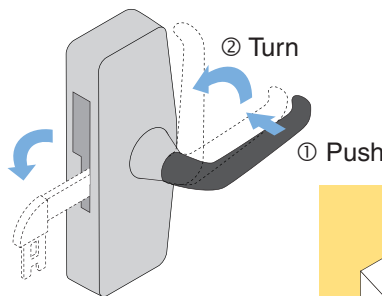
#### IDEC's Door Handle Actuator

Rattling doors can be locked smoothly and securely.

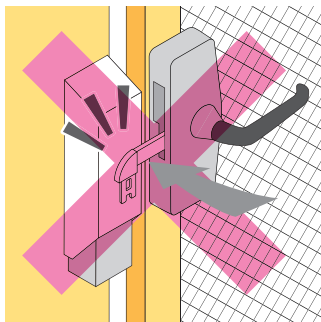
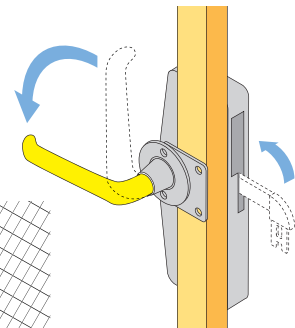


### The door can be locked and unlocked by pushing and turning the handle.

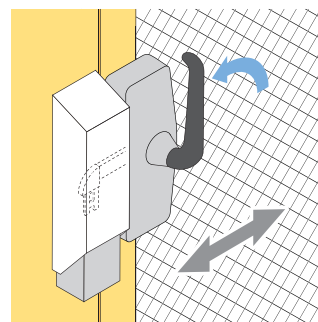
The actuator can be inserted into the interlock switch by pushing and turning the front handle. The actuator can be removed from the interlock switch by turning the front handle.



The rear handle can remove the actuator, but cannot insert the actuator.



Because the handle can be turned only while it is pushed, the actuator is prevented from hitting the switch cover unit.

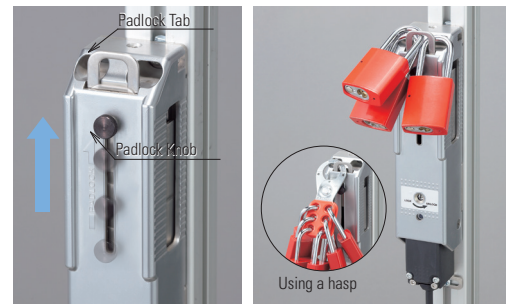


Sliding doors can also be locked securely.

### Padlockable tab ensures operator's safety.

When padlocks are installed on the padlock tab, the machine cannot be started because the actuator entry slot is blocked and the actuator cannot enter the interlock switch. By requiring all operators to have their own padlock and installing them on the door handle actuator before entering the hazardous area, the door will not be closed unless all padlocks are removed—i.e. all operators have left the hazardous area.

Note: Operators must observe rules in the workplace in order to ensure safety. Residual risk such as failure to install padlocks must be taken into consideration.



### Interlock switch with/without solenoid locking can be selected.

HS5E



(HS5E-□44L□□-G)

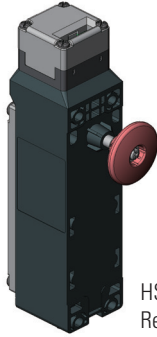
HS5B



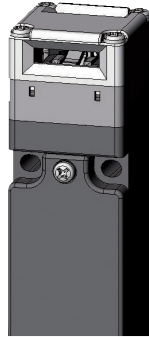
(HS5B-□□Z)

Door Handle Actuator Configuration

Interlock Switches



HS5E-□44L□□-G  
Rear Unlocking  
Button Type



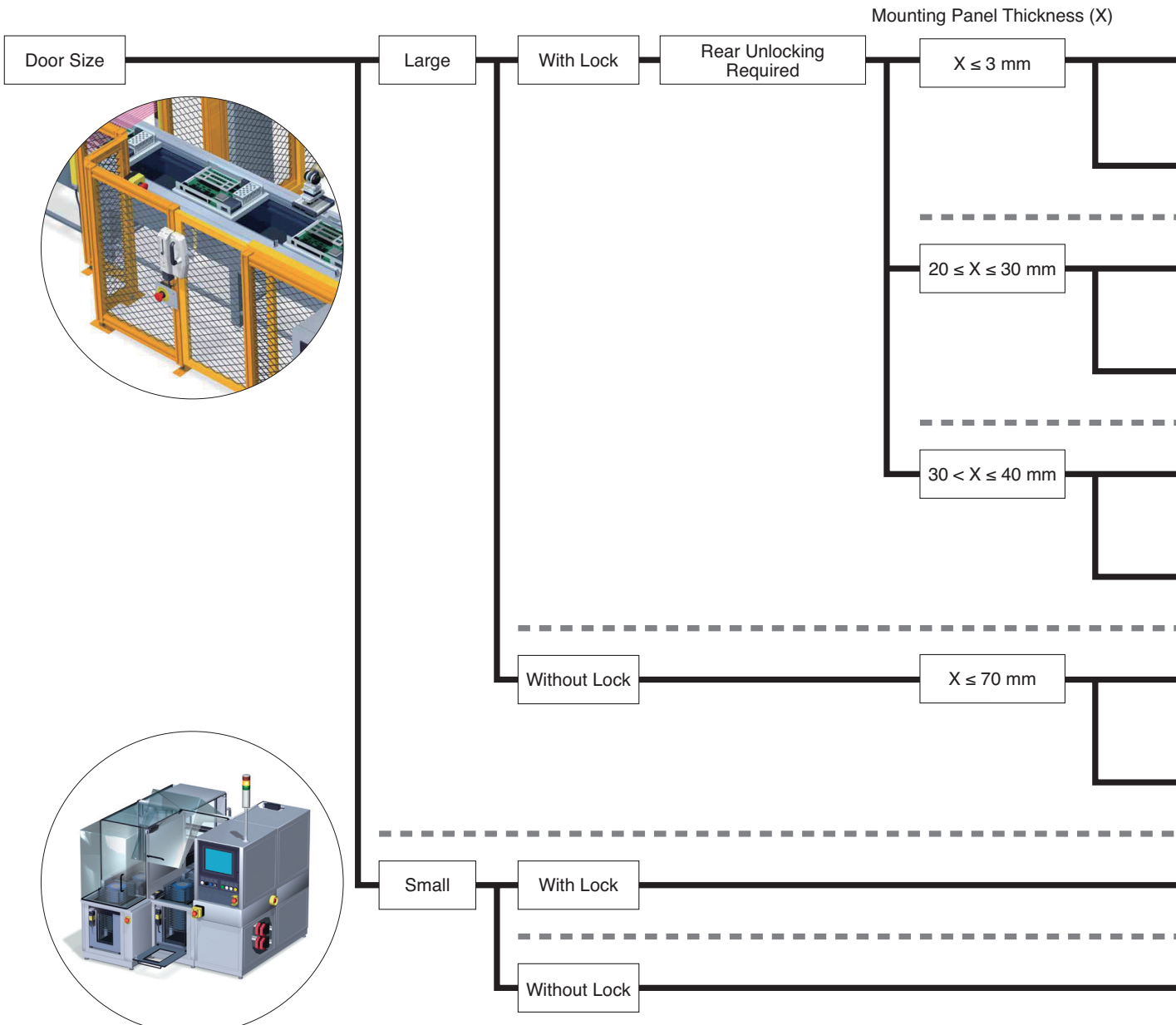
HS5B-□□Z  
Metal Head Type

Switch Cover Unit



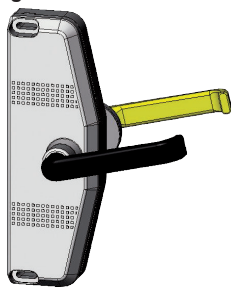
HS9Z-DH5C

Selection Chart



### Handle Unit

Right-hand Door



HS9Z-DH5RH

Left-hand Door



HS9Z-DH5LH

### Accessories

Rear Unlocking Button Kit



HS9Z-FL53  
HS9Z-FL54

HS5B Installation Kit



HS9Z-DH5B

Overview

XW Series E-Stops

Interlock Switches

Enabling Switches

Safety Control Relays

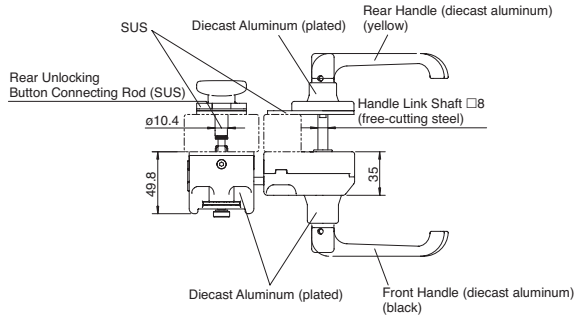
Light Curtains

AS-Interface Safety at Work

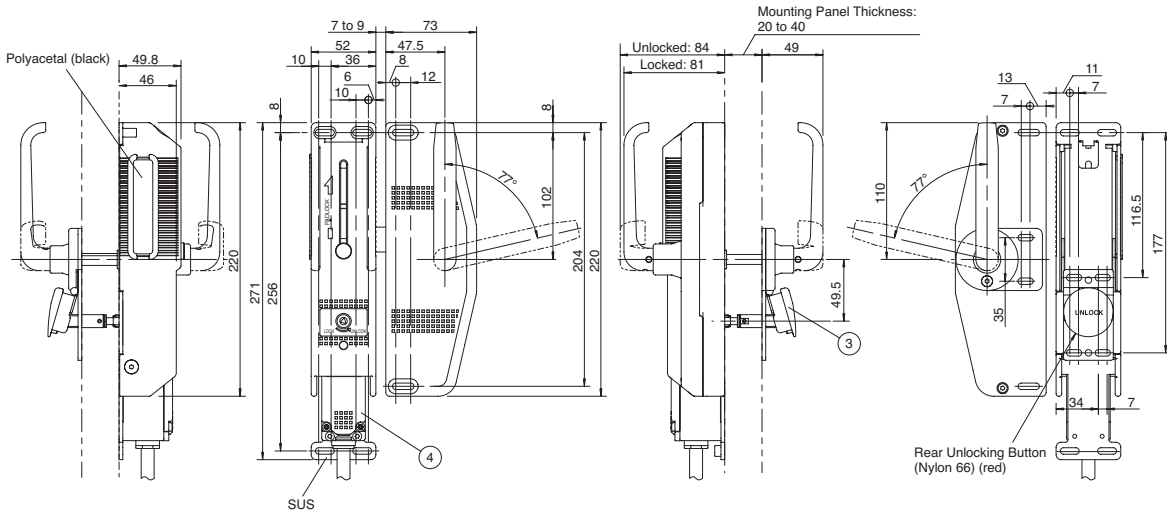
|                           | Handle Unit |   | Switch Cover Unit |   | Accessories                         |   | Interlock Switch                        |                            |
|---------------------------|-------------|---|-------------------|---|-------------------------------------|---|---|----------------------------|
| Right-hand Door           | HS9Z-DH5RH  | + |                   | + |                                     | + |   |                            |
| Left-hand Door            | HS9Z-DH5LH  | + |                   | + |                                     |   |   |                            |
| Right-hand Door           | HS9Z-DH5RH  | + | HS9Z-DH5C         | + | Rear Unlocking Button Kit HS9Z-FL53 | + | HS5E-44L-G (Rear Unlocking Button Type) |                            |
| Left-hand Door            | HS9Z-DH5LH  | + |                   | + |                                     |   |   |                            |
| Right-hand Door           | HS9Z-DH5RH  | + |                   | + | Rear Unlocking Button Kit HS9Z-FL54 | + |   |                            |
| Left-hand Door            | HS9Z-DH5LH  | + |                   | + |                                     |   |   |                            |
| Right-hand Door           | HS9Z-DH5RH  | + |                   | + | HS5B Installation Kit HS9Z-DH5B     | + | HS5B-**Z (Metal Head Type)              |                            |
| Left-hand Door            | HS9Z-DH5LH  | + |                   | + |                                     | + | HS5E (All types)                        |                            |
| Sliding Actuator HS9Z-SH5 |             | + |                   |   | +                                   |   | +                                       | HS5B-**Z (Metal Head Type) |

Dimensions (mm)

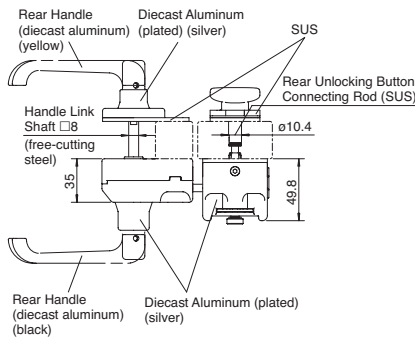
HS9Z-DH5RH (right-hand door) and HS5E-□44L□□-G Interlock Switch with Solenoid



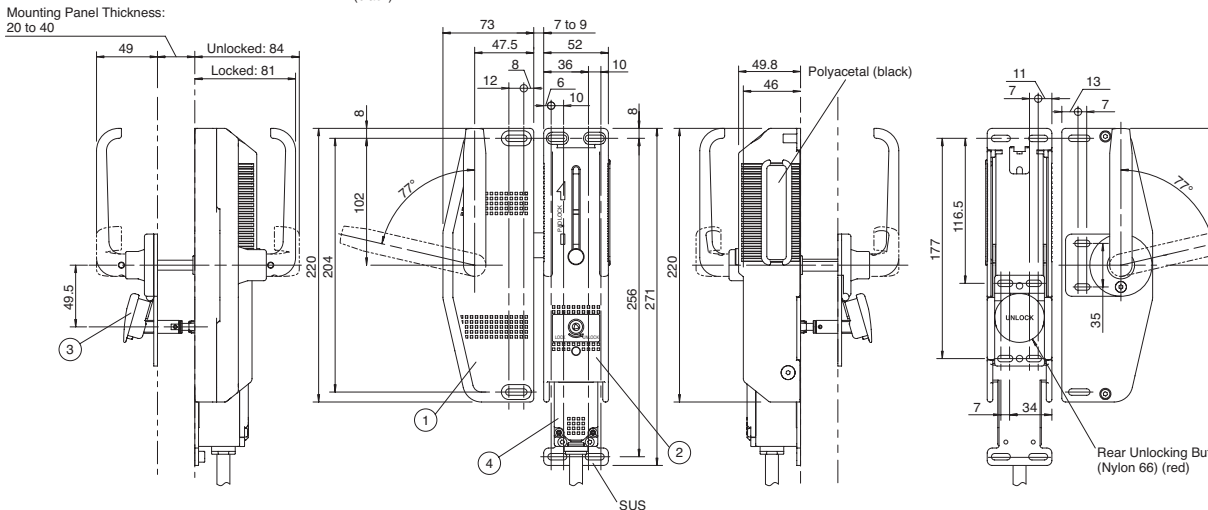
| Legend | Description                            |
|--------|--|
| 1      | Right-hand Door Handle Unit HS9Z-DH5RH |
| 2      | Switch Cover Unit HS9Z-DH5C            |
| 3      | Rear Unlocking Button Kit HS9Z-FL5□    |
| 4      | Interlock Switch HS5E-□44L□□-G         |



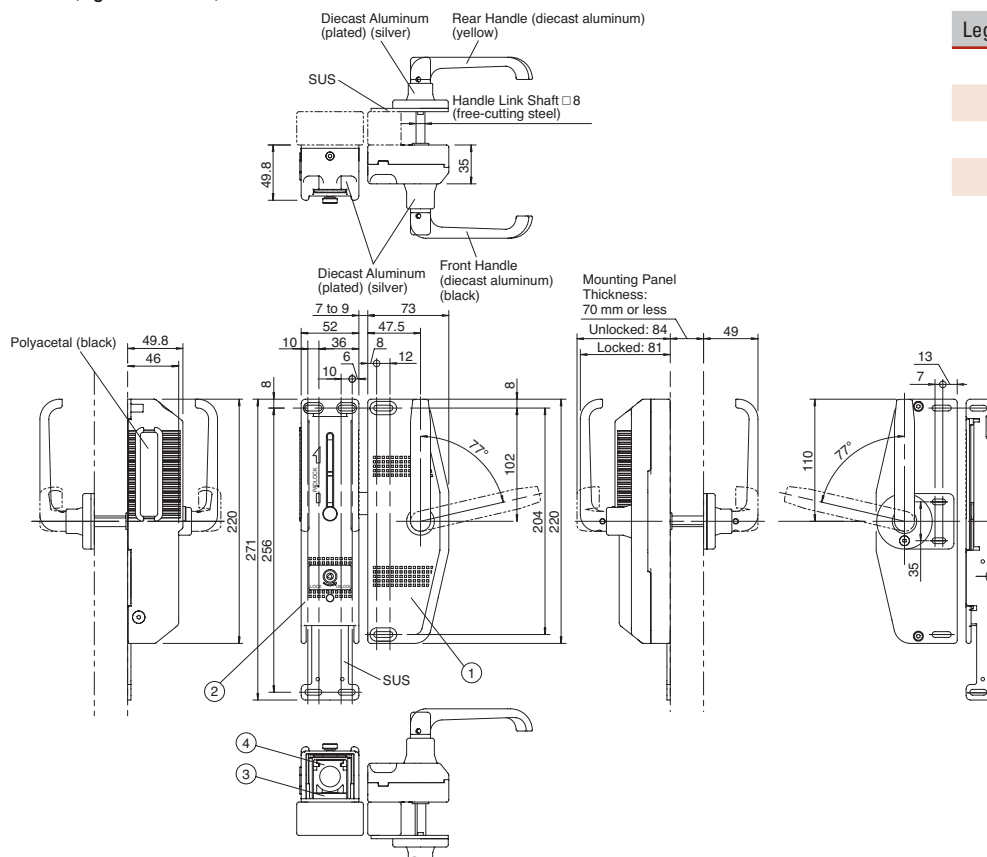
HS9Z-DH5LH (left-hand door) and HS5E-□44L□□-G Interlock Switch with Solenoid



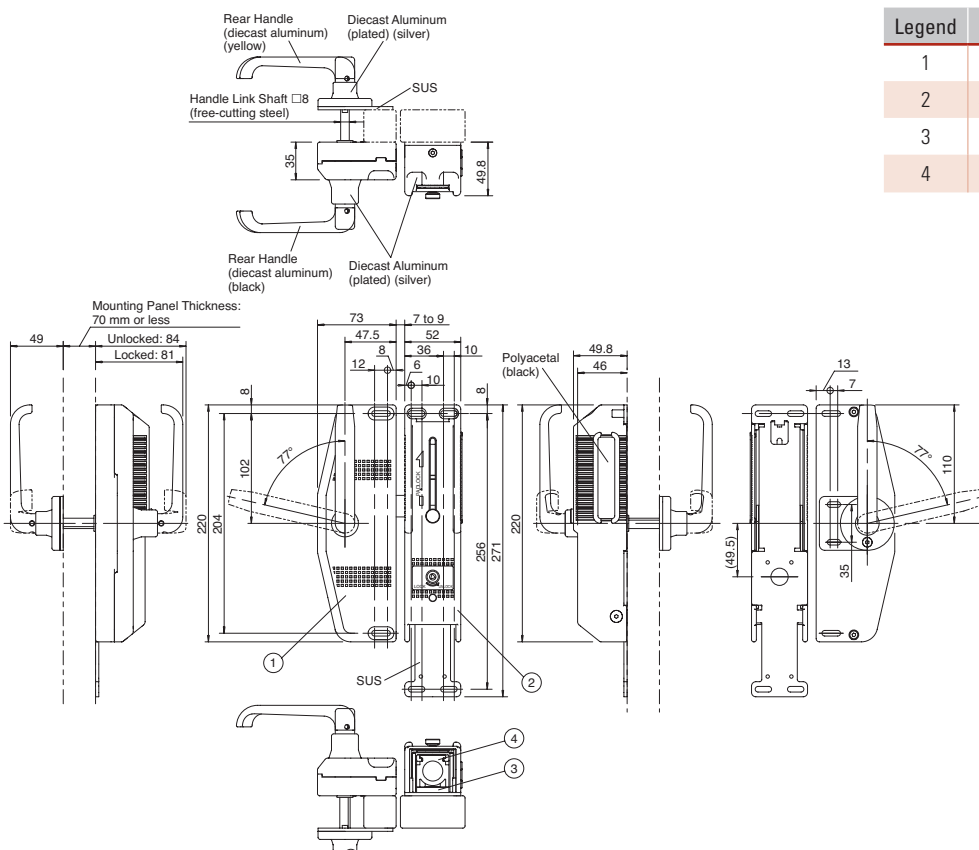
| Legend | Description                           |
|--------|---------------------------------------|
| 1      | Left-hand Door Handle Unit HS9Z-DH5LH |
| 2      | Switch Cover Unit HS9Z-DH5C           |
| 3      | Rear Unlocking Button Kit HS9Z-FL5□   |
| 4      | Interlock Switch HS5E-□44L□□-G        |



## HS9Z-DH5RH (right-hand door) and HS5B-□□Z Interlock Switch



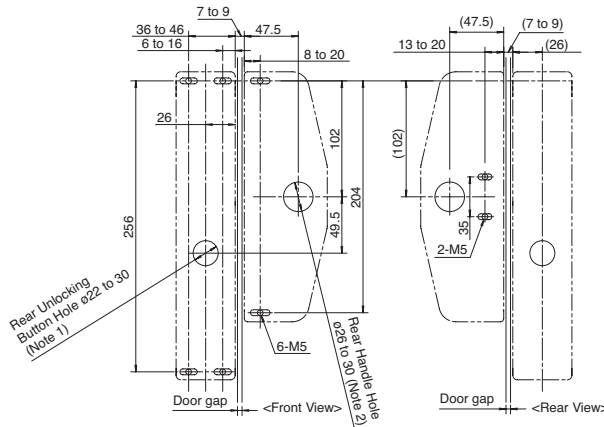
## HS9Z-DH5LH (left-hand door) and HS5B-□□Z Interlock Switch



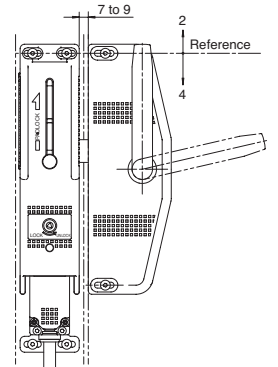
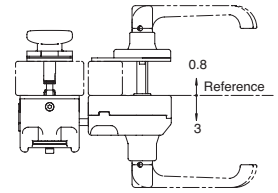
**Panel Cut-out**  
**HS9Z-DH5RH right-hand door handle unit**

When using the HS5E-□44L□□-G on the mounting panel of 3 mm or less in thickness (use the rear unlocking button).

When using the HS5B-□Z (mounting panel thickness  $X \leq 70\text{mm}$ ).

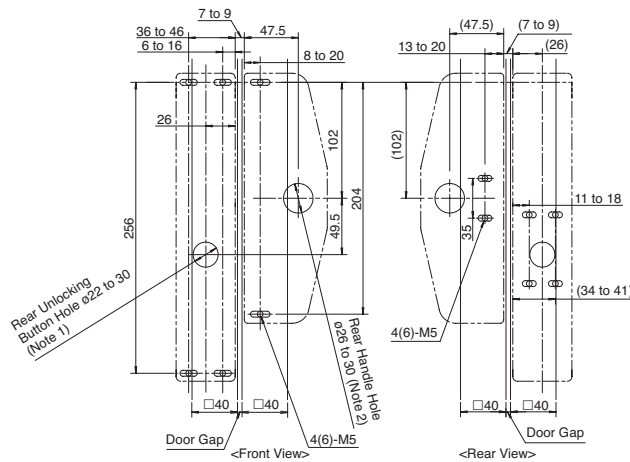


Mounting Position Tolerance



When using the HS5E-□44L□□-G on the mounting panel of 20 to 40 mm in thickness.

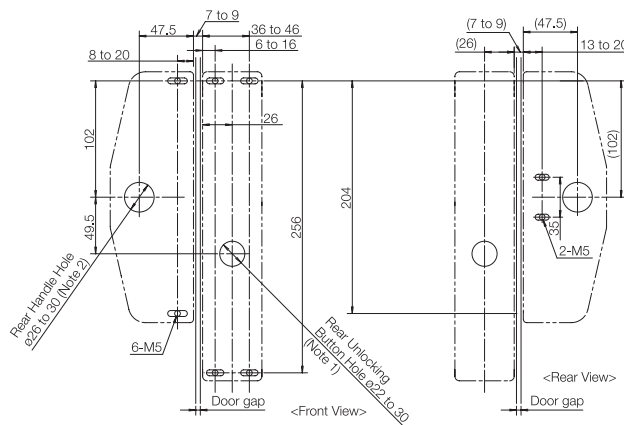
- Use the rear unlocking button kit (HS9Z-FL5□).
- In the figure shown on the right, □40mm frame is used.



**HS9Z-DH5LH left-hand door handle unit**

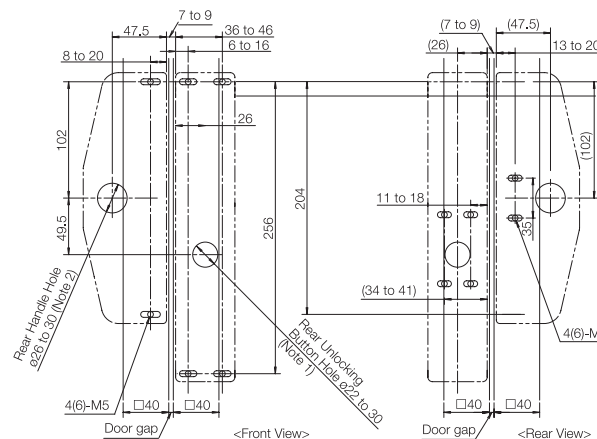
When using the HS5E-□44L□□-G on the mounting panel of 3 mm or less in thickness (use the rear unlocking button).

When using the HS5B-□Z (mounting panel thickness  $X \leq 70\text{mm}$ ).



When using the HS5E-□44L□□-G on the mounting panel of 20 to 40 mm in thickness.

- Use the rear unlocking button kit (HS9Z-FL5□).
- In the figure shown on the right, □40mm frame is used.



Note 1: Required when using the HS5E-□44L□□-G.  
Not required when using the HS5B-□□Z (without locking function).  
Note 2: Ensure that the hole in the mounting panel does not interfere with the rear handle shaft.

Overview

XW Series E-Stops

Interlock Switches

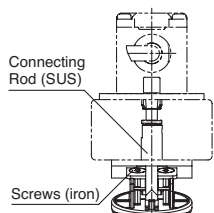
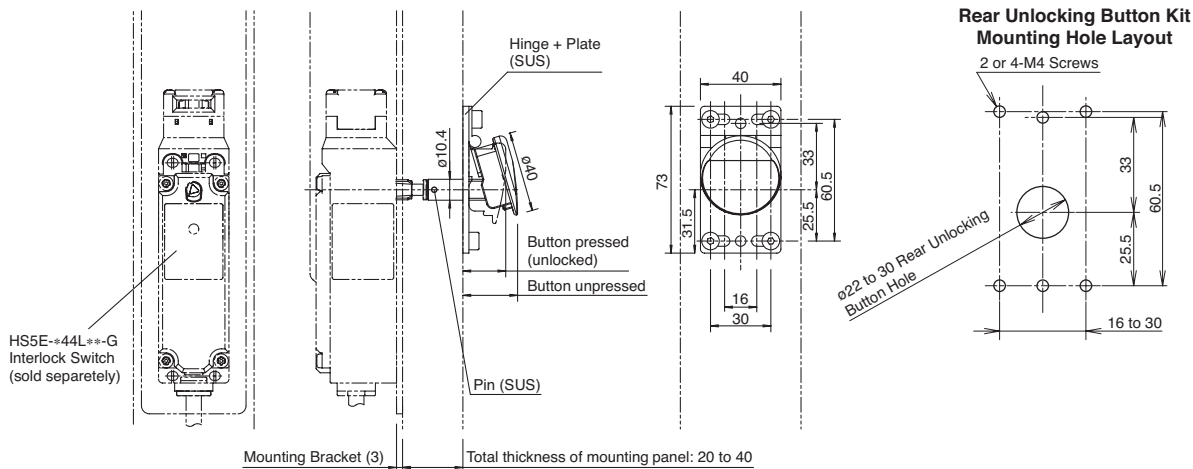
Enabling Switches

Safety Control Relays

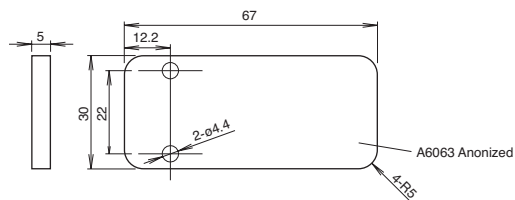
Light Curtains

AS-Interface Safety at Work

**Rear Unlocking Button Kit (HS9Z-FL53/HS9Z-FL54) (Use with the HS5E-\*44L\*\*G Interlock Switch)**



**HS5B Installation Kit (HS9Z-DH5B)**



Note: The illustration kit contains the aluminum mounting plate shown above and two spacers.

**For more information, download instruction sheet from web.**