

Option Attachment "VF1A-ADP2" Option Attachment "VF1A-ADP3"

Thank you for purchasing option attachment "VF1A-ADP2" or "VF1A-ADP3".
Built-in option cards (sold separately) can be used by installing these attachments in the Doesa VF1A series.

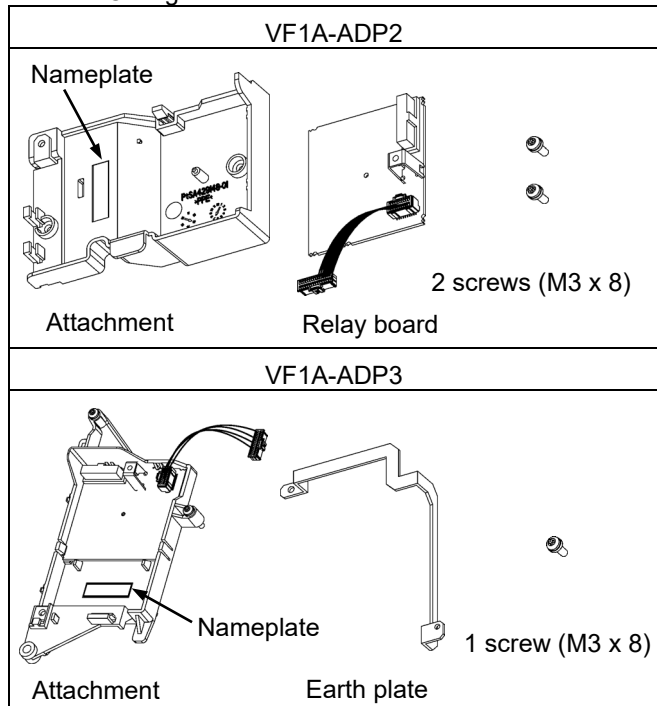
1. Product Check

Check the following items.

- (1) Check the model on the nameplate to ensure that the product is the same as the one ordered.
- (2) Ensure that the package contains the attachment and accessories.
- (3) Ensure that neither the attachment nor accessories have been damaged or dented during transport.
 - ☞ Refer to "1.1 Product Configuration" for details on the nameplate attachment position and accessories.

If you have any doubts about the product, or if any defects are discovered, please contact your dealer or nearest IDEC sales office.

1.1 Product Configuration



2. Specifications

The applicable range for this product is as follows.

2.1 Applicable Models

Refer to the User's manual of a target inverter.

2.2 Number of Installable Built-in Option Cards

1 card

3. Installation Method

⚠ WARNING

Before carrying out installation and wiring, wait for the time shown in a target inverter's instruction manual to elapse. Finally, ensure that the LED monitor and charge lamp have turned OFF, and use a tester to confirm that the DC relay circuit voltage across main circuit terminals P(+) to N(-) has dropped to a safe level (+25 VDC or below).

Failure to observe this could lead to electric shock.

- (1) Remove the inverter unit cover to expose control board connector CN3 (Fig. 1).
 - ☞ Refer to the inverter unit instruction manual for details on how to remove the cover.
- (2) Install the attachment on the inverter unit.
 - ☞ Refer to "3.1 Installation Procedure Details" for the detailed procedure.
- (3) Install the option card in the attachment.
 - (Option cards are sold separately.)
 - ☞ Refer to "3.2 Option Card Installation Procedure" for the detailed procedure.
- (4) Wire the option card.
 - ☞ Refer to the instruction manual for each option card for details on the wiring method.
- (5) Replace the inverter unit cover.
 - ☞ Refer to the inverter unit instruction manual for details on how to reattach the cover.

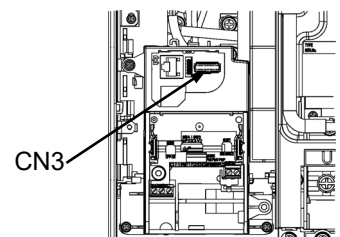
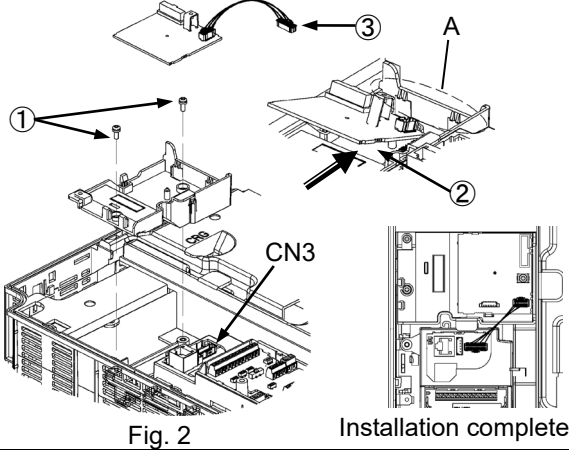


Fig. 1

3.1 Installation Procedure Details

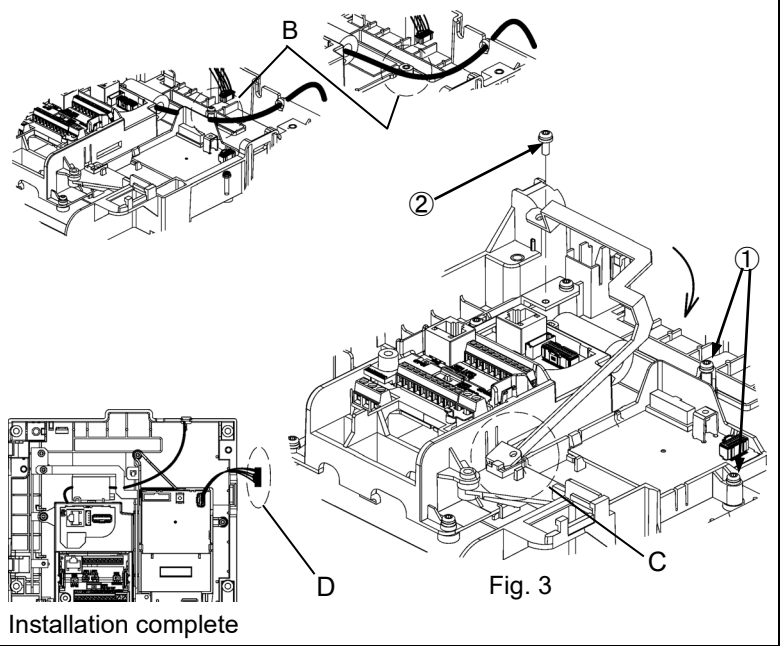
<<VF1A-ADP2>>

- (1) Secure the attachment to the inverter unit with the screws provided.
(Tightening torque: 0.7 N·m)
* The attachment will be hidden when the relay board is installed, and therefore care should be taken not to forget this step.
- (2) Insert the relay board into part A, and push until it clicks into place.
* Pay attention to the relay board direction.
- (3) Insert the connector from the relay board into control board connector CN3.
* Please make insertion and removal of the cable to CN3 into 5 times or less.



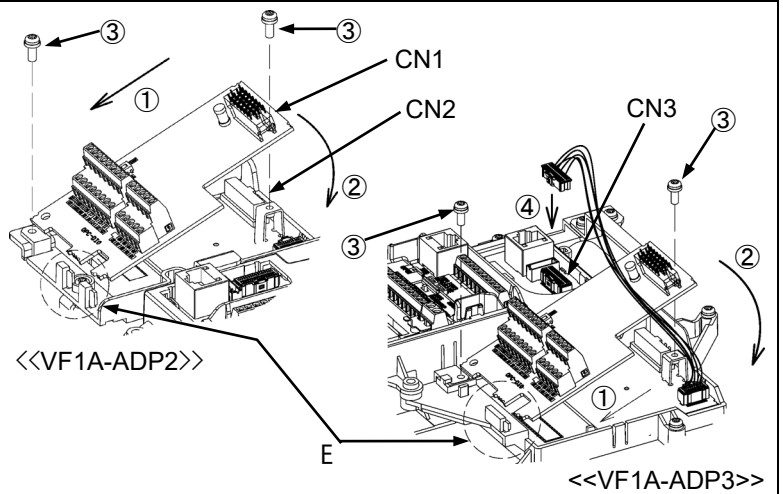
<<VF1A-ADP3>>

- (1) Pass the attachment below the part B (Fig. 3) cable, and secure to the inverter unit with the screws (M3) (2 locations) attached to the attachment. (Tightening torque: 0.7 N·m)
 - (2) Insert the earth plate into part C (Fig. 3), and secure to the inverter unit earth plate with the screws provided. (Tightening torque: 0.7 N·m)
- ☞ Refer to step (4) in "3.2 Option Card Installation Procedure" for connector D.



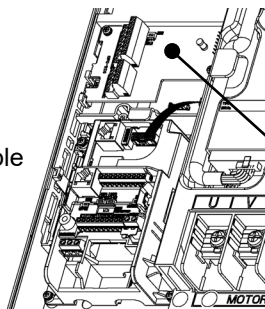
3.2 Option Card Installation Procedure (E.g., When Installing VF1A-DIO)

- (1) Insert the option card into the part E gap.
- (2) Insert option card connector CN1 into relay board connector CN2.
- (3) Secure the option card with the screws provided. (2 locations)
(Tightening torque: 0.7 N·m)
- (4) (VF1A-ADP3 only)
Insert the relay board cable into control board connector CN3.
* Please make insertion and removal of the cable to CN3 into 5 times or less.



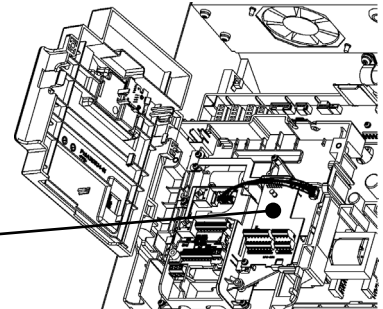
Installed VF1A-DIO

VF1A-G72A0S4 example



VF1A-G139AS4 example

VF1A-DIO



IDEC CORPORATION

2-6-64, Nishimiyahara, Yodogawa-ku, Osaka 532-0004, Japan
URL <https://www.idec.com>

April, 2022

B-2308(0)

INR-SI47-1802a-JE