



# External Device Setup Manual



SmartAXIS FT2J/1J

MICRO/I HG2J/1J, HG5G/4G/3G/2G-V,  
HG4G/3G, HG2G-5F/-5T, HG1G/1P

Confirm that the delivered product is what you have ordered. Read this manual to make sure of correct operation.

## SAFETY PRECAUTIONS

- Be certain to read this manual, the WindO/I-NV4 User's manual, and the SmartAXIS Hardware manual or MICRO/I Hardware manual carefully before performing installation, wiring, or maintenance work, or operating the integrated display controller SmartAXIS FT2J/1J (Hereinafter referred to as "SmartAXIS") and the operator interface MICRO/I HG2J/1J, HG5G/4G/3G/2G-V, HG4G/3G, HG2G-5F/-5T, HG1G/1P (Hereinafter referred to as "MICRO/I"). If this product is used in a manner not specified by the manufacturer, the protection provided by the equipment may be impaired.
- This product has been manufactured with careful regard to quality. However, if you intend to use this product in applications where failure of this equipment may result in damage to property or injury, ensure that it used in conjunction with appropriate fail-safe backup equipment.
- Care should be taken such that unauthorized access to this product does not come from outside network connections. Please note that the Company shall not be liable for any loss, damage or other expenses incurred directly or indirectly by unauthorized access, etc.
- In this manual, safety precautions are categorized in order of importance to Warning and Caution:

 <b>WARNING</b>	Warning notices are used to emphasize that improper operation may cause severe personal injury or death.
 <b>CAUTION</b>	Caution notices are used where inattention might cause personal injury or damage to equipment.

### **WARNING**

#### **SmartAXIS, MICRO/I (Common to all models):**

- This product is not designed for use in applications requiring a high degree of reliability and safety, such as applications for medical devices, nuclear power, railroads, aerospace, and automotive devices. This product should not be used for such applications.
- Turn off the power to this product before installation, removal, wiring, maintenance, and inspection of this product. Failure to turn power off may cause electrical shock or fire hazard.
- Special expertise is required to install, wire, configure, and operate this product. People without such expertise must not use this product.
- This product uses an LCD (liquid crystal display) as a display device. The liquid inside the LCD is harmful to the skin. If the LCD is broken and the liquid attaches to your skin or clothes, wash the liquid off using soap, and consult a doctor immediately.
- An emergency circuit by using an emergency stop switch or an interlocking circuit must be configured outside of this product.
- Do not use touch switches, the function keys and selector switches for an emergency circuit or an interlocking circuit. If this product fails, equipment connected to this product will no longer be protected, and serious injury to operators and equipment damage may be caused.
- Stop using this product if it is accidentally dropped or exposed to significant shock, check this product for damage, and confirm that its various functions work safely and correctly.
- For this product, connect the FG wire to grounding resistance of 100  $\Omega$  or less. Otherwise there is a risk of electric shock or mistaken operation.
- The screen will not be visible if the backlight of this product burns out. However, the touch panel and the function keys will remain functional. Thus, erroneous touch panel operation or function key operation may occur while controlling the touch panel. Because such erroneous operations could result in damage, the touch panel and the function key should not be used once the backlight is burned out.

#### **FT2J/1J:**

- If relays or transistors in this product output circuits should fail, outputs may remain at on or off state. For output signals which may cause serious accidents, configure monitor circuits outside this product.
- This product self-diagnostic function may detect internal circuit or program errors, stop programs, and turn outputs off. Configure circuits so that the system containing this product is not jeopardized when outputs turn off.

#### **HG5G/4G/3G/2G-V, HG4G/3G, HG2G-5F/-5T, HG1G/1P:**

- When more than one button is pressed at the same time, due to the detection characteristics of the analog type touch panel used in this product, only the center of the pressed area is sensed and the unit assumes that only one button is pressed. Therefore, do not operate this product by pressing more than one button simultaneously.

 **WARNING**
**HG1P:**

- For the emergency stop switch and the enabling switch on this product, note the following points:
  - Connect the emergency stop switch to function as either a category 0 or category 1 stop in accordance with EN60204-1.
  - Perform regular checks to confirm that the emergency stop switch and enabling switch work properly. It is extremely dangerous if the enabling switch no longer returns to position 1 due to a foreign object becoming lodged in the switch.
  - Do not, under any circumstances, hold the enabling switch in position 2 with tape, string, or deform the rubber cover. The function of the enabling switch will be lost, and the enabling switch may not work in an emergency.
  - Place your finger firmly on the enabling switch.
- The emergency stop switch function is disabled when this product is removed from the machine. To eliminate the possibility of accidents caused by operating the disabled emergency stop switch, place this product, removed from the machine, in a location that is not visible to the operator. Install at least one emergency stop switch on the machine near the location where this product is connected.

 **CAUTION**
**SmartAXIS, MICRO/I (Common to all models):**

- Prevent this product from falling while moving or transporting, otherwise damage or malfunction of this product will result.
- Use the product within the environmental limits given in the catalog and manual. Use of the product in high-temperature or high-humidity environments, or in locations where it is exposed to condensation, corrosive gas or large shock loads can create the risk of electrocution and fire.
- This product is designed for use in pollution degree 2. Use this product in environments of pollution degree 2. (based on the IEC60664-1 rating)
- Install this product according to the instructions. Improper installation will result in falling, failure, electrical shock, fire hazard, or malfunction of this product.
- Prevent metal fragments or wire chips from dropping inside this product housing. Ingress of such fragments and chips may cause fire hazard, damage, and malfunction.
- Use a power supply of the rated value. Using a wrong power supply may cause fire hazard.
- When exporting this product to Europe, use an EN60127 (IEC60127) approved fuse on the power line outside this product.
- When exporting this product to Europe, use an EU-approved circuit protector.
- Make sure of safety before starting and stopping this product. Incorrect operation of this product may cause mechanical damage or accidents.
- This product cannot be directly connected to the communication lines (including public wireless LAN) of telecommunication carriers (mobile communication companies, fixed-line communication companies, Internet providers, etc.). When connecting this product to the Internet, be sure to connect via a device, such as a router.
- The touch panel of this product is made of glass, and will break if exposed to excessive shock. Take due care when handling it.
- The protective film attached to the display of this product is to protect the product from scratches during transportation. Please remove the protective film before use. If the display is used with protective film, the film may become cloudy and stick to the display depending on the usage environment and may become unremovable.
- Do not push hard or scratch the touch panel and protection sheet with a hard object such as a tool, because they are damaged easily.
- Do not use or store this product in areas subjected to strong ultraviolet rays.
- Do not attempt to disassemble, repair or modify this product. This can create the risk of fire or electrocution.
- When disposing of this product, do so as an industrial waste.
- When using this product in a system that requires clock accuracy, set the time regularly.
- Do not switch off the power or pull out the SD Memory Card or the USB flash drive while it is being accessed, as this may result in destruction of the stored data. If the data on the SD Memory Card or the USB flash drive is corrupted, format the SD Memory Card or the USB flash drive.
- Turn off the power supply to this product before connecting or disconnecting USB devices other than USB memory.

**FT2J/1J, HG2J/1J:**

- This product uses "PS2 of EN61131" as DC power supply. (based on the IEC/EN61131 rating)
- Use wire of a proper size to meet the voltage and current requirements.

**HG5G/4G/3G/2G-V, HG4G/3G, HG2G-5F/-5T, HG1G:**

- This product uses "PS2 of EN61131" as DC power supply. (based on the IEC/EN61131 rating)
- Use wire of a proper size to meet the voltage and current requirements, and tighten the terminal screws of this product to the specified tightening torque.

**HG5G/4G/3G/2G-V, HG4G/3G, HG2G-5F:**

- Be sure to confirm that the SD Memory Card Access lamp is not lit prior to turning the power off to this product or pulling out the SD memory card. Refer to WindO/I-NV4 User's Manual for details.

**HG1P:**

- Use the HG1P optional cable for proper wiring.
- The D-sub connector on the end of the HG1P optional cable is not water-or dust-proof. If protection against water and dust is required, the user must replace the D-sub connector with a water-proof connector.

## Revision history

August 2015:	First Edition
May 2016:	Second Edition
July 2016:	Third Edition
January 2017:	Fourth Edition
June 2017:	Fifth Edition
August 2017:	Sixth Edition
December 2017:	Seventh Edition
March 2018:	Eighth Edition
June 2018:	Ninth Edition
March 2019:	Tenth Edition
August 2019:	Eleventh Edition
December 2019:	Twelfth Edition
July 2020:	Thirteenth Edition
December 2020:	Fourteenth Edition
March 2021:	Fifteenth Edition
January 2022:	Sixteenth Edition
June 2022:	Seventeenth Edition
June 2023:	Eighteenth Edition
September 2023:	Nineteenth Edition
July 2024:	Twentieth Edition

## Caution

- The contents of this manual and the WindO/I-NV4 application are copyright, and all rights are reserved by IDEC Corporation. Unauthorized reproduction is prohibited.
- The contents of this manual and the WindO/I-NV4 application are subject to change without notice.
- IDEC Corporation accepts no responsibility for circumstances arising from the use of this manual or the WindO/I-NV4 application.
- Please contact your vendor or IDEC Corporation with any problems regarding the operation of this product.

## Trademarks

WindO/I, MICRO/I and SmartAXIS are registered trademarks of IDEC CORPORATION in JAPAN.






All other company names and product names used in this manual or the WindO/I-NV4 application are trademarks of their respective owners.

This product adopts the font of Ryobi.

## Symbols Used in this Document

This manual uses the following symbols to facilitate description.

### Symbols

-  ..... Information that requires special attention. Failure to operate the product in accordance with the information provided can lead to serious injury or damage.
-  ..... Information relating to requests or material to reference in the use of a function.
-  ..... Useful information relating to a function.
-  ..... Indicates the chapter and page of related reference information.
- OK** ..... Screen buttons are indicated by **bold** text or by using the actual graphic icon.
- SHIFT,  ..... Keyboard keys are indicated by the keyboard inscription in capital letters or enclosed in square brackets.
- \*\*\*\* ..... Controls are indicated by **bold** text.

## Abbreviations, Generic Terms, and Terminology Used in this Manual

Item	Description
FT2J	The name is short for SmartAXIS FT2J-7U22*AF-*.
FT1J	The name is short for SmartAXIS FT1J-4F1**AG-*.
HG2J	The name is short for MICRO/I HG2J-7UT22TF-B.
HG1J	The name is short for MICRO/I HG1J-4FT22TG-*.
HG5G-V	The name is short for MICRO/I HG5G-VFXT22MF-B.
HG4G-V	The name is short for MICRO/I HG4G-VCXT22MF-B.
HG4G	The name is short for MICRO/I HG4G-CJT22*F-B.
HG3G-V	The name is short for MICRO/I HG3G-V*XT22MF-*.
HG3G	The name is short for MICRO/I HG3G-*JT22*F-*.
HG2G-V	The name is short for MICRO/I HG2G-V5FT22TF-*.
HG2G-5F	The name is short for MICRO/I HG2G-5FT22TF-*.
HG2G-5T	The name is short for MICRO/I HG2G-5T*22TF-*.
HG1G	The name is short for MICRO/I HG1G-4VT22TF-*.
HG1P	The name is short for MICRO/I HG1P-ST32*BFH-B0.
FT2J/1J	The format used to refer to FT2J and FT1J.
HG2J/1J	The format used to refer to HG2J and HG1J.
HG5G/4G/3G/2G-V	The format used to refer to HG5G-V, HG4G-V, HG3G-V and HG2G-V.
HG5G/4G/3G-V	The format used to refer to HG5G-V, HG4G-V and HG3G-V.
HG4G/3G	The format used to refer to HG4G and HG3G. HG4G-V and HG3G-V is not included.
HG2G-5F/-5T	The format used to refer to HG2G-5F and HG2G-5T.
HG1G/1P	The format used to refer to HG1G and HG1P.
SmartAXIS	Generic term for FT2J/1J.
MICRO/I	Generic term for HG2J/1J, HG5G/4G/3G/2G-V, HG4G/3G, HG2G-5F/-5T and HG1G/1P.
External device	Generic term used to refer to a PLC or micro computer that is connected to and communicates with the main unit.
Device Address	Memory that is capable of storing values in unit of bits or words loaded on the main unit and external device.
System Area	Device area that is pre-allocated for exchanging screen management, error information, and clock data between the main unit and external device.
Device Link Communication	A communication method that performs communication with the external device according to the setting of the screen and without a program.
DM Link Communication	A communication method that reads and writes value to external devices using the main unit's dedicated DM Link memory.
User Communication	A communication method which performs communication with external devices such as barcode readers and inverters.
External Device Communication	Generic term used to refer to Device Link Communication and DM Link Communication.
O/I Link	A connection format that enables connections of up to 16 units of the main unit with high-speed communication of 115,200bps.
O/I Link Master	The main unit that is directly connected to external device on the O/I Link network.
O/I Link Slave	The main units that are not directly connected to external device on the O/I Link network.
WindO/I-NV4	Integrated configuration software application for creating projects of the main unit.
Project	All data including screen data for operating the main unit created by WindO/I-NV4.
System Settings	Generic term used to refer to the common settings in the project.
Project Settings	Basic settings of operation in the System Settings.
Script	A script is an executable list of commands created by a simple programming language.

Item	Description
Maintenance Communication	Communications between the WindO/I-NV4 and the main unit using a dedicated protocol.
Pass-through	A function that enables maintenance of the external device via the main unit.
System Screen	Pre-allocated screen dedicated for performing initial setting of the main unit, self-diagnosis, and clearing the log data etc.
External Memory Device	The generic term for an SD memory card and a USB flash drive.
Internal Device	The generic term for internal device addressing on the main unit such as internal relays, registers, etc.
Keep Device	The generic term for internal device not initialized at the start of operation. Even after the power is turned off, the values are retained by the battery.



## Contents

SAFETY PRECAUTIONS .....	Preface-1
Revision history .....	Preface-4
Caution .....	Preface-4
Trademarks .....	Preface-4
Symbols Used in this Document .....	Preface-5
Abbreviations, Generic Terms, and Terminology Used in this Manual .....	Preface-6

### Chapter 1 Device Link Communication

1	Overview.....	1-1
2	Settings .....	1-2
3	Important Points Regarding Wiring.....	1-4
4	Compatible Devices and PLC List.....	1-5

### Chapter 2 Connection to External Devices

1	IDEC.....	2-1
	1.1 Connection Table.....	2-1
	1.2 Supported Function.....	2-5
	1.3 System Configuration .....	2-6
	1.4 Connection Diagram.....	2-11
	1.5 Environment Settings .....	2-22
	1.6 Usable Device Addresses .....	2-23
2	Mitsubishi Electric .....	2-25
	2.1 Connection Table.....	2-25
	2.2 Supported Function.....	2-30
	2.3 System Configuration .....	2-31
	2.4 Connection Diagram.....	2-39
	2.5 Environment Settings .....	2-51
	2.6 Usable Device Addresses .....	2-57
3	OMRON.....	2-69
	3.1 Connection Table.....	2-69
	3.2 System Configuration .....	2-72
	3.3 Connection Diagram.....	2-77
	3.4 Environment Settings .....	2-84
	3.5 Usable Device Addresses .....	2-89
4	Shibaura Machine.....	2-93
	4.1 Connection Table.....	2-93
	4.2 System Configuration .....	2-93
	4.3 Connection Diagram.....	2-94
	4.4 Environment Settings .....	2-97
	4.5 Usable Device Addresses .....	2-97
5	Allen-Bradley .....	2-98
	5.1 Connection Table.....	2-98
	5.2 System Configuration .....	2-100

	5.3	Connection Diagram .....	2-102
	5.4	Environment Settings .....	2-107
	5.5	Usable Device Addresses .....	2-110
	5.6	How to set Device Address for ControlLogix and CompactLogix series.....	2-123
	5.7	Device Addresses used for Logix Native Tag(Ethernet).....	2-125
	5.8	Tag Editor .....	2-131
6		JTEKT (Toyoda).....	2-136
	6.1	Connection Table.....	2-136
	6.2	System Configuration .....	2-137
	6.3	Connection Diagram .....	2-138
	6.4	Environment Settings .....	2-142
	6.5	Usable Device Addresses .....	2-143
7		SIEMENS .....	2-149
	7.1	Connection Table.....	2-149
	7.2	System Configuration .....	2-150
	7.3	Connection Diagram .....	2-151
	7.4	Environment Settings .....	2-155
	7.5	Usable Device Addresses .....	2-157
8		KEYENCE .....	2-162
	8.1	Connection Table.....	2-162
	8.2	System Configuration .....	2-163
	8.3	Connection Diagram .....	2-165
	8.4	Environment Settings .....	2-170
	8.5	Usable Device Addresses .....	2-172
9		Hitachi .....	2-175
	9.1	Connection Table.....	2-175
	9.2	System Configuration .....	2-176
	9.3	Connection Diagram .....	2-177
	9.4	Environment Settings .....	2-179
	9.5	Usable Device Addresses .....	2-180
10		GE Fanuc Automation.....	2-181
	10.1	Connection Table.....	2-181
	10.2	System Configuration .....	2-182
	10.3	Connection Diagram .....	2-184
	10.4	Environment Settings .....	2-189
	10.5	Usable Device Addresses .....	2-191
11		Panasonic .....	2-192
	11.1	Connection Table.....	2-192
	11.2	System Configuration .....	2-193
	11.3	Connection Diagram .....	2-196
	11.4	Environment Settings .....	2-202
	11.5	Usable Device Addresses .....	2-204
12		YASKAWA Electric.....	2-205
	12.1	Connection Table.....	2-205
	12.2	System Configuration .....	2-206
	12.3	Connection Diagram .....	2-207
	12.4	Environment Settings .....	2-214
	12.5	Usable Device Addresses .....	2-216

13	KOYO ELECTRONICS INDUSTRIES.....	2-217
	13.1 Connection Table.....	2-217
	13.2 System Configuration .....	2-218
	13.3 Connection Diagram.....	2-220
	13.4 Environment Settings .....	2-223
	13.5 Usable Device Addresses .....	2-225
14	FANUC .....	2-228
	14.1 Connection Table.....	2-228
	14.2 System Configuration .....	2-228
	14.3 Connection Diagram.....	2-229
	14.4 Environment Settings .....	2-230
	14.5 Usable Device Addresses .....	2-231
15	Yokogawa Electric .....	2-232
	15.1 Connection Table.....	2-232
	15.2 System Configuration .....	2-233
	15.3 Connection Diagram.....	2-234
	15.4 Environment Settings .....	2-237
	15.5 Usable Device Addresses .....	2-238
16	Fuji Electric .....	2-240
	16.1 Connection Table.....	2-240
	16.2 System Configuration .....	2-242
	16.3 Connection Diagram.....	2-245
	16.4 Environment Settings .....	2-252
	16.5 Usable Device Addresses .....	2-256
17	Toshiba.....	2-259
	17.1 Connection Table.....	2-259
	17.2 System Configuration .....	2-260
	17.3 Connection Diagram.....	2-262
	17.4 Environment Settings .....	2-269
	17.5 Usable Device Addresses .....	2-269
	17.6 The mapping table of devices between PROSEC T-series and V series.....	2-270
18	LSIS .....	2-271
	18.1 Connection Table.....	2-271
	18.2 System Configuration .....	2-272
	18.3 Connection Diagram.....	2-274
	18.4 Environment Settings .....	2-277
	18.5 Usable Device Addresses .....	2-278
19	Vigor Electric .....	2-279
	19.1 Connection Table.....	2-279
	19.2 System Configuration .....	2-280
	19.3 Connection Diagram.....	2-281
	19.4 Environment Settings .....	2-288
	19.5 Usable Device Addresses .....	2-289
20	Emerson Electric .....	2-290
	20.1 Connection Table.....	2-290
	20.2 System Configuration .....	2-290
	20.3 Connection Diagram.....	2-291
	20.4 Environment Settings .....	2-292
	20.5 Usable Device Addresses .....	2-293

21	Hitachi Industrial Equipment Systems .....	2-297
	21.1 Connection Table.....	2-297
	21.2 System Configuration .....	2-299
	21.3 Connection Diagram .....	2-301
	21.4 Environment Settings.....	2-309
	21.5 Usable Device Addresses .....	2-311
22	ABB .....	2-312
	22.1 Connection Table.....	2-312
	22.2 System Configuration .....	2-312
	22.3 Connection Diagram .....	2-314
	22.4 Environment Settings.....	2-316
	22.5 Usable Device Addresses .....	2-317
	22.6 Device Address Configuration Procedure .....	2-317

### Chapter 3 O/I Link Communication

1	Outline.....	3-1
	1.1 Wiring Diagram .....	3-2
2	Settings.....	3-3
3	Communication Service .....	3-4
	3.1 O/I Link slave Registration Setting Register (LSD102 in the O/I Link master)....	3-4
	3.2 O/I Link slave Online Data Register (LSD104 in the O/I Link master).....	3-4
	3.3 O/I Link Polling Period Register (LSD101 in the O/I Link slaves) .....	3-4
	3.4 O/I Link slave Error information Register (LSD106 in the O/I Link master) .....	3-4
4	Communication Status Confirmation .....	3-5
	4.1 O/I Link Master Error Processing .....	3-5
	4.2 O/I Link Slave Error Processing .....	3-5
	4.3 Status of a Slave in the O/I Link.....	3-6
	4.4 Slave changes status from Online to Offline in the O/I Link .....	3-7
5	Important Notes .....	3-8
	5.1 Communication Traffic Volume of the O/I Link Network .....	3-8
6	Result on the Performance Evaluation of the main unit .....	3-9
	6.1 Conditions .....	3-9

### Chapter 4 DM Link Communication

1	Overview .....	4-1
	1.1 Communication Methods .....	4-1
2	System Configuration .....	4-3
	2.1 DM Link 1:1 Communication .....	4-3
	2.2 DM Link 1:N Communication .....	4-3
	2.3 DM Link Ethernet (UDP) Communication .....	4-4
3	Connection Diagram.....	4-5
	3.1 RS232C .....	4-5
	3.2 RS422/485.....	4-7
4	Communication Specifications .....	4-10
	4.1 Communication Method.....	4-10
	4.2 Communication Conditions.....	4-10
	4.3 Flow control.....	4-10

5	Data Memory (DM) Allocation .....	4-11
	5.1 System Area .....	4-11
	5.2 Event transmission control area .....	4-12
	5.3 Response address settings control area.....	4-12
6	Settings .....	4-16
	6.1 DM Link 1:1 Communication, DM Link 1:N Communication .....	4-16
	6.2 DM Link Ethernet (UDP) Communication.....	4-18
7	DM Link 1:1 Communication Format .....	4-19
	7.1 Read .....	4-19
	7.2 Write .....	4-21
	7.3 Transmission Control .....	4-23
	7.4 Clear .....	4-25
	7.5 Event Transmission.....	4-25
8	DM Link 1:N Communication Format.....	4-27
	8.1 Read .....	4-27
	8.2 Write .....	4-29
	8.3 Clear .....	4-31
	8.4 Station Number .....	4-31
9	DM Link Ethernet (UDP) Communication Format .....	4-32
	9.1 Read .....	4-32
	9.2 Write .....	4-34
10	BCC Calculation.....	4-37
	10.1 BCC Calculation Example (for DM Link 1:N Communication).....	4-37
11	Error Codes .....	4-38
	11.1 Response Time.....	4-38

## Chapter 5 Modbus

1	Connection Table .....	5-1
	1.1 Compatible Protocols .....	5-1
	1.2 Compatible Table.....	5-1
2	System Configuration .....	5-2
	2.1 Modbus RTU Master .....	5-2
	2.2 Modbus ASCII Master.....	5-2
	2.3 Modbus TCP Client.....	5-2
	2.4 Modbus TCP Server.....	5-2
	2.5 Modbus RTU Slave.....	5-3
	2.6 Twido.....	5-3
	2.7 Momentum (MODUBS TCP Client) .....	5-5
	2.8 TWD LCAA 16DRF/24DRF+TWD NAC 485D (Communication Adapter).....	5-5
	2.9 TWD LCAA 16DRF/24DRF+TWD NAC 485T (Communication Adapter) .....	5-5
3	Connection Diagram .....	5-6
	3.1 Connection Diagram 1: TWD NAC 232D.....	5-6
	3.2 Connection Diagram 2: TWD NAC 485D.....	5-7
	3.3 Connection Diagram 3: TWD NAC 485T .....	5-9
4	Environment Settings .....	5-11
	4.1 Configure Modbus RTU/ASCII Master .....	5-11
	4.2 Configure Modbus TCP Client .....	5-12

5	Usable Device Addresses .....	5-13
5.1	Modbus RTU Master, Modbus ASCII Master, Modbus TCP Client .....	5-13
5.2	Twido (Modbus RTU Master) .....	5-13
5.3	Momentum (Modbus TCP Client) .....	5-13
6	Modbus TCP Server, Modbus RTU Slave Function .....	5-14
6.1	Overview of the Modbus TCP Server, Modbus RTU Slave Function .....	5-14
6.2	Modbus TCP Server function system configuration .....	5-15
6.3	Modbus RTU Slave function system configuration .....	5-15
6.4	Device Addresses .....	5-16
6.5	Settings .....	5-17
6.6	Modbus TCP Server Function Communication Format .....	5-19
6.7	Modbus RTU Slave Function Communication Format .....	5-20
6.8	Common protocol format .....	5-21

## **Chapter 6 Communication with Multiple External Devices**

---

1	About 1:N Communication (Multi-drop) .....	6-1
1.1	Outline .....	6-1
2	Communication Drivers Supporting 1:N Communication .....	6-2
3	Settings of the 1:N Communication .....	6-3
3.1	External Device Address Settings .....	6-3
3.2	Connection Diagram .....	6-6
4	1:N Communication Operation .....	6-8
4.1	1:N Communication Operation .....	6-8
5	Using Multiple Communication Drivers .....	6-9
6	Restrictions .....	6-10

## **Chapter 7 Communication Cables**

---

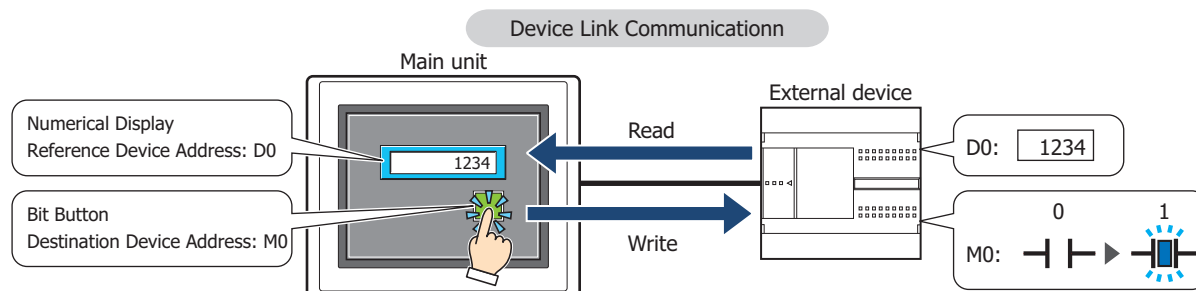
1	Communication Cables .....	7-1
1.1	User Communication, Printer or PLC communication cable (Type Number: FC2A-KP1C, HG9Z-XC275) .....	7-1
1.2	PLC communication cable (Type Number: HG9Z-XC295) .....	7-2
1.3	PLC communication cable (Type Number: HG9Z-XC305) .....	7-3
1.4	PLC communication cable (Type Number: HG9Z-XC315) .....	7-3
1.5	User Communication or PLC communication cable (Type Number: FC6A-KC1C) .....	7-4
1.6	User Communication or PLC communication cable (Type Number: FC6A-KC2C) .....	7-5

## 1 Overview

Device Link Communication refers to the communication protocol used for communication with the main unit, via the CPU unit\*<sup>1</sup> or PLC Link unit\*<sup>1</sup> Programming Port of the external device connected to the main unit.

The main unit continuously reads the value of device of external device addresses on the currently displayed screen, and external devices (such as relays and registers) on the screens are updated with the latest data at all times.

When a button is pressed or a command is executed in the main unit screen, the value is written to the external device address.



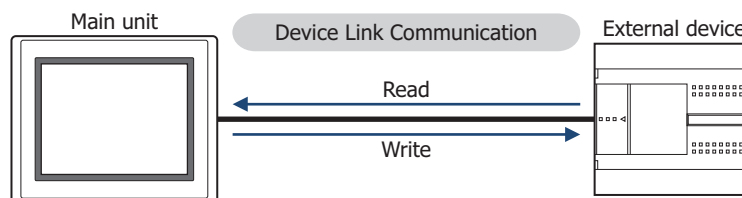
 For details regarding the Command Method Communication, refer to Chapter 2 "Connection to External Devices" on page 2-1.

### ● Connection Types

There are two basic types of connections. 1:1 Communication, where an external device is connected to a main unit; and 1:N Communication, where multiple external devices are connected to a main unit.

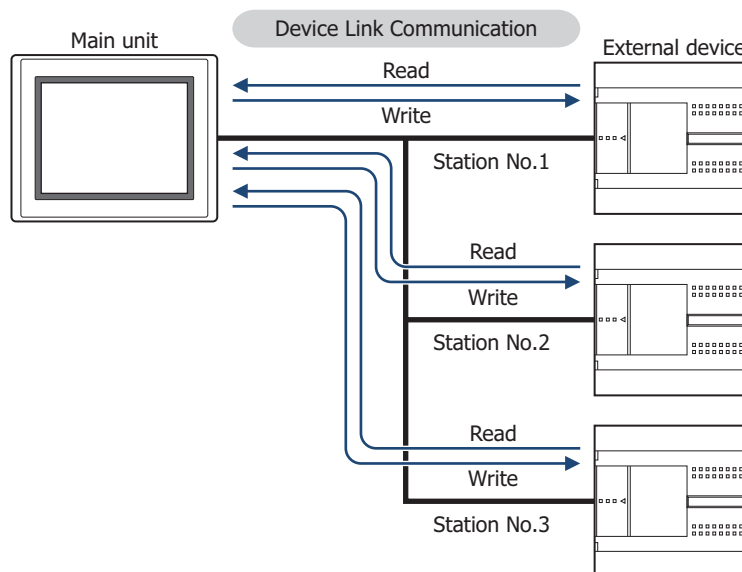
#### ■ 1:1 Communication

The main unit is connected to a single external device.



#### ■ 1:N Communication

The main unit is connected to multiple external devices.



\*1 Unit names vary based on the manufacturer of the external device.

## 2 Settings

You need to setup the main unit using WindO/I-NV4 in order for it to be able to communicate with the external devices.

Device Link Communication setting is set on the Project Settings dialog box displayed by clicking **Project** under **System Setup** on the **Configuration** tab in WindO/I-NV4. For details, refer to the WindO/I-NV4 User's Manual. Match the settings for the items in the following table to those of the external devices that you will be using.

### Project Settings Dialog Box

Tab Name	Setting Name	Description
System	Start Time (sec)	It varies based on the model of the main unit. FT2J/1J, HG2J/1J: Specifies the time (0 to 9999 seconds) from when the power of the main unit is turned on and the POWER LED (green) changes from blinking to lit until communications start with the external device (0 to 9999 seconds). HG5G/4G/3G/2G-V, HG4G/3G, HG2G-5F/-5T, HG1G/1P: Specifies the time from when the power of the main unit is turned on until communications start with the external device (0 to 9999 seconds). Set this option if the external device is turned on after the main unit, or some time is required until the communication port of external devices can be used.
	Use System Area	When <b>Use System Area</b> is selected, set the device address for System Area.
	Use System Areas 3, 4	
	Watch Dog	When <b>Watch Dog</b> is selected, set the <b>Device Address</b> and the <b>Time</b> for the write interval.
	Device Address	
Time (sec)		
Communication Interface	Interface Configuration	Select the interface used for the Device Link Communication.
	Function	Select the Function to be used. The details of <b>External Device Communication 1</b> to the <b>External Device Communication 4</b> are configured on the Communication Driver tab. For details about O/Link Communication, refer to Chapter 3 "O/I Link Communication" on page 3-1.
	Baud Rate	The settings vary based on the external device used. Refer to Chapter 2 "Connection to External Devices" on page 2-1.
	Data Bits	
	Stop Bits	
	Parity	
	Flow Control	
Serial Interface		

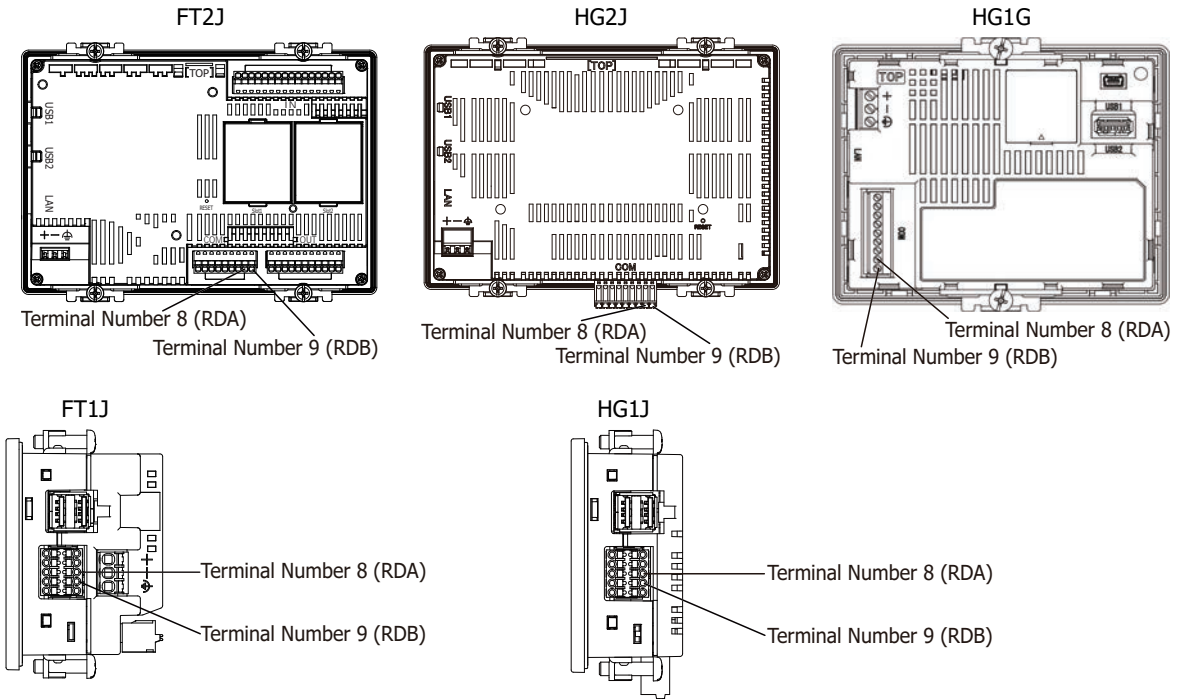


Tab Name	Setting Name	Description
Communication Driver	Manufacturer	Select the manufacturer and the communication driver from the list of compatible External Devices given in Chapter 2 "Connection to External Devices" on page 2-1 that corresponds to the one you will be using.
	Communication Driver	
	Connection	
	Transmission Wait (x10 msec)	The settings vary based on the external device used. For details, refer to Chapter 2 "Connection to External Devices" on page 2-1. If there is no setting given for the transmission wait, set it to 0. Adjust the per unit time communications traffic by increasing this value when the processing speed of the main unit is slow due to a high-traffic communication.
	Time Out (x100 msec)	This is the time that the main unit will wait for a reply from the External Device after it sends a communication command. When this time elapses, the main unit will send the command again. (Default: 20) Give careful consideration to the value that you will use before changing this setting.
	Retry Cycles	If communication errors occur despite trying the number set here, an error is displayed on the screen and the error information is set in the system area. (Default: 5)
	(Other setting)	The settings vary based on the external device used. For details, refer to Chapter 2 "Connection to External Devices" on page 2-1 for your External Device.
Communication Driver Network	Station Number	This number is used to distinguish an external device when set to a device address.
	IP Address	This option is IP address of each external devices.
	Port Number	This option is Port Number of each external devices.
	(Other setting)	These items vary based on the Communication Driver. You can see some items if the selected Communication Driver has any setting items. Refer to each manual for the external device.

### 3 Important Points Regarding Wiring

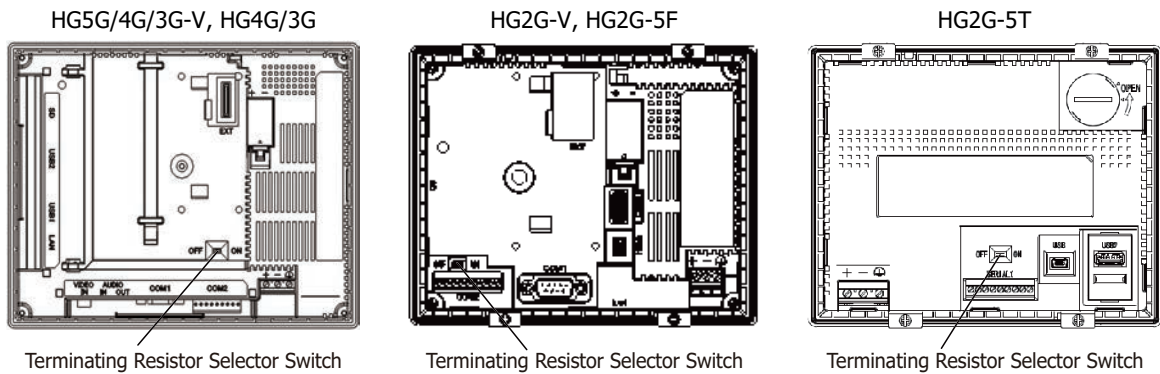
- Depending on the environment, connect a shield wire to the FG terminal on either the External Device side or the main unit side.
- When using the RS422/485 interface, note the following points.
  - Use a twisted-pair cable so that the + and - signals are paired.
  - When communication quality is unstable, add terminating resistance matched to the characteristic impedance to both ends of the cable. The setting method varies based on the model.

FT2J/1J, HG2J/1J, HG1G\*1: Insert a terminating resistor of an appropriate value (about 100 to 120 Ohm, 1/2 W minimum) between terminal number 8 (RDA) and terminal number 9 (RDB).



HG5G/4G/3G/2G-V, HG4G/3G, HG2G-5F/-5T: Set the Terminating Resistor Selector Switch to the ON side. This will connect the internal terminating resistor between RDA and RDB. The connected resistance value varies based on the model.

HG5G/4G/3G/2G-V, HG4G/3G, HG2G-5F\*2: 120-Ohm,  
 HG2G-5T: 100-Ohm



\*1 FT2J/1J, HG2J/1J, and HG1G are not equipped with terminating resistor.

\*2 In case of the HG5G/4G/3G/2G-V, HG4G/3G, HG2G-5F inserts terminating resistor to only Terminal port, not D-sub port. Insert a terminating resistor (100 to 120 Ohm, 1/2 W minimum) when using RS422/485 interface at D-sub port if necessary.

## 4 Compatible Devices and PLC List

YES: Supported, NO: Not supported

Manufacturer	Correspondence model	FT2J/1J	HG2J/1J	HG5G/4G/3G/2G-V, HG4G/3G, HG2G-5F/-5T, HG1G/1P	Details
IDEC	FC6A MICROSmart	YES	YES	YES	Page 2-1
	FT1A SmartAXIS Pro/Lite	YES	YES	YES	Page 2-2
	FC5A MICROSmart	NO	NO	YES	Page 2-3
	FC4A MICROSmart	NO	NO	YES	Page 2-4
	FC3A OpenNet Controller	NO	NO	YES	Page 2-4
Mitsubishi Electric	For details regarding the correspondence model, refer to the Details page.	YES	YES	YES	Page 2-25
OMRON		YES	YES	YES	Page 2-69
Shibaura Machine		YES	YES	YES	Page 2-93
Allen-Bradley		YES	YES	YES	Page 2-98
JTEKT (Toyoda)		NO	NO	YES	Page 2-136
SIEMENS		YES	YES	YES	Page 2-149
KEYENCE		YES	YES	YES	Page 2-162
Hitachi		NO	NO	YES	Page 2-175
GE Fanuc Automation		NO	NO	YES	Page 2-181
Panasonic		YES	YES	YES	Page 2-192
YASKAWA Electric		YES	YES	YES	Page 2-205
KOYO ELECTRONICS INDUSTRIES		NO	NO	YES	Page 2-217
FANUC		NO	NO	YES	Page 2-228
Yokogawa Electric		NO	NO	YES	Page 2-232
Fuji Electric		YES	YES	YES	Page 2-240
Toshiba		NO	NO	YES	Page 2-259
LSIS		NO	NO	YES	Page 2-271
Vigor Electric		NO	NO	YES	Page 2-279
Emerson Electric		YES	YES	YES	Page 2-290
Hitachi Industrial Equipment Systems		NO	NO	YES	Page 2-297
ABB	YES	YES	YES	Page 2-312	



# Chapter 2 Connection to External Devices

## 1 IDEC

### 1.1 Connection Table

CPU Module	Link Unit	WindO/I-NV4 Settings		
		Interface	Flow Control	Communication Driver
<b>FC6A MICROSmart</b>				
FC6A-C16R1AE FC6A-C16R4AE FC6A-C24R1AE FC6A-C24R4AE FC6A-C40R1AE FC6A-C40R4AE FC6A-C16R1CE FC6A-C16R4CE FC6A-C16P1CE FC6A-C16P4CE FC6A-C16K1CE FC6A-C16K4CE FC6A-C24R1CE FC6A-C24R4CE FC6A-C24P1CE FC6A-C24P4CE FC6A-C24K1CE FC6A-C24K4CE FC6A-C40R1CE FC6A-C40R4CE FC6A-C40P1CE FC6A-C40P4CE FC6A-C40K1CE FC6A-C40K4CE FC6A-C16R1DE FC6A-C16R4DE FC6A-C40R1DE FC6A-C40R4DE FC6A-C16P1DE FC6A-C16P4DE FC6A-C40P1DE FC6A-C40P4DE FC6A-C16K1DE FC6A-C16K4DE FC6A-C40K1DE FC6A-C40K4DE	Not required (Connects to CPU Module)	RS232C Connection Diagram 6 (Page 2-18) RS422/485 2-wire Connection Diagram 7 (Page 2-19)	None	MICROSmart(FC6A)(RS232C/485)
FC6A-PC1	RS232C Connection Diagram 8 (Page 2-21)			
FC6A-PC3	RS422/485 2-wire Connection Diagram 2 (Page 2-12)	None	MICROSmart(FC6A)(RS232C/485)	
FC6A-SIF52	RS232C Connection Diagram 4 (Page 2-15) RS422/485 2-wire Connection Diagram 2 (Page 2-12)			
FC6A-C40R1AEJ FC6A-C40R4AEJ FC6A-C40R1CEJ FC6A-C40R4CEJ FC6A-C40P1CEJ FC6A-C40P4CEJ FC6A-C40K1CEJ FC6A-C40K4CEJ FC6A-C40R1DEJ FC6A-C40R4DEJ FC6A-C40P1DEJ FC6A-C40P4DEJ FC6A-C40K1DEJ FC6A-C40K4DEJ	Not required (Connects to Ethernet port)	Ethernet	-	MICROSmart(FC6A)(Ethernet)
FC6A-PH1 (HMI Module)				
FC6A-PC1	RS232C Connection Diagram 8 (Page 2-21)	None	MICROSmart(FC6A)(RS232C/485)	
FC6A-PC3	RS422/485 2-wire Connection Diagram 2 (Page 2-12)			
FC6A-SIF52	RS232C Connection Diagram 4 (Page 2-15) RS422/485 2-wire Connection Diagram 2 (Page 2-12)	None	MICROSmart(FC6A)(RS232C/485)	
FC6A-PH1 (HMI Module)				
FC6A-C40R1AEJ FC6A-C40R4AEJ FC6A-C40R1CEJ FC6A-C40R4CEJ FC6A-C40P1CEJ FC6A-C40P4CEJ FC6A-C40K1CEJ FC6A-C40K4CEJ FC6A-C40R1DEJ FC6A-C40R4DEJ FC6A-C40P1DEJ FC6A-C40P4DEJ FC6A-C40K1DEJ FC6A-C40K4DEJ	Not required (Connects to Ethernet port)	Ethernet	-	MICROSmart(FC6A)(Ethernet)
FC6A-PH1 (HMI Module)				

CPU Module	Link Unit	WindO/I-NV4 Settings		
		Interface	Flow Control	Communication Driver
FC6A-D16R1CEE FC6A-D16R4CEE FC6A-D16P1CEE FC6A-D16P4CEE FC6A-D16K1CEE FC6A-D16K4CEE FC6A-D32P3CEE FC6A-D32P4CEE FC6A-D32K3CEE FC6A-D32K4CEE	FC6A-HPH1+FC6A-PC1 FC6A-PH1 (HMI Module) +FC6A-PC1	RS232C Connection Diagram 8 (Page 2-21)	None	MICROSmart(FC6A)(RS232C/485)
	FC6A-HPH1+FC6A-PC3 FC6A-PH1 (HMI Module) +FC6A-PC3	RS422/485 2-wire Connection Diagram 2 (Page 2-12)		
	FC6A-SIF52	RS232C Connection Diagram 4 (Page 2-15)		
		RS422/485 2-wire Connection Diagram 2 (Page 2-12)		
	Not required (Connects to Ethernet port) FC6A-PH1 (HMI Module)	Ethernet	-	MICROSmart(FC6A)(Ethernet)



The corresponding device type differs depending on the communication driver which be used.

For FC6A type, please select MICROSmart(FC6A)(RS232C/485), MICROSmart(FC6A)(Ethernet) driver.

If use OpenNet,MICROSmart,SmartAXIS Pro/Lite(RS232C485), OpenNet,MICROSmart,SmartAXIS Pro/Lite(Ethernet) driver, the device type is partially different, so please use this manual carefully after confirming it.

CPU Module	Link Unit	WindO/I-NV4 Settings		
		Interface	Flow Control	Communication Driver
<b>FT1A SmartAXIS Pro/Lite</b>				
FT1A-H24RA FT1A-H24RC FT1A-B24RA FT1A-B24RC FT1A-H40RKA FT1A-H40RSA FT1A-H40RC FT1A-B40RKA FT1A-B40RSA FT1A-B40RC FT1A-H48KA FT1A-H48SA FT1A-H48KC FT1A-H48SC FT1A-B48KA FT1A-B48SA FT1A-B48KC FT1A-B48SC	Not required (Connects to CPU Module)	Ethernet	-	OpenNet,MICROSmart, SmartAXIS Pro/Lite(Ethernet)
	FT1A-PC1 (Communication Cartridge)	RS232C Connection Diagram 3 (Page 2-14)	None	OpenNet,MICROSmart, SmartAXIS Pro/Lite(RS232C/485)
	FT1A-PC2 (Communication Cartridge)	RS422/485 2-wire Connection Diagram 5 (Page 2-16)		
	FT1A-PC3 (Communication Cartridge)	RS422/485 2-wire Connection Diagram 2 (Page 2-12)		

CPU Module	Link Unit	WindO/I-NV4 Settings		
		Interface	Flow Control	Communication Driver
<b>FC5A MICROSmart*1</b>				
FC5A-C10R2 FC5A-C16R2 FC5A-C24R2 FC5A-C10R2C FC5A-C16R2C FC5A-C24R2C	Not required (Connects to CPU Module)	RS232C Connection Diagram 3 (Page 2-14)	None	OpenNet,MICROSmart, SmartAXIS Pro/Lite(RS232C/485)
		RS232C Connection Diagram 1 (Page 2-11)		
	FC4A-PC1 (Communication Adapter)	RS232C Connection Diagram 1 (Page 2-11)	ER	
	FC4A-PC3 (Communication Adapter)	RS422/485 2-wire Connection Diagram 2 (Page 2-12)	None	
	FC5A-SIF2	RS232C Connection Diagram 4 (Page 2-15)		
	FC5A-SIF4	RS422/485 2-wire Connection Diagram 2 (Page 2-12)		
	FC4A-SX5ES1E (Web Server Unit)	Ethernet	-	
FC5A-D16RK1 FC5A-D16RS1 FC5A-D32K3 FC5A-D32S3	Not required (Connects to CPU Module)	RS232C Connection Diagram 3 (Page 2-14)	None	OpenNet,MICROSmart, SmartAXIS Pro/Lite(RS232C/485)
		RS232C Connection Diagram 1 (Page 2-11)		
	FC4A-HPC1	RS232C Connection Diagram 1 (Page 2-11)	ER	
	FC4A-HPC3	RS422/485 2-wire Connection Diagram 2 (Page 2-12)	None	
	FC4A-HPH1 (HMI Base Module) +FC4A-PC1 (Communication Adapter)	RS232C Connection Diagram 1 (Page 2-11)	ER	
	FC4A-HPH1 (HMI Base Module) +FC4A-PC3 (Communication Adapter)	RS422/485 2-wire Connection Diagram 2 (Page 2-12)	None	
	FC5A-SIF2	RS232C Connection Diagram 4 (Page 2-15)		
	FC5A-SIF4	RS422/485 2-wire Connection Diagram 2 (Page 2-12)		
FC4A-SX5ES1E (Web Server Unit)	Ethernet	-	OpenNet,MICROSmart, SmartAXIS Pro/Lite(Ethernet)	
FC5A-D12K1E FC5A-D12S1E	Not required (Connects to CPU Module)	Ethernet	-	OpenNet,MICROSmart, SmartAXIS Pro/Lite(Ethernet)
	FC4A-HPC1	RS232C Connection Diagram 1 (Page 2-11)	ER	OpenNet,MICROSmart, SmartAXIS Pro/Lite(RS232C/485)
	FC4A-HPC3	RS422/485 2-wire Connection Diagram 2 (Page 2-12)	None	
	FC4A-HPH1 (HMI Base Module) +FC4A-PC1 (Communication Adapter)	RS232C Connection Diagram 1 (Page 2-11)	ER	
	FC4A-HPH1 (HMI Base Module) +FC4A-PC3 (Communication Adapter)	RS422/485 2-wire Connection Diagram 2 (Page 2-12)	None	
	FC5A-SIF2	RS232C Connection Diagram 4 (Page 2-15)		
	FC5A-SIF4	RS422/485 2-wire Connection Diagram 2 (Page 2-12)		

\*1 HG5G/4G/3G/2G-V, HG4G/3G, HG2G-5F/-5T, HG1G/1P only

CPU Module	Link Unit	WindO/I-NV4 Settings		
		Interface	Flow Control	Communication Driver
<b>FC4A MICROSmart*1</b>				
FC4A-C10R2	Not required (Connects to CPU Module)	RS232C Connection Diagram 3 (Page 2-14)	None	OpenNet,MICROSmart, SmartAXIS Pro/Lite(RS232C/485)
		RS232C Connection Diagram 1 (Page 2-11)		
	FC4A-SX5ES1E (Web Server Unit)	Ethernet	-	OpenNet,MICROSmart, SmartAXIS Pro/Lite(Ethernet)
FC4A-C16R2 FC4A-C24R2	Not required (Connects to CPU Module)	RS232C Connection Diagram 3 (Page 2-14)	None	OpenNet,MICROSmart, SmartAXIS Pro/Lite(RS232C/485)
		RS232C Connection Diagram 1 (Page 2-11)		
	FC4A-PC1 (Communication Adapter)	RS232C Connection Diagram 1 (Page 2-11)	ER	
	FC4A-PC3 (Communication Adapter)	RS422/485 2-wire Connection Diagram 2 (Page 2-12)	None	
	FC4A-SX5ES1E (Web Server Unit)	Ethernet	-	OpenNet,MICROSmart, SmartAXIS Pro/Lite(Ethernet)
FC4A-D20K3 FC4A-D20S3 FC4A-D20RK1 FC4A-D20RS1 FC4A-D40K3 FC4A-D40S3	Not required (Connects to CPU Module)	RS232C Connection Diagram 3 (Page 2-14)	None	OpenNet,MICROSmart, SmartAXIS Pro/Lite(RS232C/485)
		RS232C Connection Diagram 1 (Page 2-11)		
	FC4A-HPC1	RS232C Connection Diagram 1 (Page 2-11)	ER	
	FC4A-HPC3	RS422/485 2-wire Connection Diagram 2 (Page 2-12)	None	
	FC4A-HPH1 (HMI Base Module) +FC4A-PC1 (Communication Adapter)	RS232C Connection Diagram 1 (Page 2-11)	ER	
	FC4A-HPH1 (HMI Base Module) +FC4A-PC3 (Communication Adapter)	RS422/485 2-wire Connection Diagram 2 (Page 2-12)	None	
	FC4A-SX5ES1E (Web Server Unit)	Ethernet	-	OpenNet,MICROSmart, SmartAXIS Pro/Lite(Ethernet)
<b>FC3A OpenNet Controller*1</b>				
FC3A-CP2	Not required (Connects to CPU Module)	RS232C Connection Diagram 1 (Page 2-11)	ER	OpenNet,MICROSmart, SmartAXIS Pro/Lite(RS232C/485)
		RS422/485 2-wire Connection Diagram 2 (Page 2-12)	None	
	FC4A-SX5ES1E (Web Server Unit)	Ethernet	-	OpenNet,MICROSmart, SmartAXIS Pro/Lite(Ethernet)

\*1 HG5G/4G/3G/2G-V, HG4G/3G, HG2G-5F/-5T, HG1G/1P only



## 1.2 Supported Function

YES: Supported, NO: Not supported

Communication Driver	Functions	
	Pass-through function *1	1:N Communication function
MICROSmart(FC6A)(RS232C/485)	YES	YES
MICROSmart(FC6A)(Ethernet)	NO	YES
OpenNet,MICROSmart,SmartAXIS Pro/Lite(RS232C/485)	YES	YES
OpenNet,MICROSmart,SmartAXIS Pro/Lite(Ethernet)	NO	YES

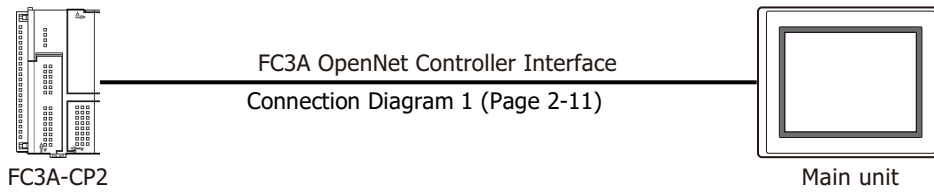
- Pass-through function (☞ Chapter 27 "Pass-Through Function" in the WindO/I-NV4 User's Manual)
- 1:N Communication function (☞ Chapter 6 "Communication with Multiple External Devices" on page 6-1)

\*1 HG5G/4G/3G/2G-V, HG4G/3G, HG2G-5F/-5T, HG1G/1P only

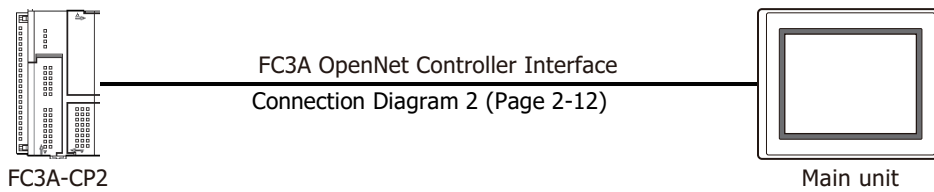
### 1.3 System Configuration

This is the system configuration for the connection of IDEC PLCs to the main unit.

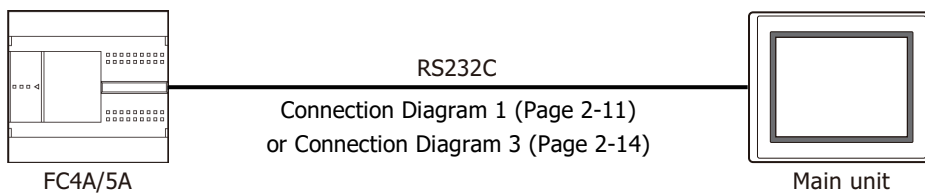
- FC3A OpenNet Controller (Connects to RS232C port of CPU Module)



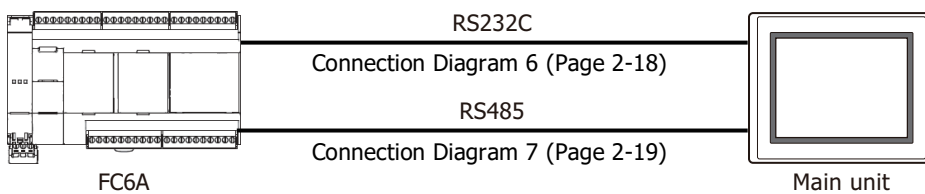
- FC3A OpenNet Controller (Connects to RS485 port of CPU Module)



- FC4A/5A/6A MICROSmart (Connects to Port 1 of CPU Module)

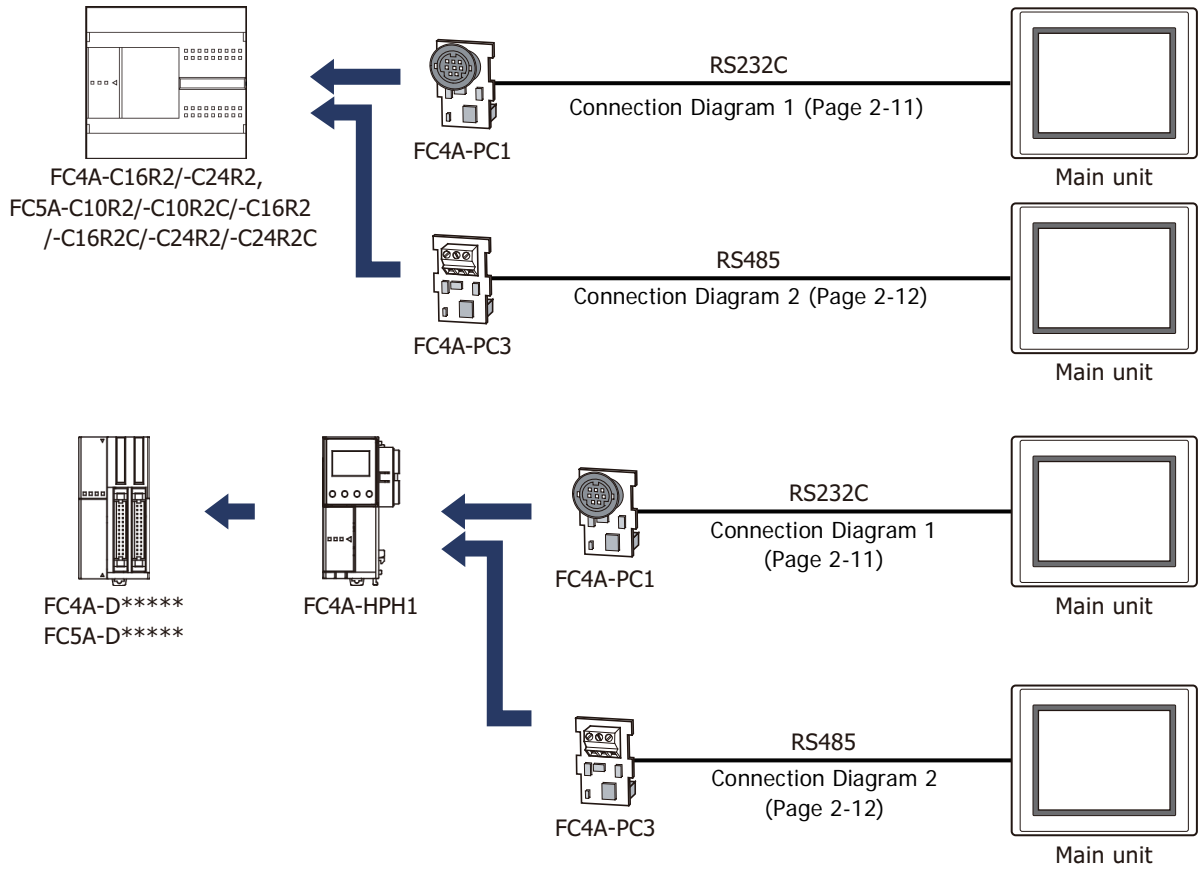


The CPU module of the FC5A-D12\*1E does not have the Port 1.

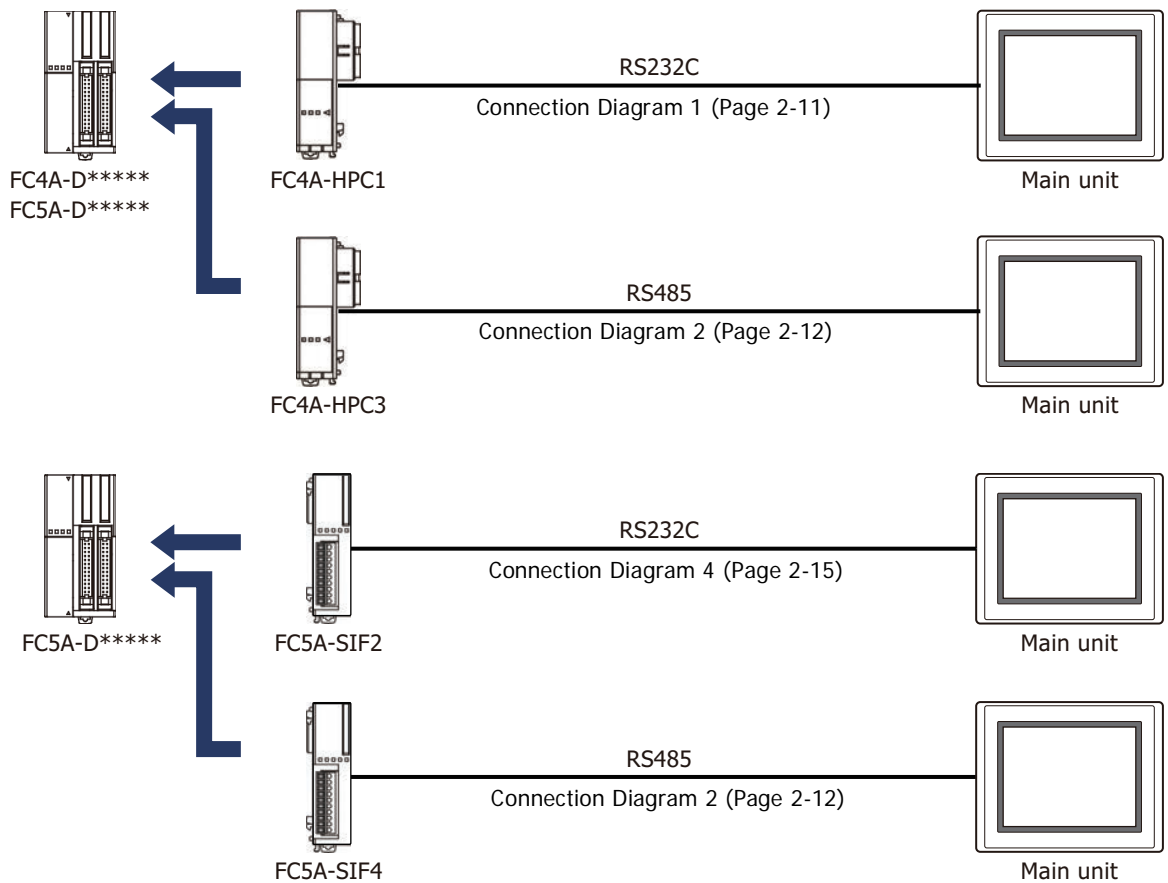


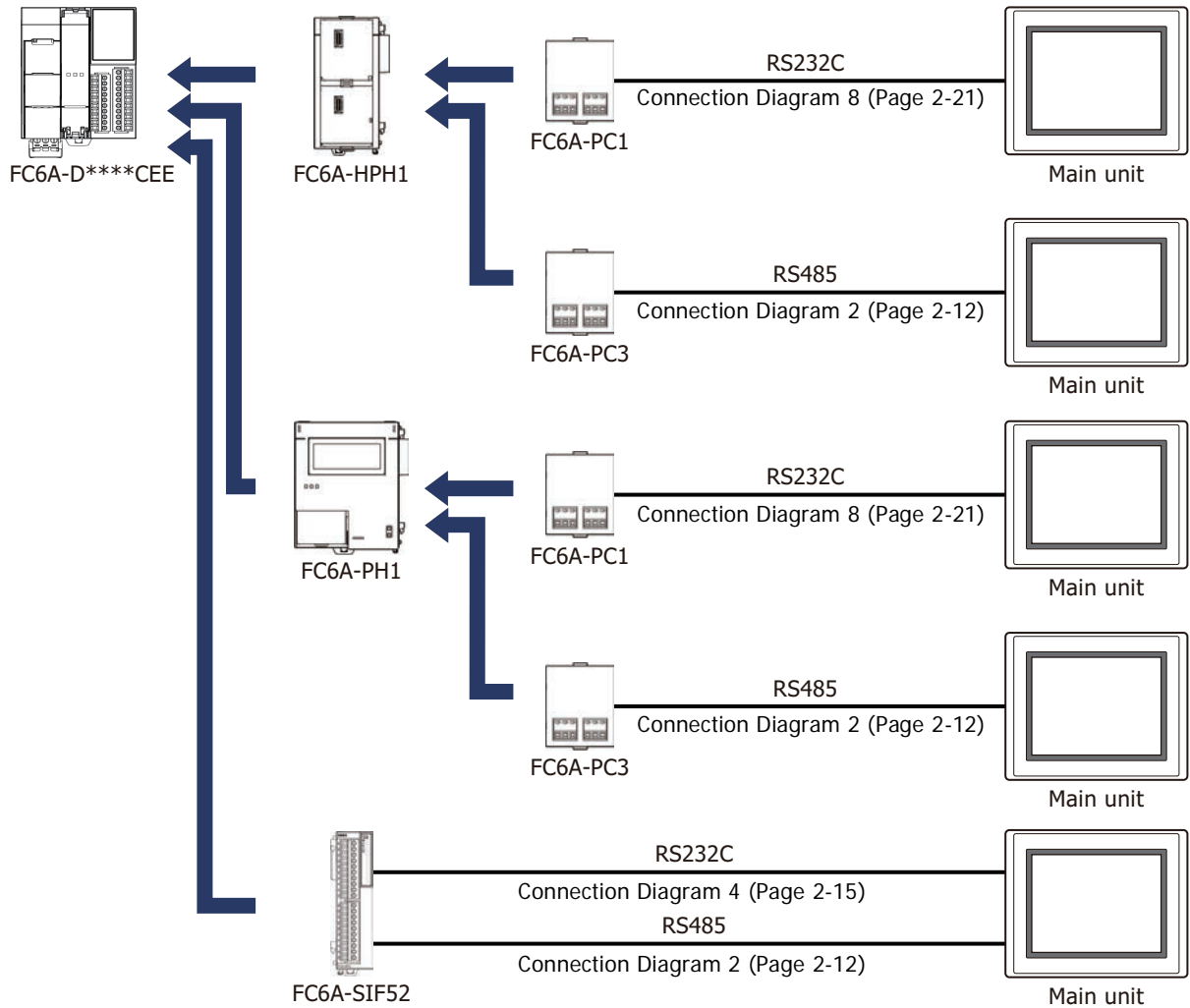
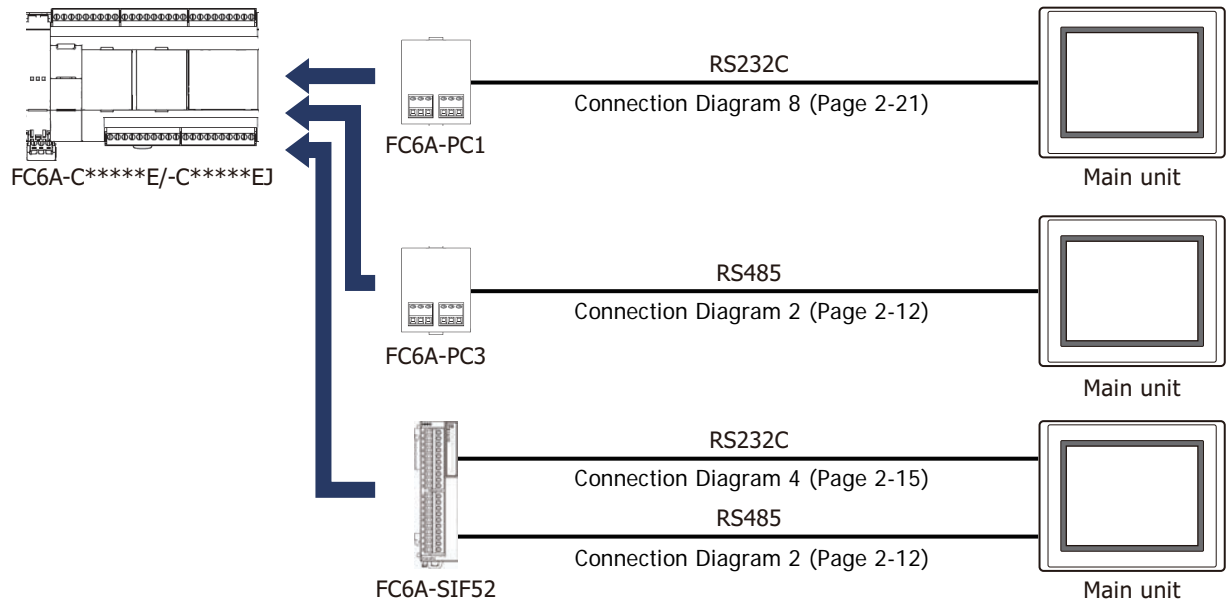
The CPU module of the FC6A-C\*\*\*\*EJ or the FC6A-D\*\*\*\*CEE does not have the Port 1.

● FC4A/5A MICROSmart (Connects to Port 2)

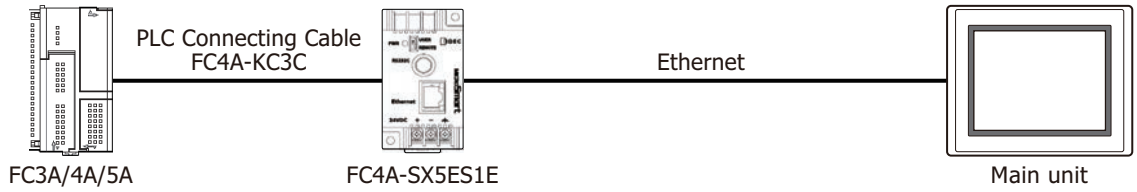


● FC4A/5A/6A MICROSmart (Connects to Communication Adapter)

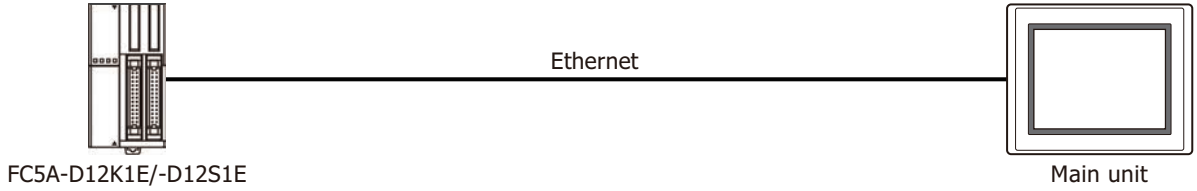




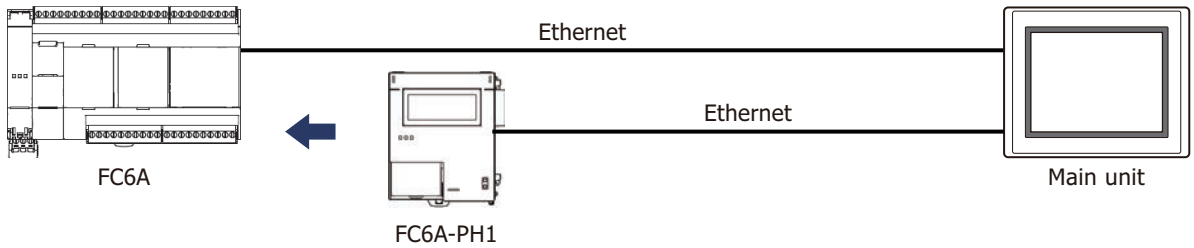
● FC3A OpenNet Controller and FC4A/5A MICROSmart (Connects to Web Server Unit)



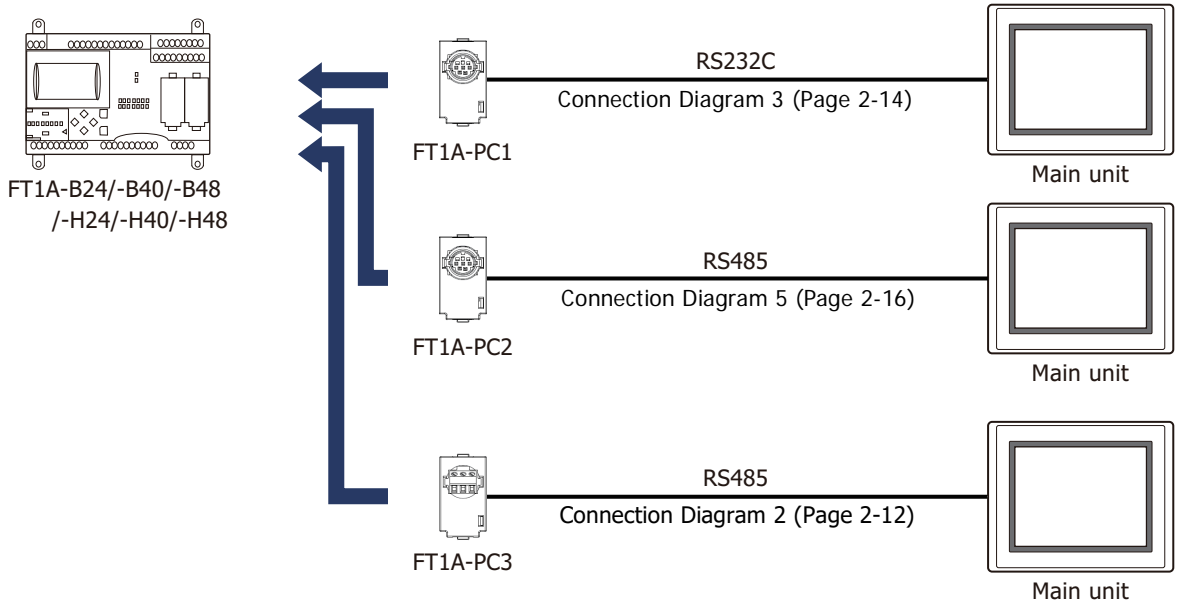
● FC5A MICROSmart (Connects to Ethernet port of the FC5A-D12\*1E)



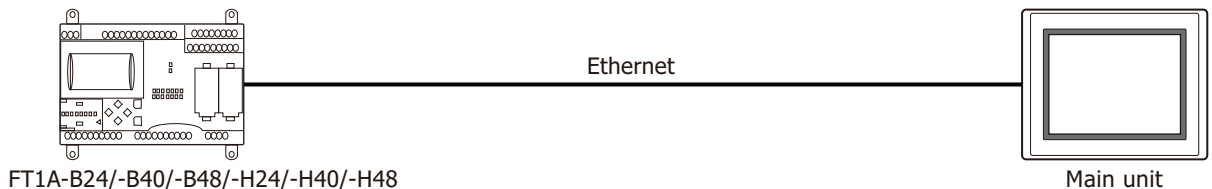
● FC6A MICROSmart (Connects to Ethernet port)



● FT1A SmartAXIS Pro/Lite (Connects to Communication Cartridge)



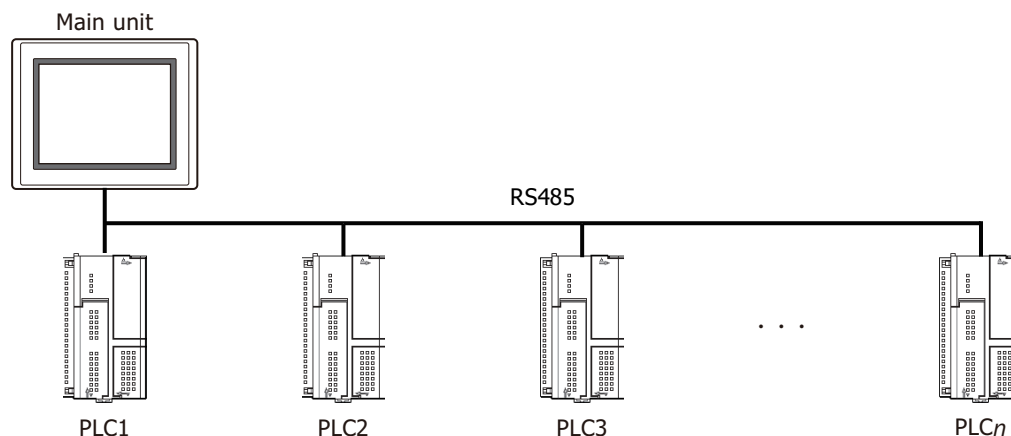
● FT1A SmartAXIS Pro/Lite (Connects to Ethernet port)



● FC3A OpenNet Controller, FC4A/5A/6A MICROSmart and FT1A SmartAXIS Pro/Lite (Communicates via Serial)

The 1:N communication can be established by using the following connections.

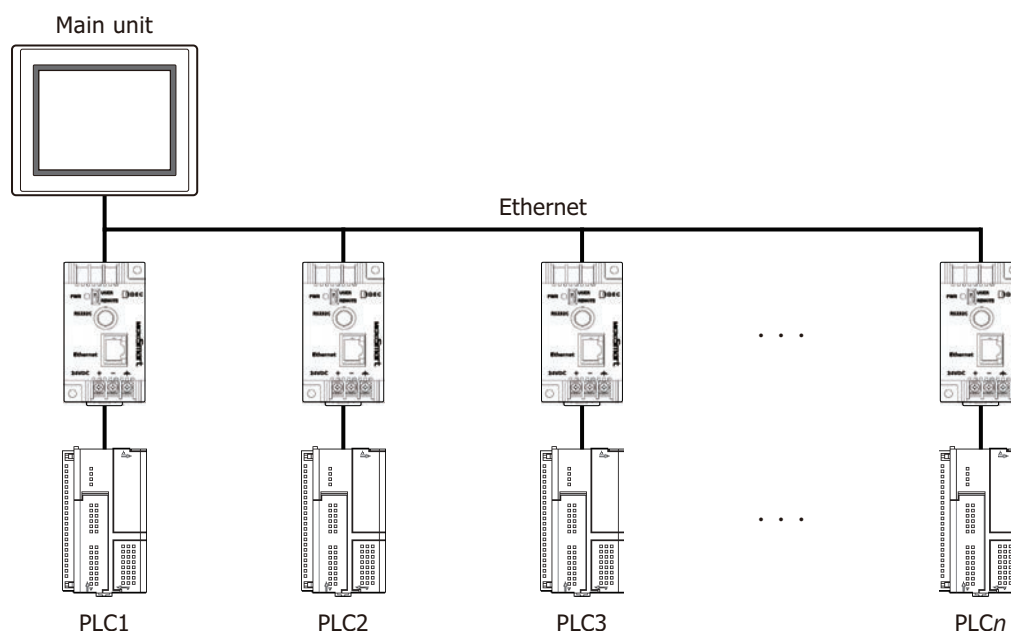
- FC3A OpenNet Controller (Connects to the RS485 port of the CPU module)
- FC4A/5A MICROSmart (Connects to the Port 2)
- FC5A MICROSmart (Connects to the Communication adapter)
- FC6A MICROSmart (Connects to the Port 1 of the CPU module of the FC6A-C\*\*\*\*\*E)
- FC6A MICROSmart (Connects to the Communication cartridge or the Communication adapter)
- FT1A SmartAXIS Pro/Lite (Connects to the Communication cartridge)



● FC3A OpenNet Controller, FC4A/5A/6A MICROSmart and FT1A SmartAXIS Pro/Lite (Connects via Ethernet)

The 1:N communication can be established by using the following connections.

- FC3A OpenNet Controller (Connects to the Web Server Unit)
- FC4A/5A MICROSmart (Connects to the Web Server Unit)
- FC5A MICROSmart (Connects to the Ethernet port of the FC5A-D12\*1E)
- FC6A MICROSmart (Connects to the Ethernet port)
- FT1A SmartAXIS Pro/Lite (Connects to the Ethernet port)



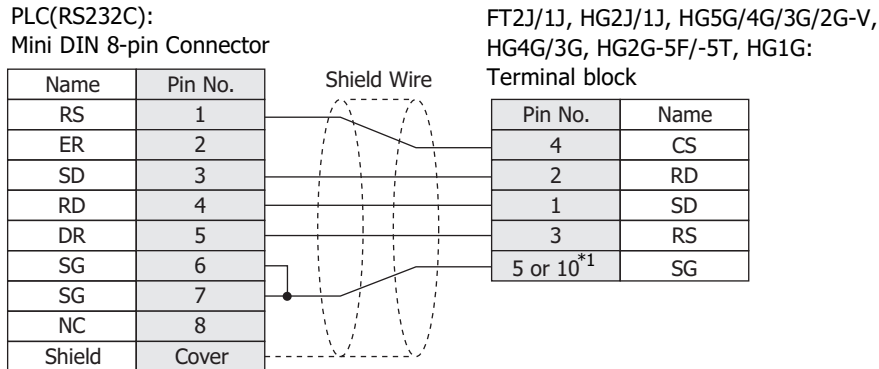
- Use a crossover cable to connect the main unit and PLC directly.
- When using a hub (Ethernet switch), use a cable that can be used with the hub.

## 1.4 Connection Diagram

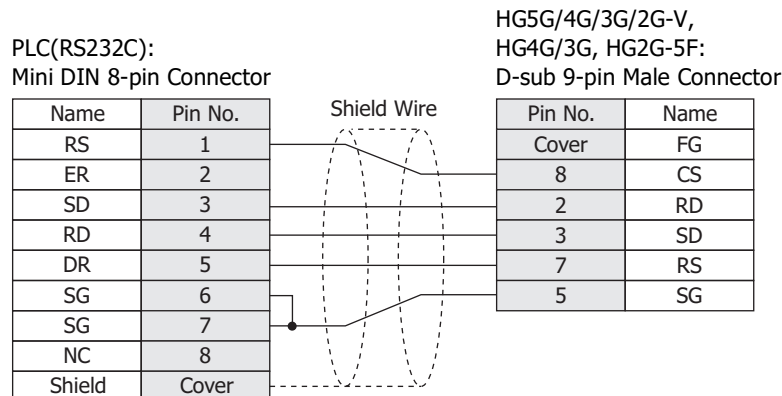


The connector types given in the Connection Diagrams are for the unit and not the cable. For details regarding wiring, refer to Chapter 1 "3 Important Points Regarding Wiring" on page 1-4.

### ● Connection Diagram 1: FC3A OpenNet Controller and FC4A/5A MICROSmart (RS232C port)



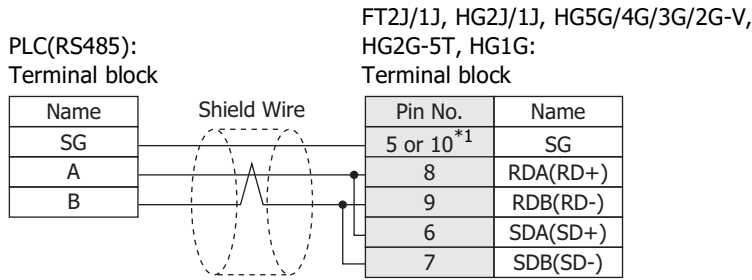
In case of the FT2J/1J, HG2J/1J, HG5G/4G/3G/2G-V, HG4G/3G, HG2G-5F/-5T, HG1G, a communication cable (Type Number: FC2A-KP1C, HG9Z-XC275) is available. Refer to Chapter 7 "1.1 User Communication, Printer or PLC communication cable (Type Number: FC2A-KP1C, HG9Z-XC275)" on page 7-1 about the connection diagram of these cables.



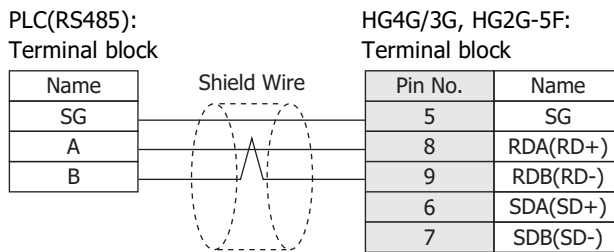
In case of the HG5G/4G/3G/2G-V, HG4G/3G, HG2G-5F a communication cable (Type Number: HG9Z-XC295) is available. Refer to Chapter 7 "1.2 PLC communication cable (Type Number: HG9Z-XC295)" on page 7-2 about the connection diagram of the HG9Z-XC295.

\*1 FT1J, HG1J only

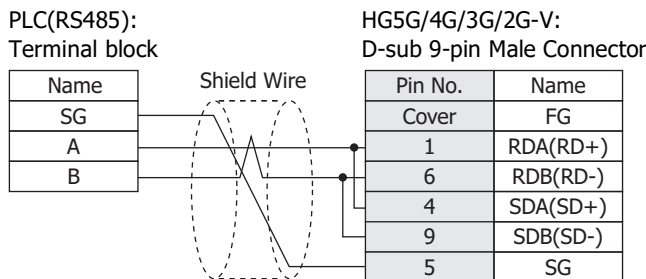
- Connection Diagram 2: FC3A OpenNet Controller and FC4A/5A MICROSmart (RS485 port)  
 FC5A MICROSmart (FC5A-SIF4)  
 FC6A MICROSmart (FC6A-PC3, RS485 port of FC6A-SIF52)  
 FT1A SmartAXIS Pro/Lite (FT1A-PC3)



Insert a terminating resistor, if necessary. For the setting method, refer to Chapter 1 "3 Important Points Regarding Wiring" on page 1-4.



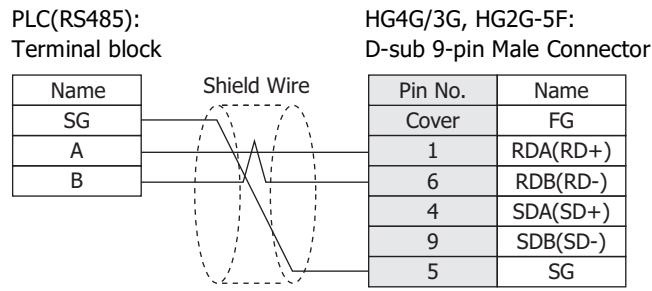
Insert a terminating resistor, if necessary. For the setting method, refer to Chapter 1 "3 Important Points Regarding Wiring" on page 1-4.



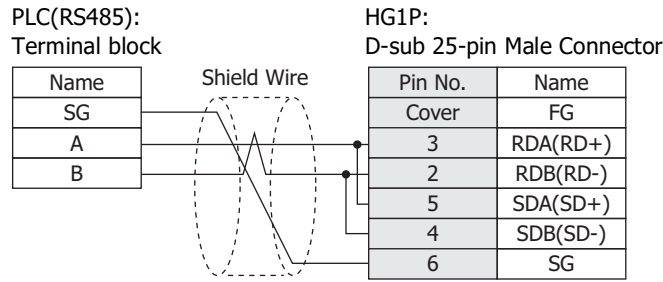
When connecting COM1 on the HG5G/4G/3G/2G-V to the external device, do not insert terminating resistor to the external device.

\*1 FT1J, HG1J only

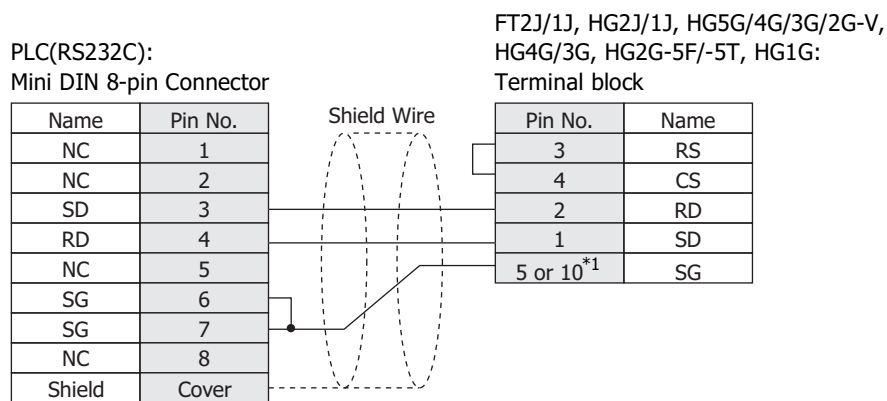




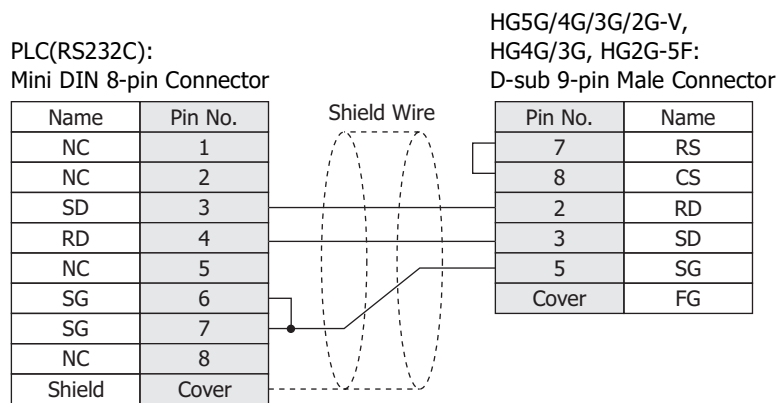
When connecting COM1 on the HG4G/3G, HG2G-5F to the external device, do not insert terminating resistor to the external device.



● Connection Diagram 3: FC4A/5A MICROSmart (Port 1)  
FT1A SmartAXIS Pro/Lite (FT1A-PC1)



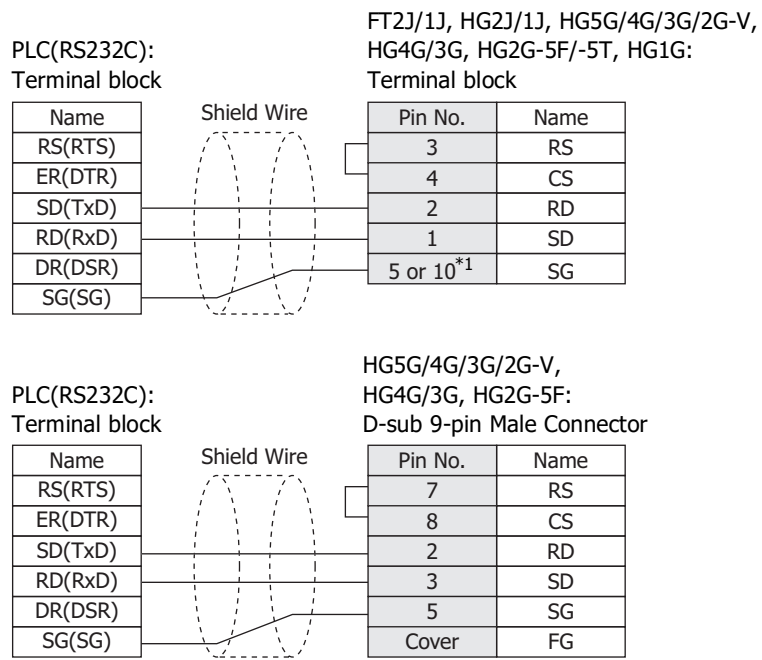
In case of the FT2J/1J, HG2J/1J, HG5G/4G/3G/2G-V, HG4G/3G, HG2G-5F/-5T, HG1G a communication cable (Type Number: FC2A-KP1C, HG9Z-XC275) is available. Refer to Chapter 7 "1.1 User Communication, Printer or PLC communication cable (Type Number: FC2A-KP1C, HG9Z-XC275)" on page 7-1 about the connection diagram of these cables.



In case of the HG5G/4G/3G/2G-V, HG4G/3G, HG2G-5F a communication cable (Type Number: HG9Z-XC295) is available. Refer to Chapter 7 "1.2 PLC communication cable (Type Number: HG9Z-XC295)" on page 7-2 about the connection diagram of the HG9Z-XC295.

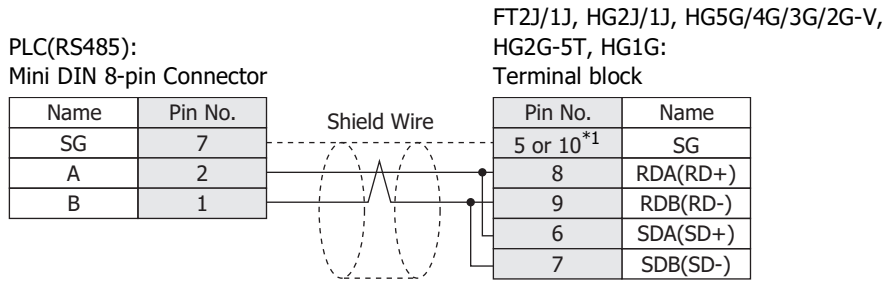
\*1 FT1J, HG1J only

● Connection Diagram 4: FC5A MICROSmart (FC5A-SIF2)  
FC6A MICROSmart (RS232C port of FC6A-SIF52)



\*1 FT1J, HG1J only

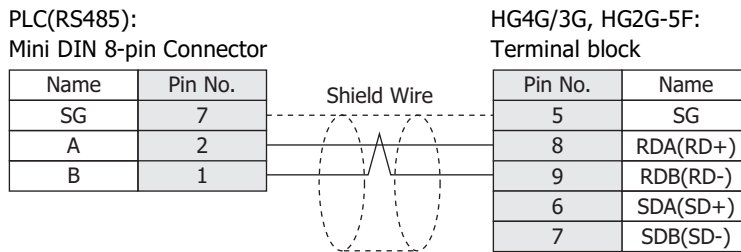
● Connection Diagram 5: FT1A SmartAXIS Pro/Lite (FT1A-PC2)



Insert a terminating resistor, if necessary. For the setting method, refer to Chapter 1 "3 Important Points Regarding Wiring" on page 1-4.



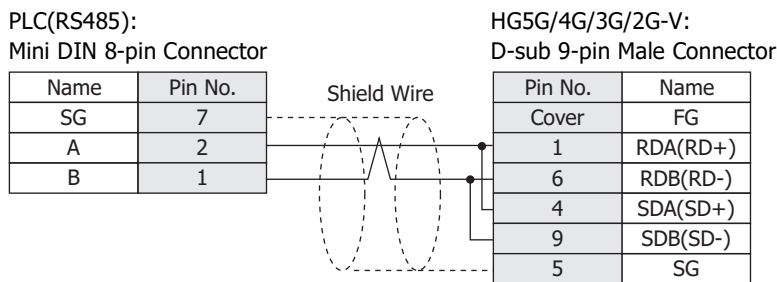
In case of the FT2J/1J, HG2J/1J, HG5G/4G/3G/2G-V, HG2G-5T, HG1G a communication cable (Type Number: FC2A-KP1C, HG9Z-XC275) is available. Refer to Chapter 7 "1.1 User Communication, Printer or PLC communication cable (Type Number: FC2A-KP1C, HG9Z-XC275)" on page 7-1 about the connection diagram of these cables.



Insert a terminating resistor, if necessary. For the setting method, refer to Chapter 1 "3 Important Points Regarding Wiring" on page 1-4.



In case of the HG4G/3G, HG2G-5F, a communication cable (Type Number: FC2A-KP1C, HG9Z-XC275) is available. Refer to Chapter 7 "1.1 User Communication, Printer or PLC communication cable (Type Number: FC2A-KP1C, HG9Z-XC275)" on page 7-1 about the connection diagram of these cables.



When connecting COM1 on the HG5G/4G/3G/2G-V to the external device, do not insert terminating resistor to the external device.

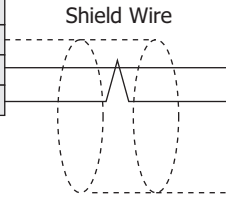
\*1 FT1J, HG1J only

PLC(RS485):  
Mini DIN 8-pin Connector

Name	Pin No.
SG	7
A	2
B	1

HG4G/3G, HG2G-5F:  
D-sub 9-pin Male Connector

Pin No.	Name
Cover	FG
1	RDA(RD+)
6	RDB(RD-)
4	SDA(SD+)
9	SDB(SD-)
5	SG



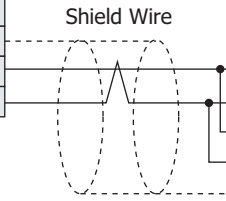
When connecting COM1 on the HG4G/3G, HG2G-5F to the external device, do not insert terminating resistor to the external device.

PLC(RS485):  
Mini DIN 8-pin Connector

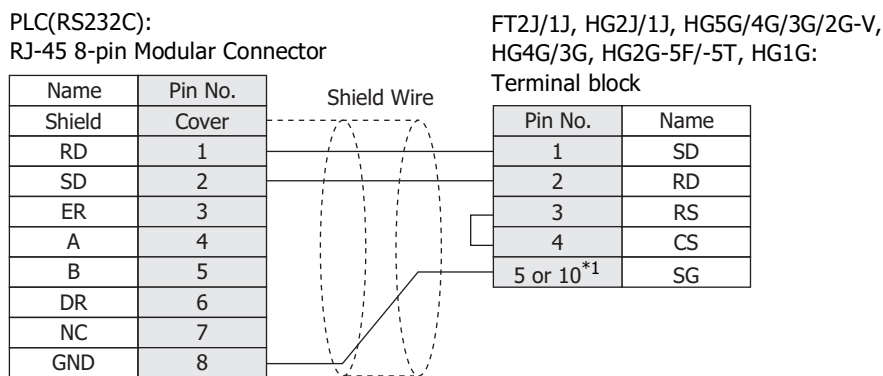
Name	Pin No.
SG	7
A	2
B	1

HG1P:  
D-sub 25-pin Male Connector

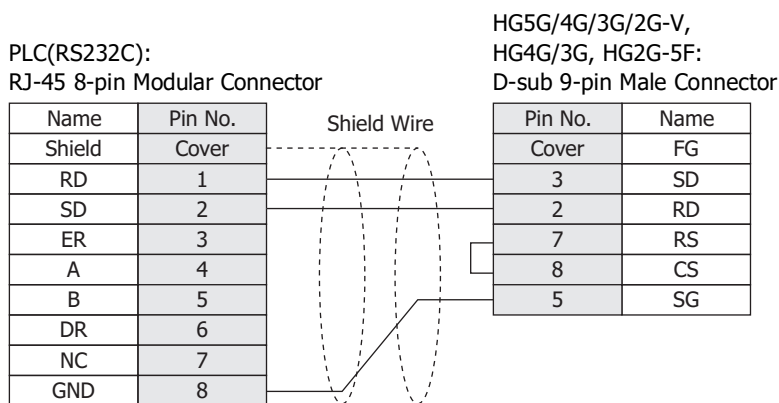
Pin No.	Name
Cover	FG
3	RDA(RD+)
2	RDB(RD-)
5	SDA(SD+)
4	SDB(SD-)
6	SG



● Connection Diagram 6: FC6A MICROSmart (Connects the Port 1 of the FC6A-C\*\*\*\*\*E used as RS232C port)



In case of the FT2J/1J, HG2J/1J, HG5G/4G/3G/2G-V, HG4G/3G, HG2G-5F/-5T, HG1G a communication cable (Type Number: FC6A-KC1C) is available. Refer to Chapter 7 "1.5 User Communication or PLC communication cable (Type Number: FC6A-KC1C)" on page 7-4 about the connection diagram of the FC6A-KC1C.



In case of the HG5G/4G/3G/2G-V, HG4G/3G, HG2G-5F a communication cable (Type Number: FC6A-KC2C) is available. Refer to Chapter 7 "1.6 User Communication or PLC communication cable (Type Number: FC6A-KC2C)" on page 7-5 about the connection diagram of the FC6A-KC2C.

\*1 FT1J, HG1J only

● Connection Diagram 7: FC6A MICROSmart (Connects the Port 1 of the FC6A-C\*\*\*\*\*E used as RS485 port)

PLC(RS485):  
RJ-45 8-pin Modular Connector

Name	Pin No.
Shield	Cover
RD	1
SD	2
ER	3
A	4
B	5
DR	6
NC	7
GND	8

Shield Wire

FT2J/1J, HG2J/1J, HG5G/4G/3G/2G-V,  
HG2G-5T, HG1G:  
Terminal block

Pin No.	Name
8	RDA(RD+)
9	RDB(RD-)
6	SDA(SD+)
7	SDB(SD-)
5 or 10*1	SG



Insert a terminating resistor, if necessary. For the setting method, refer to Chapter 1 "3 Important Points Regarding Wiring" on page 1-4.



In case of the FT2J/1J, HG2J/1J, HG5G/4G/3G/2G-V, HG2G-5T, HG1G a communication cable (Type Number: FC6A-KC1C) is available. Refer to Chapter 7 "1.5 User Communication or PLC communication cable (Type Number: FC6A-KC1C)" on page 7-4 about the connection diagram of the FC6A-KC1C.

PLC(RS485):  
RJ-45 8-pin Modular Connector

Name	Pin No.
Shield	Cover
RD	1
SD	2
ER	3
A	4
B	5
DR	6
NC	7
GND	8

Shield Wire

HG4G/3G, HG2G-5F:  
Terminal block

Pin No.	Name
8	RDA(RD+)
9	RDB(RD-)
6	SDA(SD+)
7	SDB(SD-)
5	SG



Insert a terminating resistor, if necessary. For the setting method, refer to Chapter 1 "3 Important Points Regarding Wiring" on page 1-4.



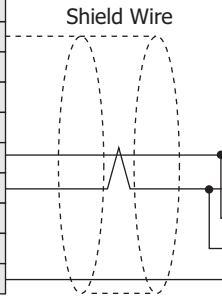
In case of the HG4G/3G, HG2G-5F a communication cable (Type Number: FC6A-KC1C) is available. Refer to Chapter 7 "1.5 User Communication or PLC communication cable (Type Number: FC6A-KC1C)" on page 7-4 about the connection diagram of the FC6A-KC1C.

\*1 FT1J, HG1J only

PLC(RS485):

RJ-45 8-pin Modular Connector

Name	Pin No.
Shield	Cover
RD	1
SD	2
ER	3
A	4
B	5
DR	6
NC	7
GND	8



HG5G/4G/3G/2G-V:

D-sub 9-pin Male Connector

Pin No.	Name
Cover	FG
1	RDA(RD+)
6	RDB(RD-)
4	SDA(SD+)
9	SDB(SD-)
5	SG

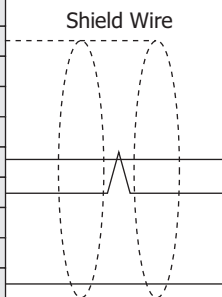


When connecting COM1 on the HG5G/4G/3G/2G-V to the external device, do not insert terminating resistor to the external device.

PLC(RS485):

RJ-45 8-pin Modular Connector

Name	Pin No.
Shield	Cover
RD	1
SD	2
ER	3
A	4
B	5
DR	6
NC	7
GND	8



HG4G/3G, HG2G-5F:

D-sub 9-pin Male Connector

Pin No.	Name
Cover	FG
1	RDA(RD+)
6	RDB(RD-)
4	SDA(SD+)
9	SDB(SD-)
5	SG

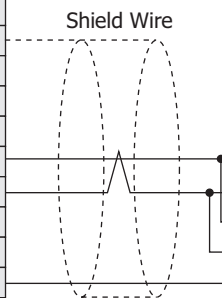


When connecting COM1 on the HG4G/3G, HG2G-5F to the external device, do not insert terminating resistor to the external device.

PLC(RS485):

RJ-45 8-pin Modular Connector

Name	Pin No.
Shield	Cover
RD	1
SD	2
ER	3
A	4
B	5
DR	6
NC	7
GND	8



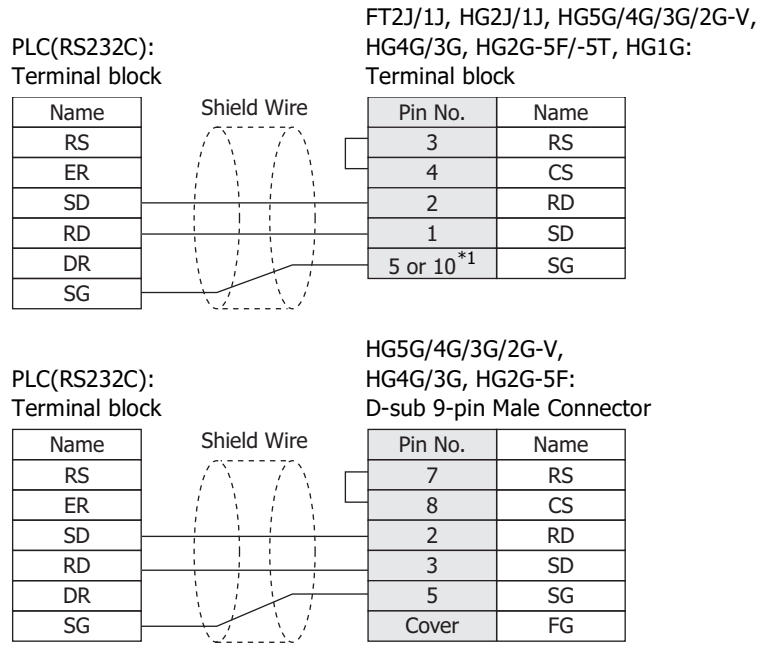
HG1P:

D-sub 25-pin Male Connector

Pin No.	Name
Cover	FG
3	RDA(RD+)
2	RDB(RD-)
5	SDA(SD+)
4	SDB(SD-)
6	SG



● Connection Diagram 8: FC6A MICROSmart (FC6A-PC1)



\*1 FT1J, HG1J only

## 1.5 Environment Settings

### ● FC3A OpenNet Controller, FC4A/5A/6A MICROSmart and FT1A SmartAXIS Pro/Lite (Serial)

Set the following items on the Project Settings dialog box in WindO/I-NV4.

Tab Name	Item	Setting
Communication Interface	Baud Rate *1	115200, 57600, 38400, 19200 or 9600 bps
	Data Bits	7
	Stop Bits	1
	Parity	Even
	Flow Control	None
	Serial Interface*2	RS232C, RS422/485 2-wire or RS422/485 4-wire
Communication Driver Network	Slave Number*3	Set the Station Number (0 to 31) of PLC.



Set the Special Internal Relay M8014 of FC3A OpenNet Controller to ON if you connect FC3A OpenNet Controller to the main unit.

### ● FC3A OpenNet Controller and FC4A/5A MICROSmart (Connects to Web Server Unit)

Set the following items on the Project Settings dialog box in WindO/I-NV4.

Tab Name	Item	Setting
Communication Interface	IP Address	Set the IP address for the main unit.
	Subnet Mask	Set the subnet mask for the main unit.
	Default Gateway	Set the default gateway for the main unit.
Communication Driver Network	IP Address	Set the IP address for Web Server Unit.
	Port Number	Set the port number for Web Server Unit.



Set the Special Internal Relay M8014 of FC3A OpenNet Controller to ON if you connect FC3A OpenNet Controller to the main unit.

### ● FC5A MICROSmart (FC5A-D12\*1E), FC6A MICROSmart and FT1A SmartAXIS Pro/Lite (Ethernet)

Set the following items on the Project Settings dialog box in WindO/I-NV4.

Tab Name	Item	Setting
Communication Interface	IP Address	Set the IP address for the main unit.
	Subnet Mask	Set the subnet mask for the main unit.
	Default Gateway	Set the default gateway for the main unit.
Communication Driver Network	IP Address	Set the IP address for PLC.
	Port Number	Set the port number for PLC.

\*1 The communication speed settings varies based on the PLC model. For details, refer to the PLC manual.

\*2 The interface settings varies based on the PLC model. For details, refer to the PLC manual.

\*3 Set a decimal number for the Slave Number of the main unit.

## 1.6 Usable Device Addresses

- MICROSmart(FC6A)(RS232C/485), MICROSmart(FC6A)(Ethernet)

### Bit Device

Device Name	Device Type		Address Number Range	Read/Write	Address Numeral System
	Main unit	PLC			
Internal Relay (Bit)	M	M	0 to 7997, 8000 to 9997, 10000 to 21247	R/W	*1
Input (Bit)	I	I	0 to 10597	R	*1
Output (Bit)	Q	Q	0 to 10597	R/W	*1
Timer (Contact)	T	T	0 to 1999	R	Decimal
Counter (Contact)	C	C	0 to 511	R	Decimal
Shift Register (Bit)	R	R	0 to 255	R	Decimal

### Word Device

Device Name	Device Type		Address Number Range	Read/Write	Address Numeral System
	Main unit	PLC			
Data Register	D	D	0 to 61999, 70000 to 269999	R/W	Decimal
Input (Word)	WI	I	0 to 10580	R	Decimal* <sup>2</sup>
Output (Word)	WQ	Q	0 to 10580	R/W	Decimal* <sup>2</sup>
Internal Relay (Word)	WM	M	0 to 7980, 8000 to 9980, 10000 to 21220	R/W	Decimal* <sup>2</sup>
Timer Current Value	TC	TC	0 to 1999	R	Decimal
Counter Current Value	CC	CC	0 to 511	R	Decimal
Timer Preset Value	TP	TP	0 to 1999	R/W	Decimal
Counter Preset Value	CP	CP	0 to 511	R/W	Decimal
Shift Register (Word)	WR	R	0 to 240	R	Decimal* <sup>3</sup>
Index register	P	P	0 to 151	R	* <sup>4</sup>



Usage limitations may exist for PLC devices depending on the operating conditions. Refer to the PLC manual to confirm performance under your actual operating conditions.

\*1 Set the last digit of this address number in octal.

\*2 Set this address number in multiples of 20.

\*3 Set this address number in multiples of 16.

\*4 This device is a 32-bit device. The first two digits indicate the address number in decimal, and the last digit indicates whether the data is an upper or a lower word of 32-bit data in binary.

- OpenNet, MICROSmart, SmartAXIS Pro/Lite(RS232C/485),  
OpenNet, MICROSmart, SmartAXIS Pro/Lite(Ethernet)

### Bit Device

Device Name	Device Type		Address Number Range	Read/Write	Address Numeral System
	Main unit	PLC			
Internal Relay (Bit)	M	M	0 to 7997, 8000 to 9997, 10000 to 21247	R/W	*1
Input (Bit)	I	I	0 to 10597	R	*1
Output (Bit)	Q	Q	0 to 10597	R/W	*1
Timer (Contact)	T	T	0 to 1999	R	Decimal
Counter (Contact)	C	C	0 to 511	R	Decimal
Shift Register (Bit)	R	R	0 to 255	R	Decimal

### Word Device

Device Name	Device Type		Address Number Range	Read/Write	Address Numeral System
	Main unit	PLC			
Data Register	D	D	0 to 61999, 70000 to 269999	R/W	Decimal
Input (Word)	WI	I	0 to 10580	R	Decimal*2
Output (Word)	WQ	Q	0 to 10580	R/W	Decimal*2
Internal Relay (Word)	WM	M	0 to 7980, 8000 to 9980, 10000 to 21220	R/W	Decimal*2
Timer Current Value	TC	TC	0 to 1999	R	Decimal
Counter Current Value	CC	CC	0 to 511	R	Decimal
Timer Preset Value	TP	TP	0 to 1999	R/W	Decimal
Counter Preset Value	CP	CP	0 to 511	R/W	Decimal
Link Register	L	L	100 to 1317	R/W	*1
Shift Register (Word)	WR	R	0 to 240	R	Decimal*3
Error Register	E	-	0 to 5	R/W	Decimal



Set the Special Internal Relay M8014 of FC3A OpenNet Controller to ON.



Usage limitations may exist for PLC devices depending on the operating conditions. Refer to the PLC manual to confirm performance under your actual operating conditions.

\*1 Set the last digit of this address number in octal.

\*2 Set this address number in multiples of 20.

\*3 Set this address number in multiples of 16.

## 2 Mitsubishi Electric

### 2.1 Connection Table

● PLC

CPU Unit	Link Unit	WindO/I-NV4 Settings		
		Interface	Flow Control	Communication Driver
<b>MELSEC-A</b>				
A1N A2N A3N	AJ71C24 AJ71C24-S3 AJ71C24-S6 AJ71C24-S8 AJ71UC24	RS232C Connection Diagram 1 (Page 2-39)	ER	MELSEC-AnN(LINK)
		RS422/485 4-wire Connection Diagram 2 (Page 2-40)	None	
A1SH	A1SJ71C24-R2 A1SJ71UC24-R2	RS232C Connection Diagram 3 (Page 2-41)	ER	
	A1SJ71C24-R4 A1SJ71UC24-R4	RS422/485 4-wire Connection Diagram 2 (Page 2-40)	None	
A2CCPUC24	Not required (Connects to CPU Module)	RS232C Connection Diagram 3 (Page 2-41)	ER	
A0J2 A0J2H	A0J2-C214-S1	RS232C Connection Diagram 1 (Page 2-39) RS422/485 4-wire Connection Diagram 2 (Page 2-40)	None	
A2A A3A A2U A3U A4U	AJ71C24-S6 AJ71C24-S8 AJ71UC24	RS232C Connection Diagram 1 (Page 2-39) RS422/485 4-wire Connection Diagram 2 (Page 2-40)	ER None	MELSEC-AnA(Link)
A2US A2USH-S1	A1SJ71C24-R2 A1SJ71UC24-R2 A1SJ71C24-R4	RS232C Connection Diagram 3 (Page 2-41) RS422/485 4-wire Connection Diagram 2 (Page 2-40)	ER None	
<b>MELSEC-QnA</b>				
Q4ACPU Q4ARCPU Q3ACPU Q2ACPU-S1 Q2ACPU	AJ71QC24N-R2	RS232C Connection Diagram 1 (Page 2-39)	ER	MELSEC-Q/QnA (LINK)
	AJ71QC24N	RS422/485 4-wire Connection Diagram 2 (Page 2-40)	None	
	AJ71QC24N-R4	RS422/485 4-wire Connection Diagram 9 (Page 2-46)		
	AJ71QE71N3-T AJ71QE71N-B2 AJ71QE71N-B5	Ethernet	-	MELSEC-Q/QnA (Ethernet)
Q2ASHCPU-S1 Q2ASHCPU Q2ASCPU-S1 Q2ASCPU	A1SJ71QC24N-R2	RS232C Connection Diagram 3 (Page 2-41)	ER	MELSEC-Q/QnA (LINK)
	A1SJ71QC24N	RS422/485 4-wire Connection Diagram 2 (Page 2-40)	None	
	A1SJ71QE71N3-T A1SJ71QE71N-B2 A1SJ71QE71N-B5	Ethernet	-	MELSEC-Q/QnA (Ethernet)

CPU Unit	Link Unit	WindO/I-NV4 Settings			
		Interface	Flow Control	Communication Driver	
<b>MELSEC-Q</b>					
Q00CPU Q01CPU Q00UJCPU Q00UCPU Q01UCPU Q02UCPU	Not required (Connects to CPU Module)	RS232C Connection Diagram 6 (Page 2-43) Connection Diagram 7 (Page 2-44)	ER	MELSEC-Q/QnA (LINK)	
Q02CPU Q02HCPU Q06HCPU Q12HCPU Q25HCPU Q00UJCPU Q00UCPU Q01UCPU Q02UCPU Q03UDCPU Q04UDHCPU Q06UDHCPU Q10UDHCPU Q13UDHCPU Q20UDHCPU Q26UDHCPU	QJ71C24N-R2	RS232C Connection Diagram 3 (Page 2-41)			
Q03UDECPU Q04UDEHCPU Q06UDEHCPU Q10UDEHCPU Q13UDEHCPU Q20UDEHCPU Q26UDEHCPU Q50UDEHCPU Q100UDEHCPU Q03UDVCPU Q04UDVCPU Q06UDVCPU Q13UDVCPU Q26UDVCPU	QJ71C24N	RS422/485 4-wire Connection Diagram 2 (Page 2-40)	None		
Q02CPU Q02HCPU	Not required (Connects to CPU Module)	RS232C Connection Diagram 6 (Page 2-43) Connection Diagram 7 (Page 2-44)	ER		MELSEC-Q (CPU)
Q00JCPU Q00CPU Q01CPU Q02CPU Q02HCPU Q06HCPU Q12HCPU Q25HCPU Q00UJCPU Q00UCPU Q01UCPU Q02UCPU Q03UDCPU Q04UDHCPU Q06UDHCPU Q10UDHCPU Q13UDHCPU Q20UDHCPU Q26UDHCPU	QJ71E71-100 QJ71E71-B2 QJ71E71-B5	Ethernet	-		MELSEC-Q/QnA (Ethernet)

CPU Unit	Link Unit	WindO/I-NV4 Settings		
		Interface	Flow Control	Communication Driver
Q03UDECPU Q04UDEHCPU Q06UDEHCPU Q10UDEHCPU Q13UDEHCPU Q20UDEHCPU Q26UDEHCPU Q50UDEHCPU Q100UDEHCPU Q03UDVCPU Q04UDVCPU Q06UDVCPU Q13UDVCPU Q26UDVCPU	Not required (Connects to CPU Module)	Ethernet	-	MELSEC-Q/QnA (Ethernet)
QJ71E71-100 QJ71E71-B2 QJ71E71-B5				
<b>MELSEC-FX</b>				
FX1 FX2 FX2C	Not required (Connects to CPU Module)	RS422/485 4-wire Connection Diagram 4 (Page 2-42)	None	MELSEC-FX(CPU)
FX0 FX0N FX0S FX1S	Not required (Connects to CPU Module)	RS422/485 4-wire Connection Diagram 4 (Page 2-42) RS422/485 4-wire Connection Diagram 10 (Page 2-47)		
FX1NC FX2NC	Not required (Connects to CPU Module)	RS422/485 4-wire Connection Diagram 4 (Page 2-42) RS422/485 4-wire Connection Diagram 10 (Page 2-47)	None	MELSEC-FX2N(CPU)
FX2NC-232ADP		RS232C Connection Diagram 8 (Page 2-45)		
FX1N	Not required (Connects to CPU Module)	RS422/485 4-wire Connection Diagram 4 (Page 2-42) RS422/485 4-wire Connection Diagram 10 (Page 2-47)	ER	MELSEC-FX2N(CPU)
	FX1N-232-BD*1	RS232C Connection Diagram 5 (Page 2-43)		
	FX1N-422-BD*1	RS422/485 4-wire Connection Diagram 4 (Page 2-42) RS422/485 4-wire Connection Diagram 10 (Page 2-47)	None	
	FX1N-CNV-BD + FX2NC-232ADP	RS232C Connection Diagram 8 (Page 2-45)		
FX2N	Not required (Connects to CPU Module)	RS422/485 4-wire Connection Diagram 4 (Page 2-42) RS422/485 4-wire Connection Diagram 10 (Page 2-47)	ER	MELSEC-FX2N(CPU)
	FX2N-232-BD*1	RS232C Connection Diagram 5 (Page 2-43)		
	FX2N-422-BD*1	RS422/485 4-wire Connection Diagram 4 (Page 2-42) RS422/485 4-wire Connection Diagram 10 (Page 2-47)	None	
	FX2N-CNV-BD + FX2NC-232ADP	RS232C Connection Diagram 8 (Page 2-45)		

\*1 These are expansion boards.

CPU Unit	Link Unit	WindO/I-NV4 Settings				
		Interface	Flow Control	Communication Driver		
FX3U FX3UC	Not required (Connects to CPU Module)	RS422/485 4-wire Connection Diagram 4 (Page 2-42)	None	MELSEC-FX3U(CPU)		
		RS422/485 4-wire Connection Diagram 10 (Page 2-47)				
	FX3U-232ADP or FX3U-CNV-BD + FX3U-232ADP	RS232C Connection Diagram 8 (Page 2-45)				
	FX3U-232-BD	RS232C Connection Diagram 8 (Page 2-45)				
	FX3U-ENET-L *2	Ethernet	-	MELSEC-FX3U(Ethernet)		
FX3G	Not required (Connects to CPU Module)	RS422/485 4-wire Connection Diagram 4 (Page 2-42)	None	MELSEC-FX3UC(CPU)		
		RS422/485 4-wire Connection Diagram 10 (Page 2-47)				
FX3G-CNV-ADP + FX3U-232ADP	RS232C Connection Diagram 8 (Page 2-45)					
FX3GC	Not required (Connects to CPU Module)	RS422/485 4-wire Connection Diagram 4 (Page 2-42)				
		RS422/485 4-wire Connection Diagram 10 (Page 2-47)				
	FX3U-232ADP	RS232C Connection Diagram 8 (Page 2-45)				
FX3S	Not required (Connects to CPU Module)	RS422/485 4-wire Connection Diagram 4 (Page 2-42)				
		RS422/485 4-wire Connection Diagram 10 (Page 2-47)				
FX1N FX1S	FX1N-232-BD	RS232C	None	MELSEC-FX(LINK)		
	FX1N-CNV-BD + FX2NC-232ADP	Connection Diagram 8 (Page 2-45)				
	FX1N-485-BD	RS422/485 4-wire Connection Diagram 11 (Page 2-48)				
		RS422/485 2-wire Connection Diagram 12 (Page 2-49)				
FX1N-CNV-BD + FX2NC-485ADP	RS422/485 4-wire Connection Diagram 11 (Page 2-48)					
	RS422/485 2-wire Connection Diagram 12 (Page 2-49)					
FX2N	FX2N-232-BD	RS232C			None	MELSEC-FX(LINK)
	FX2N-CNV-BD + FX2NC-232ADP	Connection Diagram 8 (Page 2-45)				
	FX2N-485-BD	RS422/485 4-wire Connection Diagram 11 (Page 2-48)				
		RS422/485 2-wire Connection Diagram 12 (Page 2-49)				
	FX2N-CNV-BD + FX2NC-485ADP	RS422/485 4-wire Connection Diagram 11 (Page 2-48)				
		RS422/485 2-wire Connection Diagram 12 (Page 2-49)				

\*2 When connecting with MELSEC-FX3UC, FX2NC-CNV-IF or FX3UC-1PS-5V is required.



CPU Unit	Link Unit	WindO/I-NV4 Settings		
		Interface	Flow Control	Communication Driver
FX1NC FX2NC	FX2NC-232ADP	RS232C Connection Diagram 8 (Page 2-45)	None	MELSEC-FX(LINK)
	FX2NC-485ADP	RS422/485 4-wire Connection Diagram 11 (Page 2-48)		
		RS422/485 2-wire Connection Diagram 12 (Page 2-49)		
FX3U	FX3U-232-BD	RS232C Connection Diagram 8 (Page 2-45)		
	FX3U-CNV-BD + FX3U-232ADP	RS422/485 4-wire Connection Diagram 11 (Page 2-48)		
	FX3U-485-BD	RS422/485 2-wire Connection Diagram 12 (Page 2-49)		
		RS422/485 4-wire Connection Diagram 11 (Page 2-48)		
	FX3U-CNV-BD + FX3U-485ADP	RS422/485 2-wire Connection Diagram 12 (Page 2-49)		
		RS422/485 4-wire Connection Diagram 11 (Page 2-48)		
FX3UC	FX3U-232-BD	RS232C Connection Diagram 8 (Page 2-45)		
	FX3U-232ADP	RS422/485 4-wire Connection Diagram 11 (Page 2-48)		
	FX3U-485-BD	RS422/485 2-wire Connection Diagram 12 (Page 2-49)		
		RS422/485 4-wire Connection Diagram 11 (Page 2-48)		
	FX3U-485ADP	RS422/485 2-wire Connection Diagram 12 (Page 2-49)		
		RS422/485 4-wire Connection Diagram 11 (Page 2-48)		
FX3G	FX3G-232-BD	RS232C Connection Diagram 8 (Page 2-45)		
	FX3G-CNV-ADP + FX3U-232ADP	RS422/485 4-wire Connection Diagram 11 (Page 2-48)		
	FX3G-485-BD	RS422/485 2-wire Connection Diagram 12 (Page 2-49)		
		RS422/485 4-wire Connection Diagram 11 (Page 2-48)		
	FX3G-CNV-ADP + FX3U-485ADP	RS422/485 2-wire Connection Diagram 12 (Page 2-49)		
		RS422/485 4-wire Connection Diagram 11 (Page 2-48)		
FX3GC	FX3U-232ADP	RS232C Connection Diagram 8 (Page 2-45)		
	FX3U-485ADP	RS422/485 4-wire Connection Diagram 11 (Page 2-48)		
		RS422/485 2-wire Connection Diagram 12 (Page 2-49)		
FX3S	FX3G-232-BD	RS232C Connection Diagram 8 (Page 2-45)		
	FX3G-485-BD	RS422/485 4-wire Connection Diagram 11 (Page 2-48)		
		RS422/485 2-wire Connection Diagram 12 (Page 2-49)		

CPU Unit	Link Unit	WindO/I-NV4 Settings		
		Interface	Flow Control	Communication Driver
<b>MELSEC iQ-F</b>				
FX5U	Not required (Connects to CPU Module)	RS422/485 4-wire Connection Diagram 11 (Page 2-48)	None	MELSEC-FX5U(LINK)
		RS422/485 2-wire Connection Diagram 12 (Page 2-49)		
	FX5-232-BD, FX5-232ADP	RS232C Connection Diagram 8 (Page 2-45)		
	FX5-485-BD, FX5-485ADP	RS422/485 4-wire Connection Diagram 11 (Page 2-48)		
		RS422/485 2-wire Connection Diagram 12 (Page 2-49)		
Not required (Connects to CPU Module)	Ethernet	-	MELSEC-FX5U(Ethernet)	
FX5UC	Not required (Connects to CPU Module)	RS422/485 4-wire Connection Diagram 11 (Page 2-48)	None	MELSEC-FX5U(LINK)
		RS422/485 2-wire Connection Diagram 12 (Page 2-49)		
	FX5-232ADP	RS232C Connection Diagram 8 (Page 2-45)		
	FX5-485ADP	RS422/485 4-wire Connection Diagram 11 (Page 2-48)		
		RS422/485 2-wire Connection Diagram 12 (Page 2-49)		
Not required (Connects to CPU Module)	Ethernet	-	MELSEC-FX5U(Ethernet)	

### ● Inverter

CPU Unit	WindO/I-NV4 Settings		
	Interface	Flow Control	Communication Driver
<b>FREQROL</b>			
FREQROL-E500 FREQROL-S500	RS422/485 4-wire Connection Diagram 13 (Page 2-50)	None	FREQROL

## 2.2 Supported Function

YES: Supported, NO: Not supported

Communication Driver	Functions	
	Pass-through function *1	1:N Communication function
MELSEC-Q(CPU)	YES	NO
MELSEC-FX(CPU)	YES	NO
MELSEC-FX2N(CPU)	YES	NO
MELSEC-FX3UC(CPU)	YES	NO
MELSEC-Q/QnA(Ethernet)	NO	YES
MELSEC-FX3U(Ethernet)	NO	YES
MELSEC-FX(LINK)	NO	YES

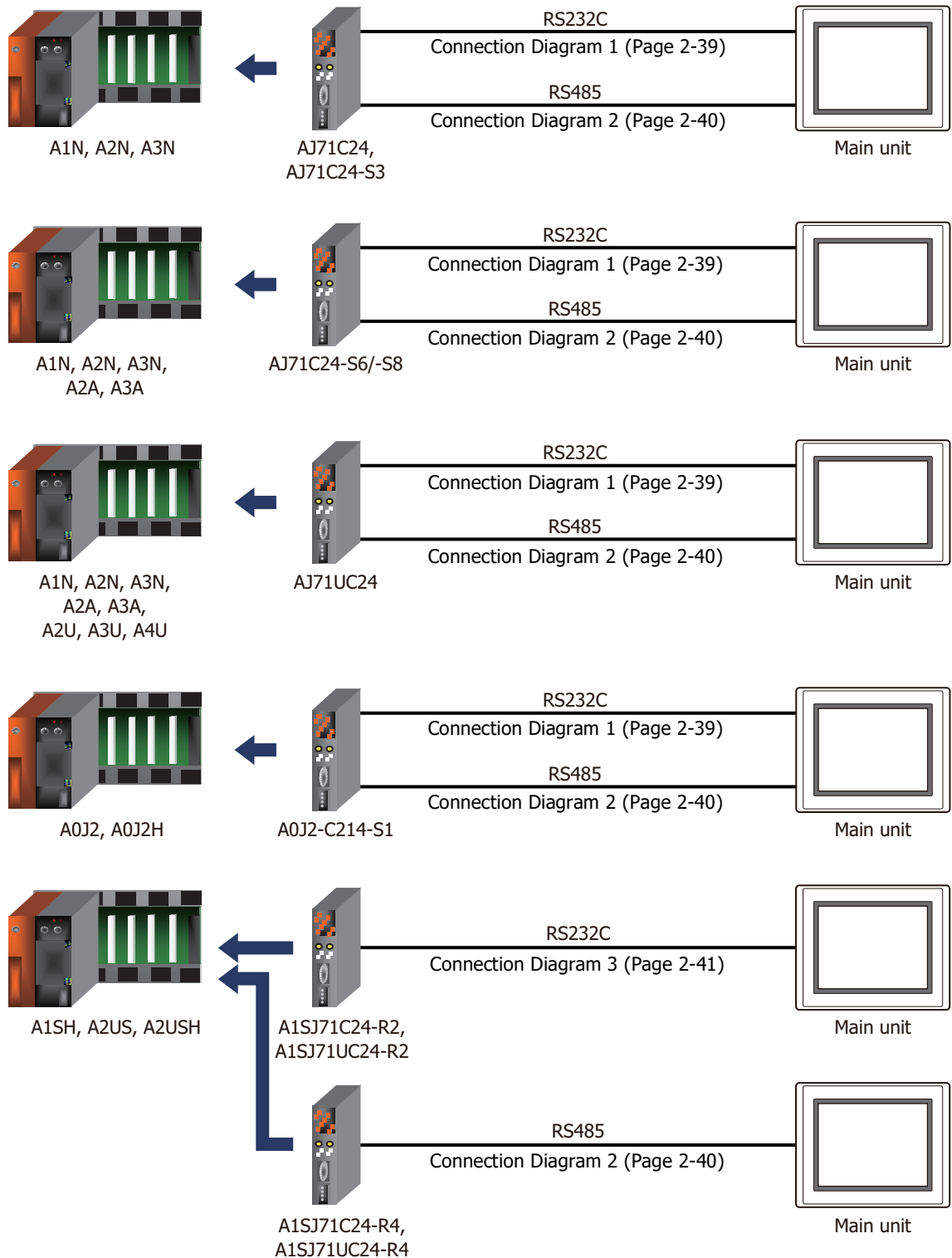
- Pass-through function (☞ Chapter 27 "Pass-Through Function" in the WindO/I-NV4 User's Manual)
- 1:N Communication function (☞ Chapter 6 "Communication with Multiple External Devices" on page 6-1)

\*1 HG5G/4G/3G/2G-V, HG4G/3G, HG2G-5F/-5T, HG1G/1P only

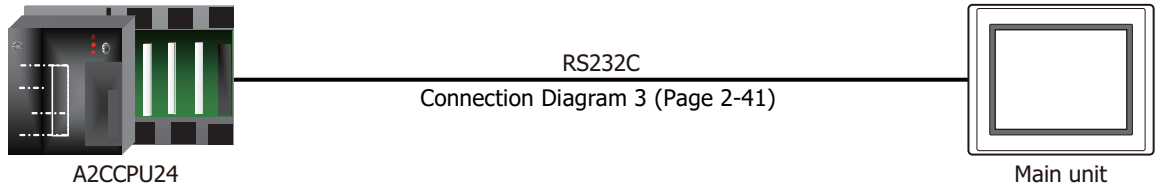
## 2.3 System Configuration

This is the system configuration for the connection of Mitsubishi Electric PLCs to the main unit.

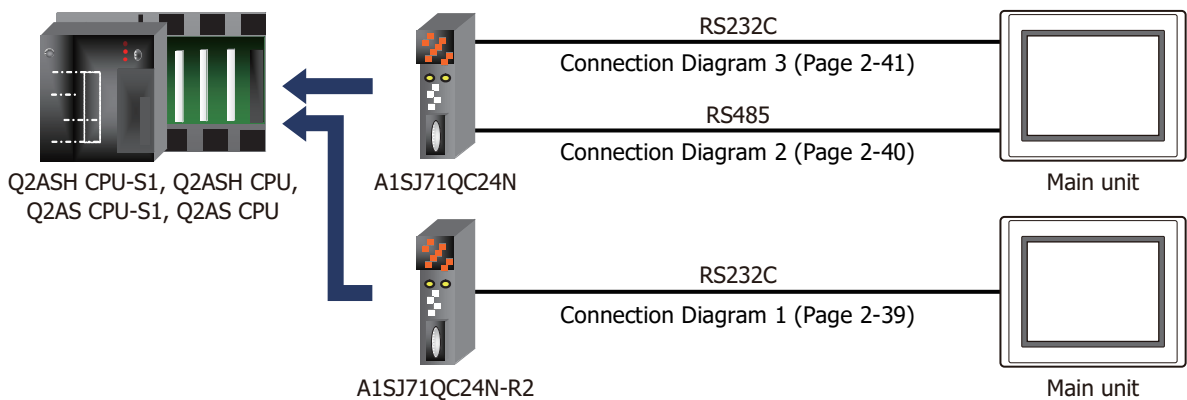
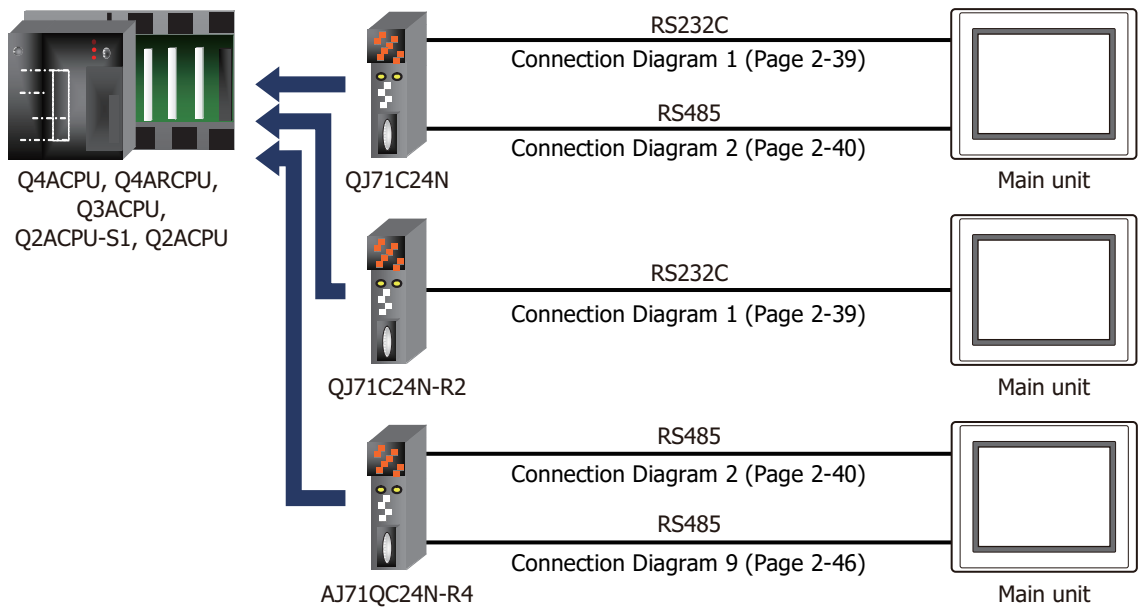
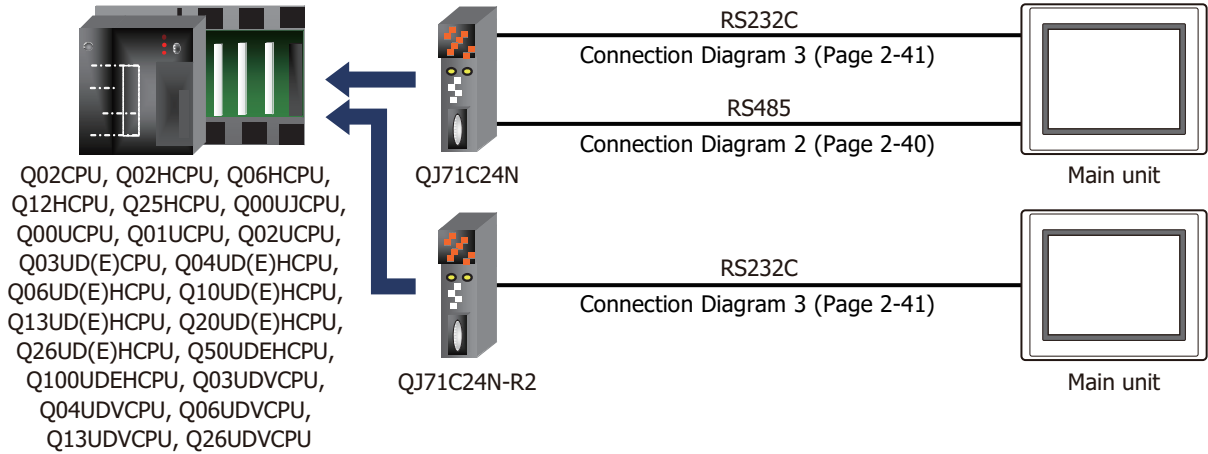
### ● MELSEC-A Series (Connects to Computer Link Unit)



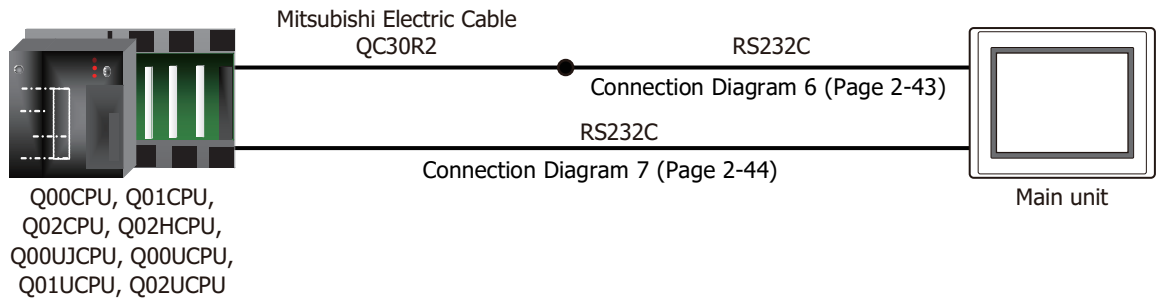
● MELSEC-A Series (Connects to CPU Module Link Interface)



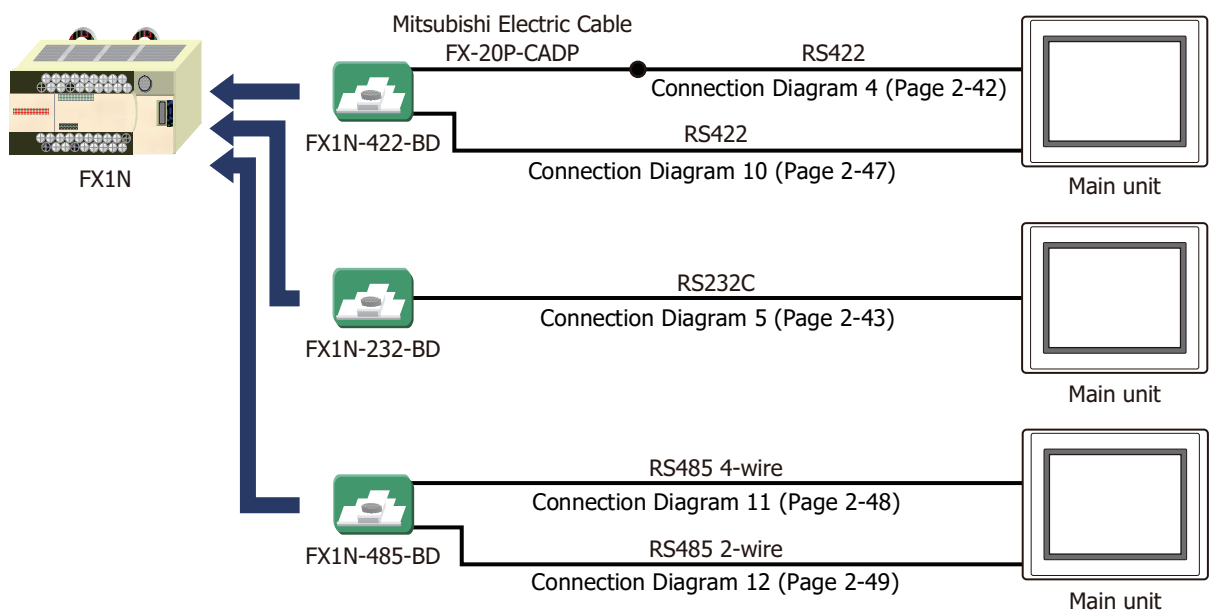
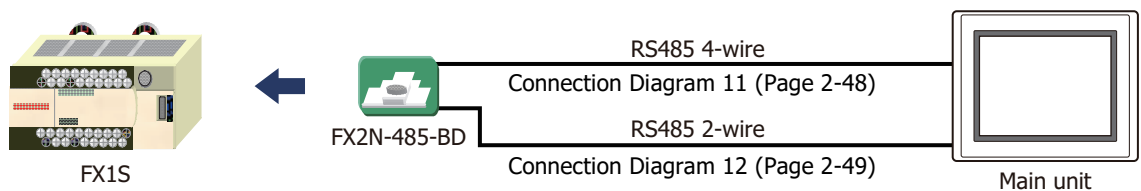
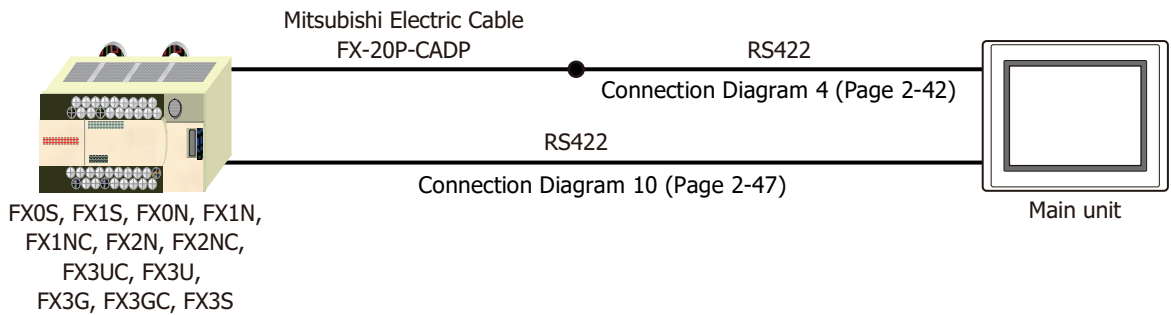
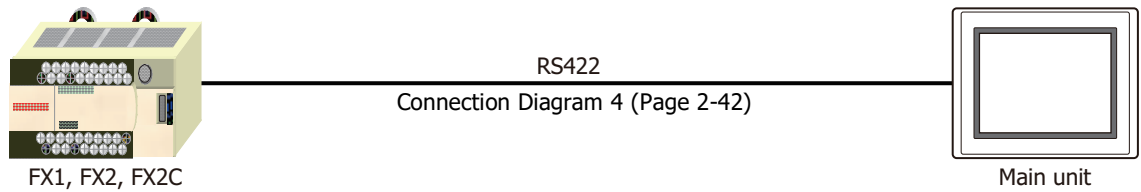
● MELSEC-Q/QnA Series (Connects to Computer Link Unit)

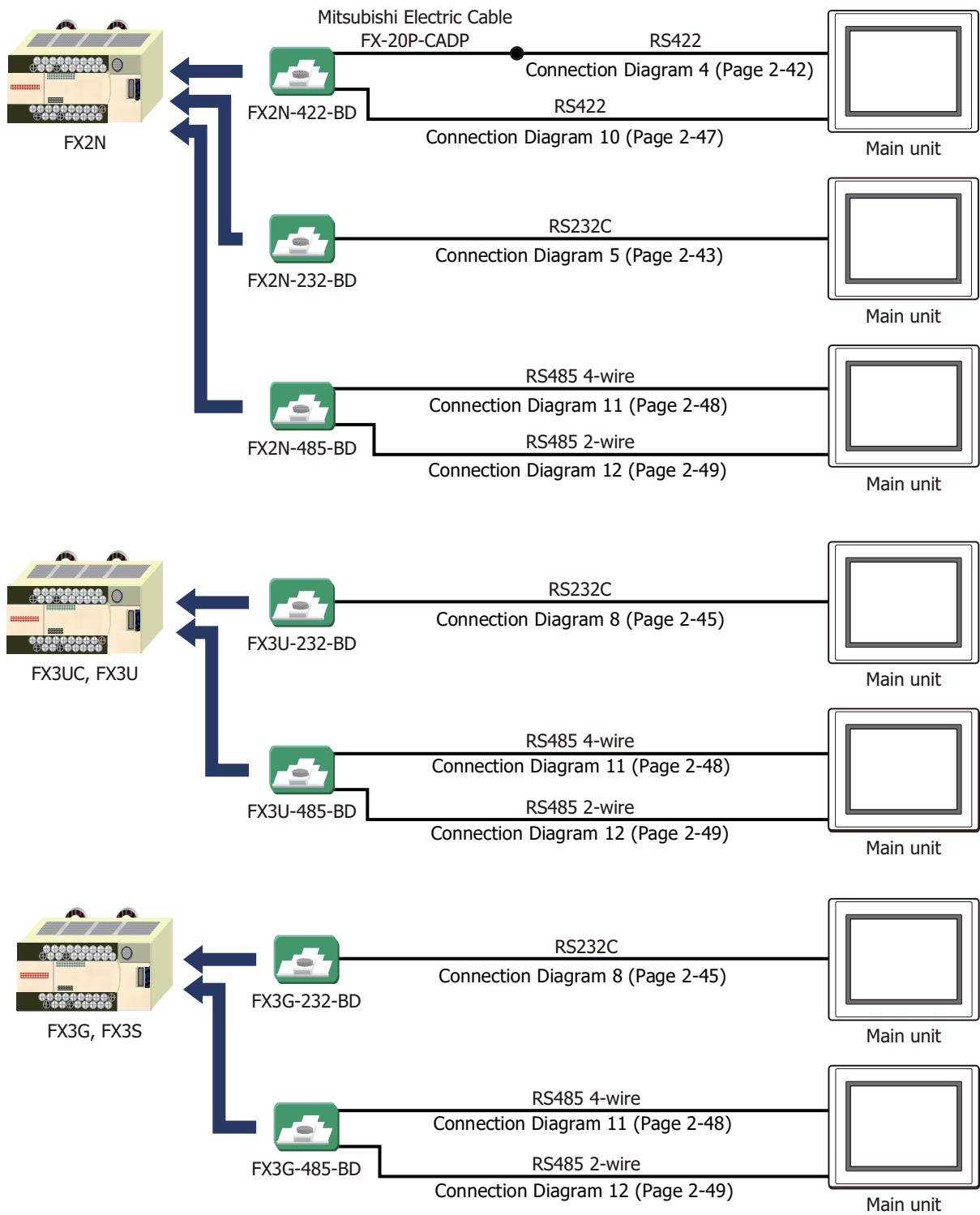


● MELSEC-Q Series (Connects to CPU Module Programming Port)

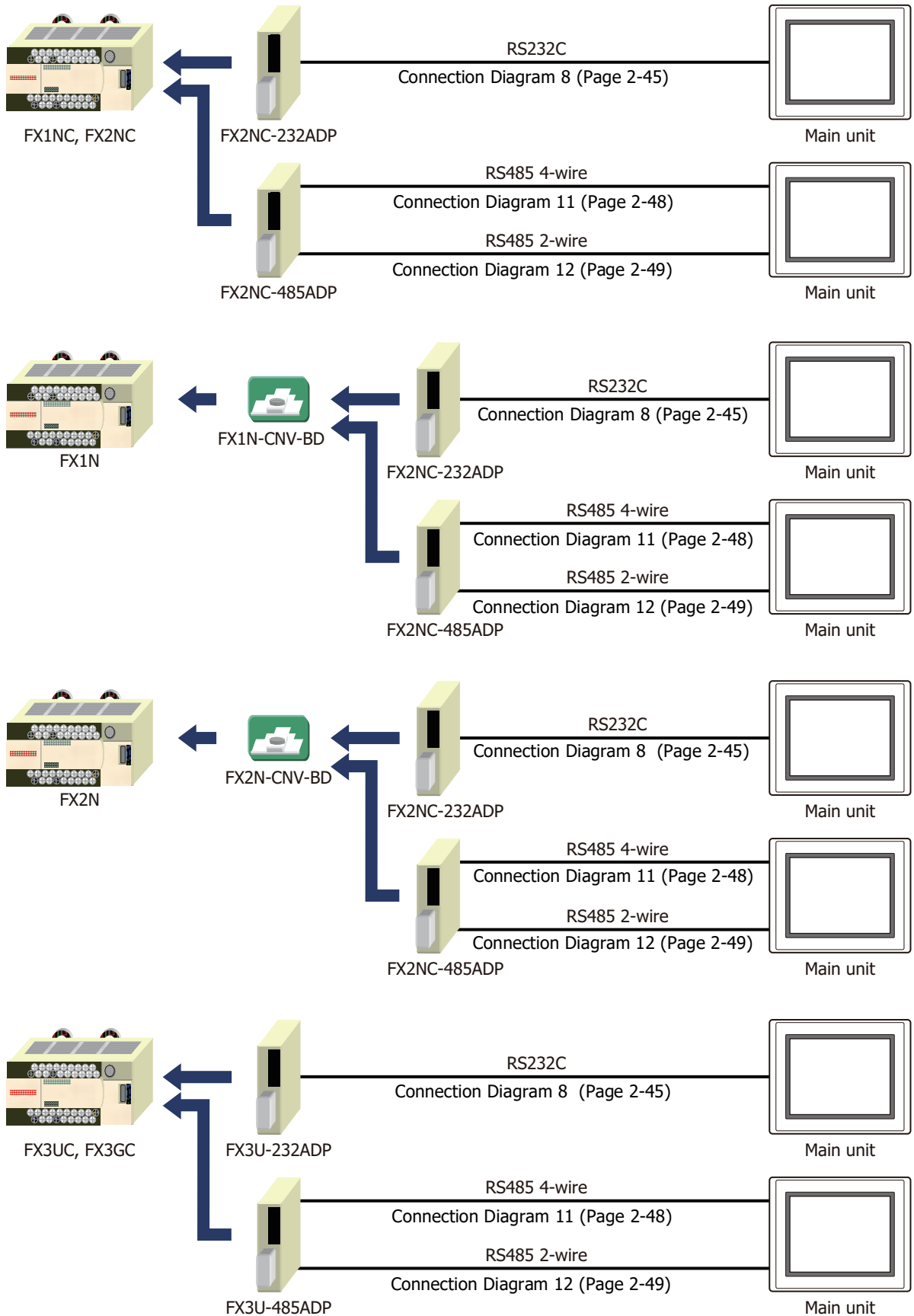


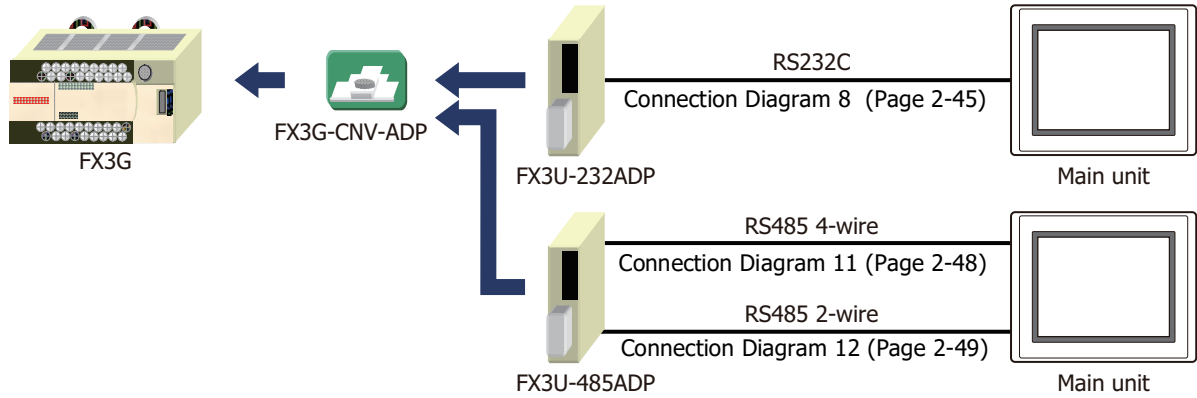
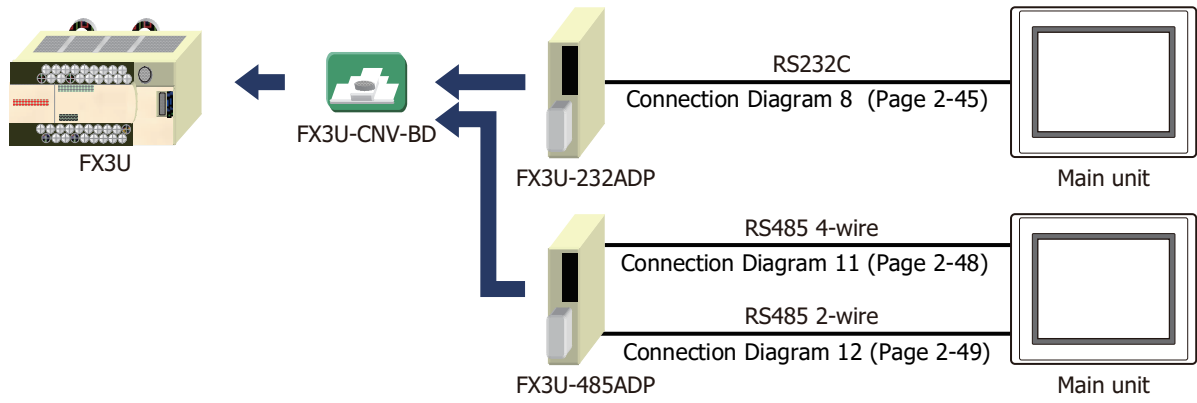
● MELSEC-FX Series (Connects to CPU Module Programming Port)



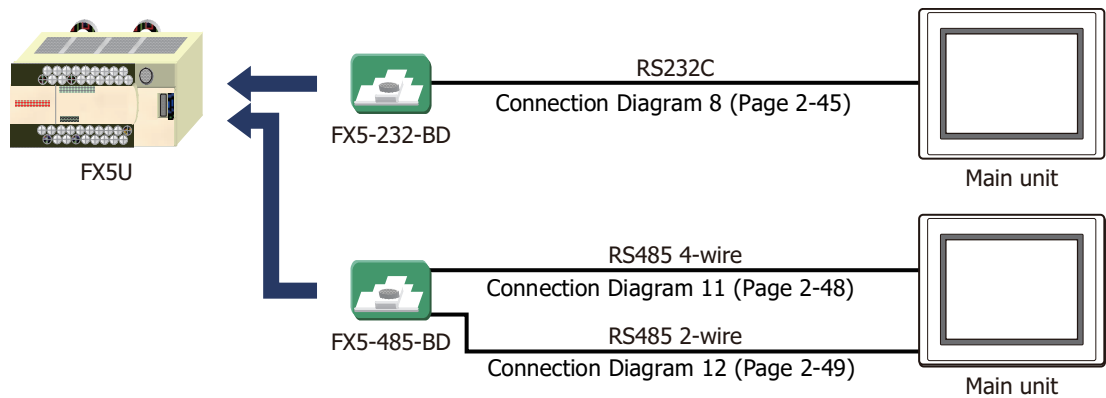
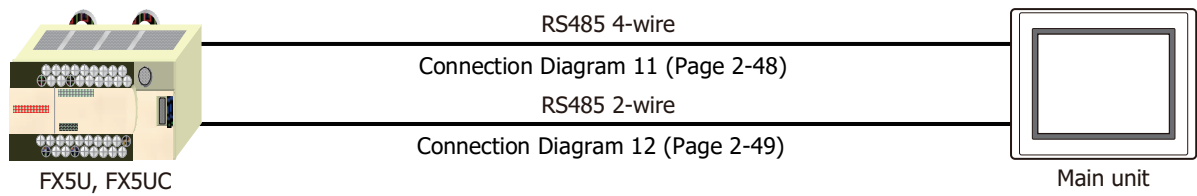


● MELSEC-FX Series (Connects to FX2NC-232ADP/-485ADP, FX3U-232ADP/-485ADP)

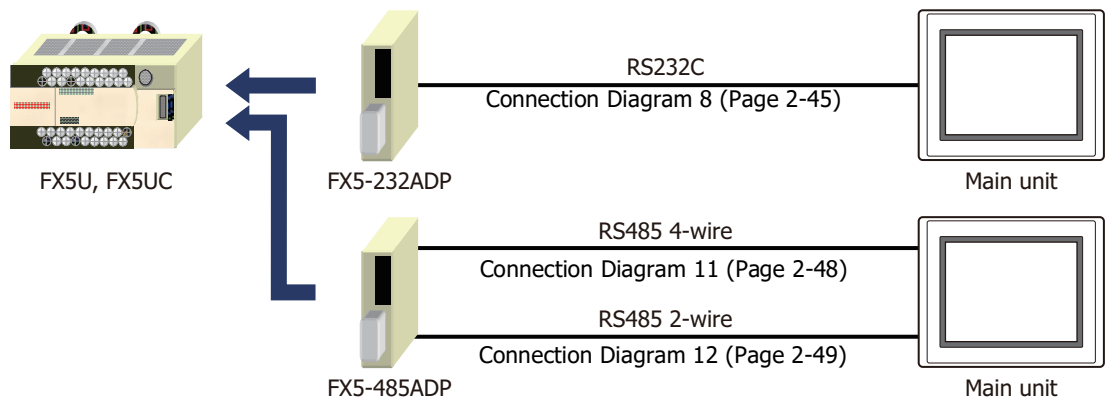




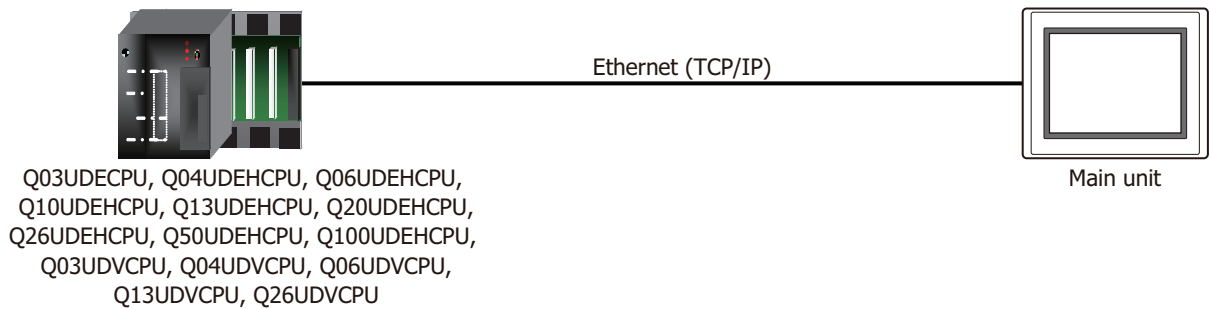
● MELSEC iQ-F Series



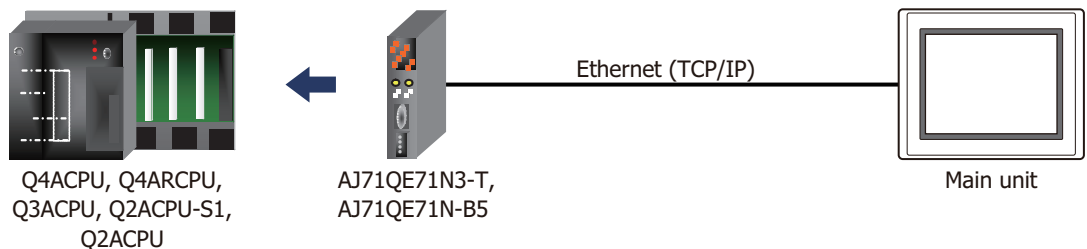
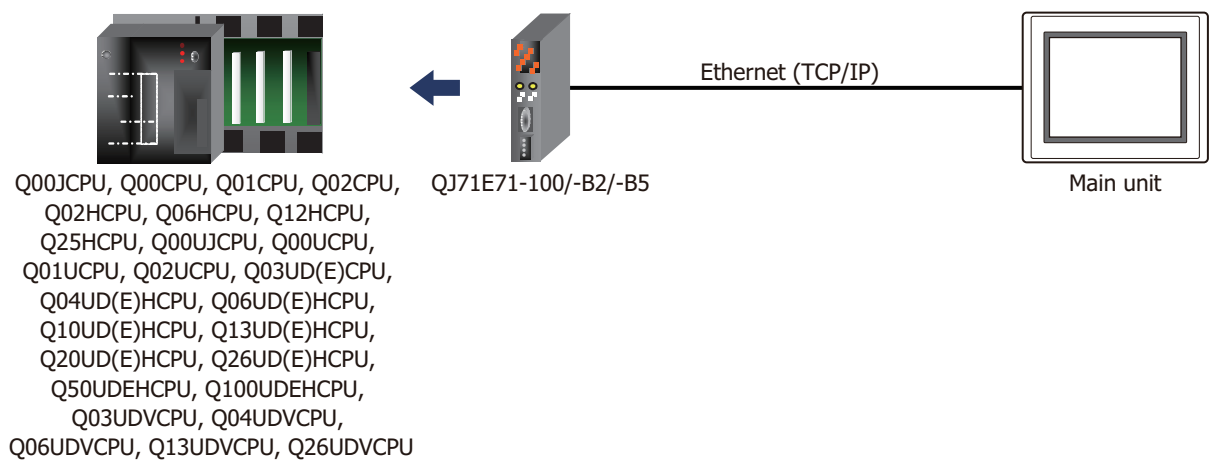


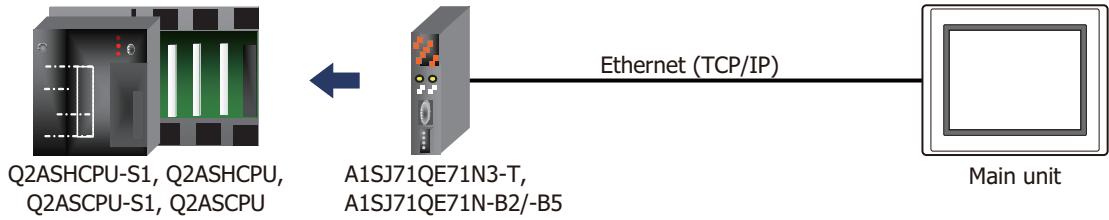


● MELSEC-Q/QnA Series (Connects to Ethernet port on CPU Module)



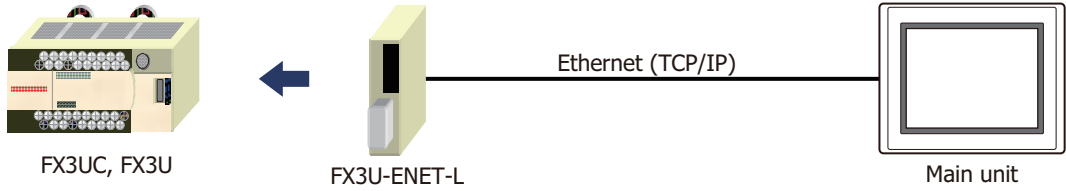
● MELSEC-Q/QnA Series (Connects to the Ethernet Unit)





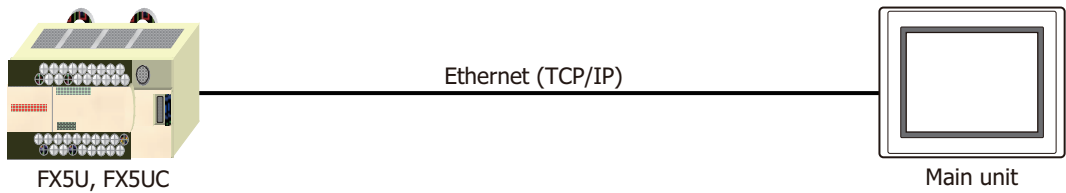
- Use a crossover cable to connect the main unit and PLC directly.
- When using a hub (Ethernet switch), use a cable that can be used with the hub.

● MELSEC-FX Series (Connects to the Ethernet Unit)

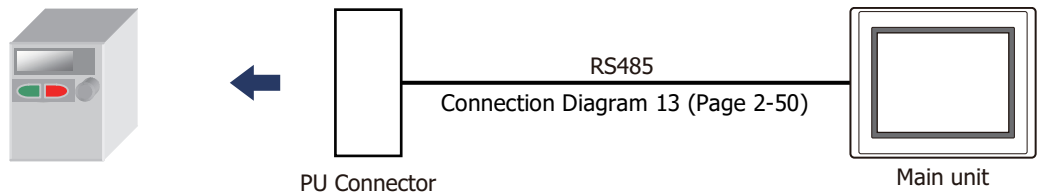


When connecting with MELSEC-FX3UC, FX2NC-CNV-IF or FX3UC-1PS-5V is required.

● MELSEC iQ-F Series (Connects to Ethernet port on CPU Module)



● Inverter



For details including the connection procedures, refer to the instruction manual provided with the Mitsubishi Electric inverter.

## 2.4 Connection Diagram



The connector types given in the Connection Diagrams are for the unit and not the cable. For details regarding wiring, refer to Chapter 1 "3 Important Points Regarding Wiring" on page 1-4.

### ● Connection Diagram 1: Computer Link Unit (RS232C)

PLC(RS232C):  
D-sub 25-pin Female Connector

Name	Pin No.
FG	1
SD	2
RD	3
RS	4
CS	5
DR	6
SG	7
CD	8
ER	20

Shield Wire

FT2J/1J, HG2J/1J, HG5G/4G/3G/2G-V,  
HG4G/3G, HG2G-5F/-5T, HG1G:  
Terminal block

Pin No.	Name
2	RD
1	SD
3	RS
5 or 10*1	SG
4	CS

PLC(RS232C):  
D-sub 25-pin Female Connector

Name	Pin No.
FG	1
SD	2
RD	3
RS	4
CS	5
DR	6
SG	7
CD	8
ER	20

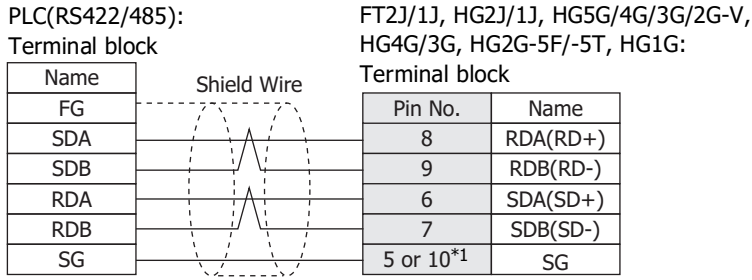
Shield Wire

HG5G/4G/3G/2G-V,  
HG4G/3G, HG2G-5F:  
D-sub 9-pin Male Connector

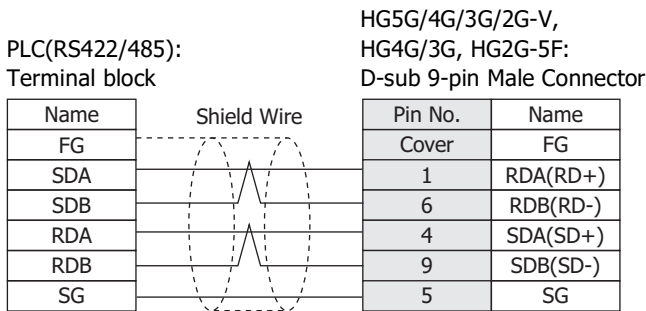
Pin No.	Name
Cover	FG
2	RD
3	SD
7	RS
5	SG
8	CS

\*1 FT1J, HG1J only

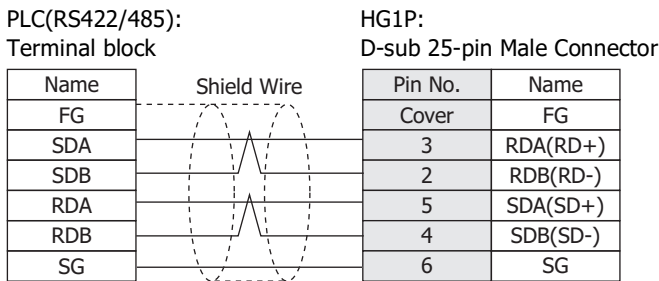
● Connection Diagram 2: Computer Link Unit (RS485)



- When using the QJ71C24 Serial Communication Unit, connect a terminator resistor in accordance with the instruction manual.
- Insert a terminating resistor, if necessary. For the setting method, refer to Chapter 1 "3 Important Points Regarding Wiring" on page 1-4.

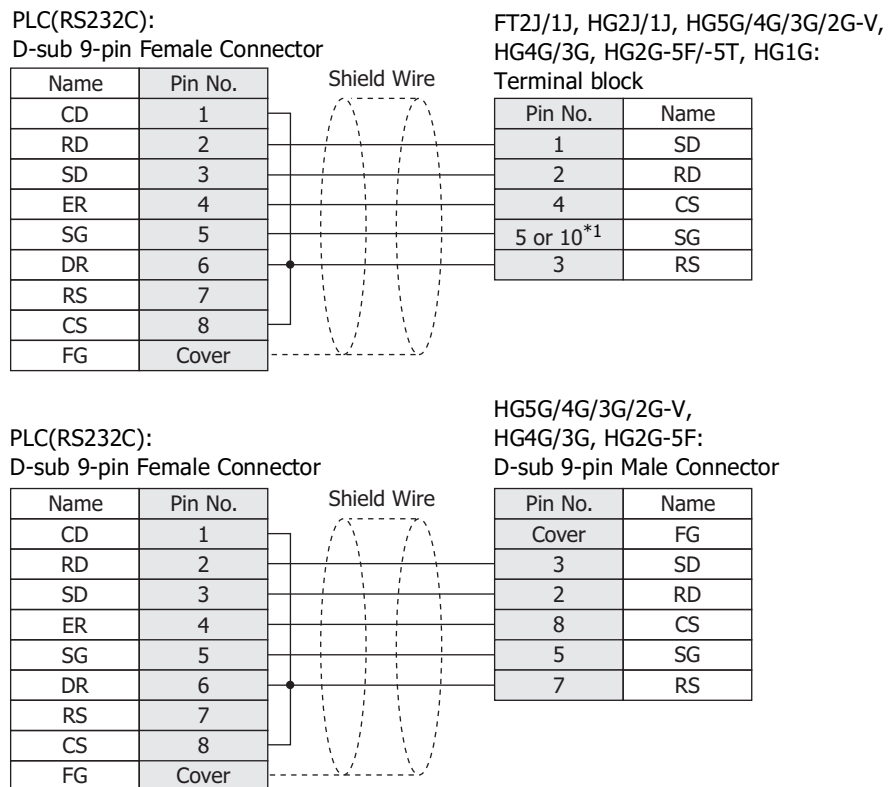


When using the QJ71C24 Serial Communication Unit, connect a terminator resistor in accordance with the instruction manual.



\*1 FT1J, HG1J only

● Connection Diagram 3: Computer Link Unit (RS232C)

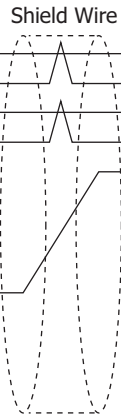


\*1 FT1J, HG1J only

● Connection Diagram 4: 2-port Adapter

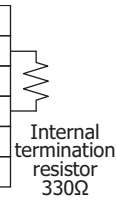
PLC(RS422/485):  
D-sub 25-pin Female Connector

Name	Pin No.
RD+	2
RD-	15
SD+	3
SD-	16
CS+	4
CS-	17
RS+	5
RS-	18
SG	7
SG	8
Vcc	13
	20
	21



FT2J/1J, HG2J/1J, HG5G/4G/3G/2G-V,  
HG4G/3G, HG2G-5F/-5T, HG1G:  
Terminal block

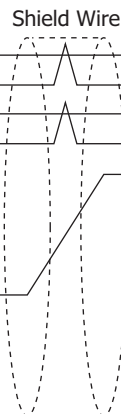
Pin No.	Name
6	SDA(SD+)
7	SDB(SD-)
8	RDA(RD+)
9	RDB(RD-)
5 or 10*1	SG



Insert a terminating resistor, if necessary. For the setting method, refer to Chapter 1 "3 Important Points Regarding Wiring" on page 1-4.

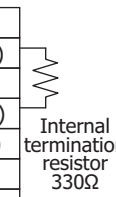
PLC(RS422/485):  
D-sub 25-pin Female Connector

Name	Pin No.
RD+	2
RD-	15
SD+	3
SD-	16
CS+	4
CS-	17
RS+	5
RS-	18
SG	7
SG	8
Vcc	13
	20
	21



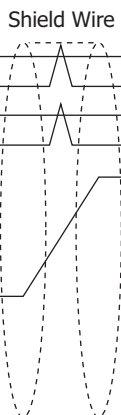
HG5G/4G/3G/2G-V,  
HG4G/3G, HG2G-5F:  
D-sub 9-pin Male Connector

Pin No.	Name
4	SDA(SD+)
9	SDB(SD-)
1	RDA(RD+)
6	RDB(RD-)
5	SG
Cover	FG



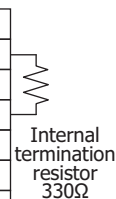
PLC(RS422/485):  
D-sub 25-pin Female Connector

Name	Pin No.
RD+	2
RD-	15
SD+	3
SD-	16
CS+	4
CS-	17
RS+	5
RS-	18
SG	7
SG	8
Vcc	13
	20
	21



HG1P:  
D-sub 25-pin Male Connector

Pin No.	Name
5	SDA(SD+)
4	SDB(SD-)
3	RDA(RD+)
2	RDB(RD-)
6	SG
Cover	FG

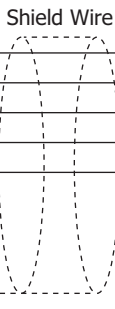


\*1 FT1J, HG1J only

● Connection Diagram 5: FX2N-232-BD

PLC(RS232C):  
D-sub 9-pin Male Connector

Name	Pin No.
CD	1
RD	2
SD	3
ER	4
SG	5
DR	6
RS	7
CS	8
FG	Cover

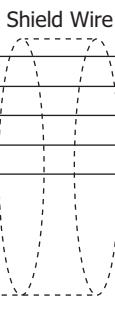


FT2J/1J, HG2J/1J, HG5G/4G/3G/2G-V,  
HG4G/3G, HG2G-5F/-5T, HG1G:  
Terminal block

Pin No.	Name
3	RS
1	SD
2	RD
4	CS
5 or 10*1	SG

PLC(RS232C):  
D-sub 9-pin Male Connector

Name	Pin No.
CD	1
RD	2
SD	3
ER	4
SG	5
DR	6
RS	7
CS	8
FG	Cover



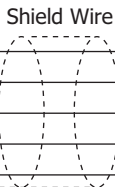
HG5G/4G/3G/2G-V,  
HG4G/3G, HG2G-5F:  
D-sub 9-pin Male Connector

Pin No.	Name
7	RS
3	SD
2	RD
8	CS
5	SG
Cover	FG

● Connection Diagram 6: MELSEC-Q (Mitsubishi Electric Cable QC30R2)

PLC(RS232C):  
D-sub 9-pin Female Connector  
(cable side)

Name	Pin No.
RXD	2
TXD	3
DTR	4
GND	5
DSR	6

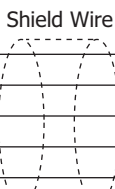


FT2J/1J, HG2J/1J, HG5G/4G/3G/2G-V,  
HG4G/3G, HG2G-5F/-5T, HG1G:  
Terminal block

Pin No.	Name
2	RD
1	SD
3	RS
5 or 10*1	SG
4	CS

PLC(RS232C):  
D-sub 9-pin Female Connector  
(cable side)

Name	Pin No.
RXD	2
TXD	3
DTR	4
GND	5
DSR	6



HG5G/4G/3G/2G-V,  
HG4G/3G, HG2G-5F:  
D-sub 9-pin Male Connector

Pin No.	Name
2	RD
3	SD
7	RS
5	SG
8	CS
Cover	FG

\*1 FT1J, HG1J only

● Connection Diagram 7: MELSEC-Q (CPU Module Programming Port)

PLC(RS232C):  
Mini DIN 6-pin Connector

Name	Pin No.
RXD(RD)	1
TXD(SD)	2
SG	3
	4
DSR(DR)	5
DTR(ER)	6

FT2J/1J, HG2J/1J, HG5G/4G/3G/2G-V,  
HG4G/3G, HG2G-5F/-5T, HG1G:  
Terminal block

Pin No.	Name
1	SD
2	RD
5 or 10*1	SG
3	RS
4	CS

PLC(RS232C):  
Mini DIN 6-pin Connector

Name	Pin No.
RXD(RD)	1
TXD(SD)	2
SG	3
	4
DSR(DR)	5
DTR(ER)	6

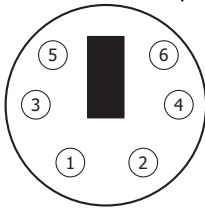
HG5G/4G/3G/2G-V,  
HG4G/3G, HG2G-5F:  
D-sub 9-pin Male Connector

Pin No.	Name
3	SD
2	RD
5	SG
7	RS
8	CS
Cover	FG



In case of the HG5G/4G/3G/2G-V, HG4G/3G, HG2G-5F a connection cable (Type Number: HG9Z-XC315) is available. Refer to Chapter 7 "1.4 PLC communication cable (Type Number: HG9Z-XC315)" on page 7-3 about the connection diagram of the HG9Z-XC315.

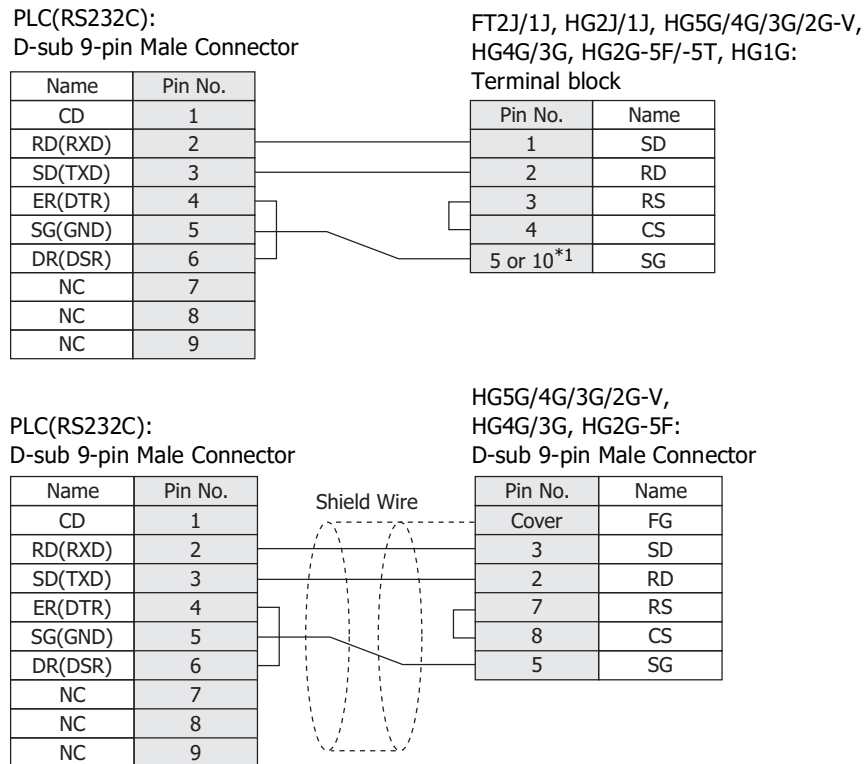
Pin Assignment of Mini DIN 6-pin Connector on the side of the MELSEC-Q series



\*1 FT1J, HG1J only



● Connection Diagram 8: FX2NC-232ADP, FX3U-232ADP, FX3U-232-BD, FX5-232ADP, FX5-232-BD

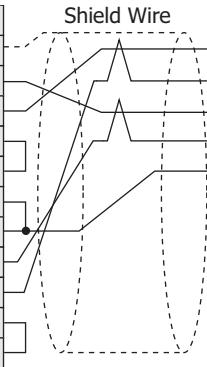


\*1 FT1J, HG1J only

● Connection Diagram 9: Computer Link Unit (RS485)

PLC(RS422/485):  
D-sub 25-pin Female Connector

Name	Pin No.
FG	1
RDA	2
SDA	3
DSRA	4
DTRA	5
SG	7
SG	8
RDB	15
SDB	16
DSRB	17
DTRB	18



FT2J/1J, HG2J/1J, HG5G/4G/3G/2G-V,  
HG4G/3G, HG2G-5F/-5T, HG1G:  
Terminal block

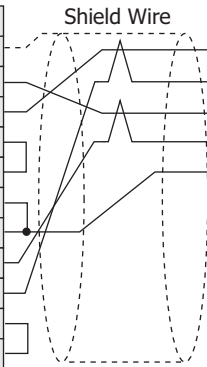
Pin No.	Name
8	RDA(RD+)
9	RDB(RD-)
6	SDA(SD+)
7	SDB(SD-)
5 or 10*1	SG



Insert a terminating resistor, if necessary. For the setting method, refer to Chapter 1 "3 Important Points Regarding Wiring" on page 1-4.

PLC(RS422/485):  
D-sub 25-pin Female Connector

Name	Pin No.
FG	1
RDA	2
SDA	3
DSRA	4
DTRA	5
SG	7
SG	8
RDB	15
SDB	16
DSRB	17
DTRB	18

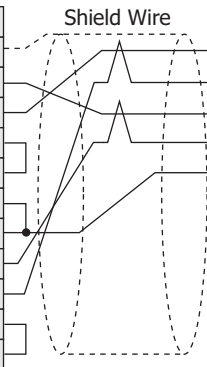


HG5G/4G/3G/2G-V,  
HG4G/3G, HG2G-5F:  
D-sub 9-pin Male Connector

Pin No.	Name
1	RDA(RD+)
6	RDB(RD-)
4	SDA(SD+)
9	SDB(SD-)
5	SG
Cover	FG

PLC(RS422/485):  
D-sub 25-pin Female Connector

Name	Pin No.
FG	1
RDA	2
SDA	3
DSRA	4
DTRA	5
SG	7
SG	8
RDB	15
SDB	16
DSRB	17
DTRB	18



HG1P:  
D-sub 25-pin Male Connector

Pin No.	Name
3	RDA(RD+)
2	RDB(RD-)
5	SDA(SD+)
4	SDB(SD-)
6	SG
Cover	FG

\*1 FT1J, HG1J only

## ● Connection Diagram 10: MELSEC-FX Series CPU (RS485)

PLC(RS422/485):  
Mini DIN 8-pin Connector

Name	Pin No.
SDA	7
SDB	4
RDA	2
RDB	1
SG	3
SG	6
Shield	Cover

FT2J/1J, HG2J/1J, HG5G/4G/3G/2G-V,  
HG4G/3G, HG2G-5F/-5T, HG1G:  
Terminal block

Pin No.	Name
8	RDA(RD+)
9	RDB(RD-)
6	SDA(SD+)
7	SDB(SD-)
5 or 10*1	SG



- In case of the FT2J/1J, HG2J/1J, HG5G/4G/3G/2G-V, HG4G/3G, HG2G-5F/-5T, HG1G, a communication cable (Type Number: FC2A-KP1C, HG9Z-XC275) is available. Refer to Chapter 7 "1.1 User Communication, Printer or PLC communication cable (Type Number: FC2A-KP1C, HG9Z-XC275)" on page 7-1 about the connection diagram of these cables.  
Please do not use these cables with FX3U and FX3UC-32MT-LT of the MELSEC-FX Series described in this manual because the Mini DIN Connector interferes with the housing of the PLC.
- Insert a terminating resistor, if necessary. For the setting method, refer to Chapter 1 "3 Important Points Regarding Wiring" on page 1-4.

PLC(RS422/485):  
Mini DIN 8-pin Connector

Name	Pin No.
SDA	7
SDB	4
RDA	2
RDB	1
SG	3
SG	6
Shield	Cover

Shield Wire

HG5G/4G/3G/2G-V,  
HG4G/3G, HG2G-5F:  
D-sub 9-pin Male Connector

Pin No.	Name
1	RDA(RD+)
6	RDB(RD-)
4	SDA(SD+)
9	SDB(SD-)
5	SG
Cover	FG



- In case of the HG5G/4G/3G/2G-V, HG4G/3G, HG2G-5F a communication cable (Type Number: HG9Z-XC305) is available.  
Refer to Chapter 7 "1.3 PLC communication cable (Type Number: HG9Z-XC305)" on page 7-3 about the connection diagram of the HG9Z-XC305.

PLC(RS422/485):  
Mini DIN 8-pin Connector

Name	Pin No.
SDA	7
SDB	4
RDA	2
RDB	1
SG	3
SG	6
Shield	Cover

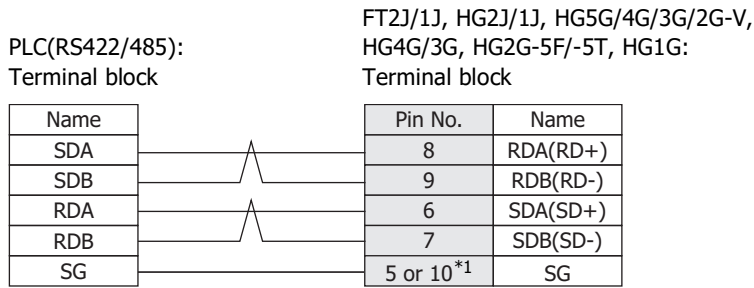
Shield Wire

HG1P:  
D-sub 25-pin Male Connector

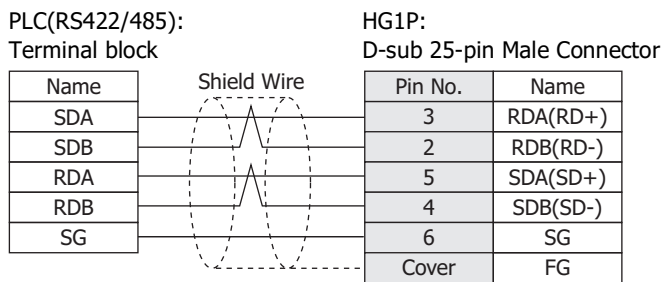
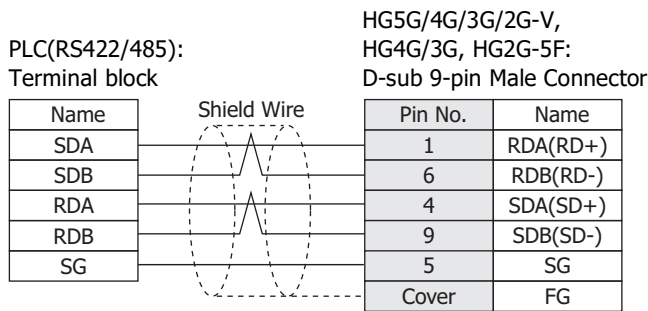
Pin No.	Name
3	RDA(RD+)
2	RDB(RD-)
5	SDA(SD+)
4	SDB(SD-)
6	SG
Cover	FG

\*1 FT1J, HG1J only

● Connection Diagram 11: FX1N-485-BD, FX2N-485-BD, FX2NC-485ADP, FX3G-485-BD, FX3U-485ADP, FX3U-485-BD, FX5-485ADP, FX5-485-BD (4-wire)

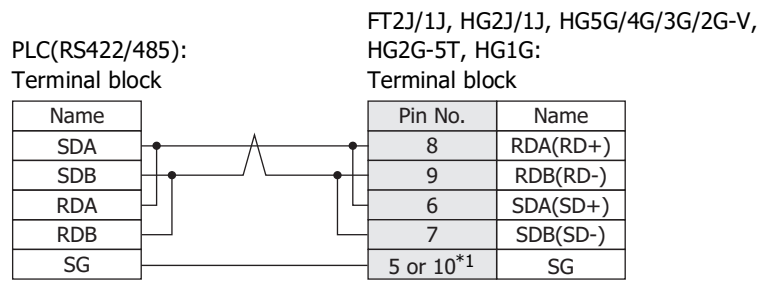


Insert a terminating resistor, if necessary. For the setting method, refer to Chapter 1 "3 Important Points Regarding Wiring" on page 1-4.

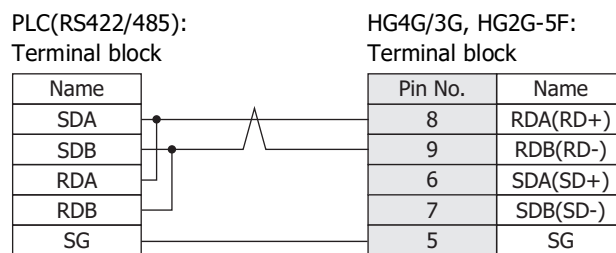


\*1 FT1J, HG1J only

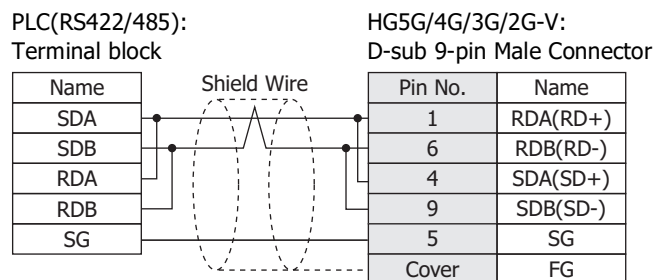
● Connection Diagram 12: FX1N-485-BD, FX2N-485-BD, FX2NC-485ADP, FX3G-485-BD, FX3U-485ADP, FX3U-485-BD, FX5-485ADP, FX5-485-BD (2-wire)



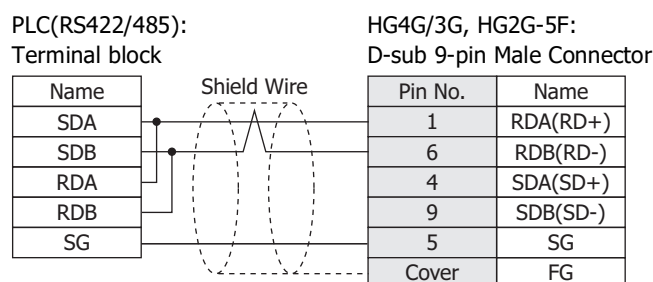
Insert a terminating resistor, if necessary. For the setting method, refer to Chapter 1 "3 Important Points Regarding Wiring" on page 1-4.



Insert a terminating resistor, if necessary. For the setting method, refer to Chapter 1 "3 Important Points Regarding Wiring" on page 1-4.

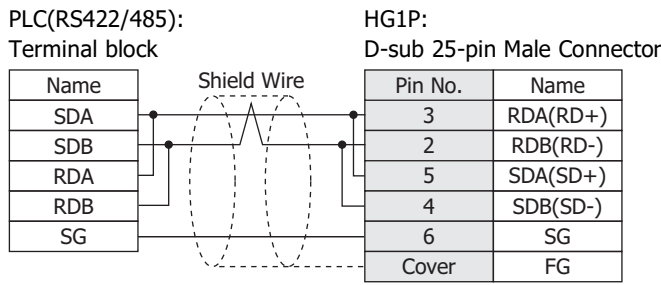


When connecting COM1 on the HG5G/4G/3G/2G-V to the external device, do not insert terminating resistor to the external device.

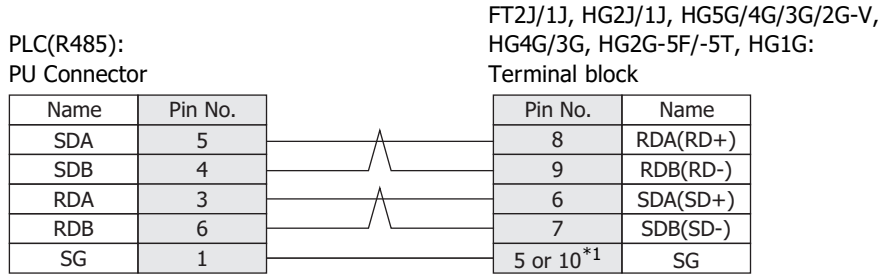


When connecting COM1 on the HG4G/3G, HG2G-5F to the external device, do not insert terminating resistor to the external device.

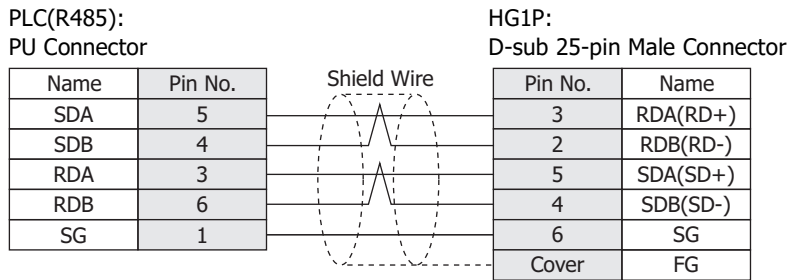
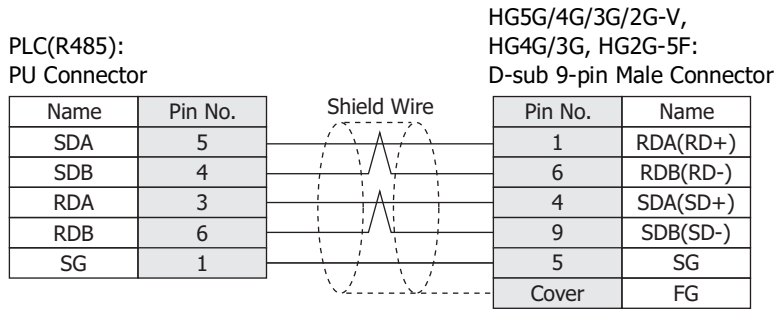
\*1 FT1J, HG1J only



● Connection diagram 13: Inverter PU connector



Insert a terminating resistor, if necessary. For the setting method, refer to Chapter 1 "3 Important Points Regarding Wiring" on page 1-4.



\*1 FT1J, HG1J only

## 2.5 Environment Settings

### ● MELSEC-A Series: Connecting to the Computer Link Unit or CPU Module Link Interface

Item		Setting	
Interface		RS232C	RS485
Transmission Control Protocol		Format 4 protocol mode	
		Set the mode setting switch to 4.	Set the mode setting switch to 8.
Station Number*1	Use the same settings as for the main unit.	Set using the Station Number setting switch.	
Baud Rate		19200, 9600, 4800, 2400 or 1200 bps (set using the Transmission Specifications setting switch)	
Data Bits		7 or 8 (set using the Transmission Specifications setting switch)	
Stop Bits		1 or 2 (set using the Transmission Specifications setting switch)	
Parity		None, Odd or Even (set using the Transmission Specifications setting switch)	
Checksum		Yes (set using the Transmission Specifications setting switch)	
Write During RUN		Possible (set using the Transmission Specifications setting switch)	
Transmission Side Termination Resistor		No	Yes (set using the Transmission Specifications setting switch)
Receive Side Termination Resistor		No	Yes (set using the Transmission Specifications setting switch)
Computer Link/Multi Drop Selection		Computer Link (set using the Transmission Specifications setting switch)*2	



For details, refer to the Link unit manual.

### ● MELSEC-Q/QnA Series: Connecting to the Computer Link Unit

Item		Setting	
Interface		RS232C or RS422	
Communication protocol		MC Protocol (Format 4)	
Station Number*3	Use the same settings as for the main unit.	0	
Baud Rate		115200, 57600, 38400, 19200, 9600, 4800, 2400 or 1200 bps	
Data Bits		7 or 8	
Stop Bits		1 or 2	
Parity		None, Odd or Even	
Checksum Code		Yes	
Write During RUN		Possible	



For details, refer to the Q-compatible Serial Communication Unit user manual (Basic).

\*1 Set a decimal number for the Station Number on the main unit.

\*2 Only set if this item is present.

\*3 Set a decimal number for the Station Number on the main unit. Setup the PLC settings in **I/O allocation** of the GX Developer.

● MELSEC-Q00CPU/-Q00UCPU/-Q00UJCPU/-Q01CPU/-Q01UCPU/-Q02UCPU: Connecting to the Programming Port

Select **Use Serial Communication** in the parameter setting of MELSEC-Q.

Item		Setting
Station Number *1	Use the same settings as for the main unit.	0
Baud Rate		115200, 57600, 38400 or 19200 bps
Data Bits		8
Stop Bits		1
Parity		Odd
Checksum Code		Yes

● MELSEC-Q02CPU/-Q02HCPU: Connecting to the Programming Port

Item	Setting
Baud Rate	115200, 57600, 38400, 19200 or 9600 bps
Data Bits	8
Stop Bits	1
Parity	Odd

● MELSEC-FX Series: Using Communication Driver MELSEC-FX(CPU), MELSEC-FX2N(CPU), MELSEC-FX3UC(CPU)

Item		Setting
Interface		RS232C or RS422
Baud Rate *2	Use the same settings as for the main unit.	115200, 57600, 38400, 19200 or 9600 bps
Data Bits		7
Stop Bits		1
Parity		Even



- When connecting CPU module for the connection, the PLC program scan time will increase when it starts communicating with the main unit. Check it under your actual operating conditions.
- To connect MELSEC-FX series PLC and the main unit, check the following two things.
  - Unchecked the communication setting by the programming software.
  - D8120 must be 0.  
If the PLC is MELSEC-FX3U or MELSEC-3UC, check the follows:  
If the main unit connects to CH1 on the PLC, D8400 must be 0.  
If the main unit connects to CH2 on the PLC, D8420 must be 0.

\*1 Set a decimal number for the Station Number on the main unit.

\*2 The communication speed settings varies based on the PLC model. For details, refer to the PLC manual.



● MELSEC-FX Series: Using Communication Driver MELSEC-FX(LINK)

Item		Setting
Interface		RS232C or RS422
Baud Rate *1	Use the same settings as for the main unit.	38400, 19200, 9600, 4800, 2400 or 1200 bps
Data Bits		7 or 8
Stop Bits		1 or 2
Parity		None, Odd or Even
Protocol		Special protocol communication
Sum check		Enable
Transmission Control Protocol		With Type 4 (CR, LF)
Station No. *2		00 to 0F



In the case of FX1S, FX1N, and FX1NC, there must be an interval time of two scan times or more otherwise the command cannot be received after sending data for a command from an external device. Confirm the scan time of PLC and set the transmission wait for the main unit.  
Example: If the PLC scan time is 10 msec, set the transmission wait for the main unit to 20 msec or more.

● MELSEC iQ-F Series: Using Communication Driver MELSEC-FX5U(LINK)

Item		Setting
Interface		RS232C or RS422/RS485
Baud Rate	Use the same settings as for the main unit.	115200, 57600, 38400, 19200, 9600, 4800, 2400 or 1200 bps
Data Bits		7 or 8
Stop Bits		1 or 2
Parity		None, Odd or Even
Protocol Type		MC Protocol
Sum Check		Added
Station Number Settings		0 to 15
Message System		Pattern 4 (X, Y OCT)

● MELSEC-Q/QnA Series: Using Communication Driver MELSEC-Q/QnA(Ethernet)

The main unit settings

Set the following items on the Project Settings dialog box in WindO/I-NV4.

Tab Name	Setting Name	Setting
Communication Interface	IP Address	Set the IP address of the main unit.
	Subnet mask	Set the subnet mask of the main unit.
	Default Gateway	Set the default gateway of the main unit.
Communication Driver Network	IP Address	Set the IP address of PLC.
	Port Number	Set the port number of PLC to communicate with the main unit.



This communication driver does not support MELSECNET/H and MELSECNET/10 network.

\*1 The communication speed settings varies based on the PLC model. For details, refer to the FX Series User's Manual (Communication Control Edition).

\*2 Set a decimal number for the Station Number on the main unit.

PLC Settings (Connects to Ethernet port on CPU Module)

Set the same settings as the main unit to IP Address and Local station Port No.

Item		Setting	
Built-in Ethernet Port Setting	Communication data code	Binary code	
	IP Address *1	Input format	Decimal
		IP address	Set IP address of PLC
	Enable Write at RUN time		Check mark (enable) *2
Open Setting	Protocol	TCP/IP	
	Open system	MC Protocol	
	Local station Port No. *1*3	Set an arbitrary port number	

PLC Settings (Connects to the Ethernet Unit)

Set the same settings as the main unit to IP Address and Local station Port No.

Item		Setting	
Network parameter	Network type	Ethernet	
	Starting I/O No. *1	0020	
	Network No. *1	1	
	Total stations	-	
	Group No. *1	0	
	Station No. *1	1	
	Mode	On line *2	
Operation Setting	Communication data code	Binary code	
	Initial Timing	Always wait for OPEN	
	IP Address *1	Input format	Decimal
		IP address	Set IP address of PLC
	Send frame setting	Ethernet	
	Enable Write at RUN time	Check mark (enable) *2	
TCP Existence confirmation setting	Use the Keep Alive *2		
Open Setting	Protocol	TCP/IP	
	Open system	Impassive open	
	Fixed buffer	Send *2	
	Fixed buffer communication	Procedure exist *2	
	Pairing open	No pairs *2	
	Existence confirmation	No confirm *2	
	Local station Port No. *1*3	Set an arbitrary port number	
	Destination IP address	-	
Dest. Port No.	-		



For details, refer to the Q Corresponding Ethernet Interface Module User's Manual or Q Corresponding Ethernet Interface Module User's Manual.

\*1 Set it according to the environment.

\*2 This setting is recommended.

\*3 The main unit is set by the decimal number though PLC is set by the hexadecimal number.

## ● MELSEC-FX: Connecting to Ethernet Unit

### The main unit settings

Set the following items on the Project Settings dialog box in WindO/I-NV4.

Tab Name	Setting Name	Setting
Communication Interface	IP Address	Set the IP address of the main unit.
	Subnet Mask	Set the subnet mask of the main unit.
	Default Gateway	Set the default gateway of the main unit.
Communication Driver Network	IP Address	Set the IP address of CPU module or Link unit.
	Port Number	Set the port number of CPU module or Link unit.

### PLC Settings

#### **Ethernet Operation Setting**

Item	Setting
Received data code setting	Binary code
Initial Timing	Always wait for OPEN (Communication possible during STOP)
IP Address	Set IP address of PLC
Send frame setting	Ethernet (V2.0)
TCP Existence confirmation setting	Use the Keep Alive

#### **Open Setting**

Item	Setting
Connection	Use 3 or 4
Protocol	TCP/IP
Open system	Impassive open (MC)
Existence confirmation	No confirm
Local station Port No. (Decimal)	Set an arbitrary port number 1025 to 5548 or 5552 to 65534 (Default: 1025)

## ● MELSEC iQ-F Series: Using Communication Driver MELSEC-FX5U (Ethernet)

### The main unit settings

Set the following items on the Project Settings dialog box in WindO/I-NV4.

Tab Name	Setting Name	Setting
Communication Interface	IP Address	Set the IP address of the main unit.
	Subnet mask	Set the subnet mask of the main unit.
	Default Gateway	Set the default gateway of the main unit.
Communication Driver Network	IP Address	Set the IP address of PLC.
	Port Number	Set the port number of PLC to communicate with the main unit.

### PLC Settings

Configure the following items on the **Own Node Settings** in the **Ethernet Port**.

Item	Setting
IP Address	Set the IP address of PLC.
Subnet Mask	Set the subnet mask of PLC.
Default Gateway	Set the default gateway of PLC.
Communication Data Code	Binary

Configure the following items on the SLMP Connection Module. The procedure for configuring the SLMP Connection Module is shown below.

- 1 Click the **Detailed Setting** of the **External Device Configuration**. The **Ethernet Configuration** window opens.
- 2 Select the **SLMP Connection Module** in the **Ethernet Device (General)** on the **Module List** window, and then drag it onto the settings.

Item	Setting
Protocol	TCP
Port Number	Set the arbitrary port number. 1025 to 4999, 5010 to 65534

## ● Connecting to Inverter

Items	Details
Interface	RS485 4-wire
Inverter No.	01 to 31
Baud Rate	19200, 9600 or 4800 bps
Data Bits	7 or 8
Stop Bits	1 or 2
Parity	None, Odd or Even
Ignore Write Error*1	Enable or Disable
Terminator	CR only
Communication check time interval	Set to a value other than "0".



When the main unit receives a NAK error from the inverter, the error code is stored in HMI Special Data Registers LSD112.

\*1 When you select the **Ignore Write Error** and the main unit sets a value to the device address of the inverter, the main unit does not display **Communication Error** even if the inverter replies NAK Error response.

## 2.6 Usable Device Addresses

### ● MELSEC-AnA (LINK)

#### Bit Device

Device Name	Device Type		Address Number Range	Read /Write	Address Numeral System
	Main unit	PLC			
Input Relay	X	X	0 to 1FFF* <sup>1</sup>	R/W	
Output Relay	Y	Y	0 to 1FFF* <sup>1</sup>	R/W	
Internal Relay	M	M	0 to 8191	R/W	
Link Relay	B	B	0 to 1FFF* <sup>1</sup>	R/W	
Latch Relay	L	L	0 to 8191	R/W	
Timer (Contact)	TS	T	0 to 2047	R	
Timer (Coil)	TC	T	0 to 2047	R/W	
Counter (Contact)	CS	C	0 to 1023	R	
Counter (Coil)	CC	C	0 to 1023	R/W	
Special Internal Relay	SM	SM	9000 to 9255	R	
Annunciator	F	F	0 to 2047	R/W	

#### Word Device

Device Name	Device Type		Address Number Range	Read /Write	Address Numeral System
	Main unit	PLC			
Input Relay	WX	X	0 to 1FF0* <sup>1</sup> * <sup>2</sup>	R/W	
Output Relay	WY	Y	0 to 1FF0* <sup>1</sup> * <sup>2</sup>	R/W	
Internal Relay	WM	M	0 to 8176* <sup>2</sup>	R/W	
Link Relay	WB	B	0 to 1FF0* <sup>1</sup> * <sup>2</sup>	R/W	
Latch Relay	WL	L	0 to 8176* <sup>2</sup>	R/W	
Timer (Current Value)	TN	T	0 to 2047	R	
Counter (Current Value)	CN	C	0 to 1023	R	
Data Register	D	D	0 to 8191	R/W	
Link Register	W	W	0 to 1FFF* <sup>1</sup>	R/W	
Annunciator	WF	F	0 to 2032* <sup>2</sup>	R/W	
Special Internal Relay	WSM	SM	9000 to 9240* <sup>2</sup>	R	
Special register	SD	SD	9000 to 9255	R	
File register	R	R	0 to 8191	R/W	
Expansion file register	ER	ZR	0 to 58191	R/W	

\*1 Set this address number in hexadecimal.

\*2 Set this address number in multiples of 16.

## ● MELSEC-AnN (LINK)

**Bit Device**

Device Name	Device Type		Address Number Range	Read /Write	Address Numeral System
	Main unit	PLC			
Input Relay	X	X	0 to 7FF <sup>*1</sup>	R/W	
Output Relay	Y	Y	0 to 7FF <sup>*1</sup>	R/W	
Internal Relay	M	M	0 to 2047	R/W	
Link Relay	B	B	0 to 3FF <sup>*1</sup>	R/W	
Latch Relay	L	L	0 to 2047	R/W	
Timer (Contact)	TS	T	0 to 255	R	
Timer (Coil)	TC	T	0 to 255	R/W	
Counter (Contact)	CS	C	0 to 255	R	
Counter (Coil)	CC	C	0 to 255	R/W	
Special Internal Relay	SM	SM	9000 to 9255	R	
Annunciator	F	F	0 to 255	R/W	

**Word Device**

Device Name	Device Type		Address Number Range	Read /Write	Address Numeral System
	Main unit	PLC			
Input Relay	WX	X	0 to 7F0 <sup>*1*2</sup>	R/W	
Output Relay	WY	Y	0 to 7F0 <sup>*1*2</sup>	R/W	
Internal Relay	WM	M	0 to 2032 <sup>*2</sup>	R/W	
Link Relay	WB	B	0 to 3F0 <sup>*1*2</sup>	R/W	
Latch Relay	WL	L	0 to 2032 <sup>*2</sup>	R/W	
Timer (Current Value)	TN	T	0 to 255	R	
Counter (Current Value)	CN	C	0 to 255	R	
Data Register	D	D	0 to 1023	R/W	
Link Register	W	W	0 to 3FF <sup>*1</sup>	R/W	
Annunciator	WF	F	0 to 240 <sup>*2</sup>	R/W	
Special Internal Relay	WSM	SM	9000 to 9240 <sup>*2</sup>	R	
Special register	SD	SD	9000 to 9255	R	
File register	R	R	0 to 8191	R/W	

\*1 Set this address number in hexadecimal.

\*2 Set this address number in multiples of 16.

## ● MELSEC-Q/QnA (LINK)

**Bit Device**

Device Name	Device Type		Address Number Range	Read /Write	Address Numeral System
	Main unit	PLC			
Internal Relay	M	M	0 to 32767	R/W	
Input Relay	X	X	0 to 2FFF* <sup>1</sup>	R/W	
Output Relay	Y	Y	0 to 2FFF* <sup>1</sup>	R/W	
Link Special Relay	SB	SB	0 to 7FF* <sup>1</sup>	R/W	
Link Relay	B	B	0 to 7FFF* <sup>1</sup>	R/W	
Latch Relay	L	L	0 to 32767	R/W	
Timer (Contact)	TS	T	0 to 8191	R	
Timer (Coil)	TC	T	0 to 8191	R/W	
Counter (Contact)	CS	C	0 to 8191	R	
Counter (Coil)	CC	C	0 to 8191	R/W	
Special Relay	SM	SM	0 to 2047	R	
Annunciator	F	F	0 to 32767	R/W	
Retentive Timer (Contact)	SS	ST	0 to 2047	R	
Retentive Timer (Coil)	SC	ST	0 to 2047	R/W	
Step Relay	S	S	0 to 32767	R/W	
Edge Relay	V	V	0 to 32767	R/W	

**Word Device**

Device Name	Device Type		Address Number Range	Read /Write	Address Numeral System
	Main unit	PLC			
Input Relay	WX	X	0 to 2FF0* <sup>1*2</sup>	R/W	
Output Relay	WY	Y	0 to 2FF0* <sup>1*2</sup>	R/W	
Internal Relay	WM	M	0 to 32752* <sup>2</sup>	R/W	
Link Special Relay	WSB	SB	0 to 7F0* <sup>1*2</sup>	R/W	
Link Relay	WB	B	0 to 7FF0* <sup>1*2</sup>	R/W	
Latch Relay	WL	L	0 to 32752* <sup>2</sup>	R/W	
Timer (Current Value)	TN	T	0 to 8191	R	
Counter (Current Value)	CN	C	0 to 8191	R	
Data Register	D	D	0 to 999999	R/W	
Link Register	W	W	0 to 24FF* <sup>1</sup>	R/W	
File register	R	R	0 to 32767	R/W	
Annunciator	WF	F	0 to 32752* <sup>2</sup>	R/W	
Special Relay	WSM	SM	0 to 2032* <sup>2</sup>	R	
Special register	SD	SD	0 to 2047	R	
Edge Relay	WV	V	0 to 32752* <sup>2</sup>	R/W	
Step Relay	WS	S	0 to 32752* <sup>2</sup>	R/W	
Retentive Timer (Current Value)	SN	ST	0 to 2047	R/W	
Special Link Register	SW	SW	0 to 7FF* <sup>1</sup>	R/W	
Ext File Register	ZR	ZR	0 to FFFF* <sup>1</sup>	R/W	

\*1 Set this address number in hexadecimal.

\*2 Set this address number in multiples of 16.

## ● MELSEC-Q (CPU)

**Bit Device**

Device Name	Device Type		Address Number Range	Read /Write	Address Numeral System
	Main unit	PLC			
Internal Relay	M	M	0 to 32767	R/W	
Input Relay	X	X	0 to 1FFF* <sup>1</sup>	R/W	
Output Relay	Y	Y	0 to 1FFF* <sup>1</sup>	R/W	
Link Special Relay	SB	SB	0 to 7FF* <sup>1</sup>	R/W	
Link Relay	B	B	0 to 1FFF* <sup>1</sup>	R/W	
Latch Relay	L	L	0 to 32767	R/W	
Annunciator	F	F	0 to 32767	R/W	
Step Relay	S	S	0 to 8191	R/W	
Edge Relay	V	V	0 to 32767	R/W	
Timer (Contact)	TS	T	0 to 23087	R	
Timer (Coil)	TC	T	0 to 23087	R/W	
Counter (Contact)	CS	C	0 to 23087	R	
Counter (Coil)	CC	C	0 to 23087	R/W	
Retentive Timer (Contact)	SS	ST	0 to 23087	R	
Retentive Timer (Coil)	SC	ST	0 to 23087	R/W	
Special Relay	SM	SM	0 to 2047	R	

**Word Device**

Device Name	Device Type		Address Number Range	Read /Write	Address Numeral System
	Main unit	PLC			
Input Relay	WX	X	0 to 1FF0* <sup>1*2</sup>	R/W	
Output Relay	WY	Y	0 to 1FF0* <sup>1*2</sup>	R/W	
Internal Relay	WM	M	0 to 32752* <sup>2</sup>	R/W	
Link Relay	WB	B	0 to 7FF0* <sup>1*2</sup>	R/W	
Latch Relay	WL	L	0 to 32752* <sup>2</sup>	R/W	
Annunciator	WF	F	0 to 32752* <sup>2</sup>	R/W	
Edge Relay	WV	V	0 to 32752* <sup>2</sup>	R/W	
Step Relay	WS	S	0 to 8176* <sup>2</sup>	R/W	
Timer (Current Value)	TN	T	0 to 23087	R	
Counter (Current Value)	CN	C	0 to 23087	R	
Retentive Timer (Current Value)	SN	ST	0 to 23087	R/W	
Data Register	D	D	0 to 25983	R/W	
Link Register	W	W	0 to 657F	R/W	
Special Relay	WSM	SM	0 to 2032* <sup>2</sup>	R	
Link Special Relay	WSB	SB	0 to 7F0* <sup>1*2</sup>	R/W	
Special Register	SD	SD	0 to 2047	R	
Special link Register	SW	SW	0 to 7FF	R/W	
File Register	R	R	0 to 32767	R/W	
Extend file Register	ZR	ZR	0 to 131072	R/W	

\*1 Set this address number in hexadecimal.

\*2 Set this address number in multiples of 16.



## ● MELSEC-FX (CPU)

**Bit Device**

Device Name	Device Type		Address Number Range	Read /Write	Address Numeral System
	Main unit	PLC			
Input Relay	X	X	0 to 337 <sup>*1</sup>	R/W	
Output Relay	Y	Y	0 to 337 <sup>*1</sup>	R/W	
Internal Relay	M	M	0 to 1535	R/W	
Timer (Contact)	TS	T	0 to 255	R	
Counter (Contact)	CS	C	0 to 255	R	
State	S	S	0 to 999	R/W	

**Word Device**

Device Name	Device Type		Address Number Range	Read /Write	Address Numeral System
	Main unit	PLC			
Input Relay	WX	X	0 to 320 <sup>*1*2</sup>	R/W	
Output Relay	WY	Y	0 to 320 <sup>*1*2</sup>	R/W	
Internal Relay	WM	M	0 to 1520 <sup>*2</sup>	R/W	
Timer (Current Value)	TN	T	0 to 255	R	
Counter (Current Value)	CN	C	0 to 199	R	
32-Bit Counter (Current Value) <sup>*3</sup>	DCN	C	2000 to 2551	R	
Data Register	D	D	0 to 999	R/W	
State	WS	WS	0 to 976 <sup>*2</sup>	R/W	

\*1 Set this address number in octal.

\*2 Set this address number in multiples of 16.

\*3 This device is a 32-bit device. The first three digits indicate the address number in decimal, and the last digit indicates whether the data is an upper or a lower word of 32-bit data in binary.

● MELSEC-FX2N (CPU)

**Bit Device**

Device Name	Device Type		Address Number Range	Read /Write	Address Numeral System
	Main unit	PLC			
Input Relay	X	X	0 to 337 <sup>*1</sup>	R/W	
Output Relay	Y	Y	0 to 337 <sup>*1</sup>	R/W	
Internal Relay	M	M	0 to 3071	R/W	
Timer (Relay)	TS	T	0 to 255	R	
Counter (Relay)	CS	C	0 to 255	R	
Special Int. Relay	SM	SM	8000 to 8255	R	
State	S	S	0 to 999	R/W	

**Word Device**

Device Name	Device Type		Address Number Range	Read /Write	Address Numeral System
	Main unit	PLC			
Input Relay	WX	X	0 to 360 <sup>*1*2</sup>	R/W	
Output Relay	WY	Y	0 to 360 <sup>*1*2</sup>	R/W	
Internal Relay	WM	M	0 to 3056 <sup>*2</sup>	R/W	
Timer (Current Value)	TN	T	0 to 255	R	
Counter (Current Value)	CN	C	0 to 199	R	
32-Bit Counter (Current Value) <sup>*3</sup>	DCN	C	2000 to 2551	R	
Data Register	D	D	0 to 7999	R/W	
State	WS	S	0 to 976 <sup>*2</sup>	R/W	
Special Int. Relay	WSM	SM	8000 to 8240 <sup>*2</sup>	R	
Special Register	SD	SD	8000 to 8255	R	

\*1 Set this address number in octal.

\*2 Set this address number in multiples of 16.

\*3 This device is a 32-bit device. The first three digits indicate the address number in decimal, and the last digit indicates whether the data is an upper or a lower word of 32-bit data in binary.

## ● MELSEC-FX3UC (CPU)

**Bit Device**

Device Name	Device Type		Address Number Range	Read / Write	Address Numeral System
	Main unit	PLC			
Input Relay	X	X	0 to 377 <sup>*1</sup>	R/W	
Output Relay	Y	Y	0 to 377 <sup>*1</sup>	R/W	
Internal Relay	M	M	0 to 7679	R/W	
Timer (Relay)	TS	T	0 to 511	R	
Counter (Relay)	CS	C	0 to 255	R	
Special Internal Relay	SM	SM	8000 to 8511	R	
State	S	S	0 to 4095	R/W	

**Word Device**

Device Name	Device Type		Address Number Range	Read / Write	Address Numeral System
	Main unit	PLC			
Input Relay	WX	X	0 to 360 <sup>*1*2</sup>	R/W	
Output Relay	WY	Y	0 to 360 <sup>*1*2</sup>	R/W	
Internal Relay	WM	M	0 to 7664 <sup>*2</sup>	R/W	
Timer (Current Value)	TN	T	0 to 511	R	
Counter (Current Value)	CN	C	0 to 199	R	
32-bit counter (Current Value) <sup>*3</sup>	DCN	C	2000 to 2551	R/W	
Data Register	D	D	0 to 7999	R/W	
State	WS	S	0 to 4080 <sup>*2</sup>	R/W	
Special Internal Relay	WSM	SM	8000 to 8496 <sup>*2</sup>	R	
Special Data Register	SD	SD	8000 to 8511	R	
Extended Register	R	R	0 to 32767	R/W	

\*1 Set this address number in octal.

\*2 Set this address number in multiples of 16.

\*3 This device is a 32-bit device. The first three digits indicate the address number in decimal, and the last digit indicates whether the data is an upper or a lower word of 32-bit data in binary.

## ● MELSEC-FX (LINK)

### Bit Device

Device Name	Device Type		Address Number Range	Read /Write	Address Numeral System
	Main unit	PLC			
Int. Relay	M	M	0 to 7679	R/W	Decimal
Input Relay	X	X	0 to 377	R/W	Octal
Output Relay	Y	Y	0 to 377	R/W	Octal
Timer Relay (Contact)	TS	T	0 to 511	R/W	Decimal
Counter Relay (Contact)	CS	C	0 to 255	R/W	Decimal
Special Internal Relay	SM	SM	8000 to 8511	R/W	Decimal
State	S	S	0 to 4095	R/W	Decimal

### Word Device

Device Name	Device Type		Address Number Range	Read /Write	Address Numeral System
	Main unit	PLC			
Data Register	D	D	0 to 7999	R/W	Decimal
Input Relay (Word)	WX	X	0 to 360 <sup>*1</sup>	R/W	Octal
Output Relay (Word)	WY	Y	0 to 360 <sup>*1</sup>	R/W	Octal
Int. Relay (Word)	WM	M	0 to 7664 <sup>*1</sup>	R/W	Decimal
Timer (Current Value)	TN	T	0 to 511	R/W	Decimal
Counter (Current Value)	CN	C	0 to 199	R/W	Decimal
State (Word)	WS	S	0 to 4080 <sup>*1</sup>	R/W	Decimal
Special Internal Relay (Word)	WSM	M	8000 to 8496 <sup>*1</sup>	R/W	Decimal
Special Data Register	SD	D	8000 to 8511	R/W	Decimal
32-bit counter (Current Value) <sup>*2</sup>	DCN	C	2000 to 2511	R/W	
Extended Register	R	R	0 to 32767	R/W	Decimal

\*1 Set this address number in hexadecimal.

\*2 This is a 32-bit device address. The first three digits indicate the address number in decimal, and the last digit indicates whether the data is an upper or a lower word of 32-bit data in binary.

## ● MELSEC-Q/QnA (Ethernet)

**Bit Device**

Device Name	Device Type		Address Number Range	Read /Write	Address Numeral System
	Main unit	PLC			
Special Relay (Bit)	SM	SM	000000 to 002047	R	Decimal
Input Relay (Bit)	X	X	000000 to 002FFF	R/W	Hexadecimal
Output Relay (Bit)	Y	Y	000000 to 002FFF	R/W	Hexadecimal
Internal Relay (Bit)	M	M	000000 to 475135	R/W	Decimal
Latch Relay (Bit)	L	L	000000 to 475135	R/W	Decimal
Annunciator (Bit)	F	F	000000 to 475135	R/W	Decimal
Edge Relay (Bit)	V	V	000000 to 475135	R/W	Decimal
Link Relay (Bit)	B	B	000000 to 073FFF	R/W	Hexadecimal
Timer (Contact)	TS	TS	000000 to 475135	R	Decimal
Timer (Coil)	TC	TC	000000 to 475135	R/W	Decimal
Retentive Timer (Contact)	SS	SS	000000 to 475135	R	Decimal
Retentive Timer (Coil)	SC	SC	000000 to 475135	R/W	Decimal
Counter (Contact)	CS	CS	000000 to 475135	R	Decimal
Counter (Coil)	CC	CC	000000 to 475135	R/W	Decimal
Link Special Relay (Bit)	SB	SB	000000 to 0007FF	R/W	Decimal
Step Relay (Bit)	S	S	000000 to 008191	R/W	Decimal

**Word Device**

Device Name	Device Type		Address Number Range	Read /Write	Address Numeral System
	Main unit	PLC			
Special Register	SD	SD	000000 to 002047	R	Decimal
Data Register	D	D	000000 to 999999	R/W	Decimal
Link Register	W	W	000000 to 0073FF	R/W	Hexadecimal
Timer (Current Value)	TN	TN	000000 to 029695	R	Decimal
Retentive Timer (Current Value)	SN	SN	000000 to 029695	R/W	Decimal
Counter (Current Value)	CN	CN	000000 to 029695	R	Decimal
Special Link Register	SW	SW	000000 to 0007FF	R/W	Hexadecimal
File Register	R	R	000000 to 032767	R/W	Decimal
Extend file Register	ZR	ZR	000000 to 0FE7FF	R/W	Hexadecimal
Special Relay (Word)	WSM	SM	000000 to 002032* <sup>1</sup>	R	Decimal
Input Relay (Word)	WX	X	000000 to 002FF0* <sup>1</sup>	R/W	Hexadecimal
Output Relay (Word)	WY	Y	000000 to 002FF0* <sup>1</sup>	R/W	Hexadecimal
Internal Relay (Word)	WM	M	000000 to 475120* <sup>1</sup>	R/W	Decimal
Latch Relay (Word)	WL	L	000000 to 475120* <sup>1</sup>	R/W	Decimal
Annunciator (Word)	WF	F	000000 to 475120* <sup>1</sup>	R/W	Decimal
Edge Relay (Word)	WV	V	000000 to 475120* <sup>1</sup>	R/W	Decimal
Link Relay (Word)	WB	B	000000 to 073FF0* <sup>1</sup>	R/W	Hexadecimal
Link Special Relay (Word)	WSB	SB	000000 to 0007F0* <sup>1</sup>	R/W	Hexadecimal
Step Relay (Word)	WS	S	000000 to 008176* <sup>1</sup>	R/W	Decimal

\*1 Set this address number in multiples of 16.

## ● MELSEC-FX3U (Ethernet)

**Bit Device**

Device Name	Device Type		Address Number Range	Read /Write	Address Numeral System
	Main unit	PLC			
Int. Relay	M	M	0 to 7679	R/W	Decimal
Input Relay	X	X	0 to 377	R/W	Octal
Output Relay	Y	Y	0 to 377	R/W	Octal
Timer Relay (Contact)	TS	T	0 to 511	R	Decimal
Counter Relay (Contact)	CS	C	0 to 255	R	Decimal
Special Internal Relay	SM	SM	8000 to 8511	R	Decimal
State	S	S	0 to 4095	R/W	Decimal

**Word Device**

Device Name	Device Type		Address Number Range	Read /Write	Address Numeral System
	Main unit	PLC			
Data Register	D	D	0 to 7999	R/W	Decimal
Input Relay (Word)	WX	X	0 to 360	R/W	Octal
Output Relay (Word)	WY	Y	0 to 360	R/W	Octal
Int. Relay (Word)	WM	M	0 to 7664	R/W	Decimal
Timer (Current Value)	TN	T	0 to 511	R	Decimal
Counter (Current Value)	CN	C	0 to 199	R	Decimal
State (Word)	WS	S	0 to 4080	R/W	Decimal
Special Internal Relay (Word)	WSM	M	8000 to 8496	R	Decimal
Special Data Register	SD	D	8000 to 8511	R	Decimal
32-bit counter (Current Value) <sup>*1</sup>	DCN	C	2000 to 2511	R	
Extended Register	R	R	0 to 32767	R/W	Decimal

\*1 This device is a 32-bit device. The first three digits indicate the address number in decimal, and the last digit indicates whether the data is an upper or a lower word of 32-bit data in binary.

● MELSEC-FX5U (LINK), MELSEC-FX5U (Ethernet)

**Bit Device**

Device Name	Device Type		Address Number Range	Read /Write	Address Numeral System
	Main unit	PLC			
Input (Bit)	X	X	0 to 1777	R/W	Octal
Output (Bit)	Y	Y	0 to 1777	R/W	Octal
Internal relay (Bit)	M	M	0 to 32767	R/W	Decimal
Latch relay (Bit)	L	L	0 to 32767	R/W	Decimal
Annunciator (Bit)	F	F	0 to 32767	R/W	Decimal
Link relay (Bit)	B	B	0 to 7FFF	R/W	Hexadecimal
Step relay (Bit)	S	S	0 to 4095	R/W	Decimal
Timer (Contact)	TS	T	0 to 1023	R	Decimal
Timer (Coil)	TC	T	0 to 1023	R/W	Decimal
Retentive timer (Contact)	SS	ST	0 to 1023	R	Decimal
Retentive timer (Coil)	SC	ST	0 to 1023	R/W	Decimal
Counter (Contact)	CS	C	0 to 1023	R	Decimal
Counter (Coil)	CC	C	0 to 1023	R/W	Decimal
Long counter (Contact)	LCS	LC	0 to 1023	R	Decimal
Long counter (Coil)	LCC	LC	0 to 1023	R/W	Decimal
Link special relay (Bit)	SB	SB	0 to 7FFF	R/W	Hexadecimal
Special relay (Bit)	SM	SM	0 to 9999	R	Decimal

**Word Device**

Device Name	Device Type		Address Number Range	Read /Write	Address Numeral System
	Main unit	PLC			
Input (Word)	WX	X	0 to 1760 <sup>*1</sup>	R/W	Octal
Output (Word)	WY	Y	0 to 1760 <sup>*1</sup>	R/W	Octal
Internal relay (Word)	WM	M	0 to 32752 <sup>*1</sup>	R/W	Decimal
Latch relay (Word)	WL	L	0 to 32752 <sup>*1</sup>	R/W	Decimal
Annunciator (Word)	WF	F	0 to 32752 <sup>*1</sup>	R/W	Decimal
Link relay (Word)	WB	B	0 to 7FF0 <sup>*1</sup>	R/W	Hexadecimal
Step relay (Word)	WS	S	0 to 4080 <sup>*1</sup>	R/W	Decimal
Data register	D	D	0 to 7999	R/W	Decimal
Link register	W	W	0 to 7FFF	R/W	Hexadecimal
Timer (Present value)	TN	T	0 to 1023	R	Decimal
Retentive timer (Present value)	SN	ST	0 to 1023	R/W	Decimal
Counter (Present value)	CN	C	0 to 1023	R	Decimal
Long counter (Present value) <sup>*2</sup>	LCN	LC	0 to 10231	R	Decimal
Link special relay (Word)	WSB	SB	0 to 7FF0 <sup>*1</sup>	R/W	Hexadecimal
Link special register	SW	SW	0 to 7FFF	R/W	Hexadecimal
Special relay (Word)	WSM	SM	0 to 9984 <sup>*1</sup>	R	Decimal
Special register	SD	SD	0 to 11999	R	Decimal
Index register	Z	Z	0 to 23	R/W	Decimal
File Register	R	R	0 to 32767	R/W	Decimal

\*1 Set this address number in multiples of 16.

\*2 This device is a 32-bit device. The first four digits indicate the address number in decimal, and the last digit indicates whether the data is an upper or a lower word of 32-bit data in binary.

## ● Inverter

**Word Device**

Device Name	Device Type		Address Number Range	Read /Write	Address Numeral System
	Main unit	PLC			
Parameter	P	P	0 to 999 <sup>*1</sup>	R/W	
Parameter 37	P37	P	0 to 1 <sup>*2*3</sup>	R/W	
Operation mode	OP	OP	0	R/W	
Output frequency	OF	OF	0 <sup>*4</sup>	R	
Output current	OC	OC	0	R	
Output voltage	OV	OV	0	R	
Alarm description (1, 2)	E12	E12	0	R	
Alarm description (3, 4)	E34	E34	0	R	
Alarm description (5, 6)	E56	E56	0	R	
Alarm description (7, 8)	E78	E78	0	R	
Run command	RC	RC	0 <sup>*5</sup>	R/W	
Inverter status monitor	ISM	ISM	0	R	
Set frequency read (RAM)	SFRR	SFRR	0 <sup>*4</sup>	R	
Set frequency read (E2PROM)	SFRE	SFRE	0 <sup>*4</sup>	R	
Set frequency write (RAM)	SFWR	SFWR	0 <sup>*4*5</sup>	R/W	
Set frequency write (E2PROM)	SFWE	SFWE	0 <sup>*4*5</sup>	R/W	
Inverter reset	IR	IR	0 <sup>*5</sup>	R/W	
Alarm definition batch clear	EC	EC	0 <sup>*5</sup>	R/W	
All parameter clear	PACL	PACL	0 <sup>*5</sup>	R/W	
Link parameter expansion setting	LPES	LPES	0	R/W	
Second parameter changing	SPC	SPC	0	R/W	



For details regarding parameters and write data, refer to the instruction manual provided with the Mitsubishi Electric inverter.

\*1 Change the value of the Link parameter expansion setting if you need to read or write the Link parameter.

\*2 Use this device address for parameter 37.

\*3 This device address is handled as a 32-bit device by combining addresses 0 and 1.

\*4 This device address is only available for 4 digits data.

\*5 Only the write data is available for this device address. When used for display, the displayed value of this device address is always "0".



## 3 OMRON

### 3.1 Connection Table

CPU Unit	Link Unit	WindO/I-NV4 Settings			
		Interface	Flow Control	Communication Driver	
<b>SYSMAC C</b>					
C500 C500F C1000H C2000 C2000H	C120-LK201-V1	RS232C Connection Diagram 1 (Page 2-77)	ER	SYSMAC C series	
	C120-LK202-V1	RS422/485 4-wire Connection Diagram 2 (Page 2-78)	None		
	C500-LK201-V1	RS232C Connection Diagram 1 (Page 2-77)	ER		
		RS422/485 4-wire Connection Diagram 2 (Page 2-78)	None		
	C500-LK203	RS232C Connection Diagram 1 (Page 2-77)	ER		
		RS422/485 4-wire Connection Diagram 3 (Page 2-79)	None		
	C1000HF	C500-LK203	RS232C Connection Diagram 1 (Page 2-77)		ER
			RS422/485 4-wire Connection Diagram 3 (Page 2-79)		None
	C200HS	C200H-LK201	RS232C Connection Diagram 1 (Page 2-77)		ER
		C200H-LK202	RS422/485 4-wire Connection Diagram 2 (Page 2-78)		None
C200HE C200HG C200HX	C200H-LK201	RS232C Connection Diagram 1 (Page 2-77)	ER		
	C200H-LK202	RS422/485 4-wire Connection Diagram 2 (Page 2-78)	None		
		C200HW-COM02 C200HW-COM04 C200HW-COM05 C200HW-COM06		RS232C Connection Diagram 6 (Page 2-81)	
		C200HW-COM03 C200HW-COM06		RS422/485 4-wire Connection Diagram 7 (Page 2-82)	
C120 C120F	C120-LK201-V1	RS232C Connection Diagram 1 (Page 2-77)	ER		
	C120-LK202-V1	RS422/485 4-wire Connection Diagram 2 (Page 2-78)	None		
C20H C28H C40H C60H	Not required (Connects to CPU Unit)	RS232C Connection Diagram 4 (Page 2-80)			
C200HE-CPU42 C200HG-CPU43 C200HG-CPU63 C200HX-CPU44 C200HX-CPU64	Not required (Connects to CPU Unit)	RS232C Connection Diagram 6 (Page 2-81)			
C200HS-CPU21 C200HS-CPU23 C200HS-CPU31 C200HS-CPU33 CQM1H	Not required (Connects to CPU Unit)	RS232C Connection Diagram 5 (Page 2-80)			

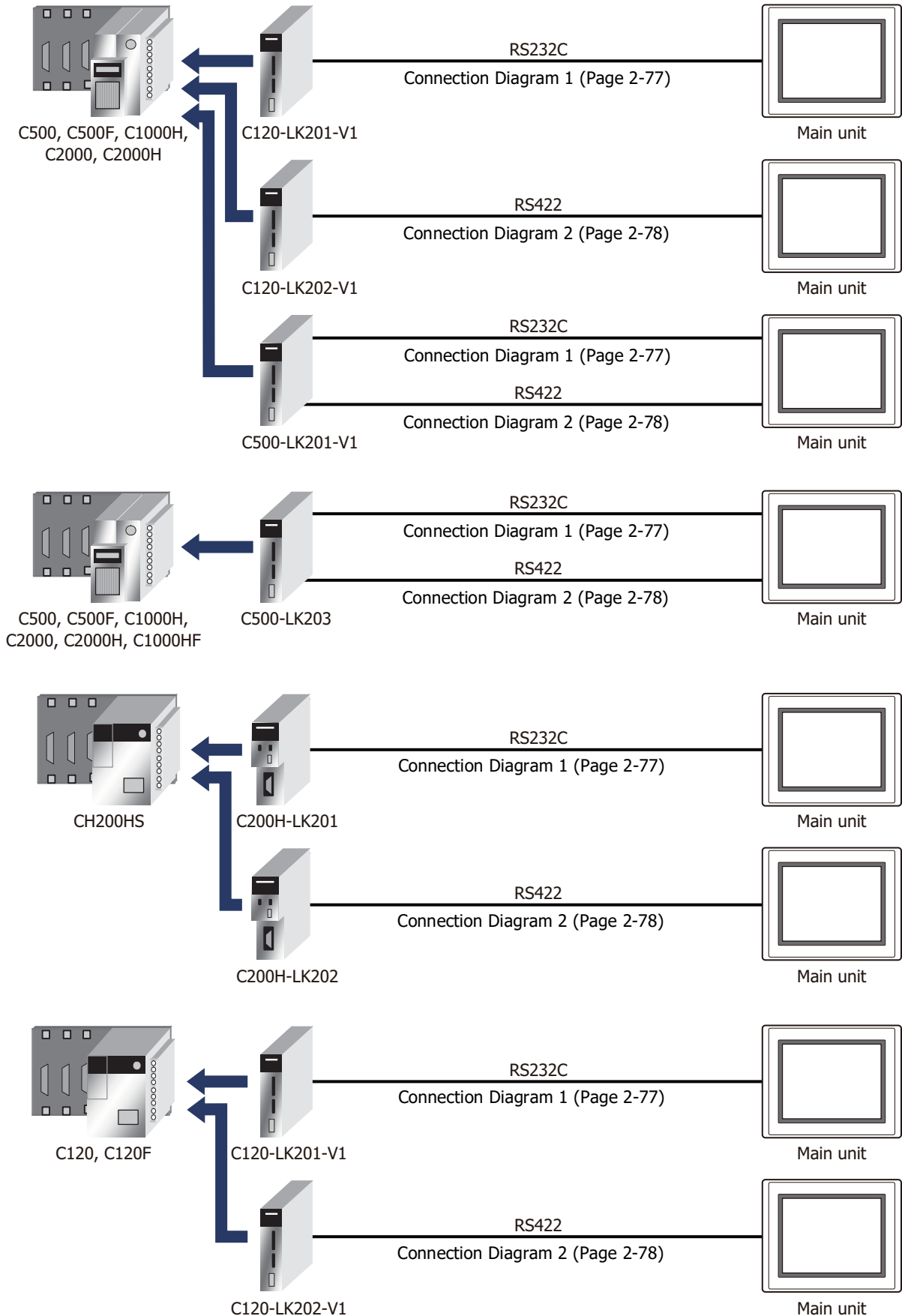
CPU Unit	Link Unit	WindO/I-NV4 Settings		
		Interface	Flow Control	Communication Driver
CPM1 CPM1A CPM2A	CPM1-CIF01	RS232C Connection Diagram 5 (Page 2-80)	None	SYSMAC C series
	CPM1-CIF11	RS422/485 4-wire Connection Diagram 8 (Page 2-83)		
CPM2A	Not required (Connects to CPU Unit)	RS232C Connection Diagram 5 (Page 2-80)		
<b>SYSMAC CS1</b>				
CS1G CS1H	Not required (Connects to CPU Unit)	RS232C Connection Diagram 6 (Page 2-81)	None	SYSMAC CS1 series
	CS1W-SCB41 (port1)	RS232C Connection Diagram 6 (Page 2-81)		
	CS1W-SCB41 (port2)	RS422/485 4-wire Connection Diagram 7 (Page 2-82)		
	CS1W-ENT01 CS1W-ENT11 CS1W-ENT21	Ethernet	-	SYSMAC CS1/CJ series(Ethernet)
<b>SYSMAC CJ1</b>				
CJ1H CJ1G CJ1M	Not required (Connects to CPU Unit)	RS232C Connection Diagram 6 (Page 2-81)	None	SYSMAC CS1 series
	CJ1W-SCU21-V1	RS232C Connection Diagram 6 (Page 2-81)		
	CJ1W-SCU31-V1	RS422/485 4-wire Connection Diagram 7 (Page 2-82)		
	CJ1W-SCU41-V1(port1)	RS422/485 4-wire Connection Diagram 7 (Page 2-82)		
	CJ1W-SCU41-V1(port2)	RS232C Connection Diagram 6 (Page 2-81)		
	CJ1W-ETN21	Ethernet	-	SYSMAC CS1/CJ series(Ethernet)
<b>SYSMAC CJ2</b>				
CJ2H-CPU64 CJ2H-CPU65 CJ2H-CPU66 CJ2H-CPU67 CJ2H-CPU68 CJ2M-CPU11 CJ2M-CPU12 CJ2M-CPU13 CJ2M-CPU14 CJ2M-CPU15	Not required (Connects to CPU Unit)	RS232C Connection Diagram 6 (Page 2-81)	None	SYSMAC CS1 series
	CJ1W-SCU21-V1	RS232C Connection Diagram 6 (Page 2-81)		
	CJ1W-SCU31-V1	RS422/485 4-wire Connection Diagram 7 (Page 2-82)		
	CJ1W-SCU41-V1(port1)	RS422/485 4-wire Connection Diagram 7 (Page 2-82)		
	CJ1W-SCU41-V1(port2)	RS232C Connection Diagram 6 (Page 2-81)		
	CJ1W-ETN21	Ethernet		
	CJ2M-CPU31 CJ2M-CPU32 CJ2M-CPU33 CJ2M-CPU34 CJ2M-CPU35	CP1W-CIF01	RS232C Connection Diagram 6 (Page 2-81)	None
CP1W-CIF11		RS422/485 4-wire Connection Diagram 8 (Page 2-83)		
CJ1W-SCU21-V1		RS232C Connection Diagram 6 (Page 2-81)		
CJ1W-SCU31-V1		RS422/485 4-wire Connection Diagram 7 (Page 2-82)		
CJ1W-SCU41-V1(port1)		RS422/485 4-wire Connection Diagram 7 (Page 2-82)		
CJ1W-SCU41-V1(port2)		RS232C Connection Diagram 6 (Page 2-81)		
Ethernet port on the CPU Unit		Ethernet	-	
CJ1W-ETN21				

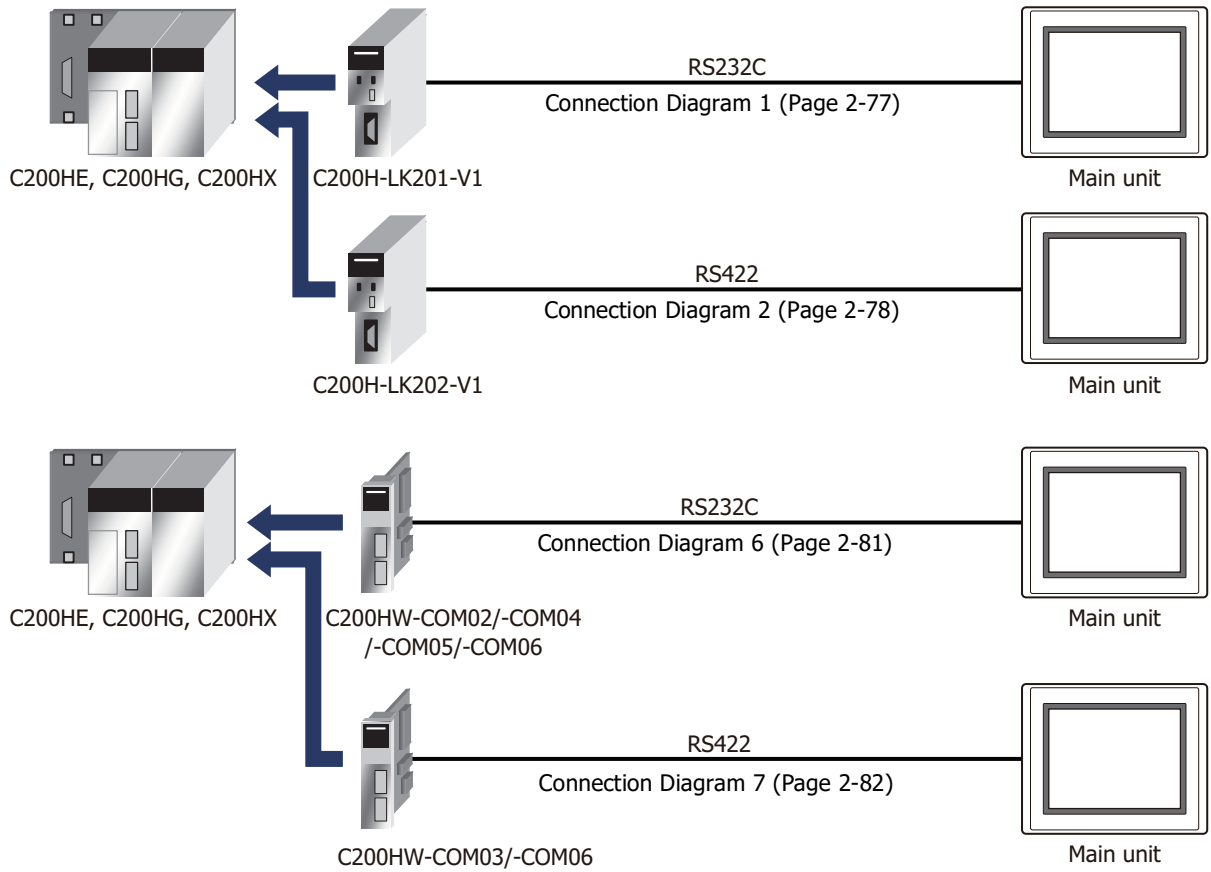
CPU Unit	Link Unit	WindO/I-NV4 Settings				
		Interface	Flow Control	Communication Driver		
CJ2H-CPU64-EIP CJ2H-CPU65-EIP CJ2H-CPU66-EIP CJ2H-CPU67-EIP CJ2H-CPU68-EIP	Not required (Connects to CPU Unit)	RS232C Connection Diagram 6 (Page 2-81)	None	SYSMAC CS1 series		
	CJ1W-SCU21-V1	RS232C Connection Diagram 6 (Page 2-81)				
	CJ1W-SCU31-V1	RS422/485 4-wire Connection Diagram 7 (Page 2-82)				
	CJ1W-SCU41-V1(port1)	RS422/485 4-wire Connection Diagram 7 (Page 2-82)				
	CJ1W-SCU41-V1(port2)	RS232C Connection Diagram 6 (Page 2-81)				
	Ethernet port on the CPU Unit	Ethernet			-	SYSMAC CS1/CJ series(Ethernet)
	CJ1W-ETN21					
<b>SYSMAC CP1</b>						
CP1E-N14 CP1E-N20	Not required (Connects to CPU Unit)	RS232C Connection Diagram 6 (Page 2-81)	None	SYSMAC CS1 series		
CP1E-N30 CP1E-N40 CP1E-N60 CP1E-NA20	Not required (Connects to CPU Unit)	RS232C Connection Diagram 6 (Page 2-81)				
	CP1W-CIF01	RS232C Connection Diagram 6 (Page 2-81)				
CP1L-EL20 CP1L-EM20 CP1L-EM30 CP1L-EM40 CP1L-L14 CP1L-L20 CP1L-M30 CP1L-M40 CP1L-M60	CP1W-CIF11	RS422/485 4-wire Connection Diagram 8 (Page 2-83)				
	CP1W-CIF01	RS232C Connection Diagram 6 (Page 2-81)				
CP1H-X40 CP1H-XA20 CP1H-Y20D	CP1W-CIF01	RS232C Connection Diagram 6 (Page 2-81)			None	SYSMAC CS1 series
	CP1W-CIF11	RS422/485 4-wire Connection Diagram 8 (Page 2-83)				
	CJ1W-SCU21-V1	RS232C Connection Diagram 6 (Page 2-81)				
	CJ1W-SCU31-V1	RS422/485 4-wire Connection Diagram 7 (Page 2-82)				
	CJ1W-SCU41-V1(port1)	RS422/485 4-wire Connection Diagram 7 (Page 2-82)				
	CJ1W-SCU41-V1(port2)	RS232C Connection Diagram 6 (Page 2-81)				
	CJ1W-ETN21	Ethernet	-	SYSMAC CS1/CJ series(Ethernet)		
<b>SYSMAC NJ</b>						
NJ501 NJ301 NJ101	Not required (Connects to CPU Unit)	Ethernet	-	SYSMAC CS1/CJ series(Ethernet)		
<b>SYSMAC NX1P</b>						
NX1P2	Not required (Connects to CPU Unit)	Ethernet	-	SYSMAC CS1/CJ series(Ethernet)		

### 3.2 System Configuration

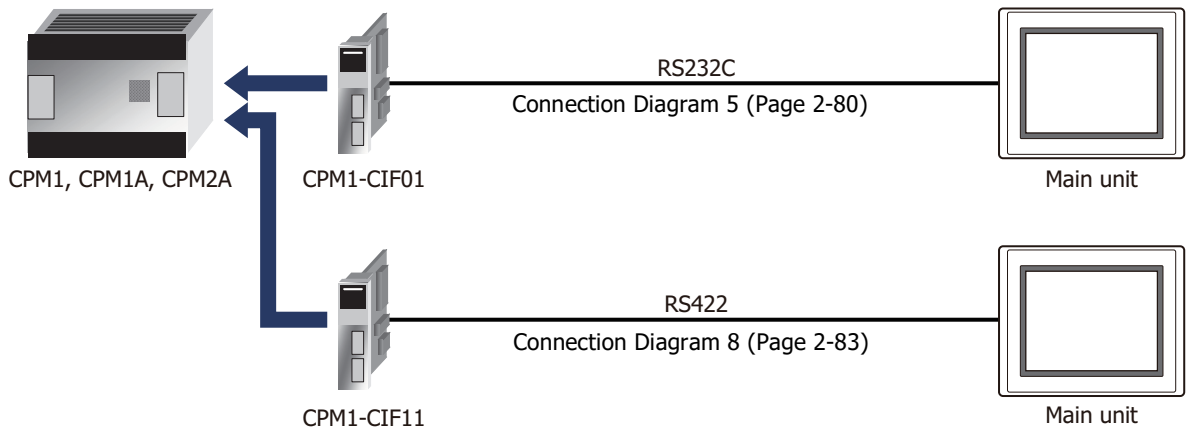
This is the system configuration for the connection of OMRON PLCs to the main unit.

● SYSMAC C series (Connects to PLC Link Unit)

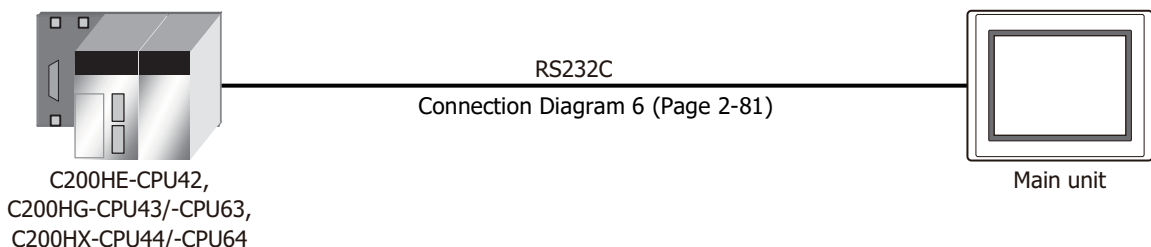
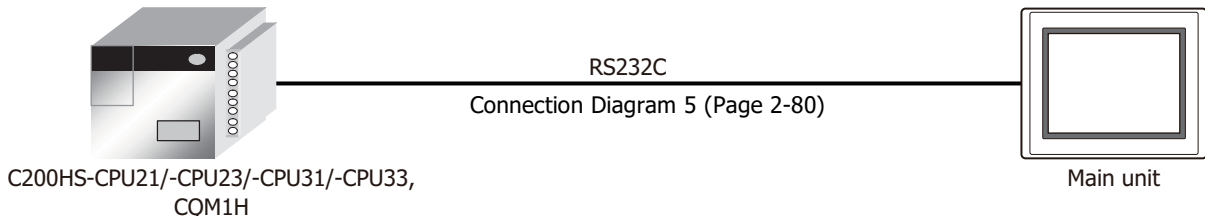
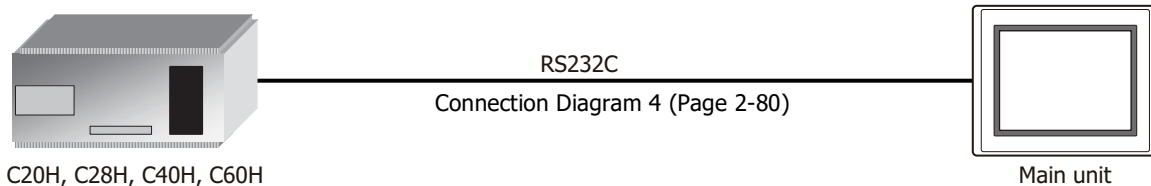




You can use the same cable for Connection Diagram 6 as for Connection Diagram 5.

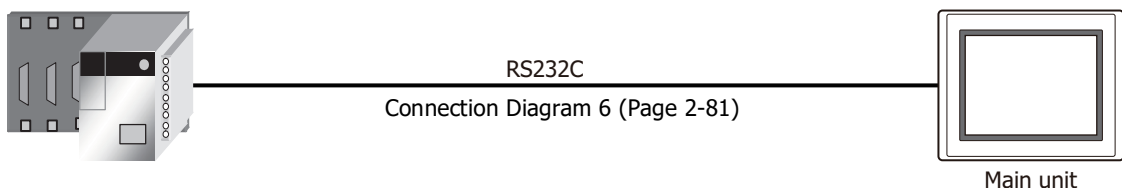


● SYSMAC C series (Connects to Link Interface on CPU Unit)



 You can use the same cable for Connection Diagram 6 as for Connection Diagram 5.

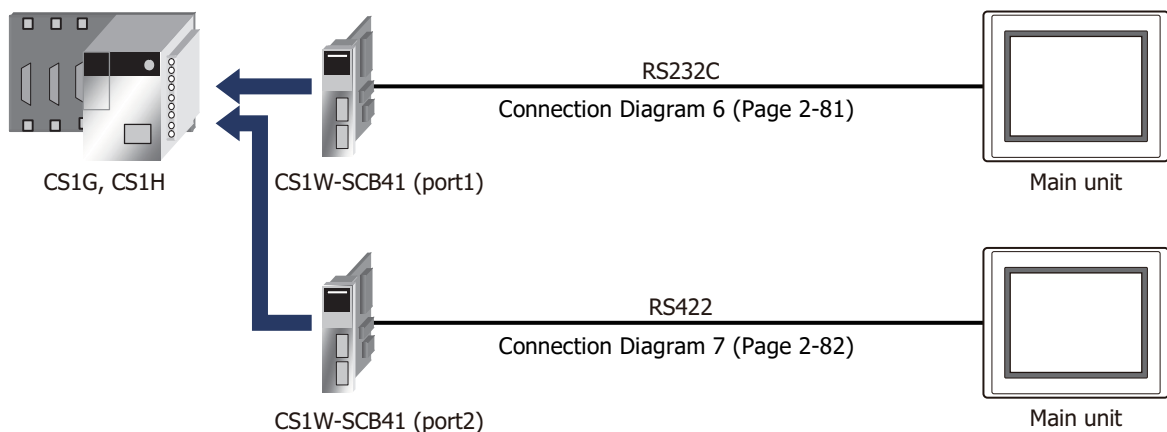
● SYSMAC CS/CJ/CP series (Connects to RS232C port on CPU Unit)



 You can use the same cable for Connection Diagram 6 as for Connection Diagram 5.

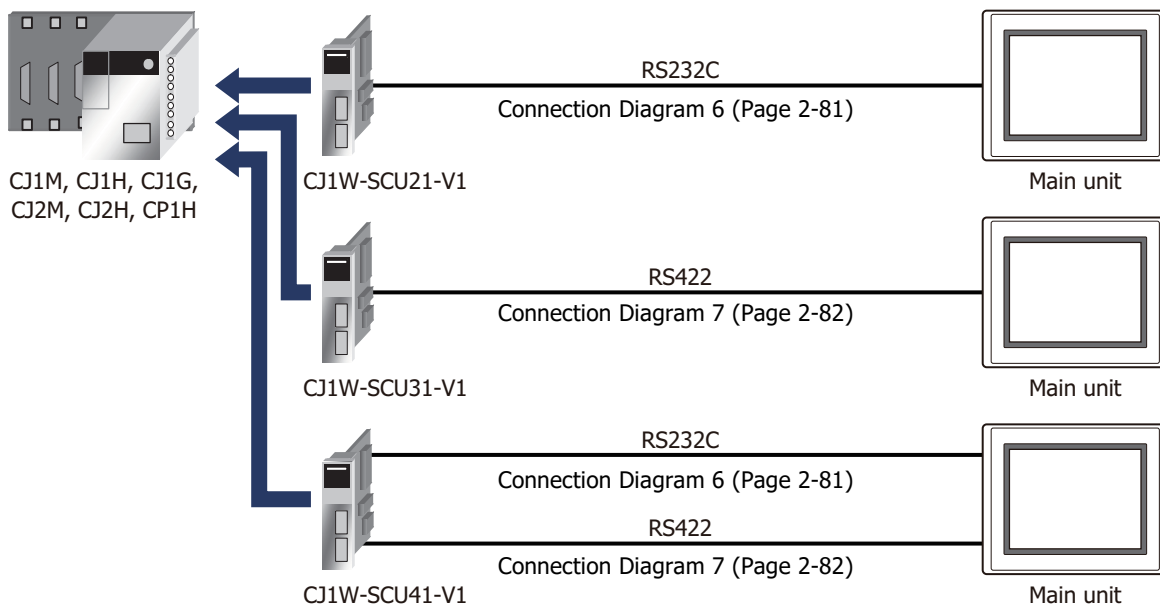
● SYSMAC CS/CJ/CP series (Connects to Communication Board)

SYSMAC CS1 series



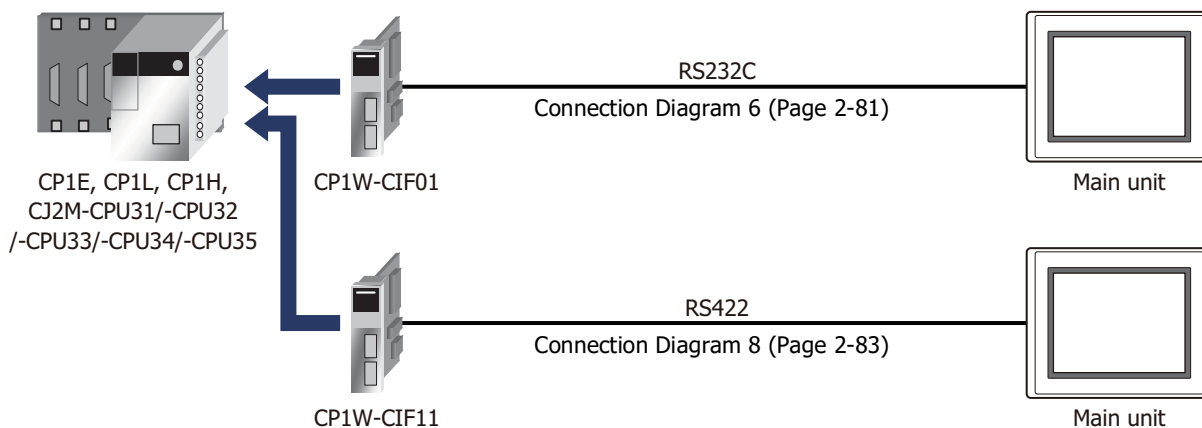
 You can use the same cable for Connection Diagram 6 as for Connection Diagram 5.

SYSMAC CJ/CP series



You can use the same cable for Connection Diagram 6 as for Connection Diagram 5.

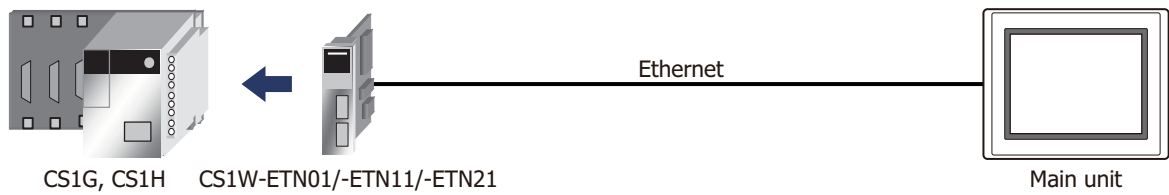
SYSMAC CJ/CP series



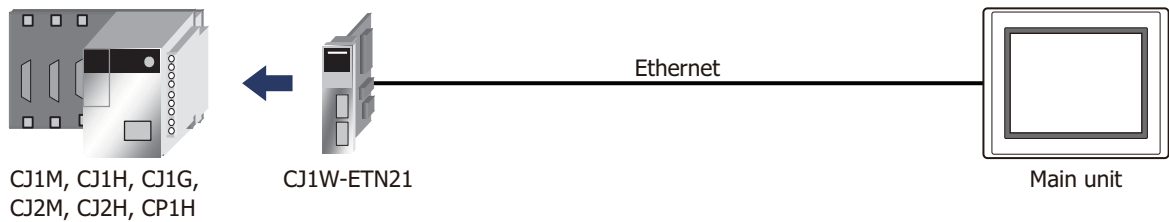
You can use the same cable for Connection Diagram 6 as for Connection Diagram 5.

● SYSMAC CS/CJ/CP series (Connects to Ethernet Communication Unit)

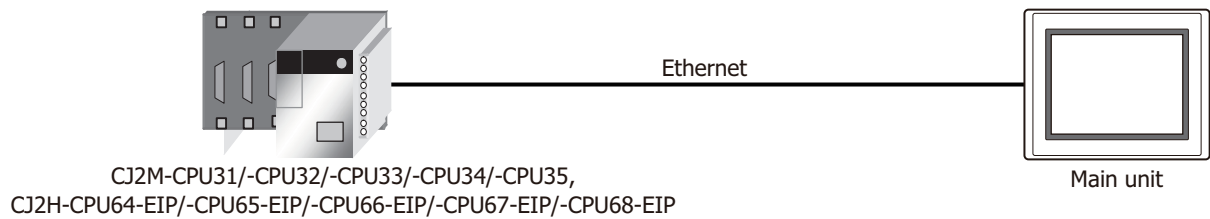
SYSMAC CS1 series



SYSMAC CJ1/CJ2 series

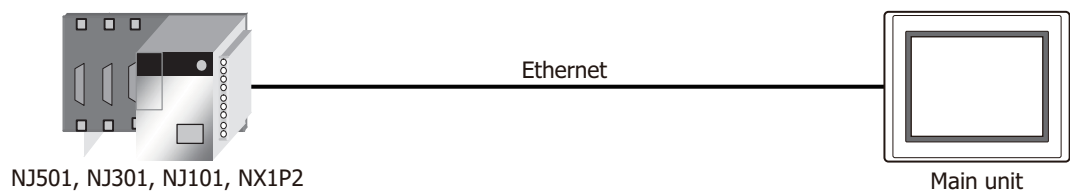


SYSMAC CJ2 series



- Use a crossover cable to connect the main unit and PLC directly.
- When using a hub (Ethernet switch), use a cable that can be used with the hub.

● SYSMAC NJ/NX1P Series (Connects to Ethernet port on CPU Module)





### 3.3 Connection Diagram



The connector types given in the Connection Diagrams are for the unit and not the cable. For details regarding wiring, refer to Chapter 1 "3 Important Points Regarding Wiring" on page 1-4.

#### ● Connection Diagram 1: RS232C Link Unit

PLC(RS232C):  
D-sub 25-pin Female Connector

Name	Pin No.
FG	1
SD	2
RD	3
RS	4
CS	5
	6
SG	7
	8
ER	20

Shield Wire

FT2J/1J, HG2J/1J, HG5G/4G/3G/2G-V,  
HG4G/3G, HG2G-5F/-5T, HG1G:

Terminal block

Pin No.	Name
2	RD
1	SD
3	RS
5 or 10*1	SG
4	CS

PLC(RS232C):  
D-sub 25-pin Female Connector

Name	Pin No.
FG	1
SD	2
RD	3
RS	4
CS	5
	6
SG	7
	8
ER	20

Shield Wire

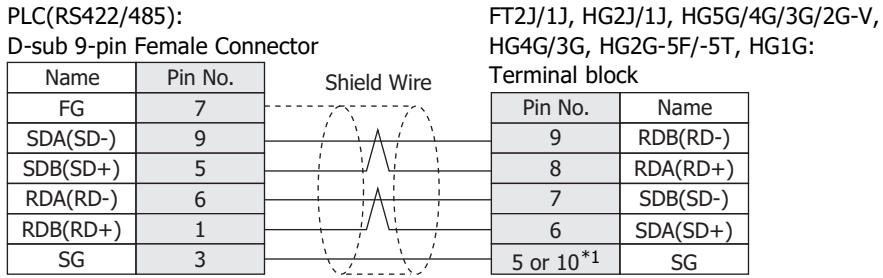
HG5G/4G/3G/2G-V,  
HG4G/3G, HG2G-5F:

D-sub 9-pin Male Connector

Pin No.	Name
Cover	FG
2	RD
3	SD
7	RS
5	SG
8	CS

\*1 FT1J, HG1J only

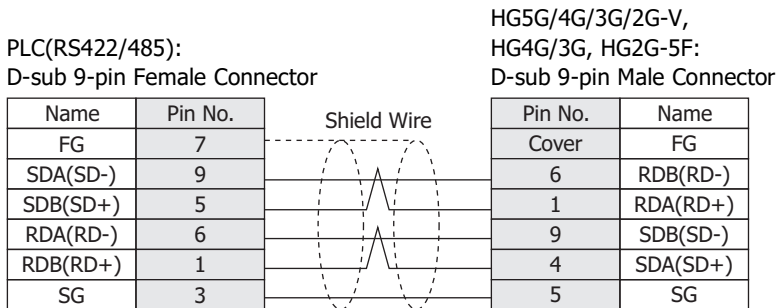
● Connection Diagram 2: RS422 Link Unit



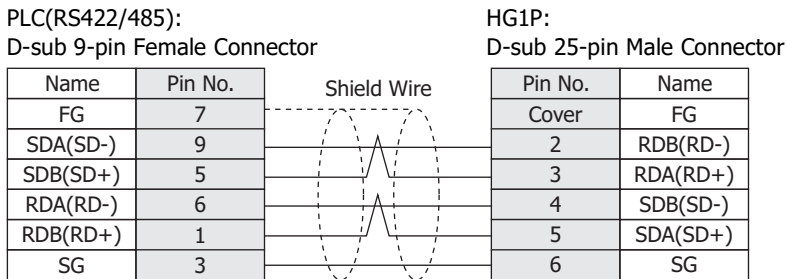
Insert a terminating resistor, if necessary. For the setting method, refer to Chapter 1 "3 Important Points Regarding Wiring" on page 1-4.



We recommend that you switch on the termination resistor on the PLC Link unit side for long-distance transmission.

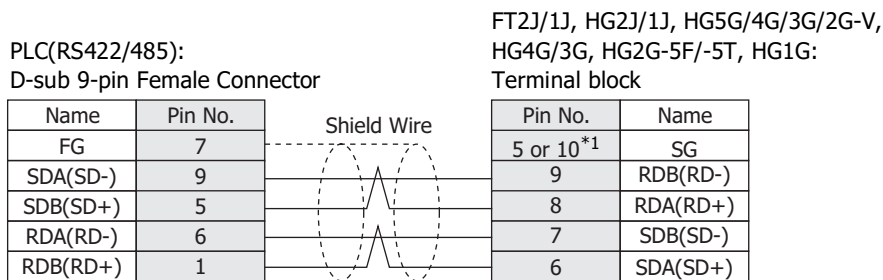


We recommend that you switch on the termination resistor on the PLC Link unit side for long-distance transmission.



\*1 FT1J, HG1J only

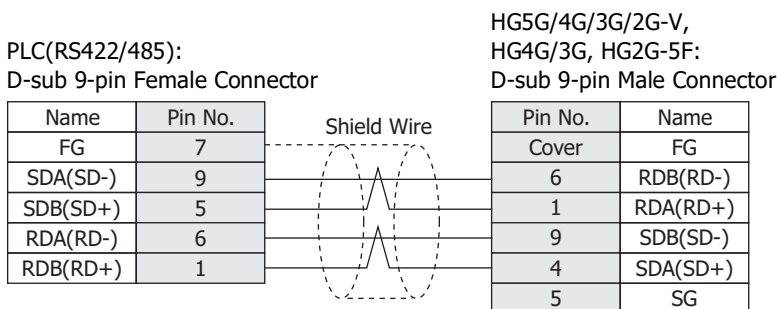
● Connection Diagram 3: RS422 Link Unit



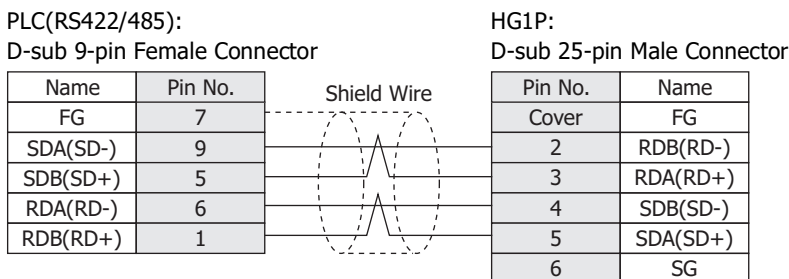
Insert a terminating resistor, if necessary. For the setting method, refer to Chapter 1 "3 Important Points Regarding Wiring" on page 1-4.



We recommend that you switch on the termination resistor on the PLC Link unit side for long-distance transmission.

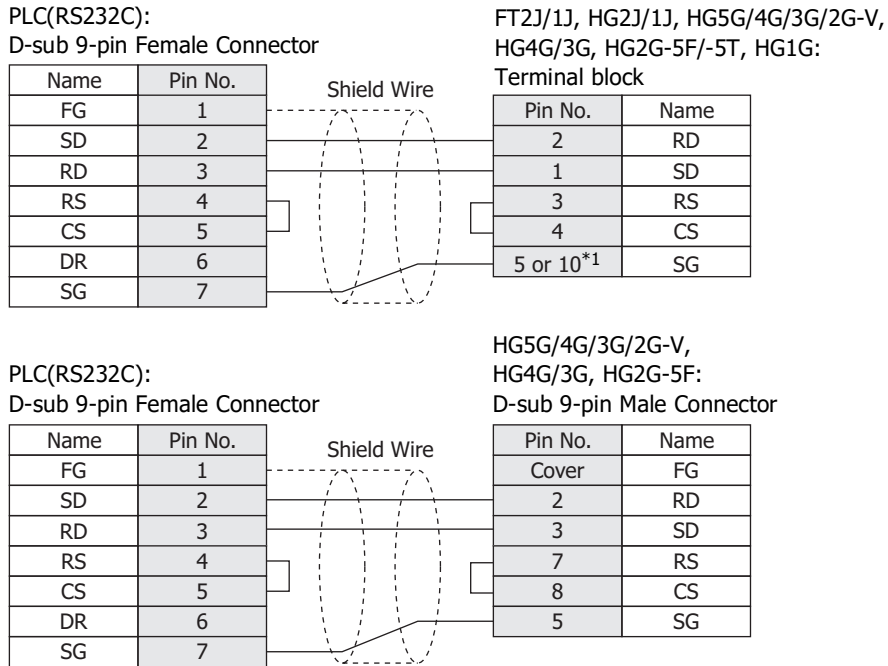


We recommend that you switch on the termination resistor on the PLC Link unit side for long-distance transmission.

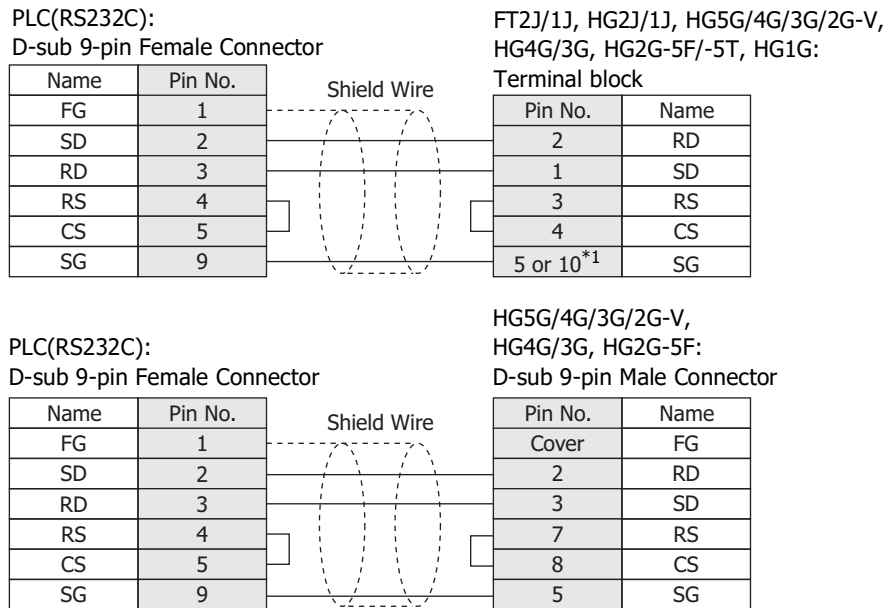


\*1 FT1J, HG1J only

● Connection Diagram 4: CPU Unit Link Interface



● Connection Diagram 5: CPU Unit Link Interface



\*1 FT1J, HG1J only

● Connection Diagram 6: PLC (RS232C) Interface

PLC(RS232C):  
D-sub 9-pin Female Connector

Name	Pin No.
FG	1
SD	2
RD	3
RS	4
CS	5
DR	7
ER	8
SG	9

Shield Wire

FT2J/1J, HG2J/1J, HG5G/4G/3G/2G-V,  
HG4G/3G, HG2G-5F/-5T, HG1G:  
Terminal block

Pin No.	Name
2	RD
1	SD
3	RS
4	CS
5 or 10*1	SG

PLC(RS232C):  
D-sub 9-pin Female Connector

Name	Pin No.
FG	1
SD	2
RD	3
RS	4
CS	5
DR	7
ER	8
SG	9

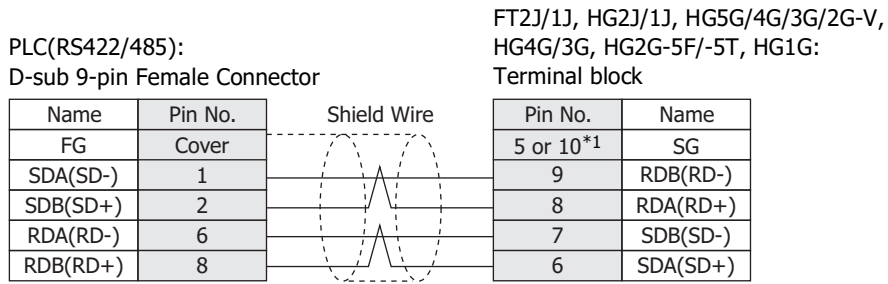
Shield Wire

HG5G/4G/3G/2G-V,  
HG4G/3G, HG2G-5F:  
D-sub 9-pin Male Connector

Pin No.	Name
Cover	FG
2	RD
3	SD
7	RS
8	CS
5	SG

\*1 FT1J, HG1J only

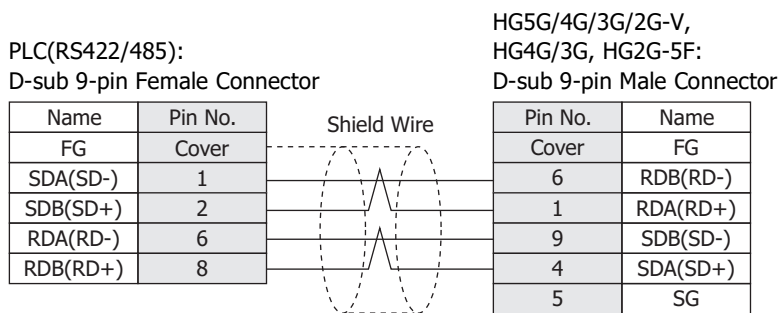
● Connection Diagram 7: RS422 Communication Board



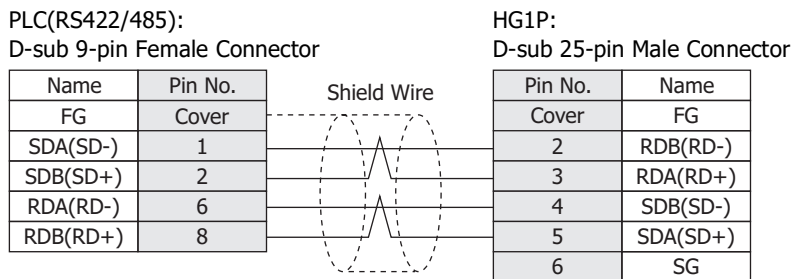
Insert a terminating resistor, if necessary. For the setting method, refer to Chapter 1 “3 Important Points Regarding Wiring” on page 1-4.



We recommend that you switch on the termination resistor on the PLC Link unit side for long-distance transmission.

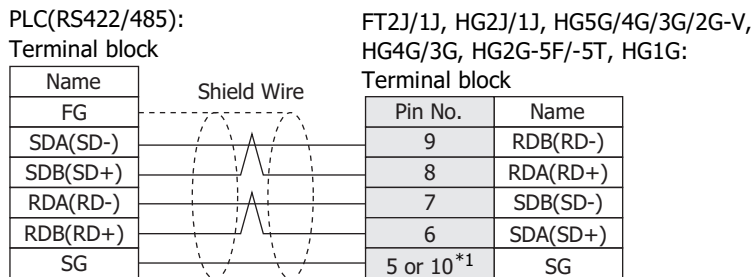


We recommend that you switch on the termination resistor on the PLC Link unit side for long-distance transmission.



\*1 FT1J, HG1J only

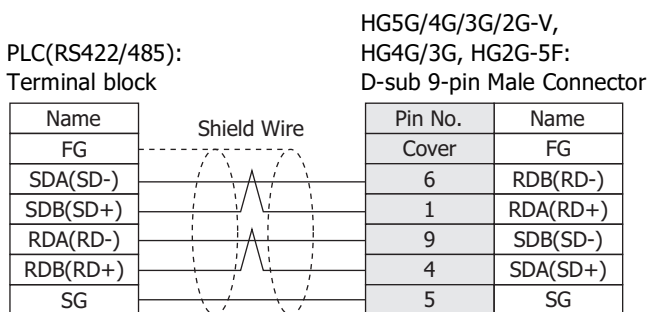
● Connection Diagram 8: RS422 Adaptor



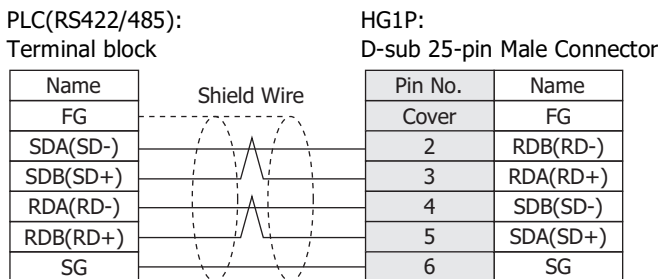
Insert a terminating resistor, if necessary. For the setting method, refer to Chapter 1 "3 Important Points Regarding Wiring" on page 1-4.



We recommend that you switch on the termination resistor on the PLC Link unit side for long-distance transmission.



We recommend that you switch on the termination resistor on the PLC Link unit side for long-distance transmission.



\*1 FT1J, HG1J only

### 3.4 Environment Settings

#### ● PLC Link Unit Settings

Use the rotary switches and DIP switches on the Link unit.

Item		Setting	
Interface		RS232C	RS485
Transmission Control Protocol		1:N	
Command Level		Levels 1, 2 and 3 are valid	
Baud Rate	Use the same settings as for the main unit.	19200, 9600, 4800, 2400 or 1200 bps	
Transmission Code		7 or 8 bit ASCII	
Stop Bits		1 or 2	
Unit No.*1		0 to 31 (Decimal)	
Parity		Even or Odd	
CTS Switch		0V (always on)	
Synchronization Switch		Internal	
Termination Resistor		-----	Yes



- For details, refer to the Link unit manual.
- Select using Register Command or not on the Communication Driver tab in the Project Settings dialog box.

#### ● CPU Unit RS232C Link Interface Settings

Write the RS232C Interface setting item for the System Settings Area using a peripheral tool (such as Proconn).

System Settings Area		Item	Setting
C20H/28H/40H/60H	CQM1H C200HS/C200HE/ C200HG/C200HX		
DM0920	DM6645	Standard/Individual Setting*2	Same setting as the main unit
		Mode	PLC Link Mode
DM0921	DM6646	Communication parameters for when the previous item is set to Individual.	Use the same settings as for the main unit.
DM0922	DM6647	Transmission Delay	0 msec
		RS/CS presence	None
DM0923	DM6648	Unit No.	Same setting as the main unit



For CQM1H and C200HS, turns the setting switch number 5 on the CPU unit to OFF.



- For details, refer to the Link unit manual.
- Select using Register Command or not on the Communication Driver tab in the Project Settings dialog box.

\*1 Set a decimal number for the Unit No. on the main unit.

\*2 Standard settings are as follows:

Baud Rate: 9600 bps  
 Data Bits: 7  
 Stop Bits: 2  
 Parity: Even



### ● CPU Unit RS232C Link Interface Settings (SYSMAC CS1 series)

Write the RS232C Interface setting items for the System Settings Area using a peripheral tool (such as Proconn).

Channel	Item	Setting
160	Optional/Initial Setting <sup>*1</sup>	Set to 1 for Optional Setting.
	Serial Communication mode	Set to PLC Link.
	Data Bits	Use the same settings as for the main unit.
	Stop Bits	
	Parity	
161	Port Communication Speed	Use the same settings as for the main unit.
162	In the case of No Protocol Mode	Do not set.
163	Unit No.	Set to the same as the main unit PLC Link Station Number.
164	In the case of No Protocol Mode	Do not set.



- For details, refer to the PLC manual.
- For the SYSMAC CS1 series, turns the setting switch number 5 on the CPU unit to OFF to enable you to make your own communication settings.

### ● C200Hα (Communication Board) Settings

Write the Communication Board setting items for the System Settings Area using a peripheral tool (such as Proconn).

System Settings Area		Item	Setting
Port A	Port B		
DM6555	DM6550	Standard Setting or Individual Setting <sup>*1</sup>	Same setting as the main unit.
		Mode	PLC Link Mode
DM6556	DM6551	Communication parameters for when the previous item is set to Individual.	Same setting as the main unit.
DM6557	DM6552	Transmission Delay	0 msec
DM6558	DM6553	Unit No.	Same setting as the main unit.



Set DIP switch SW1 to the 4 (4-wire).



- Set DIP switch SW2 to ON to turn the termination resistor setting ON. For details, refer to the Communication Board manual.
- Select using Register Command or not on the Communication Driver tab in the Project Settings dialog box.

\*1 Initial settings or Standard settings are as follows:

Baud Rate: 9600 bps  
 Data Bits: 7  
 Stop Bits: 2  
 Parity: Even

### ● SYSMAC CS1 series (Communication Board) Settings

Write the Communication Board setting items for the System Settings Area using a peripheral tool (such as Proconn).

System Settings Area		Item	Setting
Port 1	Port 2		
DM32000	DM32010	Optional or Initial Setting* <sup>1</sup>	Set to 1 for Optional Setting.
		Serial Communication mode	Set to PLC Link.
		Data Bits	Use the same settings as for the main unit.
		Stop Bits	
		Parity	
DM32001	DM32011	Port Communication Speed	Use the same settings as for the main unit.
DM32002	DM32012	Transmission Delay setting	Default: 0 msec
		Delay time setting	
DM32003	DM32013	CTS control	Set to 0 for no
		Unit No.	Use the same settings as for the main unit.



Set DIP switch SW1 to the 4 (4-wire).



Set DIP switch SW2 to ON to turn the termination resistor setting ON. For details, refer to the Communication Board manual.

### ● CPU Unit (CPM1/1A/2A)

Connects via CPM1-CIF01(RS232C)/-CIF11(RS422).

Item	Setting
Port	RS232C or RS422
Baud Rate	9600 bps
Data Bits	7
Stop Bits	2
Parity	Even



Select using Register Command or not on the Communication Driver tab in the Project Settings dialog box. For details, refer to the PLC manual.

\*1 Initial settings are as follows:

Baud Rate: 9600 bps  
 Data Bits: 7  
 Stop Bits: 2  
 Parity: Even

## ● SYSMAC CS1/CJ series (Ethernet Communication Unit) Settings

Set the following items on Project Settings dialog box in WindO/I-NV4.

Tab Name	Item	Setting
Communication Interface	IP Address	Set the IP address of the main unit.
	Subnet Mask	Set the subnet mask of the main unit.
	Default Gateway	Set the default gateway of the main unit.
Communication Driver Network	IP Address	Set the IP address of Ethernet Communication Unit.
	Port Number	Set the port number of Ethernet Communication Unit.
	FINS Network Address	Set the network address which is set in the Ethernet Communication Unit.
	FINS Node Address	Set the node address which is set in the Ethernet Communication Unit.
	Port Number (Operator Interface)	Set the UDP port number of the main unit.If you set "0", the port number of the main unit is set automatically.
Communication Driver	FINS Network Address (Operator Interface)	Set the network address of the main unit.
	FINS Node Address (Operator Interface)	Set the node address of the main unit.



Duplicate UDP port numbers of the main unit cannot be configured in the following functions.

- **UDP** is selected for the User Communication (☞ refer to Chapter 4 "Communication Interface Tab" in the WindO/I-NV4 User's Manual)
- **OMRON** as **Manufacture** and **SYSMAC CS1/CJ series(Ethernet)** as **Communication Driver** are selected on the Communication Driver tab
- **IDEC System** as **Manufacture** and **DM LINK Ethernet(UDP)** as **Communication Driver** are selected on the Communication Driver tab (☞ refer to Chapter 4 "Project Settings Dialog Box" on page 4-18)



The communication settings are fixed. For details, refer to the Ethernet Communication Unit manual.

### ● SYSMAC NJ/NX1P Series via Ethernet

Set the following items on Project Settings dialog box in WindO/I-NV4.

Tab Name	Item	Setting
Communication Interface	IP Address	Set the IP address of the main unit.
	Subnet Mask	Set the subnet mask of the main unit.
	Default Gateway	Set the default gateway of the main unit.
Communication Driver Network	IP Address	Set the IP address of PLC.
	Port Number	Set the port number of the PLC.
	FINS Network Address	Set the network address which is set in the PLC.
	FINS Node Address	Set the fourth value of the IP address of the PLC. Example: When the IP address of the PLC is 192.168.1.2, set 2.
	Port Number (Operator Interface)	Set the UDP port number of the main unit.If you set "0", the port number of the main unit is set automatically.
Communication Driver	FINS Network Address (Operator Interface)	Set the network address of the main unit.
	FINS Node Address (Operator Interface)	Set the fourth value of the IP address of the PLC. Example: When the IP address of the main unit is 192.168.1.6, set 6.



Duplicate UDP port numbers of the main unit cannot be configured in the following functions.

- **UDP** is selected for the User Communication (☞ refer to Chapter 4 "Communication Interface Tab" in the WindO/I-NV4 User's Manual)
- **OMRON** as **Manufacture** and **SYSMAC CS1/CJ series(Ethernet)** as **Communication Driver** are selected on the Communication Driver tab
- **IDEC System** as **Manufacture** and **DM LINK Ethernet(UDP)** as **Communication Driver** are selected on the Communication Driver tab (☞ refer to Chapter 4 "Project Settings Dialog Box" on page 4-18)
- It is necessary to set the variables on the PLC side so that they can be read and written from the main unit.  
The communication settings are fixed. For details, refer to the Ethernet Communication Unit manual.

### 3.5 Usable Device Addresses

- SYSMAC C (Communication Driver: SYSMAC C series)

#### Bit Device

Device Name	Device Type		Address Number Range	Read /Write	Address Numeral System
	Main unit	PLC			
Input/Output Internal Relay	R	CIO	0 to 99915, 120000 to 614315	R/W	*1
Link Relay	LR	LR	0 to 19915	R/W	*1
Holding Relay	HR	HR	0 to 51115	R/W	*1
Auxiliary Memory Relay	AR	AR	0 to 95915	R	*1
Timer (Contact)	TIMC	TC	0 to 2047	R	
Counter (Contact)	CNTC	TC	0 to 4095	R	

#### Word Device

Device Name	Device Type		Address Number Range	Read /Write	Address Numeral System
	Main unit	PLC			
Input/Output Internal Relay	WR	CIO	0 to 999, 1200 to 6143	R/W	
Link Relay	WLR	LR	0 to 199	R/W	
Holding Relay	WHR	HR	0 to 511	R/W	
Auxiliary Memory Relay	WAR	AR	0 to 959	R	
Timer (Current Value)	TIMN	TC	0 to 2047	R	
Counter (Current Value)	CNTN	TC	0 to 4095	R	
Data Memory	DM	DM	0 to 9999	R/W	



With a Bit Write operation, the word data is first read from the PLC, and a logic operation (AND or OR) is performed on the relevant bit before writing it to the PLC to ensure that the values of other bits in the same channel are preserved. However, be certain that the PLC does not modify the data in the channel during the time that the main unit is writing the data.

\*1 The last two digits indicate the bit number (0 to 15).

● SYSMAC CS1 series (Communication Driver: SYSMAC CS1 series)

**Bit Device**

Device Name	Device Type		Address Number Range	Read /Write	Address Numeral System
	Main unit	PLC			
Core I/O	CIO	CIO	0 to 614315	R/W	*1
Work Area	WR	WR	0 to 51115	R/W	*1
Holding Bit	HR	HR	0 to 51115	R/W	*1
Auxiliary Bit	AR	AR	0 to 95915	R	*1
Timer (Contact)	TIMC	TIMC	0 to 4095	R	
Counter (Contact)	CNTC	CNTC	0 to 4095	R	
Task Bit	TK	TK	0 to 31	R	

**Word Device**

Device Name	Device Type		Address Number Range	Read /Write	Address Numeral System
	Main unit	PLC			
Core I/O	WCIO	CIO	0 to 6143	R/W	
Work Area	WWR	WR	0 to 511	R/W	
Holding Bit	WHR	HR	0 to 511	R/W	
Auxiliary Bit	WAR	AR	0 to 959	R	
Timer (Present value)	TIMN	TIM	0 to 4095	R	
Counter (Present value)	CNTN	CNT	0 to 4095	R	
Data Memory	DM	DM	0 to 32767	R/W	
Expansion Data Memory (Bank 0)	EM0	EM0	0 to 32767	R/W	
Expansion Data Memory (Bank 1)	EM1	EM1	0 to 32767	R/W	
Expansion Data Memory (Bank 2)	EM2	EM2	0 to 32767	R/W	
Expansion Data Memory (Bank 3)	EM3	EM3	0 to 32767	R/W	
Expansion Data Memory (Bank 4)	EM4	EM4	0 to 32767	R/W	
Expansion Data Memory (Bank 5)	EM5	EM5	0 to 32767	R/W	
Expansion Data Memory (Bank 6)	EM6	EM6	0 to 32767	R/W	
Expansion Data Memory (Bank 7)	EM7	EM7	0 to 32767	R/W	
Expansion Data Memory (Bank 8)	EM8	EM8	0 to 32767	R/W	
Expansion Data Memory (Bank 9)	EM9	EM9	0 to 32767	R/W	
Expansion Data Memory (Bank A)	EMA	EMA	0 to 32767	R/W	
Expansion Data Memory (Bank B)	EMB	EMB	0 to 32767	R/W	
Expansion Data Memory (Bank C)	EMC	EMC	0 to 32767	R/W	
Task Area (Status)	TKS	TKS	0 to 31	R	
Index Register	IR	IR	0 to 15	R	
Data Register	DR	DR	0 to 15	R	



- The usable address number range of the Expansion Data Memory varies based on the CPU model. For details, refer to the manual for SYSMAC CS1 series.
- The Task Bit is 1 when the cycle execution task is in the executable state, and 0 when it is in the unexcited or standby states.
- The Task Area (Status) indicates the following states.
  - 0: Never started
  - 1: In the stopped state after starting once
  - 2: Starting

\*1 The last two digits indicate the bit number (0 to 15).

● SYSMAC CS1/CJ Ethernet (Communication Driver: SYSMAC CS1/CJ series(Ethernet))

**Bit Device**

Device Name	Device Type		Address Number Range	Read /Write	Address Numeral System
	Main unit	PLC			
Core I/O	CIO	CIO	0 to 614315	R/W	*1
Work Area	WR	WR	0 to 51115	R/W	*1
Holding Bit	HR	HR	0 to 51115	R/W	*1
Auxiliary Bit	AR	AR	0 to 95915	R	*1
Timer (Contact)	TIMC	TIMC	0 to 4095	R	
Counter (Contact)	CNTC	CNTC	0 to 4095	R	
Task Bit	TK	TK	0 to 31	R	

**Word Device**

Device Name	Device Type		Address Number Range	Read /Write	Address Numeral System
	Main unit	PLC			
Core I/O	WCIO	CIO	0 to 6143	R/W	
Work Area	WWR	WR	0 to 511	R/W	
Holding Bit	WHR	HR	0 to 511	R/W	
Auxiliary Bit	WAR	AR	0 to 959	R	
Timer (Present value)	TIMN	TIM	0 to 4095	R/W	
Counter (Present value)	CNTN	CNT	0 to 4095	R/W	
Data Memory	DM	DM	0 to 32767	R/W	
Expansion Data Memory (Bank 0)	EM0	EM0	0 to 32767	R/W	
Expansion Data Memory (Bank 1)	EM1	EM1	0 to 32767	R/W	
Expansion Data Memory (Bank 2)	EM2	EM2	0 to 32767	R/W	
Expansion Data Memory (Bank 3)	EM3	EM3	0 to 32767	R/W	
Expansion Data Memory (Bank 4)	EM4	EM4	0 to 32767	R/W	
Expansion Data Memory (Bank 5)	EM5	EM5	0 to 32767	R/W	
Expansion Data Memory (Bank 6)	EM6	EM6	0 to 32767	R/W	
Expansion Data Memory (Bank 7)	EM7	EM7	0 to 32767	R/W	
Expansion Data Memory (Bank 8)	EM8	EM8	0 to 32767	R/W	
Expansion Data Memory (Bank 9)	EM9	EM9	0 to 32767	R/W	
Expansion Data Memory (Bank A)	EMA	EMA	0 to 32767	R/W	
Expansion Data Memory (Bank B)	EMB	EMB	0 to 32767	R/W	
Expansion Data Memory (Bank C)	EMC	EMC	0 to 32767	R/W	
Expansion Data Memory (Bank D)	EMD	EMD	0 to 32767	R/W	
Expansion Data Memory (Bank E)	EME	EME	0 to 32767	R/W	
Expansion Data Memory (Bank F)	EMF	EMF	0 to 32767	R/W	
Expansion Data Memory (Bank 10)	EM10	EM10	0 to 32767	R/W	
Expansion Data Memory (Bank 11)	EM11	EM11	0 to 32767	R/W	
Expansion Data Memory (Bank 12)	EM12	EM12	0 to 32767	R/W	
Expansion Data Memory (Bank 13)	EM13	EM13	0 to 32767	R/W	
Expansion Data Memory (Bank 14)	EM14	EM14	0 to 32767	R/W	
Expansion Data Memory (Bank 15)	EM15	EM15	0 to 32767	R/W	

\*1 The last two digits indicate the bit number (0 to 15).

**Word Device**

Device Name	Device Type		Address Number Range	Read /Write	Address Numeral System
	Main unit	PLC			
Expansion Data Memory (Bank 16)	EM16	EM16	0 to 32767	R/W	
Expansion Data Memory (Bank 17)	EM17	EM17	0 to 32767	R/W	
Expansion Data Memory (Bank 18)	EM18	EM18	0 to 32767	R/W	
Task Area (Status)	TKS	TKS	0 to 31	R	
Index Register	IR	IR	0 to 151	R/W	
Data Register	DR	DR	0 to 15	R/W	



In SYSMAC CS1/CJ Ethernet, Index Register is defined as a 32bit device and all 32bits are available. This register is originally 32bit device in OMRON PLC, but only lower 16bits are available in SYSMAC CS1 series Communication Driver. This is different from SYSMAC CS1 series Communication Driver.



- The usable address number range of the Expansion Data Memory varies based on the CPU model. For details, refer to the manual for SYSMAC CS1 series.
- The Task Bit is 1 when the cycle execution task is in the executable state, and 0 when it is in the unexcited or standby states.
- The Task Area (Status) indicates the following states.
  - 0: Never started
  - 1: In the stopped state after starting once
  - 2: Starting



## 4 Shibaura Machine

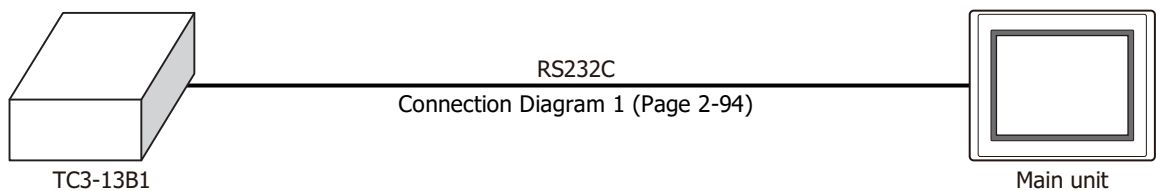
### 4.1 Connection Table

CPU Unit	Link Unit	WindO/I-NV4 Settings		
		Interface	Flow Control	Communication Driver
<b>TC200</b>				
TC3-13B1	Not required (Connects to CPU Unit)	RS232C Connection Diagram 1 (Page 2-94)	ER	TC200
<b>TCmini</b>				
TC12-01 TC12-02 TC03-01 TC03-02	Not required (Connects to CPU Unit)	RS232C Connection Diagram 2 (Page 2-94)	ER	TC200
		RS422/485 2-wire Connection Diagram 3 (Page 2-95)	None	

### 4.2 System Configuration

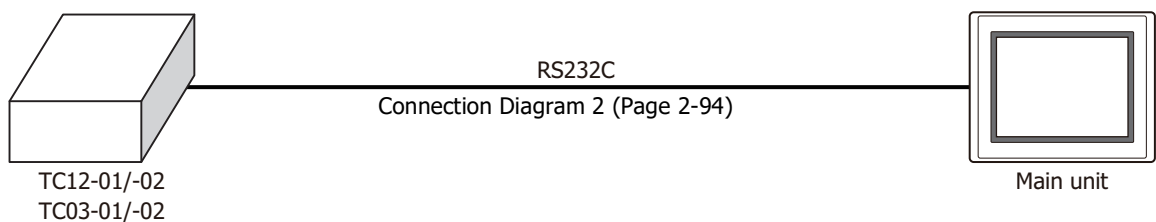
This is the system configuration for the connection of Shibaura Machine PLCs to the main unit.

- TC200 (Connects to Serial port)

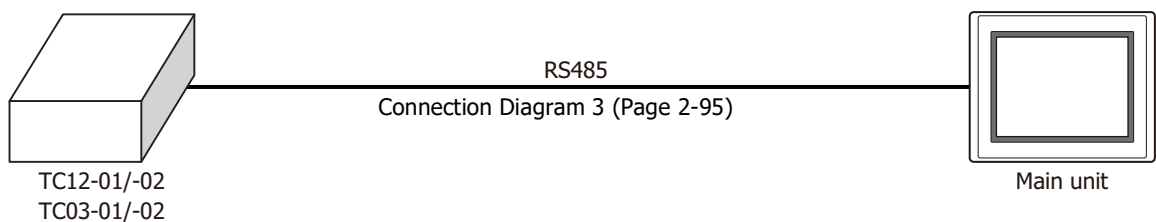


Connects to Serial port of CPU unit.

- TCmini (Connects to RS232C port)



- TCmini (Connects to RS-TCm485 port)

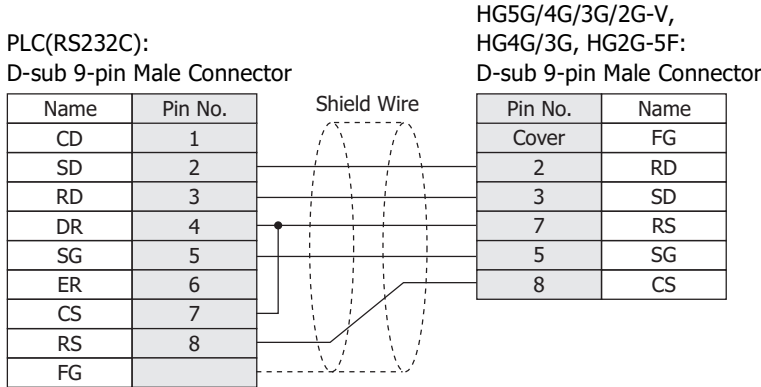
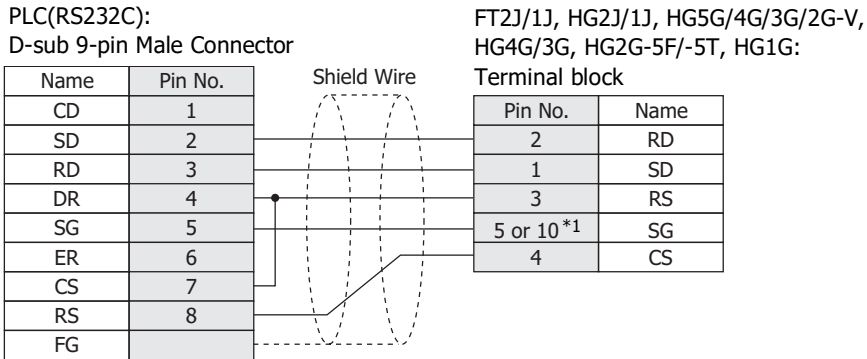


### 4.3 Connection Diagram

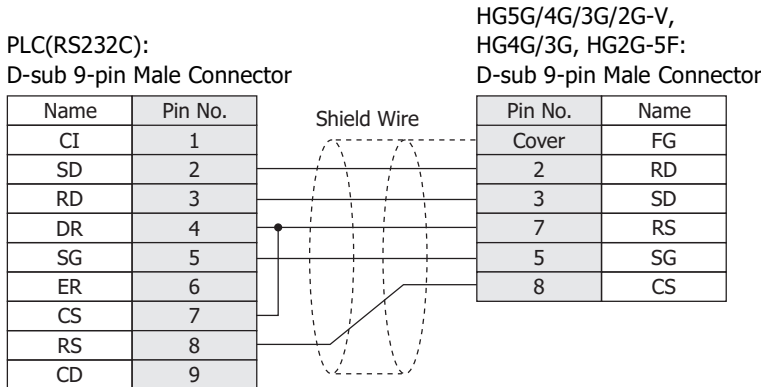
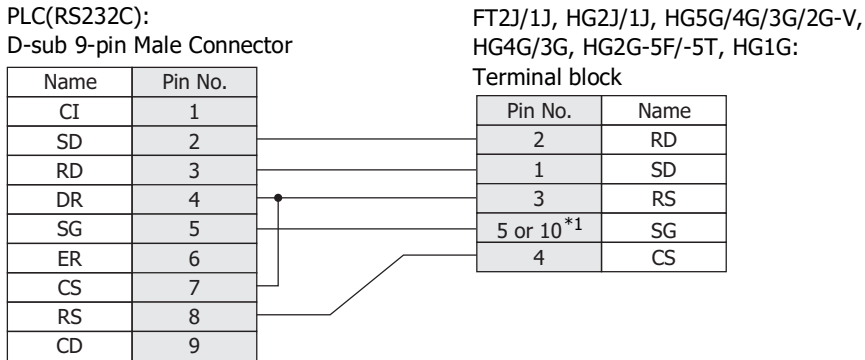


The connector types given in the Connection Diagrams are for the unit and not the cable. For details regarding wiring, refer to Chapter 1 "3 Important Points Regarding Wiring" on page 1-4.

● Connection Diagram 1: TC200 (RS232C)

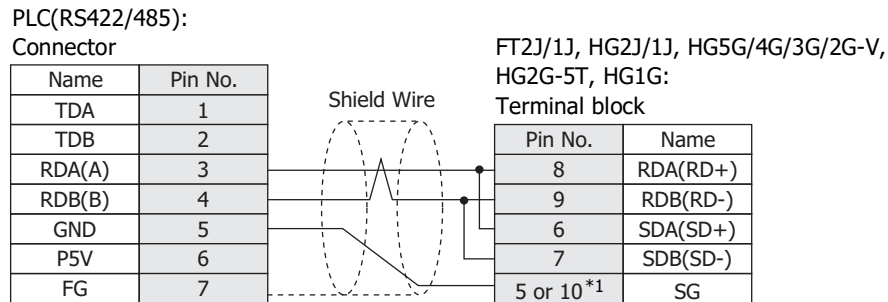


● Connection Diagram 2: TCmini (RS232C)



\*1 FT1J, HG1J only

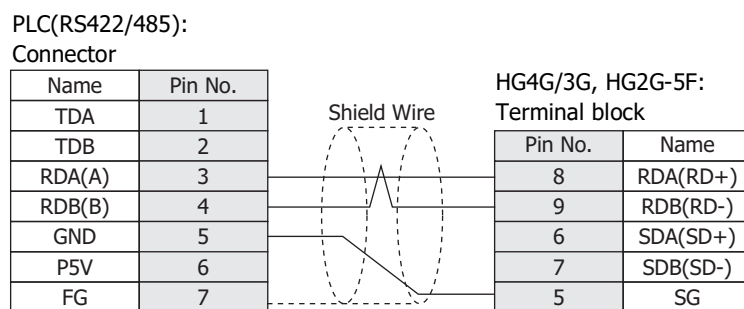
## ● Connection Diagram 3: TCmini (RS485)



Configure the **Flow Control** to **None**, because the terminal block of the FT2J/1J, HG2J/1J, HG5G/4G/3G/2G-V, HG2G-5T, HG1G doesn't have control lines.



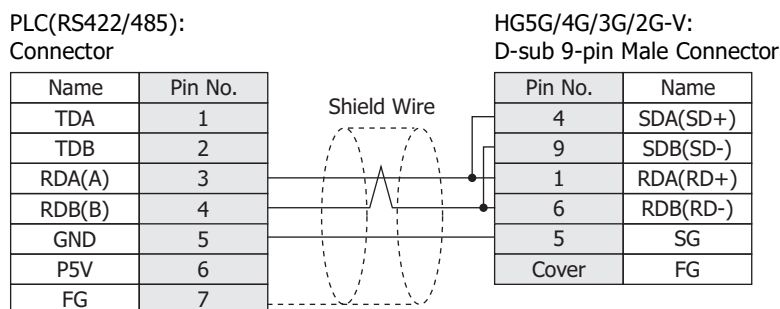
Insert a terminating resistor, if necessary. For the setting method, refer to Chapter 1 "3 Important Points Regarding Wiring" on page 1-4.



Configure the **Flow Control** to **None**, because the terminal block of the HG4G/3G, HG2G-5F doesn't have control lines.



Insert a terminating resistor, if necessary. For the setting method, refer to Chapter 1 "3 Important Points Regarding Wiring" on page 1-4.



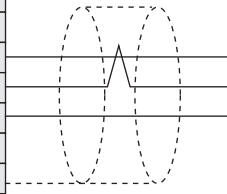
When connecting COM1 on the HG5G/4G/3G/2G-V to the external device, do not insert terminating resistor to the external device.

\*1 FT1J, HG1J only

PLC(RS422/485):  
Connector

Name	Pin No.
TDA	1
TDB	2
RDA(A)	3
RDB(B)	4
GND	5
P5V	6
FG	7

Shield Wire



HG4G/3G, HG2G-5F:  
D-sub 9-pin Male Connector

Pin No.	Name
4	SDA(SD+)
9	SDB(SD-)
1	RDA(RD+)
6	RDB(RD-)
5	SG
Cover	FG

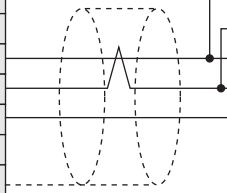


When connecting COM1 on the HG4G/3G, HG2G-5F to the external device, do not insert terminating resistor to the external device.

PLC(RS422/485):  
Connector

Name	Pin No.
TDA	1
TDB	2
RDA(A)	3
RDB(B)	4
GND	5
P5V	6
FG	7

Shield Wire



HG1P:  
D-sub 25-pin Male Connector

Pin No.	Name
5	SDA(SD+)
4	SDB(SD-)
3	RDA(RD+)
2	RDB(RD-)
6	SG
Cover	FG

## 4.4 Environment Settings

### ● TC200

Items	Details
Interface	RS232C
PC No.*1	0 to 63 (Set same as the main unit)
Baud Rate	9600 bps
Data Bits	8
Stop Bits	1 or 2
Parity	None, Odd or Even

## 4.5 Usable Device Addresses

### Bit Device

Device Name	Device Type		Address Number Range	Read /Write	Address Numeral System
	Main unit	PLC			
Input Relay	X	X	0 to F7F	R	
Output Relay	Y	Y	0 to F7F	R/W	
Internal Relay	R	R	0 to 77F	R/W	
Latch Relay	L	L	0 to 7F	R/W	
Exp.Int.Relay1	G	G	0 to F7F	R/W	
Exp.Int.Relay2	H	H	0 to F7F	R/W	
Spec. Aid Relay	A	A	0 to 16F	R/W	
Timer (Relay)	T	T	0 to 37F	R	
Counter (Relay)	C	C	0 to 37F	R	
Sift Register	S	S	0 to 7F	R/W	
Edge Relay	E	E	0 to 77F	R/W	

### Word Device

Device Name	Device Type		Address Number Range	Read /Write	Address Numeral System
	Main unit	PLC			
Input Relay	WX	X	0 -F7	R	
Output Relay	WY	Y	0 to F7	R/W	
Internal Relay	WR	R	0 to 77	R/W	
Latch Relay	WL	L	0 to 7	R/W	
Exp.Int.Relay1	WG	G	0 to F7	R/W	
Exp.Int.Relay2	WH	H	0 to F7	R/W	
Spec. Aid Relay	WA	A	0 to 16	R/W	
Tim/Cnt.(Current Value)	P	P	0 to 77F	R	
Tim/Cnt.(Preset Value)	V	V	0 to 77F	R/W	
General Register1	D	D	0 to F7F	R/W	
General Register2	B	B	0 to F7F	R/W	
Sift Register	WS	S	0 to 7	R/W	
Edge Relay	WE	E	0 to 77	R/W	
Timer Relay (Word)	WT	T	0 to T77	R	
Counter Relay (Word)	WC	C	0 to 77	R	

\*1 Set a decimal number for the PC No.

## 5 Allen-Bradley

### 5.1 Connection Table

CPU Unit	Link Unit	WindO/I-NV4 Settings			
		Interface	Flow Control	Communication Driver	
<b>PLC-5</b>					
All PLC-5 models that can be connected to 1770-KF2	1770-KF2	RS232C Connection Diagram 2 (Page 2-102)	None	PLC-5(Half Duplex)	
		RS422/485 4-wire Connection Diagram 3 (Page 2-103)			
All PLC-5 models	Not required (Connects to CPU Unit)	RS232C Connection Diagram 2 (Page 2-102)			
		RS422/485 4-wire Connection Diagram 4 (Page 2-104)			
<b>SLC 500</b>					
SLC5/03 SLC5/04 SLC5/05	Not required (Connects to CPU Unit)	RS232C Connection Diagram 1 (Page 2-102)	None	MicroLogix/ SLC 500 (Full Duplex)	SLC 500 (Half Duplex)
<b>MicroLogix</b>					
MicroLogix 1000 MicroLogix 1200	Not required (Connects to CPU Unit)	RS232C Connection Diagram 5 (Page 2-105)	None	MicroLogix/ SLC 500 (Full Duplex)	-
MicroLogix 1100	Not required (Connects to CPU Unit)	RS232C Connection Diagram 8 (Page 2-106)			
MicroLogix 1500	Not required (Connects to Mini DIN connector on CPU Unit)	RS232C Connection Diagram 5 (Page 2-105)			
	Not required (Connects to D-sub connector on CPU Unit)	RS232C Connection Diagram 6 (Page 2-105)			



If your existing project is using "SLC 500" with Ver.2.30 or earlier, "SLC 500(Half Duplex)" will appear to the Protocol setting with Ver.2.40 or later. SLC 500(Half Duplex) Communication Driver is merged into the MicroLogix/SLC 500(Full Duplex) Communication Driver.

WindO/I-NV4 still provides the SLC 500(Half Duplex) Communication Driver for the existing projects, but it's recommended to use the MicroLogix/SLC 500(Full Duplex) Communication Driver if you create a new project.

Some address format between MicroLogix/SLC 500(Full Duplex) and SLC 500(Half Duplex) are slight different.

CPU Unit	Link Unit	WindO/I-NV4 Settings		
		Interface	Flow Control	Communication Driver
<b>ControlLogix</b>				
ControlLogix 5550 ControlLogix 5555	Not required (Connects to CPU Unit)	RS232C Connection Diagram 7 (Page 2-106)	None	Logix DF1(Full Duplex)
<b>CompactLogix</b>				
1768 CompactLogix 1769 CompactLogix	Not required (Connects to CPU Unit)	RS232C Connection Diagram 7 (Page 2-106)	None	Logix DF1(Full Duplex)
<b>FlexLogix</b>				
1794-L33 1794-L34	Not required (Connects to CPU Unit)	RS232C Connection Diagram 7 (Page 2-106)	None	Logix DF1(Full Duplex)

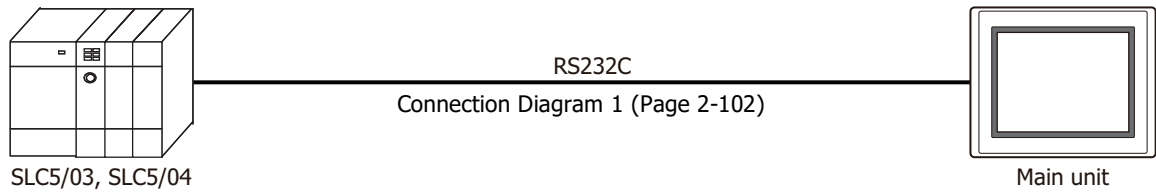
CPU Unit	Link Unit	WindO/I-NV4 Settings	
		Interface	Communication Driver
<b>ControlLogix</b>			
ControlLogix5550 ControlLogix5555	1756-ENBT 1756-EN2T	Ethernet	Logix Controllers(Ethernet)
<b>CompactLogix</b>			
1769 CompactLogix	Not required (Connects to CPU Unit)	Ethernet	Logix Controllers(Ethernet)
<b>PLC-5</b>			
PLC-5	1785-ENET	Ethernet	Logix Controllers(Ethernet)
PLC-5E	Not required (Connects to CPU Unit)		
<b>SLC 500</b>			
SLC5/05	Not required (Connects to CPU Unit)	Ethernet	Logix Controllers(Ethernet)
SLC5/03 SLC5/04 SLC5/05	1761-NET-ENI		
<b>MicroLogix</b>			
MicroLogix 1000 MicroLogix 1100 MicroLogix 1200 MicroLogix 1500	1761-NET-ENI	Ethernet	Logix Controllers(Ethernet)
MicroLogix 1100	Not required (Connects to Built-in Ethernet port on CPU Unit) <sup>*1</sup>		
<b>ControlLogix</b>			
ControlLogix5550 ControlLogix5555	1756-ENBT 1756-EN2T	Ethernet	Logix Native Tag(Ethernet)
<b>CompactLogix</b>			
1769 CompactLogix	Not required (Connects to CPU Unit)	Ethernet	Logix Native Tag(Ethernet)

\*1 To connect the Ethernet port on MicroLogix 1100, check the firmware version. The main unit supports version 4 or later. (The latest firmware is on the Allen-Bradley web site.)

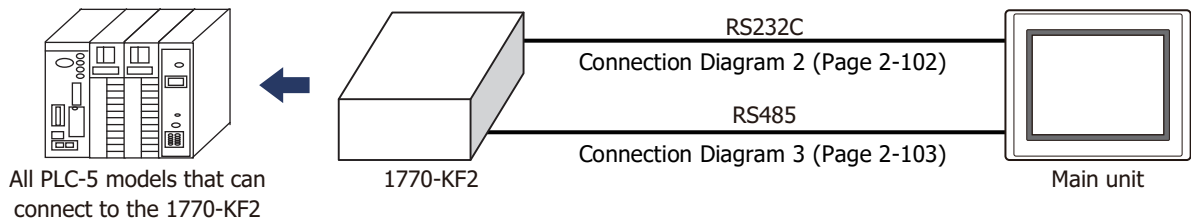
## 5.2 System Configuration

This is the system configuration for the connection of Allen-Bradley PLCs to the main unit.

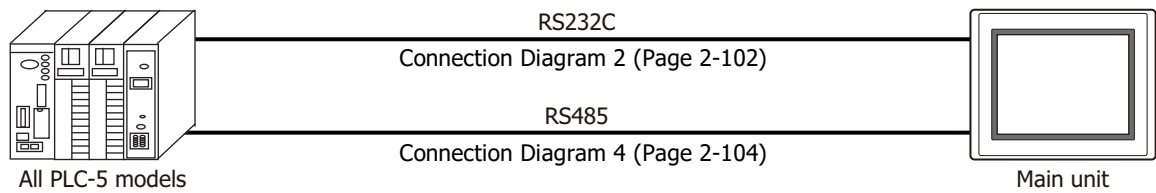
- SLC 500 (Connects to CPU Channel 0 Serial Port)



- PLC-5 (Connects to Interface Module)

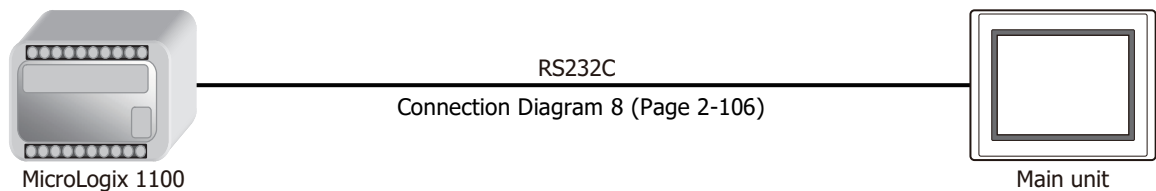
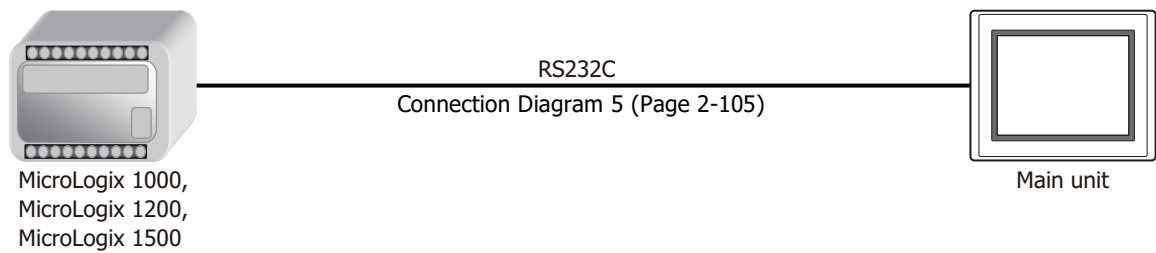


- PLC-5 (Connects to CPU Unit)



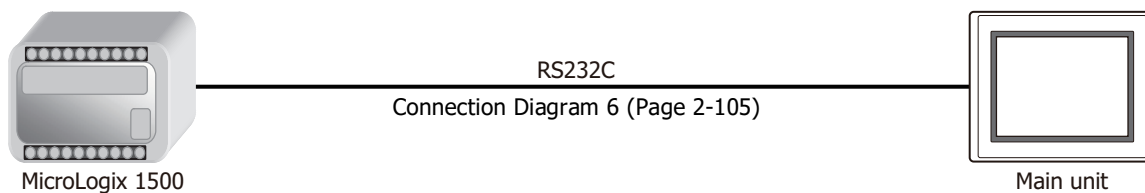
Connect to the CPU Channel 0 serial port.

- MicroLogix 1000/1100/1200/1500 (Connects to Mini DIN Connector on CPU Unit)

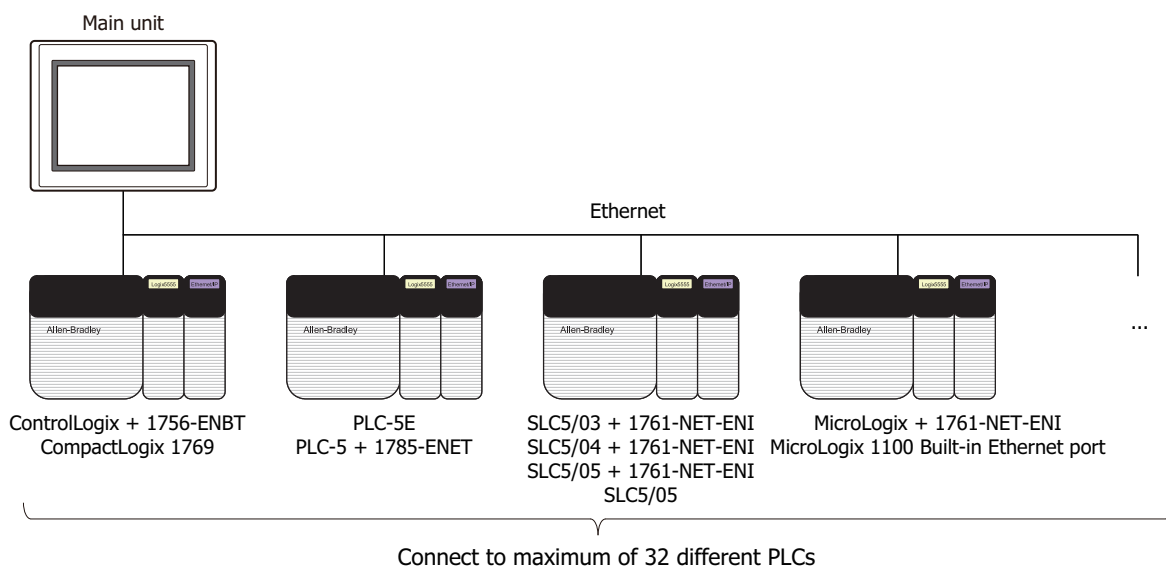




● MicroLogix 1500 (Connects to D-sub 9-pin Connector on CPU Unit)

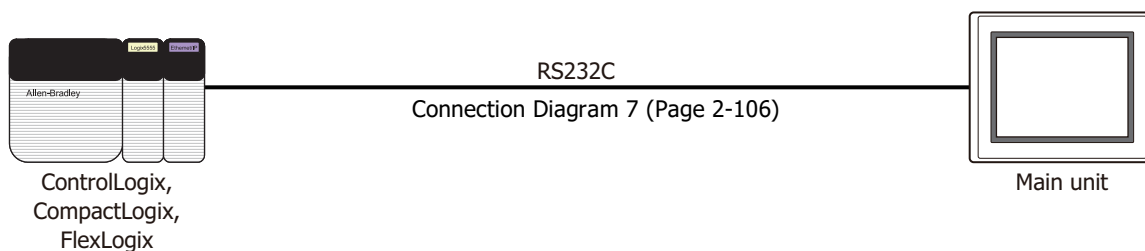


● Logix Controllers(Ethernet)

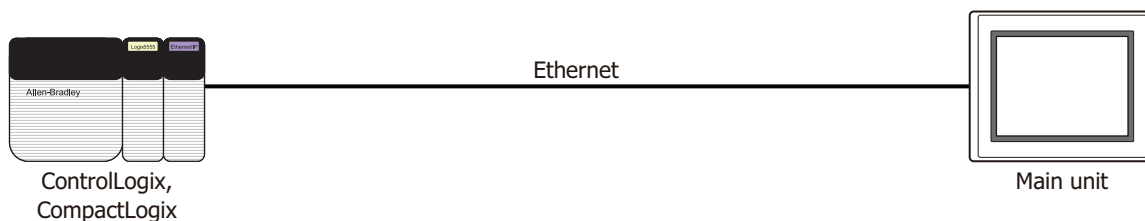


- Use a crossover cable to connect the main unit and PLC directly.
- When using a hub (Ethernet switch), use a cable that can be used with the hub.

● Control Logix, CompactLogix, FlexLogix (CPU Unit)



● Logix Native Tag(Ethernet)



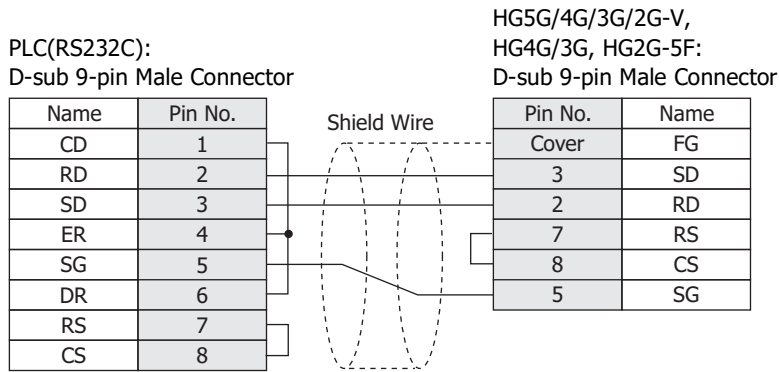
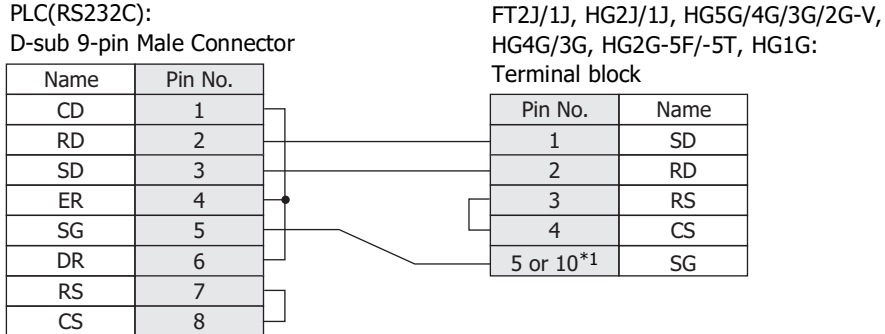
- Use a crossover cable to connect the main unit and PLC directly.
- When using a hub (Ethernet switch), use a cable that can be used with the hub.

### 5.3 Connection Diagram

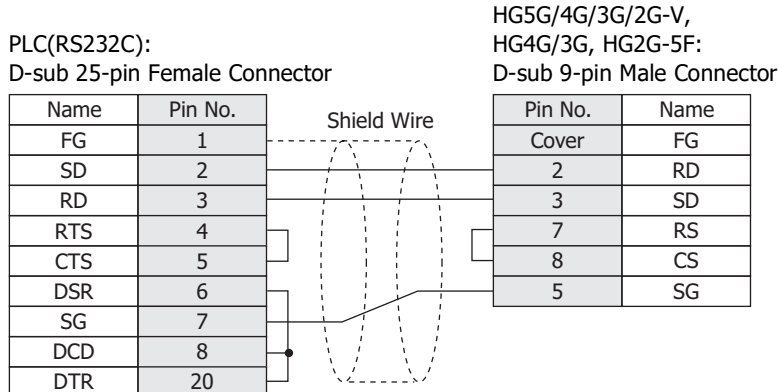
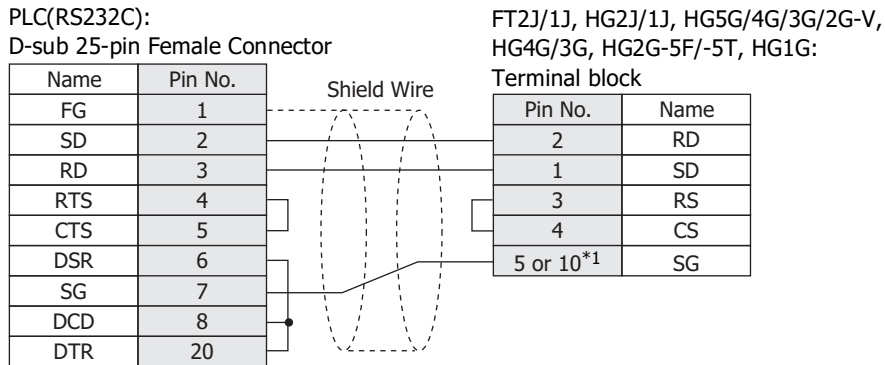


The connector types given in the Connection Diagrams are for the unit and not the cable. For details regarding wiring, refer to Chapter 1 "3 Important Points Regarding Wiring" on page 1-4.

● Connection Diagram 1: SLC 500 (RS232C)



● Connection Diagram 2: Interface Module, PLC-5 (RS232C)



\*1 FT1J, HG1J only

## ● Connection Diagram 3: Interface Module (RS422)

PLC(RS422/485):  
D-sub 25-pin Female Connector

Name	Pin No.
FG	1
SDA	14
SDB	25
RDA	16
RDB	18
SG	
	4
	5
	6
	8
	20

FT2J/1J, HG2J/1J, HG5G/4G/3G/2G-V,  
HG4G/3G, HG2G-5F/-5T, HG1G:  
Terminal block

Pin No.	Name
5 or 10*1	SG
8	RDA(RD+)
9	RDB(RD-)
6	SDA(SD+)
7	SDB(SD-)



Insert a terminating resistor, if necessary. For the setting method, refer to Chapter 1 "3 Important Points Regarding Wiring" on page 1-4.

PLC(RS422/485):  
D-sub 25-pin Female Connector

Name	Pin No.
FG	1
SDA	14
SDB	25
RDA	16
RDB	18
SG	
	4
	5
	6
	8
	20

HG5G/4G/3G/2G-V,  
HG4G/3G, HG2G-5F:  
D-sub 9-pin Male Connector

Pin No.	Name
Cover	FG
1	RDA(RD+)
6	RDB(RD-)
4	SDA(SD+)
9	SDB(SD-)
5	SG

PLC(RS422/485):  
D-sub 25-pin Female Connector

Name	Pin No.
FG	1
SDA	14
SDB	25
RDA	16
RDB	18
SG	
	4
	5
	6
	8
	20

HG1P:  
D-sub 25-pin Male Connector

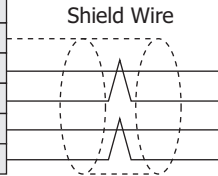
Pin No.	Name
Cover	FG
3	RDA(RD+)
2	RDB(RD-)
5	SDA(SD+)
4	SDB(SD-)
6	SG

\*1 FT1J, HG1J only

● Connection Diagram 4: PLC-5 (RS422)

PLC(RS422/485):  
D-sub 25-pin Female Connector

Name	Pin No.
FG	1
SDB	14
SDA	2
RDB	16
RDA	3



FT2J/1J, HG2J/1J, HG5G/4G/3G/2G-V,  
HG4G/3G, HG2G-5F/-5T, HG1G:  
Terminal block

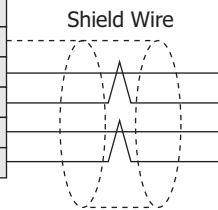
Pin No.	Name
5 or 10 <sup>*1</sup>	SG
8	RDA(RD+)
9	RDB(RD-)
6	SDA(SD+)
7	SDB(SD-)



Insert a terminating resistor, if necessary. For the setting method, refer to Chapter 1 "3 Important Points Regarding Wiring" on page 1-4.

PLC(RS422/485):  
D-sub 25-pin Female Connector

Name	Pin No.
FG	1
SDB	14
SDA	2
RDB	16
RDA	3

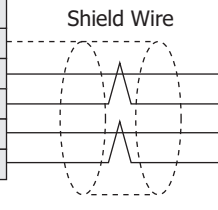


HG5G/4G/3G/2G-V,  
HG4G/3G, HG2G-5F:  
D-sub 9-pin Male Connector

Pin No.	Name
Cover	FG
1	RDA(RD+)
6	RDB(RD-)
4	SDA(SD+)
9	SDB(SD-)
5	SG

PLC(RS422/485):  
D-sub 25-pin Female Connector

Name	Pin No.
FG	1
SDB	14
SDA	2
RDB	16
RDA	3

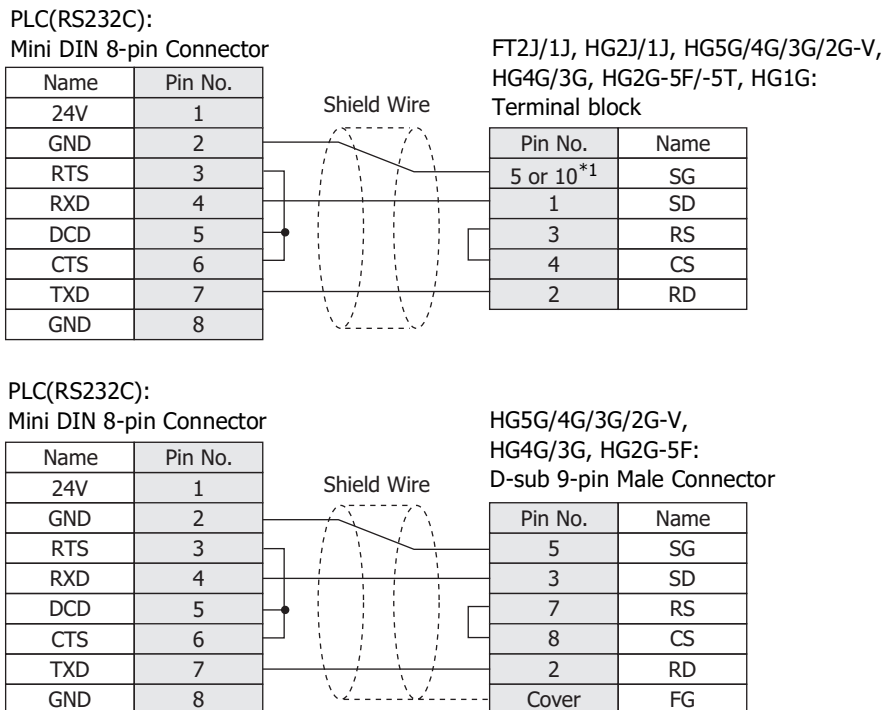


HG1P:  
D-sub 25-pin Male Connector

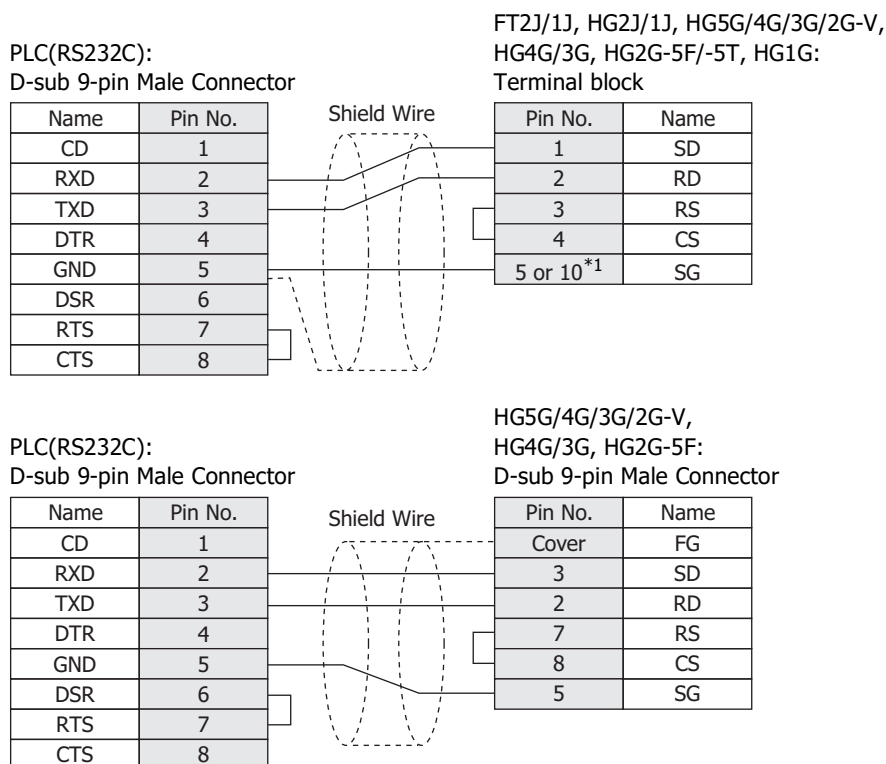
Pin No.	Name
Cover	FG
3	RDA(RD+)
2	RDB(RD-)
5	SDA(SD+)
4	SDB(SD-)
6	SG

\*1 FT1J, HG1J only

● Connection Diagram 5: MicroLogix 1000/1200/1500 (Mini DIN Connector)

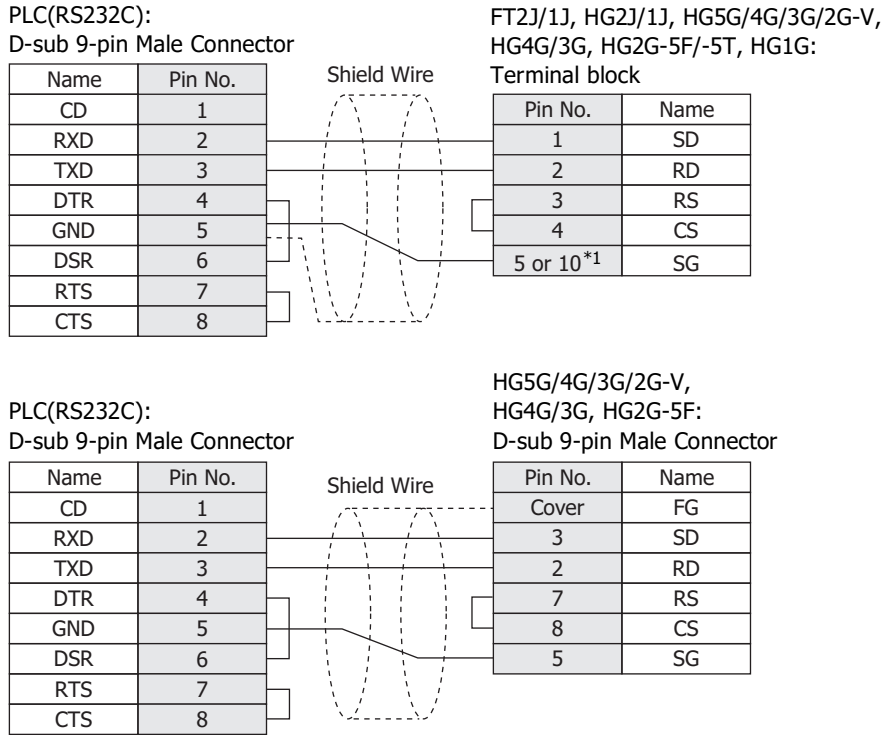


● Connection Diagram 6: MicroLogix 1500 (D-sub 9-pin Connector)

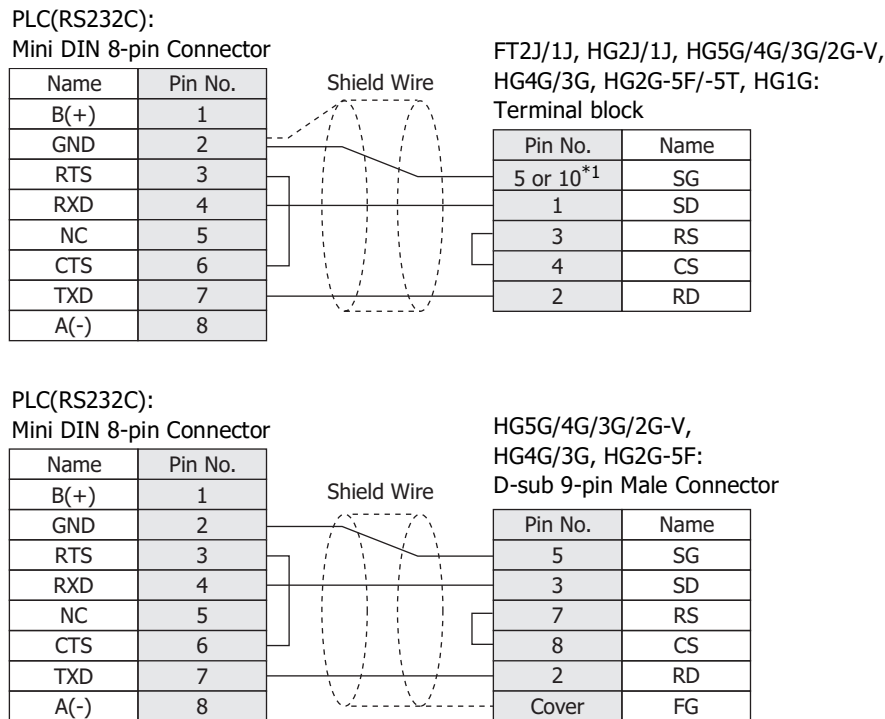


\*1 FT1J, HG1J only

● Connection Diagram 7: ControlLogix, CompactLogix, FlexLogix



● Connection Diagram 8: MicroLogix 1100 (Mini DIN Connector)



\*1 FT1J, HG1J only

## 5.4 Environment Settings

### ● MicroLogix, SLC 500 (Full Duplex)

Item	Setting
Baud Rate <sup>*1*2</sup>	38400, 19200, 9600, 4800, 2400 or 1200 bps
Data Bits <sup>*2</sup>	8
Stop Bits <sup>*1*2</sup>	1
Parity <sup>*1*2</sup>	None or Even
Flow Control	None
Serial Interface	RS232C
Driver <sup>*1</sup>	DF1 Full-Duplex <sup>*3</sup>
Control Line <sup>*1</sup>	No Handshaking <sup>*3</sup>
Error Detection <sup>*1</sup>	CRC <sup>*3</sup>
Embedded Response <sup>*1</sup>	Auto Detect
Duplicate Packet Detect <sup>*1</sup>	Enable
Node Address <sup>*1*2*4</sup>	0 to 254 (Decimal)

### ● SLC 500 (Half Duplex)

Item	Setting
Interface	RS232C
Baud Rate <sup>*1*2</sup>	19200, 9600, 4800, 2400 or 1200 bps
Data Bits <sup>*2</sup>	8
Stop Bits <sup>*1*2</sup>	1
Parity <sup>*1*2</sup>	None or Even
Driver <sup>*1</sup>	DF1 Half-Duplex Slave <sup>*3</sup>
Duplicate Detect <sup>*1</sup>	Disabled <sup>*3</sup>
Error Detect <sup>*1</sup>	BCC <sup>*3</sup>
Control Line <sup>*1</sup>	No Handshaking <sup>*3</sup>
Node Address <sup>*1*2*4</sup>	0 to 254 (Decimal)

\*1 Select using the Allen-Bradley software (set Chan0 to System of Controller-Channel Configuration).

\*2 The setting for this item must match the setting on the main unit.

\*3 Be certain to select as indicated.

\*4 Set the Node Address settings of the main unit in the Communication Driver tab on the Project Settings dialog box in WindO/I-NV4.

## ● PLC-5

Item	Setting
Interface <sup>*1*2</sup>	RS232C or RS485 4-wire
Baud Rate <sup>*3*4</sup>	19200, 9600, 4800, 2400 or 1200 bps
Data Bits <sup>*3*4</sup>	8
Stop Bits <sup>*3*4</sup>	1
Parity <sup>*3*4</sup>	None or Even
Communication Protocol <sup>*3</sup>	Half duplex <sup>*5</sup>
Channel 0 Protocol <sup>*3</sup>	DF1 Slave <sup>*5</sup>
Duplicate Detect <sup>*3</sup>	OFF <sup>*5</sup>
Error Detect <sup>*3</sup>	BCC <sup>*5</sup>
Control Line <sup>*3</sup>	No Handshaking <sup>*5</sup>
Network Link <sup>*1</sup>	Data highway plus
PLC-5 Processor Station Address <sup>*4*6</sup>	00 to 77 (Octal)
1770-KF2 Node Number <sup>*1*4*7</sup>	00 to 77 (Octal)



#### Setting the Station Address using WindO/I-NV4

When using the 1770-KF2 Module, select **Use 1770-KF2** on the Communication Driver tab in the Project Settings dialog box, and set **Station Address (1770-KF2)** and **Station Address (PLC5)**.

In case of direct connection to PLC5 Processor Module, clear **Use 1770-KF2**. Instead select "Station Address (1770-KF2)". These numbers are to be set using octal for the PLC-5 and 1770-KF2, but hexadecimal for the WindO/I-NV4.

\*1 When using the 1770-KF2 Module, select this setting using the 1770-KF2 Module DIP switch.

\*2 In the case of a direct connection to the PLC-5 Processor Module, select this setting using the PLC-5 Processor Module DIP switch.

\*3 When using the 1770-KF2 Module, select this setting using the DIP switch on 1770-KF2 Module. In case of a direct connection to the PLC-5 Processor Module, select using the 6200 Programming Software (Channel 0 configuration).

\*4 The setting for this item must match the setting on the main unit.

\*5 Be certain to select as indicated.

\*6 This setting is required regardless of whether 1770-KF2 Module is used or not. When using the 1770-KF2 Module, select this setting using the DIP switch on PLC-5 Processor, and in the case of a direct connection to the PLC-5 Processor Module, select using the 6200 Programming Software (Channel 0 configuration).

\*7 This option is only necessary if you use Interface Module.



### ● Logix Controllers(Ethernet)

Set the following items on the Project Settings dialog box in WindO/I-NV4.

Tab Name	Item	Setting
Communication Interface	Interface	Ethernet
	IP Address	Set the IP address of the main unit.
	Subnet Mask	Set the subnet mask of the main unit.
	Default Gateway	Set the default gateway of the main unit.
Communication Driver Network	IP Address	Set the IP address of communicated PLC.
	Port Number	Set the port number of communicated PLC.
	Product	Set the product of communicated PLC. (For ControlLogix or CompactLogix, select <b>Logix</b> .)
	Slot Number	Set the CPU slot number of communicated PLC.

### ● ControlLogix, CompactLogix, FlexLogix

Item	Setting
Baud Rate *1	38400, 19200, 9600, 4800, 2400 or 1200 bps
Data Bits *1	8
Stop Bits *1	1
Parity *1	None or Even
Flow Control	None
Serial Interface	RS232C
Protocol	DF1 Point to Point *2
Control Line	No Handshaking *2
Error Detection	BCC or CRC
Embedded Response	Auto Detect
Duplicate Packet Detect	Enable
Station Address *1 *3	0 to 254 (Decimal)

### ● Logix Native Tag(Ethernet)

Set the following items on the Project Settings dialog box in WindO/I-NV4.

Tab Name	Item	Setting
Communication Interface	Interface	Ethernet
	IP Address	Set the IP address of the main unit.
	Subnet Mask	Set the subnet mask of the main unit.
	Default Gateway	Set the default gateway of the main unit.
Communication Driver Network	IP Address	Set the IP address of communicated PLC.
	Port Number	Set the port number of communicated PLC.
	Slot Number	Set the CPU slot number of communicated PLC.
	Tag File	Set the tag database file.

\*1 The setting for this item must match the setting on the main unit .

\*2 Be certain to select as indicated.

\*3 Set the node address of the main unit (Station Address) as the **Node Address (Operator Interface)** in the **Communication Driver** tab on the **Project Settings** dialog box in WindO/I-NV4. Set the Station Address of the target PLC as the **Slave Number** in the **Communication Driver Network** tab.

## 5.5 Usable Device Addresses

The main unit supports the following device types and range.

WindO/I-NV4 supports the device address format as same as MicroLogix, SLC 500, PLC-5 programming software along with the standard device address format of WindO/I-NV4.

### ■ Allen-Bradley device address format

This device address format is same as the device address format of Allen-Bradley's software.

(Some part of the format is deferent. Refer to the Expression of Device Address Format of each model.)

### ■ WindO/I-NV4 device address format

File Number, Element and Bit Number are separated by some delimiters in device address format of Allen-Bradley's software. However, WindO/I-NV4 device address format does not contain delimiters. It is remove some delimiters from Allen-Bradley's device address format.

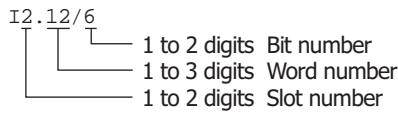
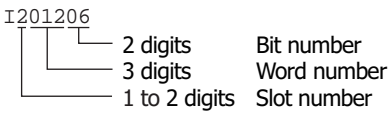
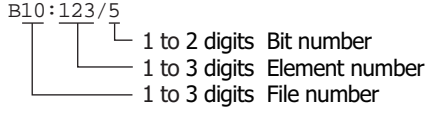
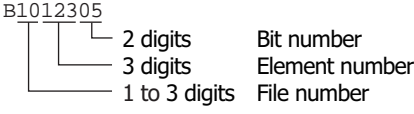
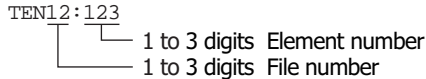

## ● MicroLogix, SLC 500 (Full Duplex)

### Bit Device

Device Name	Device Type		Address Number Range		Read/Write	Address Numeral System
	Main unit	PLC	Range	Format		
Output	O	O	0 to 1625515	1	R	Decimal
Input	I	I	0 to 1625515	1	1	Decimal
Binary	B	B	300000 to 325515, 900000 to 25525515	2	R/W	Decimal
Timer Enable Bit	TEN	T(EN)	4000 to 4255, 9000 to 255255	3	R	Decimal
Timer Timing Bit	TTT	T(TT)	4000 to 4255, 9000 to 255255	3	R	Decimal
Timer Done Bit	TDN	T(DN)	4000 to 4255, 9000 to 255255	3	R	Decimal
Counter Up Enable Bit	CCU	C(CU)	5000 to 5255, 9000 to 255255	3	R	Decimal
Counter Down Enable Bit	CCD	C(CD)	5000 to 5255, 9000 to 255255	3	R	Decimal
Counter Done Bit	CDN	C(DN)	5000 to 5255, 9000 to 255255	3	R	Decimal
Counter Overflow Bit	COV	C(OV)	5000 to 5255, 9000 to 255255	3	R	Decimal
Counter Underflow Bit	CUN	C(UN)	5000 to 5255, 9000 to 255255	3	R	Decimal
Counter Update Accumulator	CUA	C(UA)	5000 to 5255, 9000 to 255255	3	R	Decimal
Control Enable Bit	REN	R(EN)	6000 to 6255, 9000 to 255255	3	R	Decimal
Control Queue Bit	REU	R(EU)	6000 to 6255, 9000 to 255255	3	R	Decimal
Control Asynchronous Bit Done Bit	RDN	R(DN)	6000 to 6255, 9000 to 255255	3	R	Decimal
Control Synchronous Done Bit	REM	R(EM)	6000 to 6255, 9000 to 255255	3	R	Decimal
Control Error Bit	RER	E(ER)	6000 to 6255, 9000 to 255255	3	R	Decimal
Control Unload Bit	RUL	R(UL)	6000 to 6255, 9000 to 255255	3	R	Decimal
Control Running Bit	RIN	R(IN)	6000 to 6255, 9000 to 255255	3	R	Decimal
Control Found Bit	RFD	R(FD)	6000 to 6255, 9000 to 255255	3	R	Decimal

For details about the address notation, refer to "Expression of Device Address Format" on page 2-111.

Expression of Device Address Format

Format	Allen-Bradley	WindO/I-NV4	MicroLogix 1200 programming software
1			I:2.12/6
2			B10:123/5
3			TEN12:123



A communication error occurs if you specify a file or element that is not allocated to the MicroLogix 1200 or SLC 500 data table map.

**Word Device**

Device Name	Device Type		Address Number Range		Read/Write	Address Numeral System
	Main unit	PLC	Range	Format		
Output	WO	O	0 to 16255	1	R	Decimal
Input	WI	I	0 to 16255	1	R	Decimal
Status	S	S	2000 to 2065	2	R	Decimal
Bit	WB	B	3000 to 3255, 9000 to 255255	2	R/W	Decimal
Timer (Preset Value)	TP	T(P)	4000 to 4255, 9000 to 255255	2	R/W	Decimal
Timer (Accumulated Value)	TA	T(A)	4000 to 4255, 9000 to 255255	2	R/W	Decimal
Counter (Preset Value)	CP	C(P)	5000 to 5255, 9000 to 255255	2	R/W	Decimal
Counter (Accumulated Value)	CA	C(A)	5000 to 5255, 9000 to 255255	2	R/W	Decimal
Control (Number of characters specified to be sent or received)	RLEN	R(LEN)	6000 to 6255, 9000 to 255255	2	R/W	Decimal
Control (Number of characters actually sent or received)	RPOS	R(POS)	6000 to 6255, 9000 to 255255	2	R/W	Decimal
Integer	N	N	7000 to 7255, 9000 to 255255	2	R/W	Decimal
Float Point	F	F	80000 to 82551, 90000 to 2552551	3	R/W	Decimal
Long Word	L	L	90000 to 2552551	3	R/W	Decimal
ASCII	A	A	9000 to 255255	2	R/W	Decimal
String LEN	STL	ST	9000 to 255255	2	R	Decimal
String DATA	ST	ST	900000 to 25525540	4	R/W	Decimal

For details about the address notation, refer to "Expression of Device Address Format" on page 2-112.

Expression of Device Address Format

Format	Allen-Bradley	WindO/I-NV4	MicroLogix 1200 programming software
1	WI12.10 1 to 3 digits Word number 1 to 2 digits Slot number	WI12010 3 digits Word number 1 to 2 digits Slot number	I:12.10
2	WB123:255 1 to 3 digits Element number 1 to 3 digits File number	WB123255 3 digits Element number 1 to 3 digits File number	B123:255
3	F123:255_0, F123:255_1 1 digit 0: Lower Word 1 digit 1: Upper Word 1 to 3 digits Element number 1 to 3 digits File number	F1232550, F1232551 1 digit 0: Lower Word 1 digit 1: Upper Word 3 digits Element number 1 to 3 digits File number	F123:255
WindO/I-NV4 uses 32 bit device as the divided 2 word device. Therefore, the last one digit shows that the device is upper word or lower word.			
4	ST123:255/40 1 to 2 digits DATA number 1 to 3 digits Element number 1 to 3 digits File number	ST12325540 2 digits DATA number 3 digits Element number 1 to 3 digits File number	ST123:255.DATA[40]



- Floating Point(F) and Long Word(L) are 32-bit devices. When you write to these devices, please be sure to write a high word and low word simultaneously. If you write only high word or only low word, 0 will be written into the other word.
- String LEN stores the number of characters written when a string is written from the String DATA start address (DATA[0]) of each element. If the address to write is not from the start, the value of String LEN is not updated.
- A communication error occurs if you specify a file or element that is not allocated to the MicroLogix1200 or SLC 500 data table map.



WO, WI, WB is same devices as O, I, B. They are used as word devices.

● SLC 500 (Half Duplex)

**Bit Device**

Device Name	Device Type		Address Number Range		Read /Write	Address Numeral System
	Main unit	PLC	Range	Format		
Timer (Done)	TDN	T	4000 to 4255, 10000 to 255255	1	R	Decimal
Timer (Timing)	TT	T	4000 to 4255,10000 to 255255	1	R	Decimal
Timer (Enable)	EN	T	4000 to 4255, 10000 to 255255	1	R	Decimal
Counter (Done)	CDN	C	5000 to 5255, 10000 to 255255	1	R	Decimal
Counter (Up Enable)	CU	C	5000 to 5255, 10000 to 255255	1	R	Decimal
Counter (Down Enable)	CD	C	5000 to 5255, 10000 to 255255	1	R	Decimal
Counter (Overflow)	OV	C	5000 to 5255, 10000 to 255255	1	R	Decimal
Counter (Underflow)	UN	C	5000 to 5255, 10000 to 255255	1	R	Decimal
Counter (High-speed Counter Update)	UA	C	5000 to 5255, 10000 to 255255	1	R	Decimal

For details about the address notation, refer to "Expression of Device Address Format".

Expression of Device Address Format



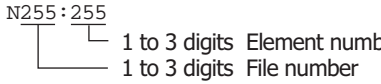

Format	Allen-Bradley	WindO/I-NV4	SLC 500 programming software
1			TDN4:12

**Word Device**

Device Name	Device Type		Address Number Range		Read /Write	Address Numeral System
	Main unit	PLC	Range	Format		
Input	WI	I	0 to 301	1	R	Decimal
Output	WO	O	0 to 301	1	R	Decimal
Bit	WB	B	3000 to 3255, 10000 to 255255	2	R/W	Decimal
Timer (Accumulated Value)	TA	T	4000 to 4255, 10000 to 255255	2	R	Decimal
Counter (Accumulated Value)	CA	C	5000 to 5255, 10000 to 255255	2	R	Decimal
Timer (Preset Value)	TP	T	4000 to 4255, 10000 to 255255	2	R/W	Decimal
Counter (Preset Value)	CP	C	5000 to 5255, 10000 to 255255	2	R/W	Decimal
Integer* <sup>1</sup>	N	N	7000 to 7255, 10000 to 255255	2	R/W	Decimal
ASCII	A	A	10000 to 255255	2	R/W	Decimal

For details about the address notation, refer to "Expression of Device Address Format".

Expression of Device Address Format

Format	Allen-Bradley	WindO/I-NV4	SLC 500 programming software
1	 1 digit Word number 1 to 2 digits Slot number	 1 digit Word number 1 to 2 digits Slot number	I30.1
2	 1 to 3 digits Element number 1 to 3 digits File number	 3 digits Element number 1 to 3 digits File number	N255:255



- You cannot directly write to inputs and outputs.
- A communication error occurs if you specify a file or element that is not allocated to the SLC 500 data table map.



The input and output addresses are made up of the slot number and the word number.

- The address makeup is as follows:
    - Bottom digit: Word number
    - 2nd and 3rd digits from the bottom: Slot number
  - If the module in the slot has 16 or fewer points, the word number is 0, and if it is a 32-point module, the word number is 0 for the lower word (bit 0 to bit 15) and 1 for the upper word (bit 16 to bit 31).
  - In the case of a rack-type controller, the slot number is attributed as is, and in the case of a package-type controller, it is as follows.
    - Package-type controller: 0
    - Left slot of the expansion rack: 1
    - Right slot of the expansion rack: 2
- Example: Address specification with SLC 500: I: 1.0  
 Address specification with WindO/I-NV4: I10

\*1 Allocate the System Area above the file number 7 integer file. It will not operate with file number 10 and above. You must construct an area above the SLC 500 data table file that corresponds to the System Area Address set by WindO/I-NV4.

● PLC-5 (Half Duplex)

**Bit Device**

Device Name	Device Type		Address Number Range		Read /Write	Address Numeral System
	Main unit	PLC	Range	Format		
Input	I	I	0 to 27717	1	R/W	Octal
Output	O	O	0 to 27717	1	R/W	Octal
Bit	B	B	300000 to 9999915	2	R	Decimal
Timer (Complete)	TDN	T	3000 to 99999	3	R	Decimal
Timer (Timing)	TT	T	3000 to 99999	3	R	Decimal
Timer (Enable)	EN	T	3000 to 99999	3	R	Decimal
Counter (Complete)	CDN	C	3000 to 99999	3	R	Decimal
Counter (Up Enable)	CU	C	3000 to 99999	3	R	Decimal
Counter (Down Enable)	CD	C	3000 to 99999	3	R	Decimal
Counter (Overflow)	OV	C	3000 to 99999	3	R	Decimal
Counter (Underflow)	UN	C	3000 to 99999	3	R	Decimal

For details about the address notation, refer to "Expression of Device Address Format".

Expression of Device Address Format



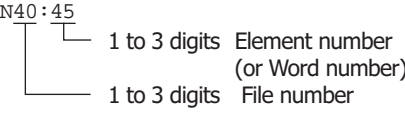
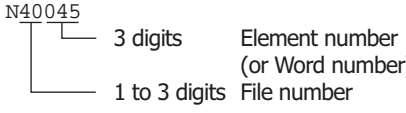
Format	Allen-Bradley	WindO/I-NV4	PLC-5 programming software
1			I:277/17
2			B3:12/15
<p>With the PLC-5, addresses can be specified with word and bit units, or with bit units only (i.e. there are two ways), while with WindO/I-NV4 you must specify addresses using word and bit units.</p>			
3			TDN4:12

**Word Device**

Device Name	Device Type		Address Number Range		Read /Write	Address Numeral System
	Main unit	PLC	Range	Format		
Input	WI	I	0 to 277	1	R	Octal
Output	WO	O	0 to 277	1	R/W	Octal
Bit	WB	B	3000 to 99999	2	R/W	Decimal
Timer (Current Value)	TA	T	3000 to 99999	2	R	Decimal
Counter (Current Value)	CA	C	3000 to 99999	2	R	Decimal
Timer (Preset Value)	TP	T	3000 to 99999	2	R/W	Decimal
Counter (Preset Value)	CP	C	3000 to 99999	2	R/W	Decimal
Integer	N	N	3000 to 99999	2, 3	R/W	Decimal
BCD	D	D	3000 to 99999	2	R/W	Decimal
ASCII	A	A	3000 to 99999	2	R/W	Decimal

For details about the address notation, refer to "Expression of Device Address Format".

Expression of Device Address Format

Format	Allen-Bradley	WindO/I-NV4	PLC-5 programming software
1	 1 digit Group number 1 to 2 digits Rack number	 1 digit Group number 1 to 2 digits Rack number	I:277
2	 1 to 3 digits Element number (or Word number) 1 to 3 digits File number	 3 digits Element number (or Word number) 1 to 3 digits File number	N40:45
3	System Area should assigned using a file number 9 or less. It does not work with file number 10 or more. Construct an area in the PLC-5 data table file that corresponds to the System Area Address selected by WindO/I-NV4.		



## ● Logix Controllers(Ethernet)

If you select Logix Controllers(Ethernet) as Communication Driver, the driver contains some PLCs devices. Therefore, the following devices name may be not same as devices name for each PLC. For details regarding wiring, refer to "Cross reference table of devices name" on page 2-120.

### Bit Device

Device Name	Device Type		Address Number Range		Read/Write	Address Numeral System
	Main unit	PLC	Range	Format		
SLC/MicroLogix Input	SI	I	0 to 1625515	1	R	Decimal
SLC/MicroLogix Output	SO	O	0 to 1625515	1	R	Decimal
PLC-5 Input	PI	I	0 to 27717	2	R	Decimal
PLC-5 Output	PO	O	0 to 27717	2	R/W	Decimal
Binary	B	B	0 to 99999915	3	R/W	Decimal
Timer Enable bit	TEN	TEN	0 to 999999	4	R	Decimal
Timer Timing Bit	TTT	TTT	0 to 999999	4	R	Decimal
Timer Done Bit	TDN	TDN	0 to 999999	4	R	Decimal
Counter Up Enable Bit	CCU	CCU	0 to 999999	4	R	Decimal
Counter Down Enable Bit	CCD	CCD	0 to 999999	4	R	Decimal
Counter Done Bit	CDN	CDN	0 to 999999	4	R	Decimal
Counter Overflow Bit	COV	COV	0 to 999999	4	R	Decimal
Counter Underflow Bit	CUN	CUN	0 to 999999	4	R	Decimal
Counter Update Accumulator	CUA	CUA	0 to 999999	4	R	Decimal
Control Enable Bit	REN	REN	0 to 999999	4	R	Decimal
Control Queue Bit	REU	REU	0 to 999999	4	R	Decimal
Control Aynchronous Done Bit	RDN	RDN	0 to 999999	4	R	Decimal
Control Synchronous Done Bit	REM	REM	0 to 999999	4	R	Decimal
Control Error Bit	RER	RER	0 to 999999	4	R	Decimal
Control Unload Bit	RUL	RUL	0 to 999999	4	R	Decimal
Control Running Bit	RIN	RIN	0 to 999999	4	R	Decimal
Control Found Bit	RFD	RFD	0 to 999999	4	R	Decimal

For details about the address notation, refer to "Expression of Device Address Format".

### Expression of Device Address Format

Format	Allen-Bradley	WindO/I-NV4	MicroLogix 1200 programming software
1	$SI_{2:12/6}$ 1 to 2 digits Bit number 1 to 3 digits Word number 1 to 2 digits File number	$SI_{201206}$ 2 digits Bit number 3 digits Word number 1 to 2 digits Slot number	I:2/12.6
2	$PI_{277/17}$ 1 to 2 digits Terminal number 1 digit Group number 1 to 2 digits Rack number	$PI_{27717}$ 2digits Terminal number 1 digit Group number 1 to 2 digits Rack number	I:277/17
3	$B_{10:123/5}$ 1 to 2 digits Bit number 1 to 3 digits Element number 1 to 3 digits File number	$B_{1012305}$ 2 digits Bit number 3 digits Element number 1 to 3 digits File number	B10:123/5
4	$TEN_{12:123}$ 1 to 3 digits Element number 1 to 3 digits File number	$TEN_{12123}$ 3digits Element number 1 to 3 digits File number	TEN12:123

**Word Device**

Device Name	Device Type		Address Number Range		Read /Write	Address Numeral System
	Main unit	PLC	Range	Format		
SLC/MicroLogix Input (Word)	SWI	I	0 to 16255	1	R	Decimal
SLC/MicroLogix Output (Word)	SWO	O	0 to 16255	1	R	Decimal
PLC-5 Input (Word)	PWI	I	0 to 277	2	R	Decimal
PLC-5 Output (Word)	PWO	O	0 to 277	2	R/W	Decimal
Status	S	S	2000 to 2026	3	R	Decimal
Timer (Preset Value)	TP	TP	0 to 999999	3	R/W	Decimal
Timer (Accumulated Value)	TA	TA	0 to 999999	3	R/W	Decimal
Counter (Preset Value)	CP	CP	0 to 999999	3	R/W	Decimal
Counter (Accumulated Value)	CA	CA	0 to 999999	3	R/W	Decimal
Control LEN	RLEN	RLEN	0 to 999999	3	R/W	Decimal
Control POS	RPOS	RPOS	0 to 999999	3	R/W	Decimal
Binary (Word)	WB	WB	0 to 999999	3	R/W	Decimal
Integer	N	N	0 to 999999	3	R/W	Decimal
Float/REAL	F	F	0 to 9999991	4	R/W	Decimal
Long/DINT	L	L	0 to 9999991	4	R/W	Decimal
ASCII	A	A	0 to 999999	3	R/W	Decimal
BCD	BCD	BCD	0 to 999999	3	R/W	Decimal
SINT	SINT	SINT	0 to 999999	3	R/W	Decimal
String LEN	STL	ST	0 to 999999	3	R	Decimal
String DATA	ST	ST	0 to 99999940	5	R/W	Decimal

For details about the address notation, refer to "Expression of Device Address Format".

Expression of Device Address Format

Format	Allen-Bradley	WindO/I-NV4	MicroLogix 1200 programming software
1	SWI12:10 <div style="display: flex; justify-content: space-around; margin-top: 5px;"> <span>1 to 3 digits Word number</span> <span>1 to 2 digits Slot number</span> </div>	SWI12010 <div style="display: flex; justify-content: space-around; margin-top: 5px;"> <span>3 digits Word number</span> <span>1 to 2 digits Slot number</span> </div>	I:12/10
2	PWI277 <div style="display: flex; justify-content: space-around; margin-top: 5px;"> <span>1 digit Group number</span> <span>1 to 2 digits Rack number</span> </div>	PWI277 <div style="display: flex; justify-content: space-around; margin-top: 5px;"> <span>1 digit Group number</span> <span>1 to 2 digits Rack number</span> </div>	I:277
3	WB123:255 <div style="display: flex; justify-content: space-around; margin-top: 5px;"> <span>1 to 3 digits Element number</span> <span>1 to 3 digits File number</span> </div>	WB123255 <div style="display: flex; justify-content: space-around; margin-top: 5px;"> <span>3 digits Element number</span> <span>1 to 3 digits File number</span> </div>	B123:255
4	F123:255-0, F123:255-1 <div style="display: flex; justify-content: space-around; margin-top: 5px;"> <span>1 digit 0: Lower word 1: Upper word</span> <span>1 to 3 digits Element number</span> <span>1 to 3 digits File number</span> </div>	F1232550, F1232551 <div style="display: flex; justify-content: space-around; margin-top: 5px;"> <span>1 digit 0: Lower word 1: Upper word</span> <span>3 digits Element number</span> <span>1 to 3 digits File number</span> </div>	F123:255
	WindO/I-NV4 uses 32 bit device as the divided 2 word device. Therefore, the last one digit shows that the device is upper word or lower word.		
5	ST123:255/40 <div style="display: flex; justify-content: space-around; margin-top: 5px;"> <span>1 to 2 digits DATA number</span> <span>1 to 3 digits Element number</span> <span>1 to 3 digits File number</span> </div>	ST12325540 <div style="display: flex; justify-content: space-around; margin-top: 5px;"> <span>2 digits DATA number</span> <span>3 digits Element number</span> <span>1 to 3 digits File number</span> </div>	ST123:255.DATA[40]



- Floating Point(F) and Long Word(L) are 32-bit devices. When you write to these devices, please be sure to write a high word and low word simultaneously. If you write only high word or only low word, 0 will be written into the other word.
- String LEN stores the number of characters written when a string is written from the String DATA start address (DATA[0]) of each element.  
If the address to write is not from the start, the value of String LEN is not updated.
- When writing a string from a Character Input, the NULL terminating character is written at the end of the string.
- A communication error occurs if you specify a file or element that is not allocated to the MicroLogix1200 or SLC 500 data table map.



WO, WI, WB is same devices as O, I, B. They are used as word devices.

Cross reference table of devices name**Bit Device**

Device Name	Device Type	MicroLogix SLC 500	PLC-5	ControlLogix CompcatLogix
SLC/MicroLogix Input	SI	Input (Bit)		
SLC/MicroLogix Output	SO	Output (Bit)		
PLC-5 Input	PI		Input (Bit)	
PLC-5 Output	PO		Output (Bit)	
Binary	B	Binary	Binary	
Timer Enable bit	TEN	Timer Enable Bit	Timer Enable Bit	
Timer Timing Bit	TTT	Timer Timing Bit	Timer Timing Bit	
Timer Done Bit	TDN	Timer Done Bit	Timer Done Bit	
Counter Up Enable Bit	CCU	Counter Up Enable Bit	Counter Up Enable Bit	
Counter Down Enable Bit	CCD	Counter Down Enable Bit	Counter Down Enable Bit	
Counter Done Bit	CDN	Counter Done Bit	Counter Done Bit	
Counter Overflow Bit	COV	Counter Overflow Bit	Counter Overflow Bit	
Counter Underflow Bit	CUN	Counter Underflow Bit	Counter Underflow Bit	
Counter Update Accumulator	CUA	Counter Update Accumulator		
Control Enable Bit	REN	Control Enable Bit		
Control Queue Bit	REU	Control Queue Bit		
Control Aynchronous Done Bit	RDN	Control Aynchronous Done Bit		
Control Synchronous Done Bit	REM	Control Synchronous Done Bit		
Control Error Bit	RER	Control Error Bit		
Control Unload Bit	RUL	Control Unload Bit		
Control Running Bit	RIN	Control Running Bit		
Control Found Bit	RFD	Control Found Bit		

**Word Device**

<b>Device Name</b>	<b>Device Type</b>	<b>MicroLogix SLC 500</b>	<b>PLC-5</b>	<b>ControlLogix CompactLogix</b>
SLC/MicroLogix Input (Word)	SWI	Input (Word)		
SLC/MicroLogix Output (Word)	SWO	Output (Word)		
PLC-5 Input (Word)	PWI		Input (Word)	
PLC-5 Output (Word)	PWO		Output (Word)	
Status	S	Status	Status	
Timer (Preset Value)	TP	Timer (Preset Value)	Timer (Preset Value)	
Timer (Accumulated Value)	TA	Timer (Accumulated Value)	Timer (Accumulated Value)	
Counter (Preset Value)	CP	Counter (Preset Value)	Counter (Preset Value)	
Counter (Accumulated Value)	CA	Counter (Accumulated Value)	Counter (Accumulated Value)	
Control LEN	RLEN	Control LEN		
Control POS	RPOS	Control POS		
Bit (Word)	WB	Bit (Word)	Bit (Word)	
Integer	N	Integer	Integer	INT
Float/REAL	F	Float		REAL
Long/DINT	L	Long		DINT
ASCII	A	ASCII	ASCII	
BCD	BCD		BCD	
SINT	SINT			SINT
String	ST	String		

● Logix DF1 (Full Duplex)

**Word Device**

Device Name	Device Type		Address Number Range		Read/Write	Address Numeral System
	Main unit	PLC	Range	Format		
INT	INT	INT	0 to 999999	1	R/W	Decimal
REAL	REAL	REAL	0 to 9999991	2	R/W	Decimal
DINT	DINT	DINT	0 to 9999991	2	R/W	Decimal
SINT	SINT	SINT	0 to 999999	1	R/W	Decimal

For details about the address notation, refer to "Expression of Device Address Format".

Expression of Device Address Format

Format	Allen-Bradley	WindO/I-NV4	ControlLogix programming software
1	INT40:45 1 to 3 digits Element number 1 to 3 digits File number	INT40045 3 digits Element number 1 to 3 digits File number	INT40:45
2	REAL123:255-0, REAL123:255-1 1 digit 0: Lower word 1 digit 1: Upper word 1 to 3 digits Element number 1 to 3 digits File number	REAL1232550, REAL1232551 1 digit 0: Lower word 1 digit 1: Upper word 3 digits Element number 1 to 3 digits File number	REAL123:255
WindO/I-NV4 uses 32 bit device as the divided 2 word device. Therefore, the last one digit shows that the device is upper word or lower word.			



- Floating Point(F) and Long Word(L) are 32-bit devices. When you write to these devices, please be sure to write a high word and low word simultaneously. If you write only high word or only low word, 0 will be written into the other word.
- A communication error occurs if you specify a file or element that is not allocated to the MicroLogix1200 or SLC 500 data table map.

## 5.6 How to set Device Address for ControlLogix and CompactLogix series

In ControlLogix and CompactLogix series, a device address is set with a tag name. However, you have to set with a device type and an address number that is the same format as MicroLogix, SLC 500 and PLC-5 because WindO/I-NV4 can not operate a tag name directly.

You have to attach each tag name to a device type and device address at that time. This is called mapping.

### ● Mapping

The following work is done in the Allen-Bradley software.

- 1 Define some tags to communicate with the main unit in **Controller Tags**
- 2 Select **Logic**, and then **Map PLC/SLC Messages...** from the main menu on the Allen-Bradley software.
- 3 Attach File Number to each tag name in **PLC3,5/SLC Mapping** dialog box.

### ● Selecting the device address in WindO/I-NV4

Set the tag type to a device type, and set the File Number and the array number to an address number.

### ● The process to select device address

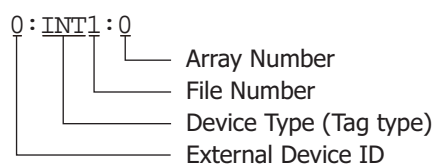
- 1 Define some tags on the Allen-Bradley software.

Tag name	Data Type	Array
Tag_A	INT	[10]
Tag_B	SINT*1	[10]
Tag_C	DINT	[10]
Tag_D	REAL	[10]

- 2 Do mapping tag to File Number.

Tag name	Data Type	Array		File Number
Tag_A	INT	[10]	→	1
Tag_B	SINT	[10]	→	2
Tag_C	DINT	[10]	→	3
Tag_D	REAL	[10]	→	4

- 3 Set a device address in the WindO/I-NV4.



\*1 Defines the SINT type's tag with couple of byte.

● Example for WindO/I-NV4

The setting example uses Allen-Bradley device address format. The External Device ID is 0 in the example.

Tag name	Data Tyde	Array		File Number
Tag_A	INT	[10]	→	1
Tag_B	SINT	[10]	→	2
Tag_C	DINT	[10]	→	3
Tag_D	REAL	[10]	→	4

Example1: Set an array number 0 in Tag\_A.

0: INT 1:0

Example2: Set an array number 5 in Tag\_B.

0: SINT 2:5

Example3: Set a lower word on array number 3 in Tag\_C.

0: DINT 3:3\_0

Example4: Set an upper word on array number 9 in Tag\_D.

0: REAL 4:9\_1



Need to set upper word or lower word in WindO/I-NV4 when use 32-bit device.

Add "\_0" after array number when use lower word, "\_1" after array number when use upper word.



## 5.7 Device Addresses used for Logix Native Tag(Ethernet)

When using Logix Native Tag(Ethernet) as a communication driver, the device address is set using tags.

To use tags, on the **Communication Driver Network** tab in the Project Settings dialog box, set the **Tag File** to Allen-Bradley Import/Export file (\*.L5K). The Tag File needs to be a L5K file format from the Allen-Bradley software.

You can make the Allen-Bradley Import/Export file (\*.L5K) by using the Allen-Bradley software.

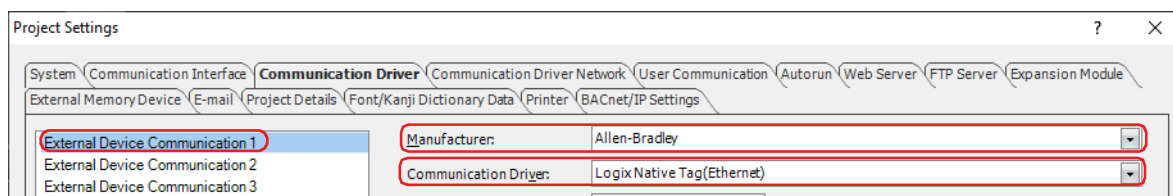
### ● Supported data type

- BOOL\*<sup>1</sup>
- INT
- DINT
- SINT
- REAL
- TIMER
- COUNTER
- CONTROL
- STRING
- User-Defined
- Add-On-Defined
- Module-Defined

### ● Tag Files Settings Configuration Procedure

Configure the following settings by using WindO/I-NV4.

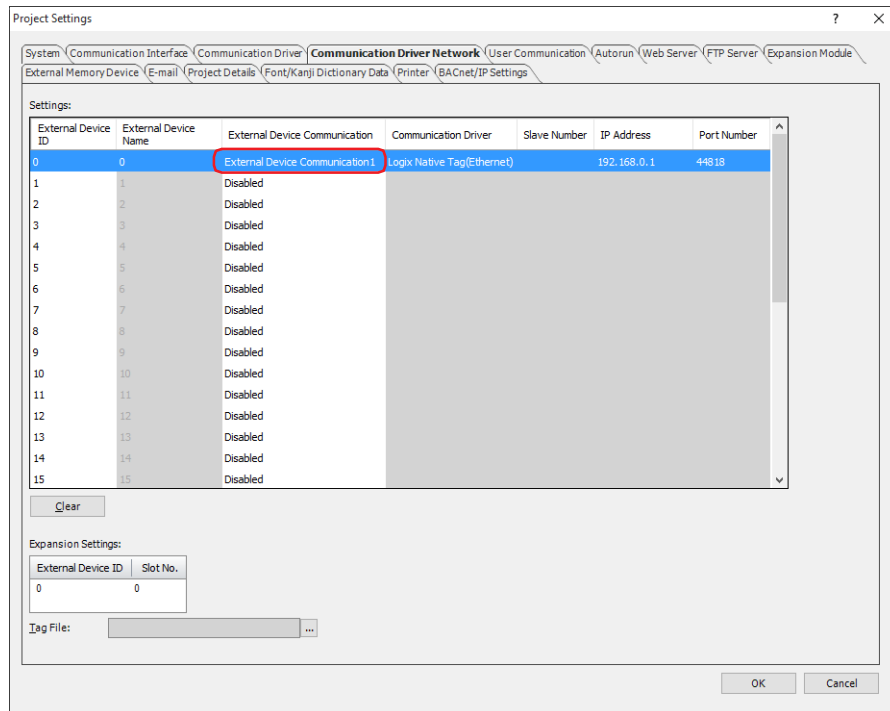
Before starting this procedure. Set **Allen-Bradley** as a **Manufacturer** and **Logix Native Tag(Ethernet)** as a **Communication Driver** for the target External Device Communication in the **Communication Driver** tab on the **Project Settings** dialog box.



\*1 Does not support BOOL type arrays.

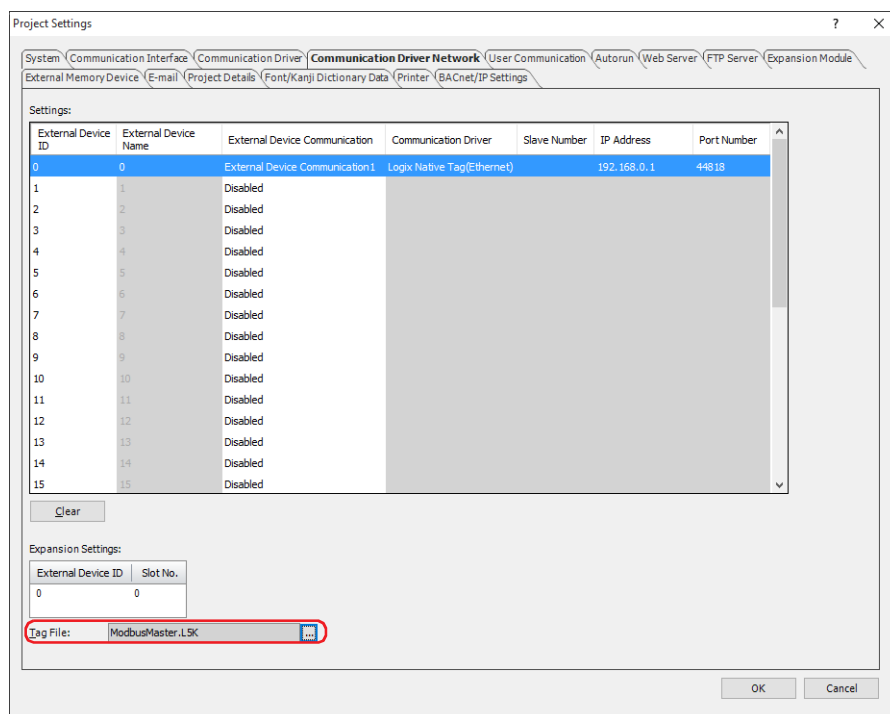
- 1 On the **Communication Driver** tab in the **Project Settings** dialog box, setup the **External Device Communication**.

Select the **External Device Communication** that assigned to the **Logix Native Tag(Ethernet)**.



- 2 Set a tag file.

Import the L5K file that exported from the Allen-Bradley software to **Tag File**.




To get the Allen-Bradley Import/Export file (\*.L5K), open a project in the Allen-Bradley software, select **File, Save As**, and then select the L5K file as **Save as type**.


- 3 Change the settings of **External Device Name**, **IP Address**, **Port No.** and **Slot No.** as needed.

## ● Tags Setting

Tags can be set in the following ways.

- Using the keyboard, type the tag name directly into the text box where the device address is set.
- Click the  button to the right of the text box where the device address is set, and select a tag in Tag Editor. For details about the Tag Editor, refer to “Logix Native Tag(Ethernet)” on page 2-133.



Even if the added Allen-Bradley Import/Export file(\*.L5K) contains Module-Defined tags, they will not be displayed in the Tag Editor. If necessary, add a Module-Defined tag using  (Add new tag) on the Tag Editor.

## ● How to edit Tags

The content of tags imported in the **Communication Driver Network** tab on the **Project Settings** dialog box in WindO/I-NV4 can be edited using the Tag Editor. For details about the Tag Editor, refer to “Logix Native Tag(Ethernet)” on page 2-133.

### ● Cautions When Using Indirect Read and Indirect Write

The main unit is capable of specifying a device address offset for certain parts. When using Logix Native Tag, the offset is specified according to the following rules.

- Offsets cannot be specified for tags with no arrays.
- The array number for tags with arrays changes according to the offset value.

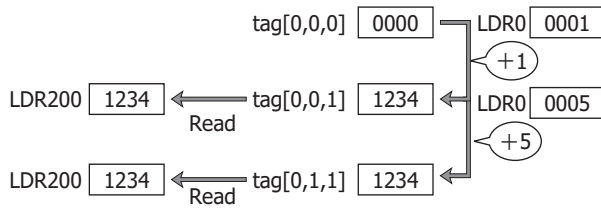
Example: Create a tag as a data type is INT and an array number is [2,3,4], and then set the device address to [0,0,0]. When the offset value is 1, use data of [0,0,1]. When the offset value is 5, use data of [0,1,1].

#### Script

```
[LDR 200] = OFFSET(tag[0,0,0],[LDR 0]);
```

#### Operation description

When the value of LDR0 is 1, the value of tag[0,0,1], the device address 1 words from tag[0,0,0], is read and stored in LDR200.



- The offset value changes to match the array numbers in the structure if TIMER, COUNTER, CONTROL or user-defined structure data type array is created.

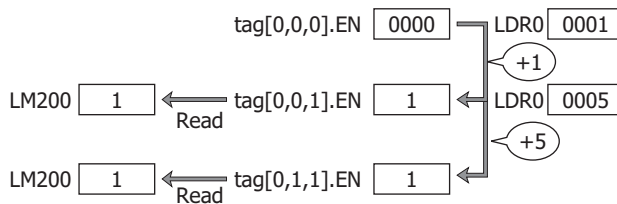
Example: Create a tag as a data type is TIMER and an array number is [2,3,4], and then set the device address to [0,0,0].EN. When the offset value is 1, use data of [0,0,1].EN. When the offset value is 5, use data of [0,1,1].EN.

#### Script

```
[LM 200] = OFFSET(tag[0,0,0].EN,[LDR 0]);
```

#### Operation description

When the value of LDR0 is 1, the value of tag[0,0,1].EN, the device 1 words from tag[0,0,0].EN, is read and stored in LDR200.



- When a user-defined structure is created with an array, if members of the structure also have arrays, change the offset value according to the array of the member.

- With the main unit, reference device values are specified in units of 16-bit devices. Therefore, to specify a value for DINT, REAL, TIMER (a 32-bit device), or PRE and ACC elements in the CONTROL structure, it is necessary to double the reference device value in the PLC before specifying it.

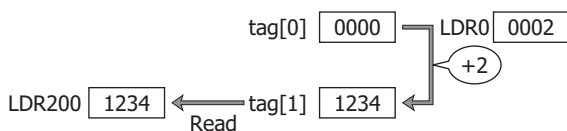
Example 1: If 1 is specified as the reference device value for DINT[0], the upper word for DINT[0] is used. To use DINT[1], specify a reference device value of 2.

#### Script

```
[LM 200] = OFFSET(tag[0],[LDR 0]);
```

#### Operation description

When the value of LDR0 is 2, the value of tag[1], the device 2 words from tag[0], is read and stored in LDR200.



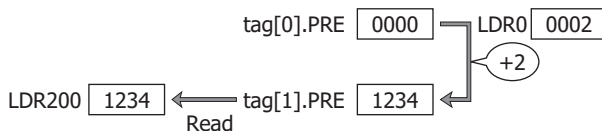
Example 2: If 1 is specified as the reference device value for TIMER[0].PRE, the upper word for TIMER[0].PRE is used. To use TIMER[1].PRE, specify a reference device value of 2.

#### Script

```
[LM 200] = OFFSET(tag[0].PRE,[LDR 0]);
```

#### Operation description

When the value of LDR0 is 2, the value of tag[1].PRE, the device 2 words from tag[0].PRE, is read and stored in LDR200.



## ● Restrictions

- The number of characters that can be set in a tag is as follows.

Item	Module-Defined Tag	Other than Module-Defined Tag
Tag Name	256 max.	40 max.
Total number of Tag Name, array, and member characters	256 max.	
Total number of Tag Name, array, and member characters (including the program name) in a tag in Program Scope	248 max.	

- Array elements can be up to 3 dimensions.
- The maximum array number is 65,535.
- The maximum number of tag names that can be set for a project is 65,535 per External Device ID.
- When a tag is set as the 32-bit data types such as DINT, REAL, TIMER, COUNTER or CONTROL, and the main unit reads or writes values of tag in 16-bit units, acquires a value of the tag according to **Storage Method of 32-bit Numerical Data** setting in the **Communication Driver** tab on the **Project Settings** dialog box and the value of the lower 16-bit is used. The value of the upper 16-bit becomes to 0.

Example: The data type of DINT\_Tag is DINT, the value of DINT\_Tag is 12345678h, **Display Device Address** of Numerical Display is DINT\_Tag, **Data Type** is **UBIN16(W)**, **Display Type** is **Hexadecimal**, and **Storage Method of 32-bit Numerical Data** setting in the **Communication Driver** tab on the **Project Settings** dialog box is **from Lower word**, the value of lower 16-bit (5678h) is displayed. The value of upper 16-bit (1234h) is not displayed.

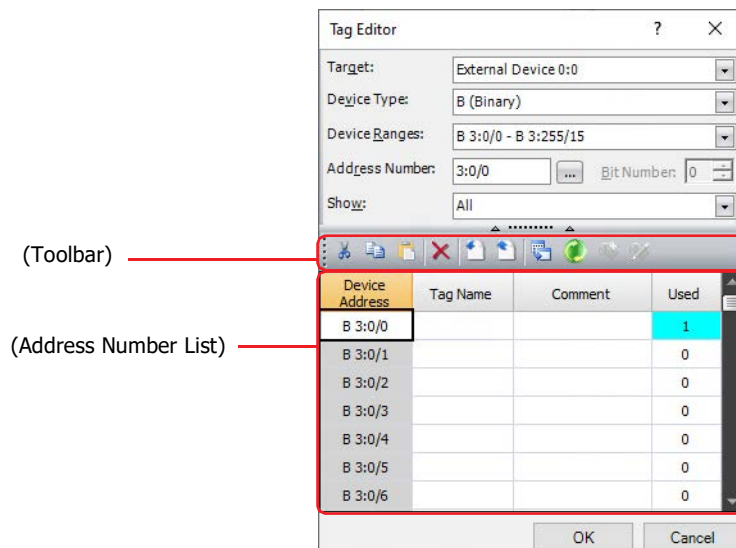
Device	Tag Name	Data Type	Value	
			Upper 16-bit	Lower 16-bit
Allen-Bradley PLC	DINT_Tag	DINT	1234h	5678h
The main unit	DINT_Tag	UBIN16(W)	0000h	5678h

- The external device address cannot be monitored using the main unit Device Monitor or WindO/I-NV4.
- The O/I Link Communication cannot be used.
- The main unit supports only the CONTROL, COUNTER, and TIMER of the Predefined structure.
- Does not support the **Alias**.
- The DATA of the STRING data structure is SINT (1 byte) in Allen-Bradley PLC, but the main unit handles data in 2-bytes. After importing the Allen-Bradley Import/Export file (\*.L5K) or adding tags with Tag Editor, only even numbered arrays (DATA [0], DATA [2], DATA [4], ...) are displayed on Tag Editor. When the character string is written from the start address number (DATA [0]), the number of characters in the character string written is stored in [LEN]. If the write destination is not from the start address number, the value of [LEN] will not be changed.
- When writing a string from a character input, the NULL terminating character is written at the end of the string.

## 5.8 Tag Editor

This section describes items and buttons on the Tag Editor used for an Allen-Bradley PLC. The Tag Editor varies based on the selected driver as the Communication Driver.

### ● Other than Logix Native Tag(Ethernet)



#### ■ Target

Select the external device.

The external device set in **(Settings)** on the **Communication Driver Network** tab is displayed in **External Device (External Device ID): (External Device Name)**.

#### ■ Device Type

Select the device type.

The list only shows device types that can be used.

#### ■ Device Ranges

Select the range of Device Addresses displayed in (Address Number List). The range that can be set varies based on the selected device type.

#### ■ Address Number

Specify the address number. The range that can be set varies based on the selected device type.

This only appears if you clicked  to the right of the text box where the device address is set and opened Tag Editor.

Click the  button to display the **Address Number Settings for Allen-Bradley** dialog box. For details, refer to "Address Number Settings for Allen-Bradley dialog box" on page 2-132.

#### ■ Bit Number

Specify the bit number (0 to 15) of the word device.

This only appears if you clicked  to the right of the text box where the device address is set and opened Tag Editor. This option can only be configured when a word device is selected for **Device Type**.

#### ■ Show









Select the device address displayed in the (Address Number List) from the following options.

All: Displays all of the device addresses that can be used with the device selected in **Target**.

Used: Displays only the device addresses that are used in the active project data.

Unused: Displays only the device addresses that are not used in the active project data.

## ■ (Toolbar)

-  (Cut): Cuts the selected tag name or comment from (Address number list) and copies it to the clipboard.
-  (Copy): Copies the selected tag name or comment to the clipboard.
-  (Paste): Pastes the contents of the clipboard.
-  (Delete): Deletes the selected tag name or comment.
-  (Import): Opens the Open dialog box.  
Select a file with exported tag names and comments (CSV file), and then click **Open** to collectively overwrite (Address Number List) with the tag names and comments in the selected file.  
This can only be used when Tag Editor is displayed in the Workspace.
-  (Export): Opens the Export dialog box.  
Select the location to save the file, enter a file name, and then click **Save** to save the tag names and comments of (Address Number List) as a CSV file.  
This can only be used when Tag Editor is displayed in the Workspace.
-  (Cross Reference): Opens the Cross Reference dialog box. For details, refer to "Cross Reference dialog box" on page 2-135.
-  (Refresh): Updates the **Used** column on the Tag Editor.

## ■ (Address Number List)

Displays a list of device addresses that match the specified condition.

Device Address: Displays the device addresses of the selected Device Type.

Tag Name: Displays the tag name of the address number. Double clicking the cell allows you to edit the tag name. The maximum number of characters is 20.



- If you specify the same alphabet as the selected device type at the beginning of the tag name, the subsequent characters must contain the alphabet or symbol.
- A tag name cannot contain any of the following characters and names:
  - # \$ \* + , - /
  - Spaces and control characters
  - Same name as device address
  - Name starting with a number

Comment: Displays the comment of the address number. Double clicking the cell allows you to edit the comment. The maximum number of characters is 255. You can enter multi-line comment by inserting a newline.

Used: Displays how many times each address number has used.

### Address Number Settings for Allen-Bradley dialog box

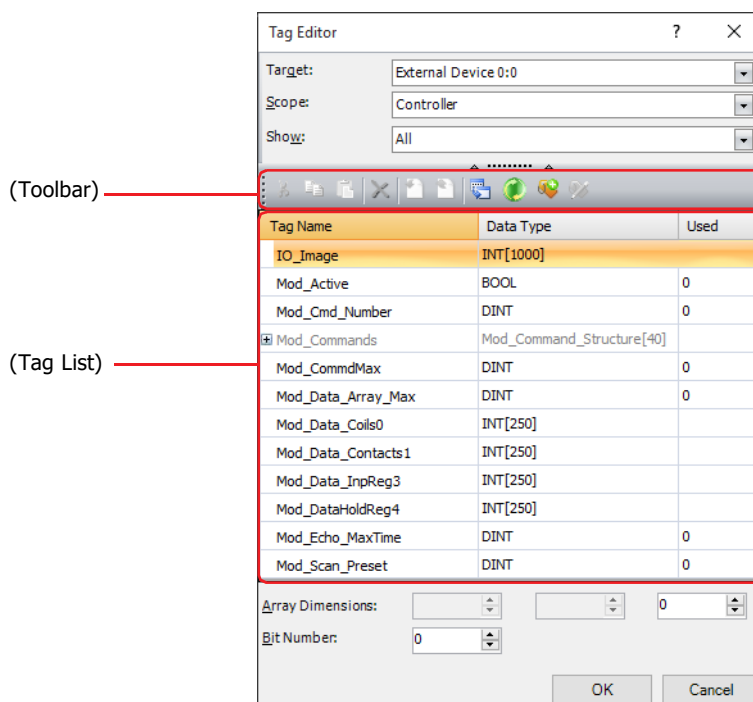
Click  next to **Address Number** to display the **Address Number Settings for Allen-Bradley** dialog box. You can set or edit the address number of an Allen-Bradley PLC.

Device Type: Displays the device type selected in the Tag Editor.

For the settings other than **Device Type**, enter the device address in accordance with the notation method of address numbers for Allen-Bradley PLC.



## ● Logix Native Tag(Ethernet)



### ■ Target

Select the device that includes the target device address from **External Device (External Device ID): (External Device Name)**.

The external device set in **(Settings)** on the **Communication Driver Network** tab is displayed in **External Device (External Device ID): (External Device Name)**.

### ■ Scope

Select **Controller** or **(Program scopes)** for Scope.

If program scopes exist on the Allen-Bradley tag of an added Allen-Bradley Import/Export file (\*.L5K), the program names will be displayed in alphabetical order in (Program scopes).

### ■ Show






Select the tags displayed in (Tag List) from the following options.

All: Displays all of the tags that can be used with the device selected in **Target**.



Used: Displays only the tags that are used in the active project data.

Unused: Displays only the tags that are not used in the active project data.

### ■ (Toolbar)

-  (Delete): Deletes the selected tag name. This can only be used when Tag Editor is displayed in the Workspace and the highest node is selected.
-  (Cross Reference): Opens the Cross Reference dialog box. For details, refer to "Cross Reference dialog box" on page 2-135.
-  (Refresh): Updates the **Used** column on the Tag Editor.
-  (Add New Tag): Opens the Tag Settings dialog box. Adds a tag. For details, refer to "Tag Settings dialog box" on page 2-134.
-  (Edit Tag): Opens the Tag Settings dialog box. Edits the registered tag. For details, refer to "Tag Settings dialog box" on page 2-134.  
This can only be used when Tag Editor is displayed in the Workspace and the highest node is selected.



To enable  (Add New Tag) or  (Edit Tag), set **Target** to the External Device ID for which the Allen-Bradley Import/Export file (\*.L5K) is set in **Tag File** in the **Communication Driver Network** tab on the **Project Settings** dialog box.

### ■ (Tag List)

The tags that match the specified conditions are displayed.


Tag Name: Displays the tag name of each tag.

Data Type: Displays the data type of each tag.

Used: Displays how many times each address number has used.

### ■ Array Dimensions


Specifies the array elements up to 3 dimensions.

This option is only displayed when the Tag Editor opens by clicking  next to the text box to setup a device address.



### ■ Bit Number

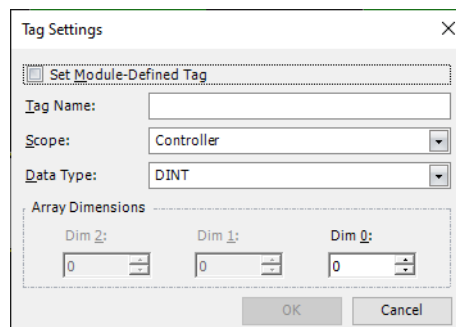
Specify the bit number (0 to 15) of the word device.

The maximum Bit Number depends on the data type of the selected tag.

This option is only displayed when the Tag Editor opens by clicking  next to the text box to setup a device address. Can only be set if a word device is selected as **Device Type**.

### Tag Settings dialog box

To display the **Tag Settings** dialog box, click  (Add New Tag) or  (Edit Tag). You can add or edit an Allen-Bradley tag name, scope, data type, and array.



Set Module-Defined Tag: Set the Module-Defined tag.

Select this check box to configure the Module-Defined tag.

Tag Name: You can enter single-byte characters for the tag name. The characters and the number of characters that can be entered vary based on the state of **Set Module Definition Tag**.

Set Module-Defined Tag check box	Characters that can be entered	The maximum number
Cleared	a to z, A to Z, 0 to 9 and underscore (_)	40
Selected	a to z, A to Z, 0 to 9, underscore (_), period (.), comma (,), colon (:), and bracket ([]).	256



- You cannot enter characters that cannot be used.
- The tag name must start with an alphabet or underscore and end with an alphabet, number or bracket. However, a period and numbers cannot be used consecutively at the end of the tag name.
- Underscores cannot be used consecutively in the tag name.
- Square brackets can be used as only Array.


Scope: Select **Controller** or **(Program scopes)** for Scope.

If program scopes exist on the tag of an added Allen-Bradley Import/Export file (\*.L5K), the program names will be displayed in alphabetical order in (Program scopes).


Data Type: Selects the data type.

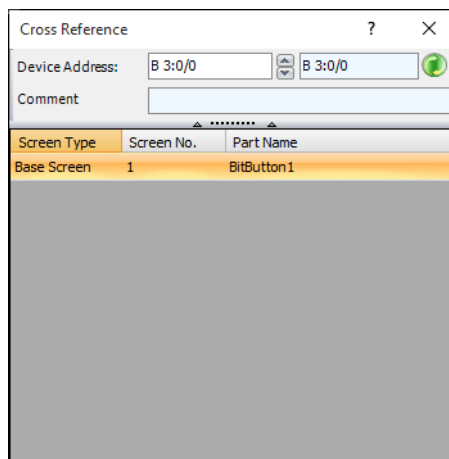
The list only shows data types that can be used.

Array Dimensions: Specifies the array elements up to 3 dimensions.

This option is only displayed when the Tag Editor opens by clicking  next to the text box to setup a device address.

### ● Cross Reference dialog box

To display the screen type, screen number, and part name that uses the tag of a tag name, select the tag name with (Tag List) in Tag Editor, and click  (Cross Reference).



## 6 JTEKT (Toyota)

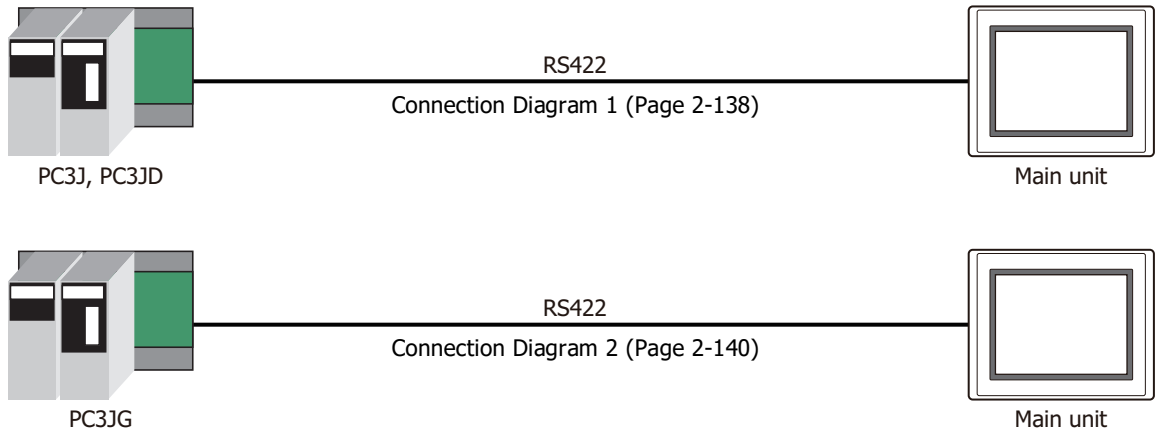
### 6.1 Connection Table

CPU Unit	Link Unit	WindO/I-NV4 Settings		
		Interface	Flow Control	Communication Driver
<b>TOYOPUC-PC2J</b>				
PC2J	Not required (Connects to Built-in Link)	RS422/485 2-wire Connection Diagram 1 (Page 2-138)	None	TOYOPUC-PC3J
<b>TOYOPUC-PC3J</b>				
PC3J PC3JD	Not required (Connects to Built-in Link)	RS422/485 2-wire Connection Diagram 1 (Page 2-138)	None	TOYOPUC-PC3J
PC3JG	Not required (Connects to Built-in Link)	RS422/485 2-wire Connection Diagram 2 (Page 2-140)		
PC3J PC3JD PC3JG	FL/ET-T-V2H	Ethernet	-	TOYOPUC(Ethernet)
<b>TOYOPUC-PC10</b>				
PC10G	Not required (Connects to L1 or L2 port of the CPU Unit)	Ethernet	-	TOYOPUC(Ethernet)

## 6.2 System Configuration

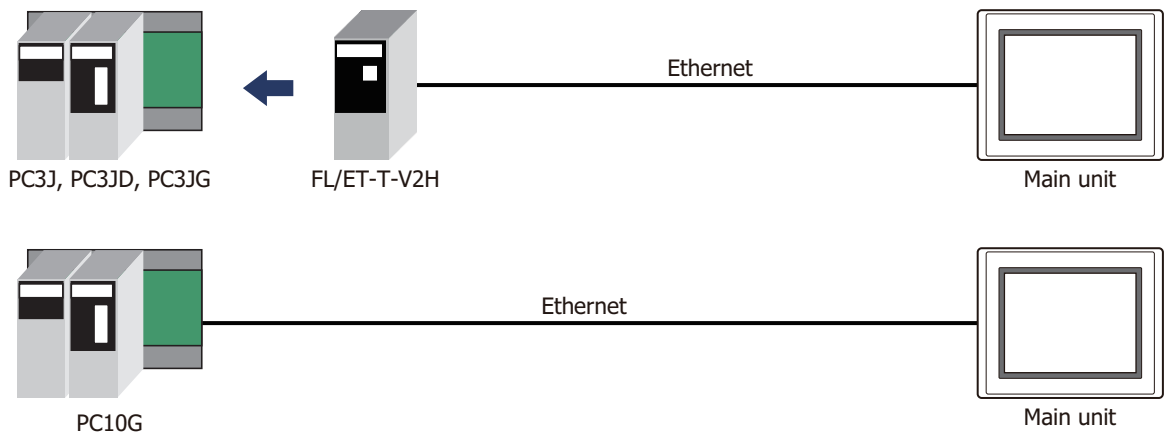
This is the system configuration for the connection of JTEKT (Toyoda) PLCs to the main unit.

- TOYOPUC-PC3J series (uses to the Built-in Link)



It connects with the Built-in Link port of a CPU unit.

- TOYOPUC-PC3J/-PC10 (Ethernet)

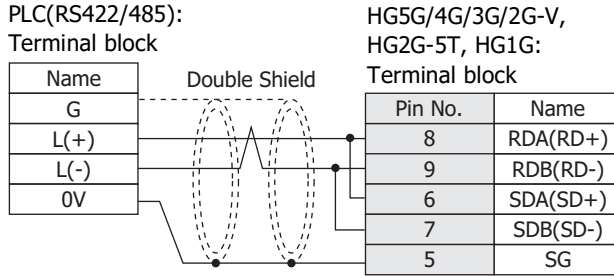


### 6.3 Connection Diagram



The connector types given in the Connection Diagrams are for the unit and not the cable. For details regarding wiring, refer to Chapter 1 "3 Important Points Regarding Wiring" on page 1-4.

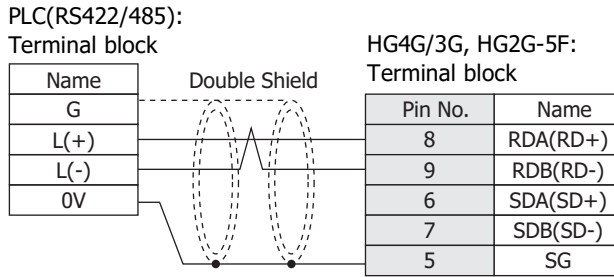
● Connection Diagram 1: PC2J, PC3J, PC3JD



Configure the **Flow Control** to **None**, because the terminal block of the HG5G/4G/3G/2G-V, HG2G-5T, HG1G doesn't have control lines.



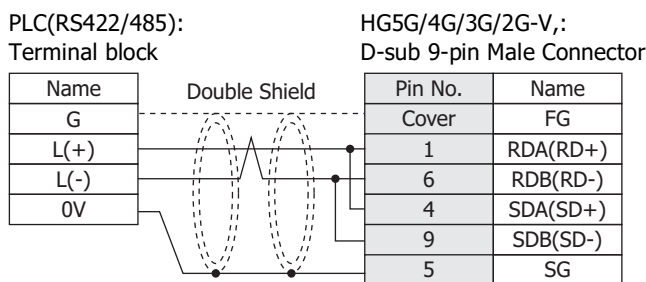
Insert a terminating resistor, if necessary. For the setting method, refer to Chapter 1 "3 Important Points Regarding Wiring" on page 1-4.



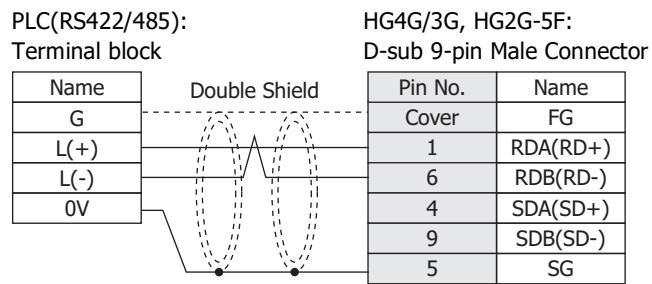
Configure the **Flow Control** to **None**, because the terminal block of the HG4G/3G, HG2G-5F doesn't have control lines.



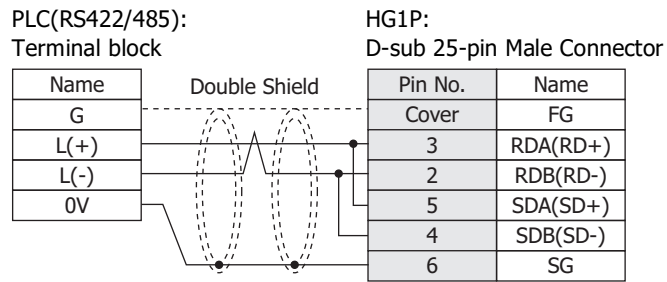
Insert a terminating resistor, if necessary. For the setting method, refer to Chapter 1 "3 Important Points Regarding Wiring" on page 1-4.



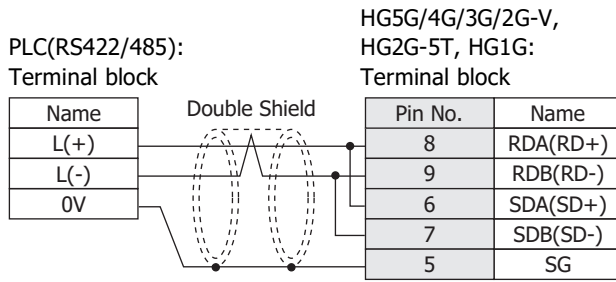
When connecting COM1 on the HG5G/4G/3G/2G-V to the external device, do not insert terminating resistor to the external device.



When connecting COM1 on the HG4G/3G, HG2G-5F to the external device, do not insert terminating resistor to the external device.



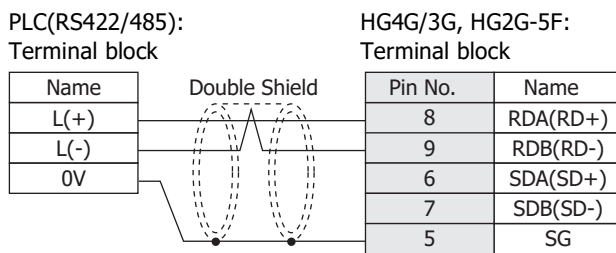
● Connection Diagram 2: PC3JG



Configure the **Flow Control** to **None**, because the terminal block of the because the terminal block of the HG5G/4G/3G/2G-V, HG2G-5T, HG1G doesn't have control lines.



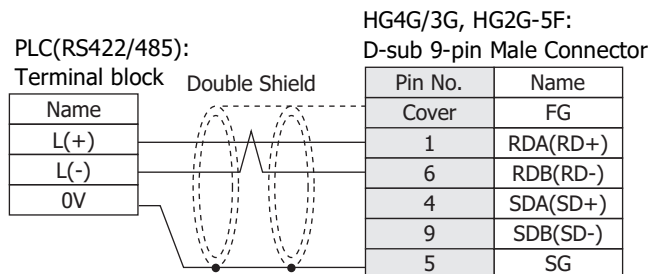
Insert a terminating resistor, if necessary. For the setting method, refer to Chapter 1 "3 Important Points Regarding Wiring" on page 1-4.



Configure the **Flow Control** to **None**, because the terminal block of the HG4G/3G, HG2G-5F doesn't have control lines.

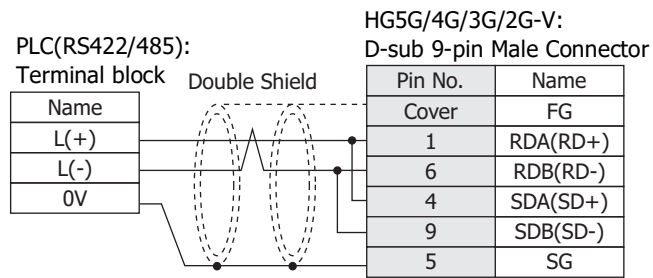


Insert a terminating resistor, if necessary. For the setting method, refer to Chapter 1 "3 Important Points Regarding Wiring" on page 1-4.

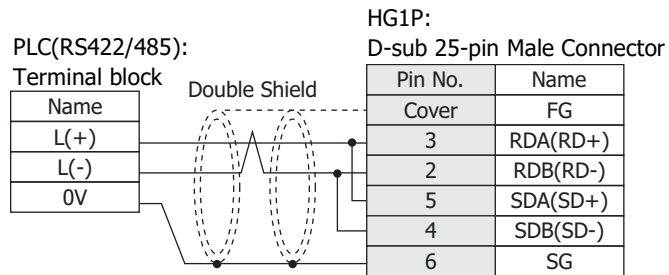


When connecting COM1 on the HG5G/4G/3G/2G-V to the external device, do not insert terminating resistor to the external device.





When connecting COM1 on the HG4G/3G, HG2G-5F to the external device, do not insert terminating resistor to the external device.



## 6.4 Environment Settings

### ● TOYOPUC-PC3J

Item	Setting
Interface	RS422/485 2-wire
Station No.	0 to 37 (Octal)*1
Baud Rate	57600, 38400, 19200, 9600, 4800, 2400 or 1200 bps
Data Bits	7 or 8
Stop Bits	1 or 2
Parity	Even



- Configure the communication conditions of PC3J in the built-in standard link parameters.
- When the built-in standard link parameters are not set, the link acts as the computer link for below settings.

Communication Speed: 19200bps  
 Data Bits: 8  
 Stop Bits: 1  
 Parity: Even  
 Station No.: 0

- For details, refer to JTEKT TOYOPUC PC3J CPU MODULE OPERATION MANUAL.

### ● TOYOPUC-PC3J/-PC10 (Ethernet)

#### The main unit Settings

Set the following items on the Project Settings dialog box in WindO/I-NV4.

Tab Name	Setting Name	Setting
Communication Interface	IP Address	Set the IP address of the main unit.
	Subnet mask	Set the subnet mask of the main unit.
	Default Gateway	Set the default gateway of the main unit.
Communication Driver Network	IP Address	Set the IP address of PLC.
	Port Number	Set the port number of PLC to communicate with the main unit.

#### PLC Settings

Configure the following items on the **Detailed Settings** in the **Link parameter**.

Item	Setting
Own Node IP Address	Set the IP address of PLC.
Connection 1	Used
Open Protocol	TCP Destination Non-Specified Passive Open
Own Node Port No.	Set an arbitrary port number (1025 to 65534).

\*1 Although a Station No. is in octal for PC3J, configure it in hexadecimal on WindO/I-NV4.  
 For example, when you set 37 on PC3J, set 1F on WindO/I-NV4.

## 6.5 Usable Device Addresses

### ● TOYOPUC

#### Bit Device

Device Name	Device Type		Address Number Range	Read /Write	Address Numeral System
	Main unit	PLC			
Input Relay	X	X	0 to 7FF	R/W	
Output Relay	Y	Y	0 to 7FF	R/W	
Internal relay <sup>*1</sup>	M	M	0 to 7FF	R/W	
Keep-relay <sup>*1</sup>	K	K	0 to 2FF	R/W	
Link relay <sup>*1</sup>	L	L	0 to 7FF	R/W	
Special relay <sup>*1</sup>	V	V	0 to 0FF	R/W	
Edge detection <sup>*1</sup>	P	P	0 to 1FF	R/W	
Timer contact <sup>*1</sup>	T	T	0 to 1FF	R	
Counter contact <sup>*1</sup>	C	C	0 to 1FF	R	
Internal relay	P3M	M	0 to 7FF	R/W	
Keep-relay	P3K	K	0 to 2FF	R/W	
Link relay	P3L	L	0 to 7FF	R/W	
Special relay	P3V	V	0 to 0FF	R/W	
Edge detection	P3P	P	0 to 1FF	R/W	
Timer contact	P3T	T	0 to 1FF	R	
Counter contact	P3C	C	0 to 1FF	R	
Internal relay	P2M	M	0 to 7FF	R/W	
Keep-relay	P2K	K	0 to 2FF	R/W	
Link relay	P2L	L	0 to 7FF	R/W	
Special relay	P2V	V	0 to 0FF	R/W	
Edge detection	P2P	P	0 to 1FF	R/W	
Timer contact	P2T	T	0 to 1FF	R	
Counter contact	P2C	C	0 to 1FF	R	
Internal relay	P1M	M	0 to 7FF	R/W	
Keep-relay	P1K	K	0 to 2FF	R/W	
Link relay	P1L	L	0 to 7FF	R/W	
Special relay	P1V	V	0 to 0FF	R/W	
Edge detection	P1P	P	0 to 1FF	R/W	
Timer contact	P1T	T	0 to 1FF	R	
Counter contact	P1C	C	0 to 1FF	R	
Extended input	EX	EX	0 to 7FF	R/W	
Extended output	EY	EY	0 to 7FF	R/W	
Extended Internal relay	EM	EM	0 to 1FFF	R/W	
Extended keep-relay	EK	EK	0 to FFF	R/W	
Extended link relay	EL	EL	0 to 1FFF	R/W	
Extended special relay <sup>5</sup>	EV	EV	0 to FFF	R/W	
Extended edge detection	EP	EP	0 to FFF	R/W	
Extended timer contact	ET	ET	0 to 7FF	R	
Extended counter contact	EC	EC	0 to 7FF	R	
Extended input <sup>*2</sup>	GX	GX	0 to FFFF	R/W	
Extended output <sup>*2</sup>	GY	GY	0 to FFFF	R/W	
Extended Internal relay <sup>*2</sup>	GM	GM	0 to FFFF	R/W	

\*1 **Parameter-set program No.** in **Link parameter** is an objective of command processing. When the built-in standard link parameters are not set, Program1 is an objective of command processing.

\*2 PC3JG only

## Word Device

Device Name	Device Type		Address Number Range	Read /Write	Address Numeral System
	Main unit	PLC			
Input	WX	X	0 to 7F	R/W	
Output	WY	Y	0 to 7F	R/W	
Internal relay* <sup>1</sup>	WM	M	0 to 7F	R/W	
Keep-relay* <sup>1</sup>	WK	K	0 to 2F	R/W	
Link relay* <sup>1</sup>	WL	L	0 to 7F	R/W	
Timer contact* <sup>1</sup>	WT	T	0 to 1F	R	
Counter contact* <sup>1</sup>	WC	C	0 to 1F	R	
Present value register* <sup>1</sup>	N	N	0 to 1FF	R	
Data register* <sup>1</sup>	D	D	0 to 2FFF	R/W	
Link register* <sup>1</sup>	R	R	0 to 7FF	R/W	
Special register* <sup>1</sup>	S	S	0 to 3FF	R/W	
File register* <sup>1</sup> * <sup>2</sup>	B	B	0 to 1FFF	R/W	
Internal relay	P3WM	M	0 to 7F	R/W	
Keep-relay	P3WK	K	0 to 2F	R/W	
Link relay	P3WL	L	0 to 7F	R/W	
Timer contact	P3WT	T	0 to 1F	R	
Counter contact	P3WC	C	0 to 1F	R	
Present value register	P3N	N	0 to 1FF	R	
Data register	P3D	D	0 to 2FFF	R/W	
Link register	P3R	R	0 to 7FF	R/W	
Special register	P3S	S	0 to 3FF	R/W	
File register* <sup>2</sup>	P3B	B	0 to 1FFF	R/W	
Internal relay	P2WM	M	0 to 7F	R/W	
Keep-relay	P2WK	K	0 to 2F	R/W	
Link relay	P2WL	L	0 to 7F	R/W	
Timer contact	P2WT	T	0 to 1F	R	
Counter contact	P2WC	C	0 to 1F	R	
Present value register	P2N	N	0 to 1FF	R	
Data register	P2D	D	0 to 2FFF	R/W	
Link register	P2R	R	0 to 7FF	R/W	
Special register	P2S	S	0 to 3FF	R/W	
File register* <sup>2</sup>	P2B	B	0 to 1FFF	R/W	
Internal relay	P1WM	M	0 to 7F	R/W	
Keep-relay	P1WK	K	0 to 2F	R/W	
Link relay	P1WL	L	0 to 7F	R/W	
Timer contact	P1WT	T	0 to 1F	R	
Counter contact	P1WC	C	0 to 1F	R	
Present value register	P1N	N	0 to 1FF	R	
Data register	P1D	D	0 to 2FFF	R/W	
Link register	P1R	R	0 to 7FF	R/W	
Special register	P1S	S	0 to 3FF	R/W	
File register* <sup>2</sup>	P1B	B	0 to 1FFF	R/W	
Extended input	WEX	EX	0 to 7F	R/W	

\*1 **Parameter-set program No.** in **Link parameter** is an objective of command processing. When the built-in standard link parameters are not set, Program1 is an objective of command processing.

\*2 File register is unavailable when **division mode** is selected from **CPU operation mode**.

## Word Device

Device Name	Device Type		Address Number Range	Read /Write	Address Numeral System
	Main unit	PLC			
Extended output	WEY	EY	0 to 7F	R/W	
Extended internal relay	WEM	EM	0 to 1FF	R/W	
Extended keep-relay	WEK	EK	0 to FF	R/W	
Extended link relay	WEL	EL	0 to 1FF	R/W	
Extended timer contact <sup>*1</sup>	WET	ET	0 to 7F	R	
Extended counter contact <sup>*1</sup>	WEC	EC	0 to 7F	R	
Extended present value register	EN	EN	0 to 7FF	R	
Extended data register	U	U	0 to 7FFF	R/W	
Extended special register	ES	ES	0 to 7FF	R/W	
Extended setup value register	H	H	0 to 7FF	R/W	
Extended input <sup>*3</sup>	WGX	GX	0 to FFF	R/W	
Extended output <sup>*3</sup>	WGY	GY	0 to FFF	R/W	
Extended internal relay <sup>*3</sup>	WGM	GM	0 to FFF	R/W	
Extended Buffer register 0 <sup>*3</sup>	EB0	EB	0 to 7FFF	R/W	
Extended Buffer register 1 <sup>*3</sup>	EB1	EB	8000 to FFFF	R/W	
Extended Buffer register 2 <sup>*3</sup>	EB2	EB	10000 to 17FFF	R/W	
Extended Buffer register 3 <sup>*3</sup>	EB3	EB	18000 to 1FFFF	R/W	



Depending on the type of CPU operation mode of PC3J that you will be using, there are limits to the areas that can be used within the device ranges given above. For details, refer to the PLC manual.

\*1 **Parameter-set program No.** in **Link parameter** is an objective of command processing. When the built-in standard link parameters are not set, Program1 is an objective of command processing.

\*3 PC3JG only

## ● TOYOPUC(Ethernet)

## Bit Device

Device Name	Device Type		Address Number Range	Read /Write	Address Numeral System
	Main unit	PLC			
Input Relay <sup>*1</sup>	X	X	0 to 7FF	R/W	
Output Relay <sup>*1</sup>	Y	Y	0 to 7FF	R/W	
Internal relay <sup>*1</sup>	M	M	0 to 7FF	R/W	
Keep-relay <sup>*1</sup>	K	K	0 to 2FF	R/W	
Link relay <sup>*1</sup>	L	L	0 to 7FF	R/W	
Special relay <sup>*1</sup>	V	V	0 to 0FF	R/W	
Timer contact <sup>*1</sup>	T	T	0 to 1FF	R	
Counter contact <sup>*1</sup>	C	C	0 to 1FF	R	
Internal relay	P3M	M	0 to 7FF	R/W	
Keep-relay	P3K	K	0 to 2FF	R/W	
Link relay	P3L	L	0 to 7FF	R/W	
Special relay	P3V	V	0 to 0FF	R/W	
Timer contact	P3T	T	0 to 1FF	R	
Counter contact	P3C	C	0 to 1FF	R	
Internal relay	P2M	M	0 to 7FF	R/W	
Keep-relay	P2K	K	0 to 2FF	R/W	
Link relay	P2L	L	0 to 7FF	R/W	
Special relay	P2V	V	0 to 0FF	R/W	
Timer contact	P2T	T	0 to 1FF	R	
Counter contact	P2C	C	0 to 1FF	R	
Internal relay	P1M	M	0 to 7FF	R/W	
Keep-relay	P1K	K	0 to 2FF	R/W	
Link relay	P1L	L	0 to 7FF	R/W	
Special relay	P1V	V	0 to 0FF	R/W	
Timer contact	P1T	T	0 to 1FF	R	
Counter contact	P1C	C	0 to 1FF	R	
Extended input	EX	EX	0 to 7FF	R/W	
Extended output	EY	EY	0 to 7FF	R/W	
Extended Internal relay	EM	EM	0 to 1FFF	R/W	
Extended keep-relay	EK	EK	0 to FFF	R/W	
Extended link relay	EL	EL	0 to 1FFF	R/W	
Extended special relay <sup>5</sup>	EV	EV	0 to FFF	R/W	
Extended timer contact	ET	ET	0 to 7FF	R	
Extended counter contact	EC	EC	0 to 7FF	R	
Extended input	GX	GX	0 to FFFF	R/W	
Extended output	GY	GY	0 to FFFF	R/W	
Extended Internal relay	GM	GM	0 to FFFF	R/W	

\*1 **Parameter-set program No.** in **Link parameter** is an objective of command processing. When the built-in standard link parameters are not set, Probram1 is an objective of command processing.

## Word Device

Device Name	Device Type		Address Number Range	Read /Write	Address Numeral System
	Main unit	PLC			
Input <sup>*1</sup>	WX	X	0 to 7F	R/W	
Output <sup>*1</sup>	WY	Y	0 to 7F	R/W	
Internal relay <sup>*1</sup>	WM	M	0 to 7F	R/W	
Keep-relay <sup>*1</sup>	WK	K	0 to 2F	R/W	
Link relay <sup>*1</sup>	WL	L	0 to 7F	R/W	
Timer contact <sup>*1</sup>	WT	T	0 to 1F	R	
Counter contact <sup>*1</sup>	WC	C	0 to 1F	R	
Present value register <sup>*1</sup>	N	N	0 to 1FF	R	
Data register <sup>*1</sup>	D	D	0 to 2FFF	R/W	
Link register <sup>*1</sup>	R	R	0 to 7FF	R/W	
Special register <sup>*1</sup>	S	S	0 to 3FF	R/W	
File register <sup>*1*2</sup>	B	B	0 to 1FFF	R/W	
Internal relay	P3WM	M	0 to 7F	R/W	
Keep-relay	P3WK	K	0 to 2F	R/W	
Link relay	P3WL	L	0 to 7F	R/W	
Timer contact	P3WT	T	0 to 1F	R	
Counter contact	P3WC	C	0 to 1F	R	
Present value register	P3N	N	0 to 1FF	R	
Data register	P3D	D	0 to 2FFF	R/W	
Link register	P3R	R	0 to 7FF	R/W	
Special register	P3S	S	0 to 3FF	R/W	
File register <sup>*2</sup>	P3B	B	0 to 1FFF	R/W	
Internal relay	P2WM	M	0 to 7F	R/W	
Keep-relay	P2WK	K	0 to 2F	R/W	
Link relay	P2WL	L	0 to 7F	R/W	
Timer contact	P2WT	T	0 to 1F	R	
Counter contact	P2WC	C	0 to 1F	R	
Present value register	P2N	N	0 to 1FF	R	
Data register	P2D	D	0 to 2FFF	R/W	
Link register	P2R	R	0 to 7FF	R/W	
Special register	P2S	S	0 to 3FF	R/W	
File register <sup>*2</sup>	P2B	B	0 to 1FFF	R/W	
Internal relay	P1WM	M	0 to 7F	R/W	
Keep-relay	P1WK	K	0 to 2F	R/W	
Link relay	P1WL	L	0 to 7F	R/W	
Timer contact	P1WT	T	0 to 1F	R	
Counter contact	P1WC	C	0 to 1F	R	
Present value register	P1N	N	0 to 1FF	R	
Data register	P1D	D	0 to 2FFF	R/W	
Link register	P1R	R	0 to 7FF	R/W	
Special register	P1S	S	0 to 3FF	R/W	
File register <sup>*2</sup>	P1B	B	0 to 1FFF	R/W	
Extended input	WEX	EX	0 to 7F	R/W	

\*1 **Parameter-set program No.** in **Link parameter** is an objective of command processing. When the built-in standard link parameters are not set, Program1 is an objective of command processing.

\*2 File register is unavailable when **division mode** is selected from **CPU operation mode**.

**Word Device**

Device Name	Device Type		Address Number Range	Read /Write	Address Numeral System
	Main unit	PLC			
Extended output	WEY	EY	0 to 7F	R/W	
Extended internal relay	WEM	EM	0 to 1FF	R/W	
Extended keep-relay	WEK	EK	0 to FF	R/W	
Extended link relay	WEL	EL	0 to 1FF	R/W	
Extended timer contact* <sup>1</sup>	WET	ET	0 to 7F	R	
Extended counter contact* <sup>1</sup>	WEC	EC	0 to 7F	R	
Extended present value register	EN	EN	0 to 7FF	R	
Extended data register	U	U	0 to 7FFF	R/W	
Extended special register	ES	ES	0 to 7FF	R/W	
Extended setup value register	H	H	0 to 7FF	R/W	
Extended input	WGX	GX	0 to FFF	R/W	
Extended output	WGY	GY	0 to FFF	R/W	
Extended internal relay	WGM	GM	0 to FFF	R/W	
Extended Buffer register 0	EB0	EB	0 to 7FFF	R/W	
Extended Buffer register 1	EB1	EB	8000 to FFFF	R/W	
Extended Buffer register 2	EB2	EB	10000 to 17FFF	R/W	
Extended Buffer register 3	EB3	EB	18000 to 1FFFF	R/W	



The device addresses that can be used vary based on the setting of **CPU operation mode**.

\*1 **Parameter-set program No.** in **Link parameter** is an objective of command processing. When the built-in standard link parameters are not set, Program1 is an objective of command processing.



## 7 SIEMENS

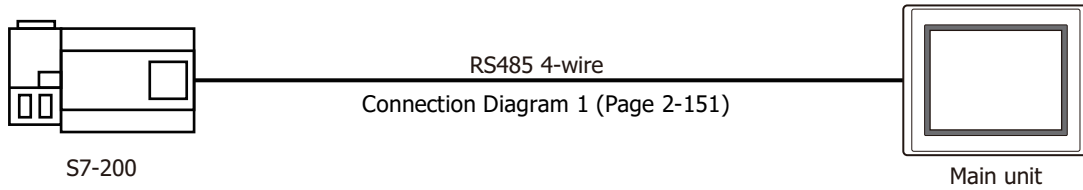
### 7.1 Connection Table

CPU Unit	Link Unit	WindO/I-NV4 Settings		
		Interface	Flow Control	Communication Driver
<b>S7-200</b>				
CPU 212 CPU 214 CPU 215 CPU 216 CPU 221 CPU 222 CPU 224 CPU 224XP CPU 226 CPU 226XM	Not required (Connects to CPU Module)	RS422/485 2-wire Connection Diagram 1 (Page 2-151)	None	S7-200(PPI)
<b>S7-300</b>				
CPU 313 CPU 314 CPU 315 CPU 315-2 DP CPU 316 CPU 318	CP-340 CP-341	RS232C Connection Diagram 2 (Page 2-152)	None	S7-300 3964(R)/RK512
		RS422/485 4-wire Connection Diagram 3 (Page 2-153)		
CPU 313C-2 PtP	Not required (Connects to CPU Module)	RS422/485 2-wire Connection Diagram 4 (Page 2-154)		S7-MPI
<b>S7-400</b>				
CPU 412 CPU 414 CPU 416 CPU 416F-2 CPU 417	CP-440 CP-441	RS232C Connection Diagram 2 (Page 2-152)	None	S7-300 3964(R)/RK512
		RS422/485 4-wire Connection Diagram 3 (Page 2-153)		
<b>S7-1200</b>				
CPU 1211C CPU 1212C CPU 1214C	Not required (Connects to CPU Module)	Ethernet	-	S7-1200(Ethernet)

## 7.2 System Configuration

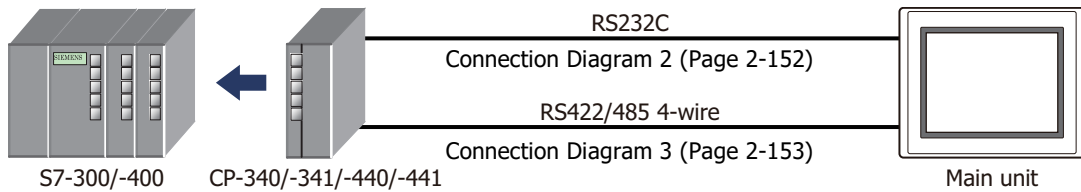
This is the system configuration for the connection of SIEMENS PLCs to the main unit.

- S7-200 (Connects to Serial port of CPU Module)

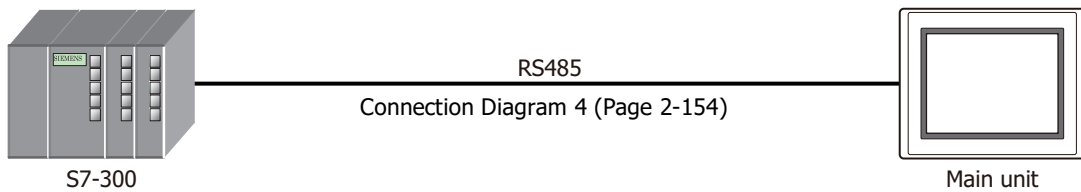


Connects to Serial port of the CPU unit.

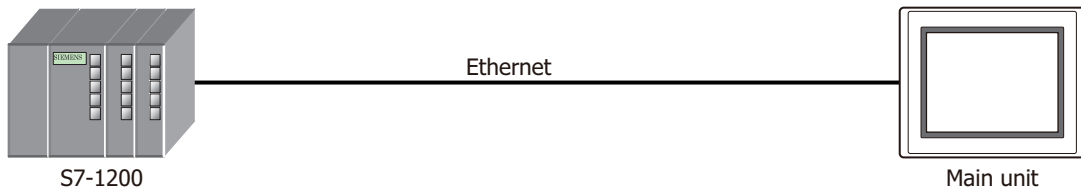
- S7-300/-400 (Connects to CP-340/-341/-440/-441)



- S7-300 (Connects to MPI Interface)



- S7-1200 (Connects to Ethernet port of CPU Module)

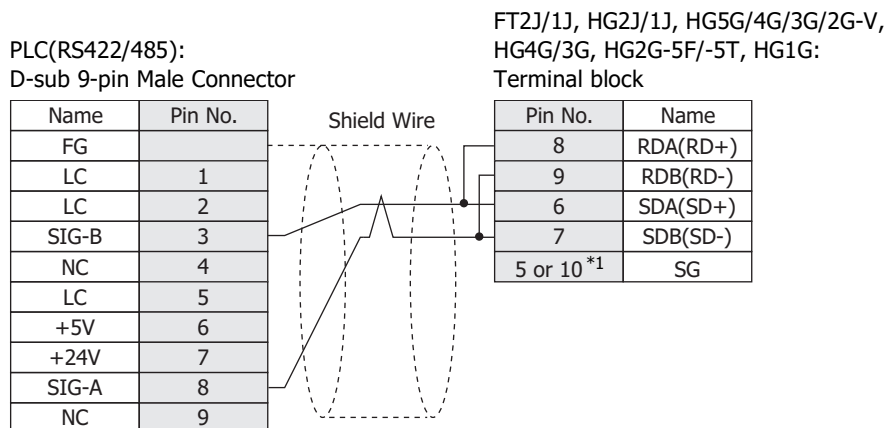


## 7.3 Connection Diagram



The connector types given in the Connection Diagrams are for the unit and not the cable. For details regarding wiring, refer to Chapter 1 "3 Important Points Regarding Wiring" on page 1-4.

### ● Connection Diagram 1: S7-200 (RS485)

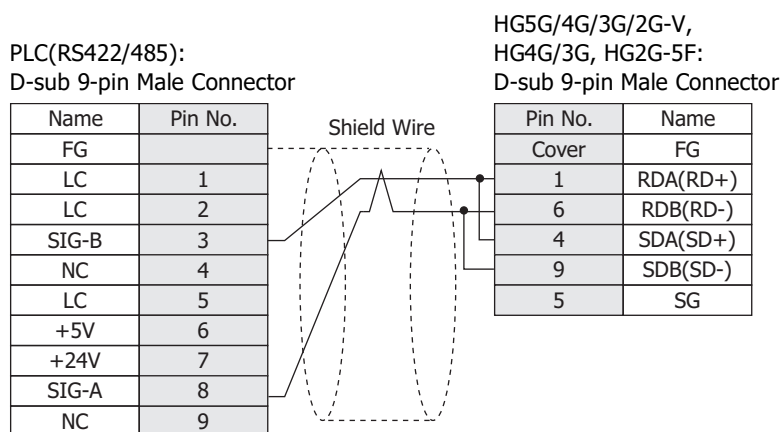


Insert a terminating resistor, if necessary. For the setting method, refer to Chapter 1 "3 Important Points Regarding Wiring" on page 1-4.



It is also possible to connect multiple PLCs and multiple main units on the same network. Short-circuit the RDA and SDA of the main unit, and then connect to SIG-B of PLC. Short-circuit the RDB and SDB of the main unit, and then connect to SIG-A of PLC. Refer to S7-200 manual for restrictions when using multi-drops.

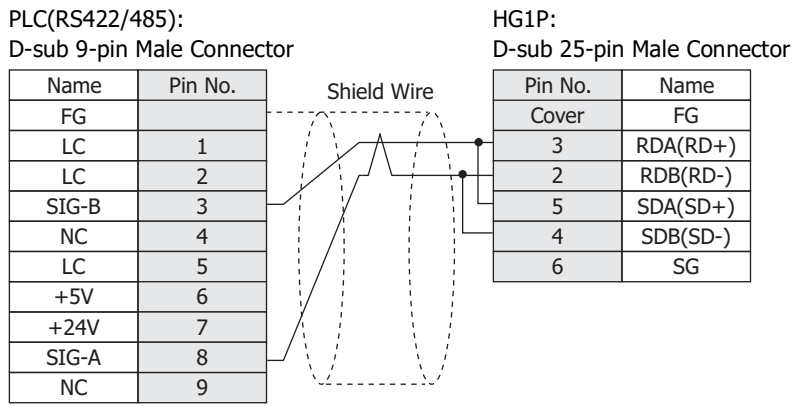
When using multiple PLCs to communicate to multiple main units, it will take extra time to establish communication between PLCs and OIs.



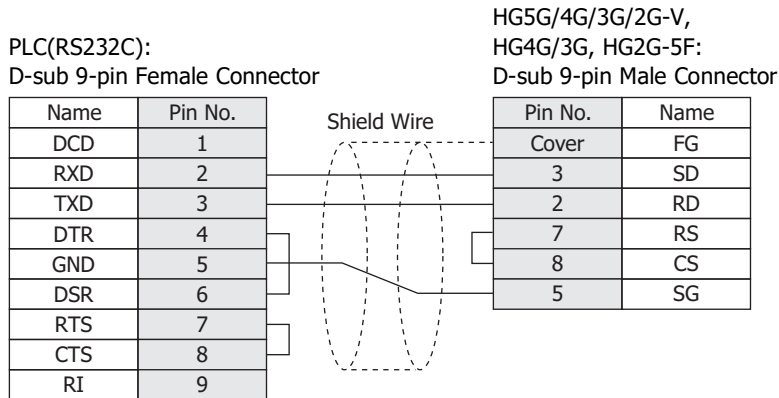
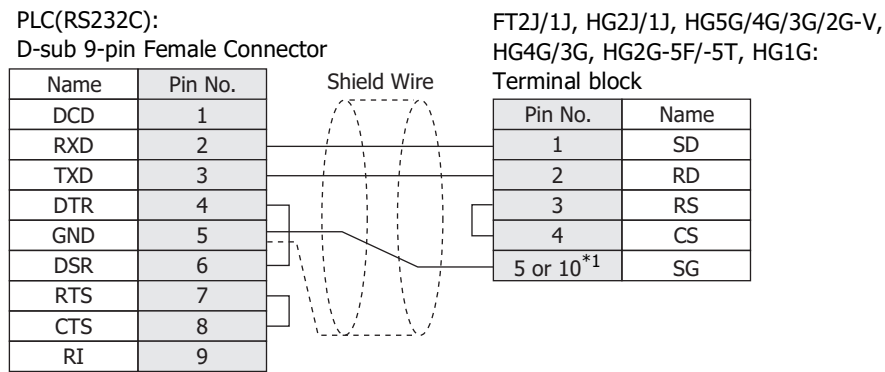
It is also possible to connect multiple PLCs and multiple main units on the same network. Short-circuit the RDA and SDA of the main unit, and then connect to SIG-B of PLC. Short-circuit the RDB and SDB of the main unit, and then connect to SIG-A of PLC. Refer to S7-200 manual for restrictions when using multi-drops.

When using multiple PLCs to communicate to multiple main units, it will take extra time to establish communication between PLCs and OIs.

\*1 FT1J, HG1J only



● Connection Diagram 2: S7-300/-400 + Communication Interface (RS232C)



\*1 FT1J, HG1J only

● Connection Diagram 3: S7-300/-400 + Communication Interface (RS422/485)

PLC(RS422/485):  
Mini DIN 8-pin Connector

Name	Pin No.
T-	2
R-	4
GND	8
T+	9
R+	11

Shield Wire

FT2J/1J, HG2J/1J, HG5G/4G/3G/2G-V,  
HG4G/3G, HG2G-5F/-5T, HG1G:  
Terminal block

Pin No.	Name
8	RDA(RD+)
9	RDB(RD-)
6	SDA(SD+)
7	SDB(SD-)
5 or 10*1	SG



Insert a terminating resistor, if necessary. For the setting method, refer to Chapter 1 "3 Important Points Regarding Wiring" on page 1-4.

PLC(RS422/485):  
Mini DIN 8-pin Connector

Name	Pin No.
T-	2
R-	4
GND	8
T+	9
R+	11

Shield Wire

HG5G/4G/3G/2G-V,  
HG4G/3G, HG2G-5F:  
D-sub 9-pin Male Connector

Pin No.	Name
1	RDA(RD+)
6	RDB(RD-)
4	SDA(SD+)
9	SDB(SD-)
5	SG
Cover	FG

PLC(RS422/485):  
Mini DIN 8-pin Connector

Name	Pin No.
T-	2
R-	4
GND	8
T+	9
R+	11

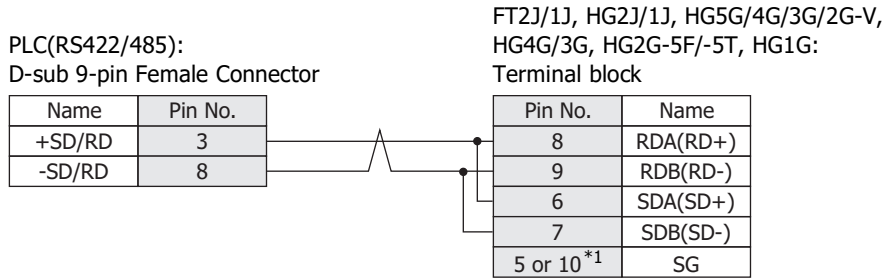
Shield Wire

HG1P:  
D-sub 25-pin Male Connector

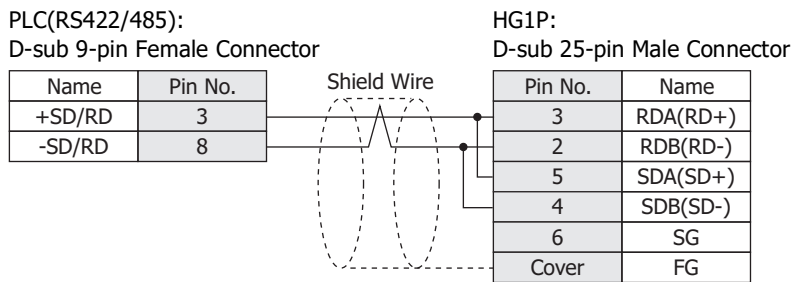
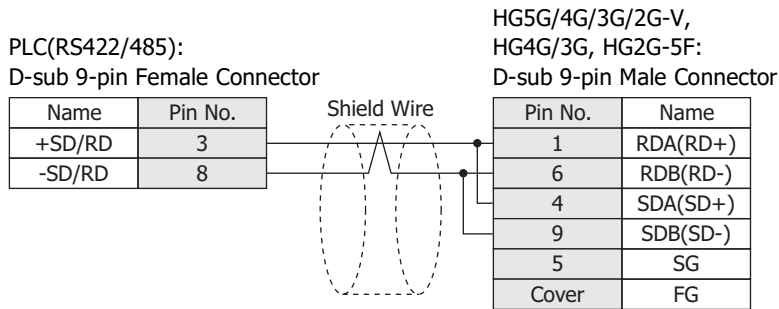
Pin No.	Name
3	RDA(RD+)
2	RDB(RD-)
5	SDA(SD+)
4	SDB(SD-)
6	SG
Cover	FG

\*1 FT1J, HG1J only

● Connection Diagram 4: S7-300 MPI Interface (RS485)



Insert a terminating resistor, if necessary. For the setting method, refer to Chapter 1 "3 Important Points Regarding Wiring" on page 1-4.



\*1 FT1J, HG1J only

## 7.4 Environment Settings

### ● S7-200

Set the following items on the Project Settings dialog box in WindO/I-NV4.

Items	Details
Baud Rate	19200 or 9600 bps Set the value to same value as Baud Rate in WindO/I-NV4.
Data Bits	8 Set the value in WindO/I-NV4.
Stop Bits	1 Set the value in WindO/I-NV4.
Parity	EVEN Set the value in WindO/I-NV4.
PLC Address	1 to 126 (Decimal) (0 to 7e (Hexadecimal)) Set the value to same value as ADDRESS (PLC) in WindO/I-NV4.
Operator Interface Address	1 to 126 (Decimal) (0 to 7e (Hexadecimal)) Set the value as ADDRESS (Operator Interface) in WindO/I-NV4.
Highest Address (Highest Station Address)	1 to 126 (Decimal) (0 to 7e (Hexadecimal)) Set the value to same value as HSA in WindO/I-NV4.



- Set the communication port that communicates with the main unit to PPI/Slave mode. Please make sure to set SMB30 or SMB130 values to 0 in order to select proper communication port settings. Refer to the manual of S7-200 for details.
- We checked the following problems in some versions of S7-200.  
When S7-200 is set as the master and the address of S7-200 is the same as HSA, token path does not work correctly. This problem can be solved by setting HSA as a larger value than Address actually used.  
This problem does not occur when one main unit is connected to one S7-200 PLC.

### ● S7-300/-400 with Communication Module

Items	Details
Interface	RS232C
Baud Rate	38400, 19200, 9600, 4800, 2400 or 1200 bps
Data Bits	8
Stop Bits	1 or 2
Parity	None, Odd or Even
BCC	Enable or Disable
Priority	Low



- The main unit type performs communication based on 3964 (R) and RK512 protocol.
- CP340 is supporting only the 3964 and 3964R protocol. Therefore when using CP340, it is necessary to construct the program to realize RK512 protocol in PLC. This is programmed using the function blocks FB2 and FB3, in SIEMENS PLC.
- CP341 is supporting 3964 (R) and RK512 protocol, please choose RK512 by setup PLC.



The program of CP340 refers to a sample program of WindO/I-NV2. Downloading from our Web site is possible.

● S7-300 with MPI Interface

Items		Details
Interface	Use the same settings as for the main unit.	RS422/485 2-wire
Baud Rate		187500 or 19200 bps
Data Bits		8
Stop Bits		1
Parity		Even
Node Address (Operator Interface)	It should not be duplicated to other node addresses.	1 to 126 (Default: 1)
Node Address (PLC)	Use the same settings as for the main unit.	1 to 126 (Default: 2)
Maximum MPI Address		1 to 126 (Default: 31)

● S7-1200 via Ethernet

Set the following items on the Project Settings dialog box in WindO/I-NV4.

Tab Name	Setting Name	Details
Communication Interface	IP Address	Set the IP address of the main unit.
	Subnet mask	Set the subnet mask of the main unit.
	Default Gateway	Set the default gateway of the main unit.
Communication Driver Network	IP Address	Set the IP address of PLC.
	Port Number	Set the port number of PLC to communicate with the main unit.



To use the S7-1200 CPU's firmware version 4.0 or later, enable "Permit access with PUT/GET communication from remote partner." check box on Protection tab in the PLC properties of TIA Portal software.



## 7.5 Usable Device Addresses

### ● S7-200

#### Bit Device

Device Name	Device Type		Address Number Range	Read /Write	Address Numeral System
	Main unit	PLC			
Variable memory	V	V	0 to 102397	R/W	*1
Process-image-input-register	I	I	0 to 157	R	*1
Process-image-output-register	Q	Q	0 to 157	R/W	*1
Bit memory	M	M	0 to 317	R/W	*1
Special Memory	SM	SM	0 to 5497	R	*1
Timer (Bit)	T	T	0 to 255	R	Decimal
Counter (Bit)	C	C	0 to 255	R	Decimal
Sequential control relay	S	S	0 to 317	R/W	*1



- The device type (V, I, Q, M, SM, S) which include a period in the address number in S7-200 are displayed without a period in WindO/I-NV4. For example, V10.1 is displayed with V101 in WindO/I-NV4.
- AC (Accumulator registers) and L (Local memory) of PLC Devices can not use in the main unit.

#### Word Device

Device Name	Device Type		Address Number Range	Read /Write	Address Numeral System
	Main unit	PLC			
Variable memory	VW	VW	0 to 10238*2	R/W	
Timer (Current Value)	TW	T	0 to 255	R/W	Decimal
Counter (Current Value)	CW	C	0 to 255	R/W	Decimal
Process-image-input-register	IW	IW	0 to 14*2	R	
Process-image-output-register	QW	QW	0 to 14*2	R/W	
Bit memory	MW	MW	0 to 30*2	R/W	
Special Memory	SMW	SMW	0 to 548*2	R	
Analog input	AIW	AIW	0 to 62*2	R	
Analog output	AQW	AQW	0 to 62*2	R/W	
Sequential control relay	SW	SW	0 to 30*2	R/W	
High speed counter	HC	HC	0 to 51	R	*3



- The device type (V, I, Q, M, SM, S) which include a period in the address number in S7-200 are displayed without a period in WindO/I-NV4. For example, V10.1 is displayed with V101 in WindO/I-NV4.
- AC (Accumulator registers) and L (Local memory) of PLC Devices can not use in the main unit.
- The value of High speed counter which is a double word value is divided into two, and is treated as WORD device in the main unit.  
The higher word is written by adding 0 to the lowest digit of the address, the lower word is written by adding 1 to the lowest digit of the address. For example, the lower word of HC1 is written as HC11 in the main unit. If you read in a double word value, The lowest digit of the address write 0. For example, HC2 is written as HC20 in the main unit.

\*1 All digits except the last digit are in decimal and the last digit is in octal.

\*2 Only even number can be specified.

\*3 All digits except the last digit are in decimal and the last digit is in binary.

● S7-300/-400 with Communication Module

When using CP-341/-441, following device addresses can be read and written.

When using CP-340/-440, only a data block (DB) can be read and written.

**Bit Device**

Device Name	Device Type		Address Number Range	Read /Write	Address Numeral System
	Main unit	PLC			
Input (Bit)	I	I	0 to 1277	R	*1
Output (Bit)	Q	Q	0 to 1277	R	*1
Memory (Bit)	M	M	0 to 2557	R	*1

**Word Device**

Device Name	Device Type		Address Number Range	Read /Write	Address Numeral System
	Main unit	PLC			
Input (Word)	IW	IW	0 to 126*2	R	
Output (Word)	QW	QW	0 to 126*2	R	
Bit Memory (Word)	MW	MW	0 to 254*2	R	
Timer cell	T	T	0 to 127	R	Decimal
Counter cell	C	C	0 to 63	R	Decimal
Data Block	DB	DB	1000 to 255510*2*3	R/W	

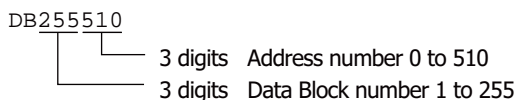


- When the main unit accesses the data block which is not configured in the PLC, communication error occurs. Configure the data blocks by using the PLC software.
- Endian type is different between the main unit and S7-300. Do not use a bit in word device and 32-bit word devices.

\*1 All digits except the last digit are in decimal and the last digit is in octal.

\*2 Only an even number can be specified.

\*3 The first three digits indicate the Data Block number, and the last three digits indicate the address number.



● S7-300 with MPI Interface

**Bit Device**

Device Name	Device Type		Address Number Range	Read /Write	Address Numeral System
	Main unit	PLC			
Input (Bit)	I	I	0 to 10237	R	*1
Output (Bit)	Q	Q	0 to 10237	R/W	*1
Memory (Bit)	M	M	0 to 163837	R/W	*1

**Word Device**

Device Name	Device Type		Address Number Range	Read /Write	Address Numeral System
	Main unit	PLC			
Input (Word)	IW	IW	0 to 1022*2	R	
Output (Word)	QW	QW	0 to 1022*2	R/W	
Bit Memory (Word)	MW	MW	0 to 16382*2	R/W	
Timer cell	T	T	0 to 2047	R	Decimal
Counter cell	C	C	0 to 2047	R	Decimal
Data Block	DB	DB	1000 to 255510*2*3	R/W	

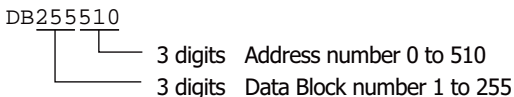


- When the main unit accesses the data block which is not configured in the PLC, communication error occurs. Configure the data blocks by using the PLC software.
- Endian type is different between the main unit and S7-300. Do not use a bit in word device and 32-bit word devices.

\*1 All digits except the last digit are in decimal and the last digit is in octal.

\*2 Only an even number can be specified.

\*3 The first three digits indicate the Data Block number, and the last three digits indicate the address number.



## ● S7-1200

**Bit Device**

Device Name	Device Type		Address Number Range	Read /Write	Address Numeral System
	Main unit	PLC			
Input (Bit)	I	I	0 to 10237	R/W	*1
Output (Bit)	Q	Q	0 to 10237	R/W	*1
Internal Relay (Bit)	M	M	0 to 40957	R/W	*1

**Word Device**

Device Name	Device Type		Address Number Range	Read /Write	Address Numeral System
	Main unit	PLC			
Input (Word)	IW	I	0 to 1022*2	R/W	
Output (Word)	QW	Q	0 to 1022*2	R/W	
Internal Relay (Word)	MW	M	0 to 4094*2	R/W	
Data Block	DB	DB	10000 to 999998*2*3	R/W	



When the main unit accesses the data block which is not configured in the PLC, communication error occurs. Configure the data blocks by using the PLC software.



- Select **Standard** as **Block access** when you create a new Data Block.
- Only Global Data Block can be accessed.
- To use the S7-1200 CPU's firmware version 4.0 or later, disable "Optimized block access" check box on Attributes tab in the DB properties of TIA Portal software.
- Endian type is different between the main unit and S7-300. Do not use a bit in word device and 32-bit word devices.

\*1 All digits except the last digit are in decimal and the last digit is in octal.

\*2 Only an even number can be specified.

\*3 The first two digits indicate the Data Block number, and the last four digits indicate the address number.

### ■ Bit assignments of data block on PLC side

The data block has the following bit assignments on PLC side.

Bit assignments on the main unit	Bit assignments on PLC
DB 010000-00	DB1.DBX1.0
DB 010000-01	DB1.DBX1.1
DB 010000-02	DB1.DBX1.2
...	...
DB 010000-06	DB1.DBX1.6
DB 010000-07	DB1.DBX1.7
DB 010000-08	DB1.DBX0.0
DB 010000-09	DB1.DBX0.1
DB 010000-10	DB1.DBX0.2
...	...
DB 010000-14	DB1.DBX0.6
DB 010000-15	DB1.DBX0.7
DB 010002-00	DB1.DBX3.0
DB 010002-01	DB1.DBX3.1
DB 010002-02	DB1.DBX3.2
...	...
DB 010002-06	DB1.DBX3.6
DB 010002-07	DB1.DBX3.7
DB 010002-08	DB1.DBX2.0
DB 010002-09	DB1.DBX2.1
DB 010002-10	DB1.DBX2.2
...	...
DB 010002-14	DB1.DBX2.6
DB 010002-15	DB1.DBX2.7
...	...

## 8 KEYENCE

### 8.1 Connection Table

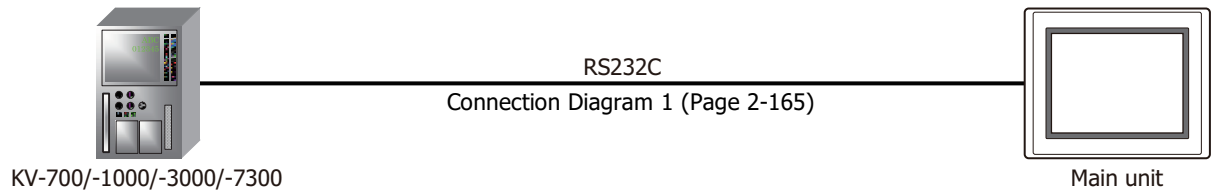
CPU Unit	Link Unit	WindO/I-NV4 Settings		
		Interface	Flow Control	Communication Driver
<b>KV-700/-1000/-3000/-5000</b>				
KV-700 KV-1000 KV-3000 KV-7300	Not required (Connects to CPU Unit)	RS232C Connection Diagram 1 (Page 2-165)	None	KV-3000/5000
KV-700 KV-1000 KV-3000 KV-5000 KV-5500	KV-L20R KV-L20V KV-L21V	RS232C(PORT1) Connection Diagram 2 (Page 2-166)		
		RS232C(PORT2) Connection Diagram 3 (Page 2-166)		
		RS422/485 4-wire Connection Diagram 4 (Page 2-167)		
KV-5000 KV-5500 KV-7500	KV-LE20A KV-LE20V KV-LE21V	RS422/485 2-wire Connection Diagram 5 (Page 2-168)	-	KV (Ethernet)
	Not required (Connects to Ethernet port)	Ethernet		
<b>Conventional KV</b>				
KV-10 KV-16 KV-20 KV-40 KV-80	Not required (Connects to CPU Unit)	RS232C Connection Diagram 1 (Page 2-165)	None	KV/KZ
<b>Visual KV*1</b>				
KV-10 KV-16 KV-24 KV-40	Not required (Connects to CPU Unit)	RS232C Connection Diagram 1 (Page 2-165)	None	KV/KZ
<b>KV Nano</b>				
KV-N14 KV-N24 KV-N40 KV-N60	Not required (Connects to CPU Unit)	RS232C Connection Diagram 1 (Page 2-165)	None	KV-3000/5000
	KV-N10L	RS232C Connection Diagram 2 (Page 2-166)		
	KV-N11L	RS422/485 4-wire Connection Diagram 6 (Page 2-169)		

\*1 The main unit does not support all device addresses of the Visual KV series.

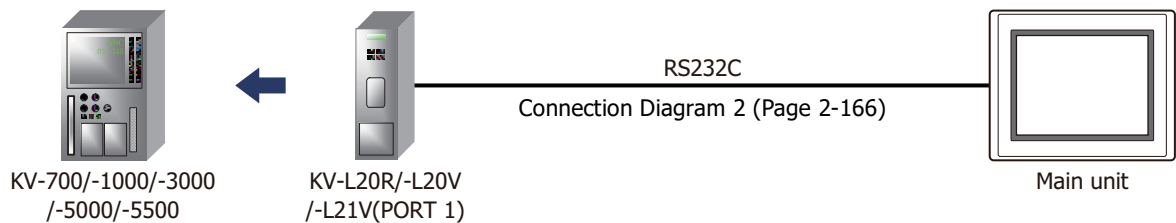
## 8.2 System Configuration

This is the system configuration for the connection of KEYENCE PLCs to the main unit.

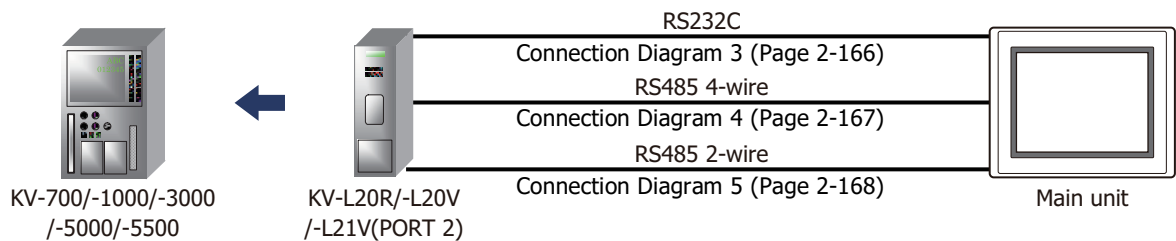
- Connects to CPU Unit Modular Connector for KV-700/-1000/-3000/-7300



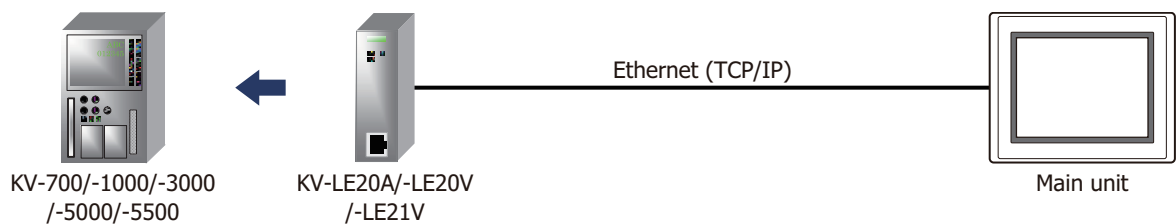
- Connects to D-sub 9-pin Male Connector for KV-L20R/-L20V/-L21V



- Connects to Terminal Block for KV-L20R/-L20V/-L21V

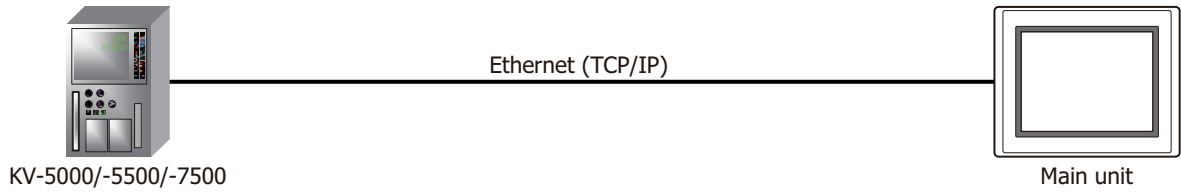


- Connects to Ethernet port for KV-LE20A/-LE20V/-LE21V



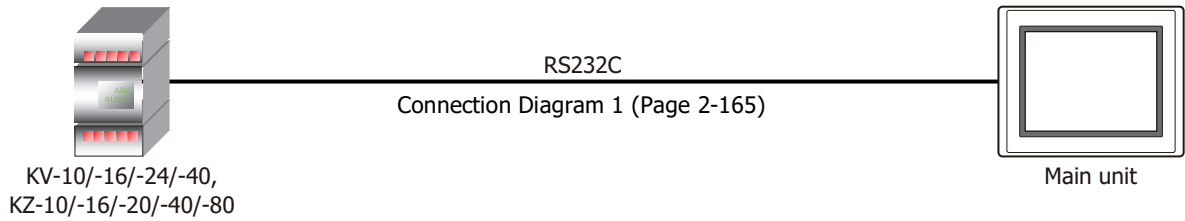
- Use a crossover cable to connect the main unit and PLC directly.
- When using a hub (Ethernet switch), use a cable that can be used with the hub.

- Connects to Ethernet port for KV-5000/-5500/-7500

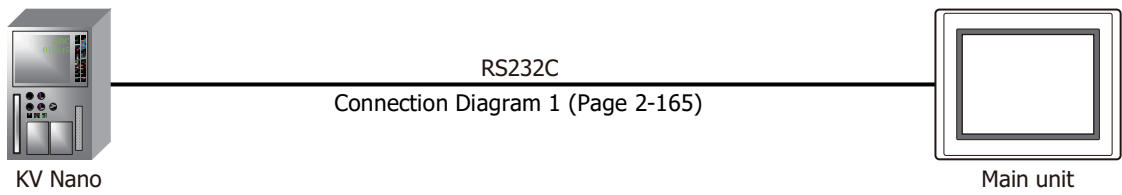


- Use a crossover cable to connect the main unit and PLC directly.
- When using a hub (Ethernet switch), use a cable that can be used with the hub.

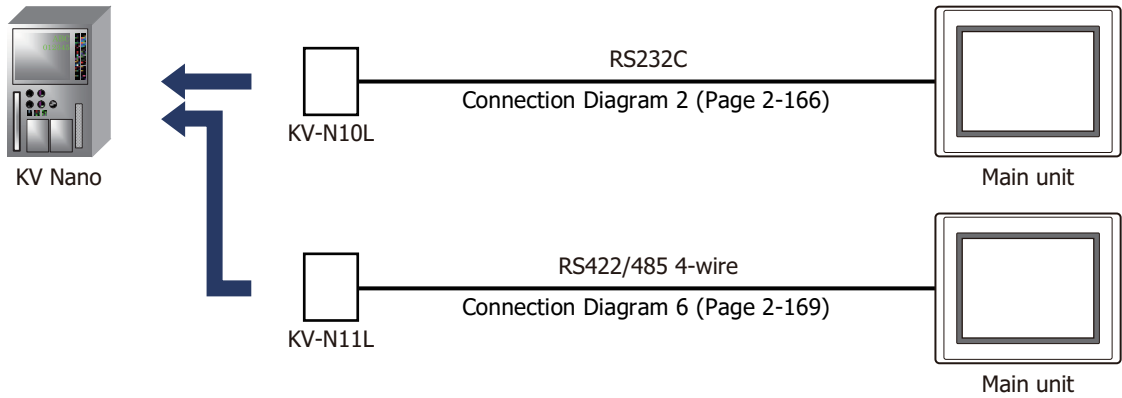
- Connects to CPU Unit Modular Connector for Conventional KV series and Visual KV series



- Connects to CPU Unit Modular Connector for KV Nano



- Connects to KV Nano + KV-N10L/-N11L



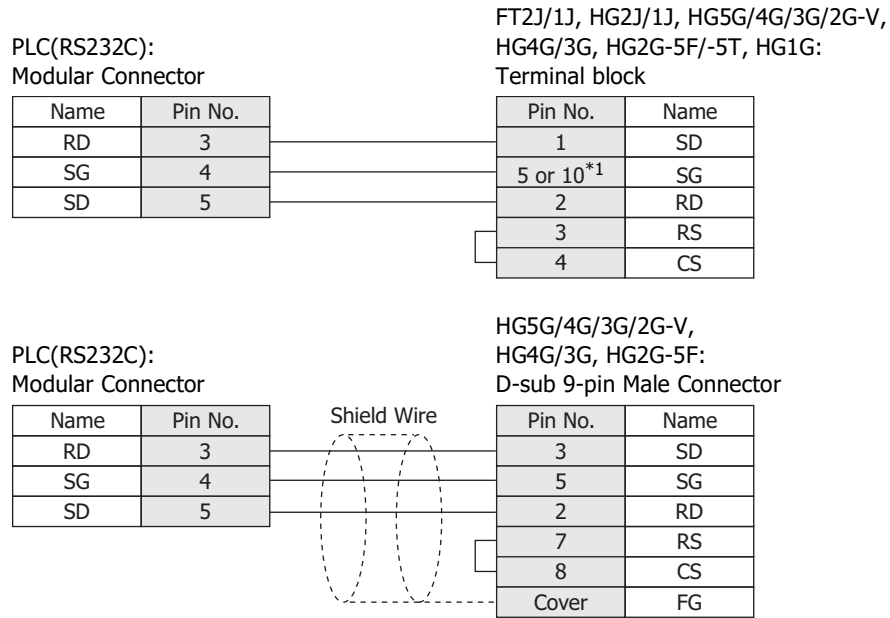


## 8.3 Connection Diagram

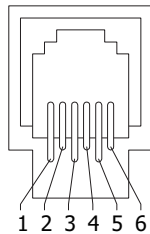


The connector types given in the Connection Diagrams are for the unit and not the cable. For details regarding wiring, refer to Chapter 1 "3 Important Points Regarding Wiring" on page 1-4.

- Connection Diagram 1: KV-700/-1000/-3000/-7300 (RS232C), Conventional KV, Visual KV and KV Nano

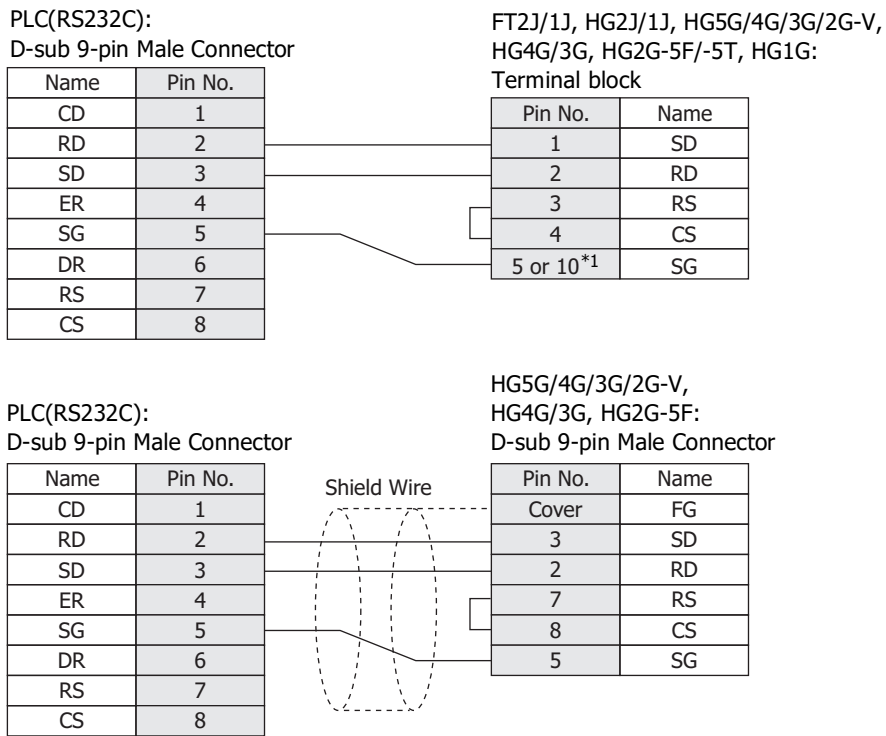


### Connector Pin Layout for PLC side Modular jack

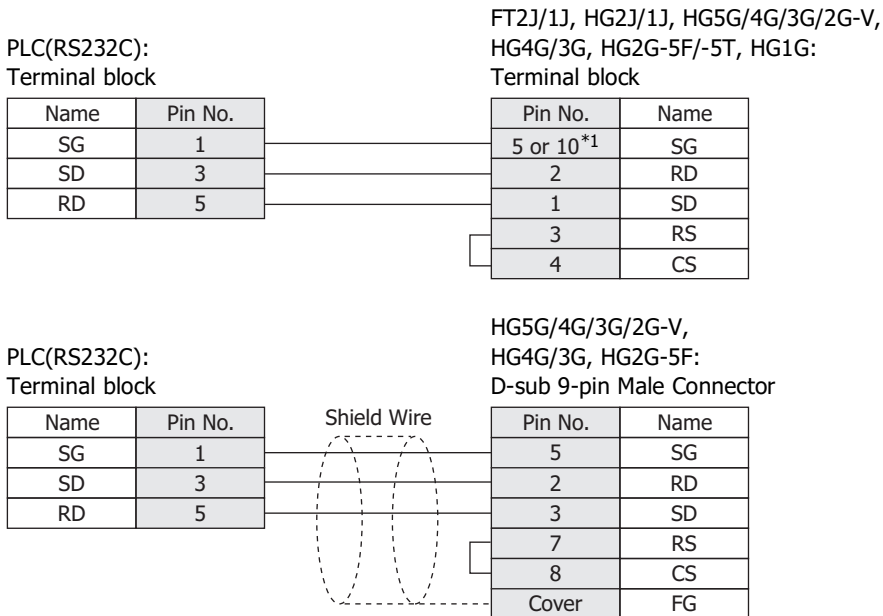


\*1 FT1J, HG1J only

● Connection Diagram 2: KV-700/-1000/-3000/-5000/-5500 + KV-L20R/-L20V/-L21V (PORT1)  
KV Nano + KV-N10L



● Connection Diagram 3: KV-700/-1000/-3000/-5000/-5500 + KV-L20R/-L20V/-L21V(PORT2-  
RS232C)



\*1 FT1J, HG1J only

● Connection Diagram 4: KV-700/-1000/-3000/-5000/-5500 + KV-L20R/-L20V/-L21V (PORT2-RS422/485 4-wire)

PLC(RS422/485):  
Terminal block

Name	Pin No.
SDB(+)	5
SDA(-)	3
RDB(+)	4
RDA(-)	2
SG	1

FT2J/1J, HG2J/1J, HG5G/4G/3G/2G-V,  
HG4G/3G, HG2G-5F/-5T, HG1G:  
Terminal block

Pin No.	Name
8	RDA(RD+)
9	RDB(RD-)
6	SDA(SD+)
7	SDB(SD-)
5 or 10*1	SG



Insert a terminating resistor, if necessary. For the setting method, refer to Chapter 1 "3 Important Points Regarding Wiring" on page 1-4.

PLC(RS422/485):  
Terminal block

Name	Pin No.
SDB(+)	5
SDA(-)	3
RDB(+)	4
RDA(-)	2
SG	1

Shield Wire

HG5G/4G/3G/2G-V,  
HG4G/3G, HG2G-5F:  
D-sub 9-pin Male Connector

Pin No.	Name
1	RDA(RD+)
6	RDB(RD-)
4	SDA(SD+)
9	SDB(SD-)
5	SG
Cover	FG

PLC(RS422/485):  
Terminal block

Name	Pin No.
SDB(+)	5
SDA(-)	3
RDB(+)	4
RDA(-)	2
SG	1

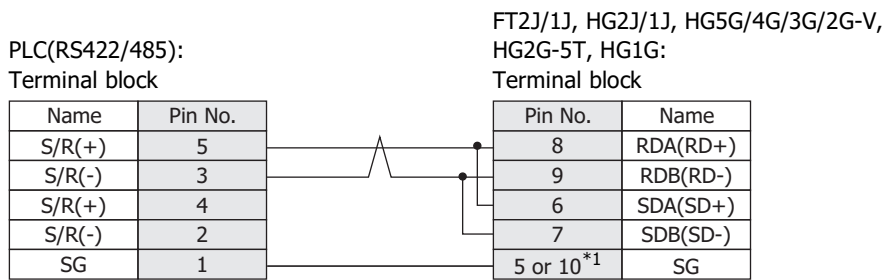
Shield Wire

HG1P:  
D-sub 25-pin Male Connector

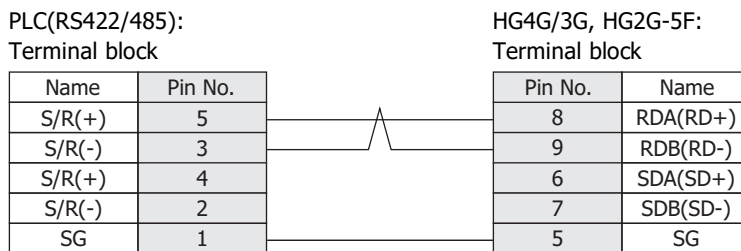
Pin No.	Name
3	RDA(RD+)
2	RDB(RD-)
5	SDA(SD+)
4	SDB(SD-)
6	SG
Cover	FG

\*1 FT1J, HG1J only

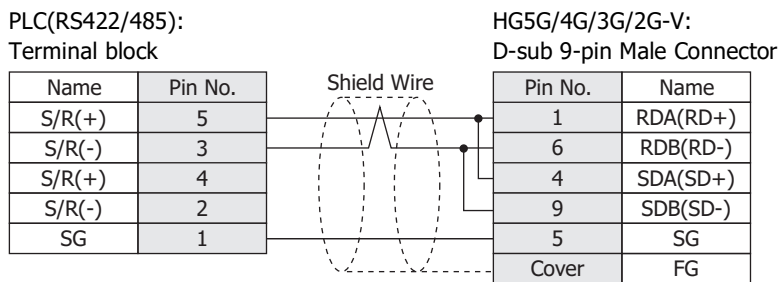
● Connection Diagram 5: KV-700/-1000/-3000/-5000/-5500 + KV-L20R/-L20V/-L21V (PORT2-RS485 2-wire)



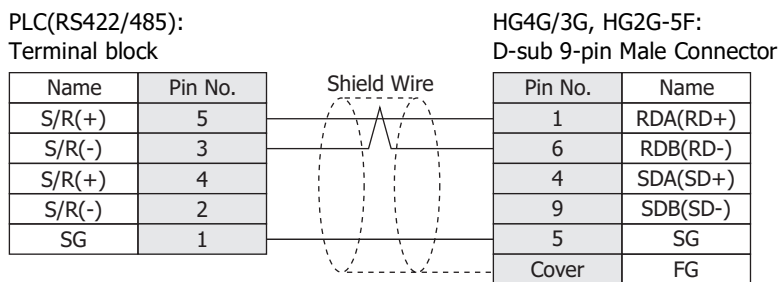
Insert a terminating resistor, if necessary. For the setting method, refer to Chapter 1 "3 Important Points Regarding Wiring" on page 1-4.



Insert a terminating resistor, if necessary. For the setting method, refer to Chapter 1 "3 Important Points Regarding Wiring" on page 1-4.



When connecting COM1 on the HG5G/4G/3G/2G-V to the external device, do not insert terminating resistor to the external device.



When connecting COM1 on the HG4G/3G, HG2G-5F to the external device, do not insert terminating resistor to the external device.

\*1 FT1J, HG1J only

PLC(RS422/485):  
Terminal block

Name	Pin No.
S/R(+)	5
S/R(-)	3
S/R(+)	4
S/R(-)	2
SG	1

Shield Wire

HG1P:  
D-sub 25-pin Male Connector

Pin No.	Name
3	RDA(RD+)
2	RDB(RD-)
5	SDA(SD+)
4	SDB(SD-)
6	SG
Cover	FG

● Connection Diagram 6: KV Nano + KV-N11L

PLC(RS422/485):  
Terminal block

Name	Pin No.
SDB(+)	2
SDA(-)	1
RDB(+)	4
RDA(-)	3
SG	5

FT2J/1J, HG2J/1J, HG5G/4G/3G/2G-V,  
HG4G/3G, HG2G-5F/-5T, HG1G:  
Terminal block

Pin No.	Name
8	RDA(RD+)
9	RDB(RD-)
6	SDA(SD+)
7	SDB(SD-)
5 or 10*1	SG



Insert a terminating resistor, if necessary. For the setting method, refer to Chapter 1 "3 Important Points Regarding Wiring" on page 1-4.

PLC(RS422/485):  
Terminal block

Name	Pin No.
SDB(+)	2
SDA(-)	1
RDB(+)	4
RDA(-)	3
SG	5

Shield Wire

HG5G/4G/3G/2G-V,  
HG4G/3G, HG2G-5F:  
D-sub 9-pin Male Connector

Pin No.	Name
1	RDA(RD+)
6	RDB(RD-)
4	SDA(SD+)
9	SDB(SD-)
5	SG
Cover	FG

PLC(RS422/485):  
Terminal block

Name	Pin No.
SDB(+)	2
SDA(-)	1
RDB(+)	4
RDA(-)	3
SG	5

Shield Wire

HG1P:  
D-sub 25-pin Male Connector

Pin No.	Name
3	RDA(RD+)
2	RDB(RD-)
5	SDA(SD+)
4	SDB(SD-)
6	SG
Cover	FG

\*1 FT1J, HG1J only

## 8.4 Environment Settings

### ● KV-700, Conventional KV series, Visual KV series

Item	Setting
Interface	RS232C
Baud Rate	9600 bps
Data Bits	8
Stop Bits	1
Parity	Even



- For details, refer to the PLC manual.
- When performing communication with the CPU unit for KV-700, check **the connect KV-700/-1000/-3000 on CPU unit** on the **Communication Driver** tab in the Project Settings dialog box in WindO/I-NV4.

### ● KV-1000/-3000

Item	Setting
Interface	RS232C
Baud Rate	115200, 57600, 38400, 19200 or 9600 bps
Data Bits	8
Stop Bits	1
Parity	Even



- See the operation manual of PLC for more information.
- When setting the baud rate to less than 4800 bps, communications was executed at a baud rate of 9600 bps.
- When performing communication with the CPU unit for KV-1000/-3000, check **the connect KV-700/-1000/-3000 on CPU unit** on the **Communication Driver** tab in the **Project Settings** dialog box in WindO/I-NV4.

### ● KV-7300, KV-L20R/-L20V/-L21V, KV Nano, KV-N10L/-N11L

Item	Setting
Interface	RS232C, RS422/485 2-wire or RS422/485 4-wire
Baud Rate	115200, 57600, 38400, 19200, 9600, 4800, 2400 or 1200 bps
Data Bits	8
Stop Bits	1
Parity	Even



- See the operation manual of the PLC for more information.
- When performing communication with a KV-7300, KV Nano or Serial Communication Unit, clear **the Connect KV-700/-1000/-3000 on CPU unit** on the **Communication Driver** tab in the **Project Settings** dialog box in WindO/I-NV4.
- When communicating with the KV-7300 or KV Nano, set the PLC setting port operation mode to the **KV mode (PLC link)**.

● KV-5000/-5500/-7500, KV-LE20A/-LE20V/-LE21V

The main unit settings

Set the following items on the Project Settings dialog box in WindO/I-NV4.

Tab Name	Item	Setting
Communication Interface	IP Address	Set the IP address of the main unit.
	Subnet mask	Set the subnet mask of the main unit.
	Default Gateway	Set the default gateway of the main unit.
Communication Driver	Protocol	TCP/IP, UDP/IP
Communication Driver Network	IP Address	Set the IP address of PLC.
	Port Number	Set the port number of PLC to communicate with the main unit.

PLC Settings

Set the following items on the PLC. Apply the same settings as for the main unit.

Item	Setting
IP Address	Set the IP address to PLC.
PORT	Set the arbitrary port number.



- For details, refer to the PLC manual.
- To communicate with the CPU module of KV-7500, set **Transmission Wait** to 10 ms or more on the **Communication Driver** tab of the **Project Settings** dialog box of WindO/I-NV4.

## 8.5 Usable Device Addresses

- KV-700/-1000/-3000/-5000/-5500, KV Nano (RS233C, RS422/485)

### Bit Device

Device Name	Device Type		Address Number Range	Read /Write	Address Numeral System
	Main unit	PLC			
CPU Input Relay	X	X	0 to 999F	R	
CPU Output Relay	Y	Y	0 to 999F	R/W	
Spec. Internal Relay	M	M	0 to 15999	R/W	
Exp. /Spec. Internal Relay	R	R	0 to 99915	R/W	
Link Relay	B	B	0 to 3FFF	R/W	
Exp Int. Relay	MR	MR	0 to 99915	R/W	
Latch Relay	LR	LR	0 to 99915	R/W	
Control Relay	CR	CR	0 to 3915	R/W	
Work Relay	VB	VB	0 to 3FFF	R/W	
Timer (Relay)	T	T	0 to 3999	R/W	
Counter (Relay)	C	C	0 to 3999	R/W	
High-speed counter comparator (Relay)	CTC	CTC	0 to 3	R/W	



Writing to the High-speed counter comparator (Relay) supports only for a reset.

### Word Device

Device Name	Device Type		Address Number Range	Read /Write	Address Numeral System
	Main unit	PLC			
Data Memory	DM	DM	0 to 65534	R/W	
Exp Data Memory E	EM	EM	0 to 65534	R/W	
Exp Data Memory F	FM	FM	0 to 32767	R/W	
File register	ZF	ZF	0 to 131071	R/W	
Link Register	W	W	0 to 3FFF	R/W	
Temporary Memory	TM	TM	0 to 511	R/W	
Timer (Current Value)*1	TC	TC	0 to 39991	R/W	
Timer (Preset Value)*1	TS	TS	0 to 39991	R/W	
Counter (Current Value)*1	CC	CC	0 to 39991	R/W	
Counter (Preset Value)*1	CS	CS	0 to 39991	R/W	
High-speed counter (Current Value)*1	CTH	CTH	0 to 11	R/W	
High-speed counter comparator (Preset Value)*1	CTCS	CTCS	0 to 31	R/W	
Digital Trimmer*1	AT	AT	0 to 71	R	
Index Register	Z	Z	1 to 12	R/W	
Control Memory	CM	CM	0 to 11998	R/W	
Work Memory	VM	VM	0 to 59999	R/W	

\*1 This is a 32-bit device.



## ● KV-3000/-5000/-5500 (Ethernet)

**Bit Device**

Device Name	Device Type		Address Number Range	Read /Write	Address Numeral System
	Main unit	PLC			
CPU Input Relay	X	X	0 to 999F	R	
CPU Output Relay	Y	Y	0 to 999F	R/W	
Spec. Internal Relay	M	M	0 to 15999	R/W	
Exp. /Spec. Internal Relay	R	R	0 to 99915	R/W	
Link Relay	B	B	0 to 3FFF	R/W	
Exp Int. Relay	MR	MR	0 to 99915	R/W	
Latch Relay	LR	LR	0 to 99915	R/W	
Control Relay	CR	CR	0 to 3915	R/W	
Work Relay	VB	VB	0 to 3FFF	R/W	
Timer (Relay)	T	T	0 to 3999	R/W	
Counter (Relay)	C	C	0 to 3999	R/W	
High-speed counter comparator (Relay)	CTC	CTC	0 to 3	R/W	



Writing to the High-speed counter comparator (Relay) supports only for a reset.

**Word Device**

Device Name	Device Type		Address Number Range	Read /Write	Address Numeral System
	Main unit	PLC			
Data Memory	DM	DM	0 to 65534	R/W	
Exp Data Memory E	EM	EM	0 to 65534	R/W	
Exp Data Memory F	FM	FM	0 to 32767	R/W	
File register	ZF	ZF	0 to 131071	R/W	
Link Register	W	W	0 to 3FFF	R/W	
Temporary Memory	TM	TM	0 to 511	R/W	
Timer (Current Value) <sup>*1</sup>	TC	TC	0 to 39991	R/W	
Timer (Preset Value) <sup>*1</sup>	TS	TS	0 to 39991	R/W	
Counter (Current Value) <sup>*1</sup>	CC	CC	0 to 39991	R/W	
Counte (Preset Value) <sup>*1</sup>	CS	CS	0 to 39991	R/W	
High-speed counter (Current Value) <sup>*1</sup>	CTH	CTH	0 to 11	R/W	
High-speed counter comparator (Preset Value) <sup>*1</sup>	CTCS	CTCS	0 to 31	R/W	
Digital Trimmer <sup>*1</sup>	AT	AT	0 to 71	R	
Index Register	Z	Z	1 to 12	R/W	
Control Memory	CM	CM	0 to 11998	R/W	
Work Memory	VM	VM	0 to 59999	R/W	

\*1 This is a 32-bit device.

● Conventional KV series and Visual KV series

**Bit Device**

Device Name	Device Type		Address Number Range	Read /Write	Address Numeral System
	Main unit	PLC			
Internal Utility Relay	M	-	1000 to 1915, 3000 to 15915	R/W	Decimal
Basic Input Relay	X	-	0 to 215	R	Decimal
Basic Output Relay	Y	-	500 to 615	R/W	Decimal
Extension Input Relay	SX	-	100 to 415	R	Decimal
Extension Output Relay	SY	-	600 to 915	R/W	Decimal
Timer (Contact)	T	T	0 to 249	R	Decimal
Counter (Contact)	C	C	0 to 249	R	Decimal
Special Internal Relay	SM	-	2000 to 2915	R/W	Decimal

**Word Device**

Device Name	Device Type		Address Number Range	Read /Write	Address Numeral System
	Main unit	PLC			
Data Memory	D	DM	0 to 9999	R/W	Decimal
Temporary Memory	TM	TM	0 to 31	R/W	Decimal
Timer (Current Value)	TC	T	0 to 249	R/W	Decimal
Counter (Current Value)	CC	C	0 to 249	R/W	Decimal
Timer (Preset Value)	TS	T	0 to 249	R/W	Decimal
Counter (Preset Value)	CS	C	0 to 249	R/W	Decimal



- Basic Input Relay (X) addresses 100 and higher, as well as Basic Output Relay (Y) addresses 600 and higher, are only available when using the Conventional KV series KV-40/-80 models.
- The main unit does not support all device addresses of the Visual KV series.

## 9 Hitachi

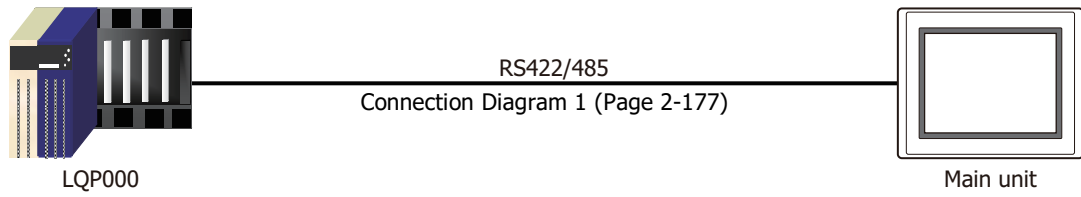
### 9.1 Connection Table

CPU Unit	Link Unit	WindO/I-NV4 Settings		
		Interface	Flow Control	Communication Driver
<b>S10mini</b>				
S10mini	Not required (Connects to CPU Unit)	RS422/485 4-wire Connection Diagram 1 (Page 2-177)	None	S10mini
	LQE160	RS232C Connection Diagram 2 (Page 2-178)		
	LQE165	RS422/485 4-wire Connection Diagram 3 (Page 2-179)		
	LQE560	RS232C Connection Diagram 2 (Page 2-178)		
	LQE565	RS422/485 4-wire Connection Diagram 3 (Page 2-179)		
<b>S10V</b>				
LQP510	Not required (Connects to CPU Unit)	RS232C Connection Diagram 2 (Page 2-178)	None	S10mini
		RS422/485 4-wire Connection Diagram 3 (Page 2-179)		
	LQE560	RS232C Connection Diagram 2 (Page 2-178)		
	LQE565	RS422/485 4-wire Connection Diagram 3 (Page 2-179)		

## 9.2 System Configuration

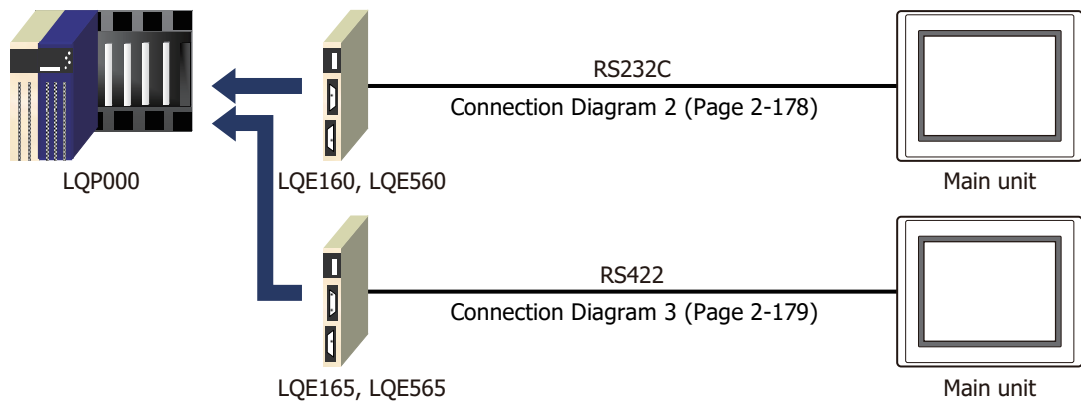
This is the system configuration for the connection of Hitachi PLC to the main unit.

- S10mini (LQP000) (Connects to RS232C port on CPU Unit)

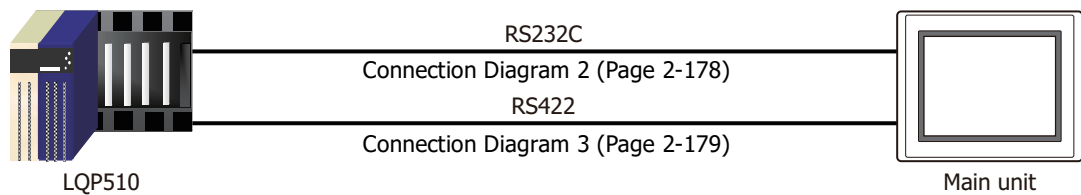


It connects with RS232C port of a CPU unit.

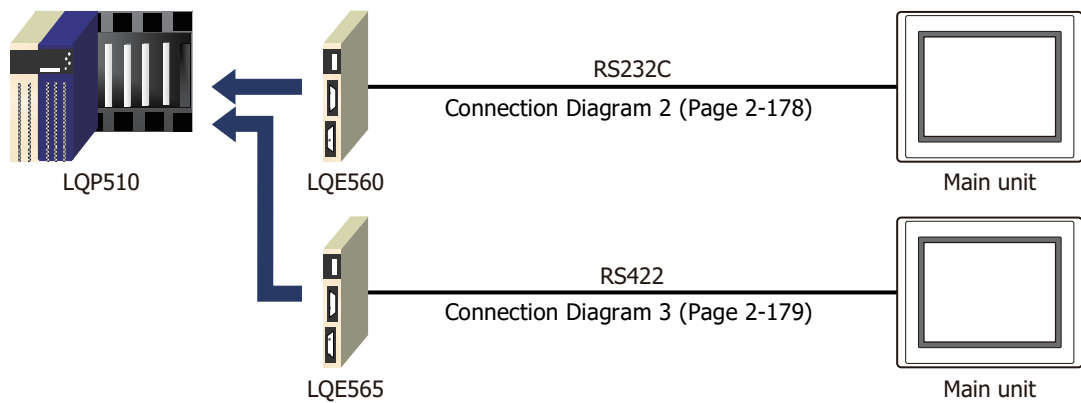
- S10mini (Connects to Communication Module)



- S10V (Connects to Communication port on CPU Unit)



- S10V (Connects to Communication Module)

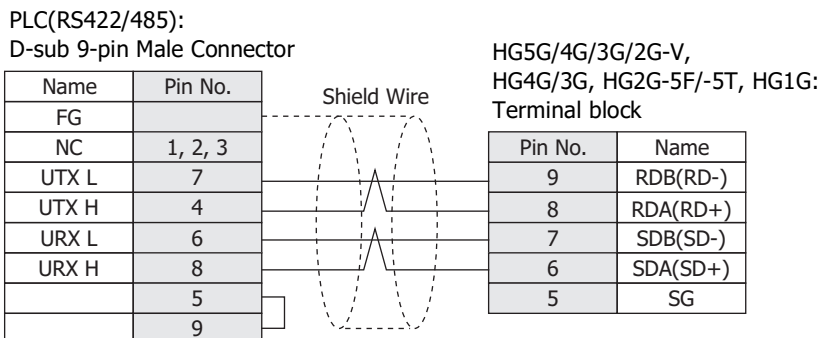


### 9.3 Connection Diagram



The connector types given in the Connection Diagrams are for the unit and not the cable. For details regarding wiring, refer to Chapter 1 "3 Important Points Regarding Wiring" on page 1-4.

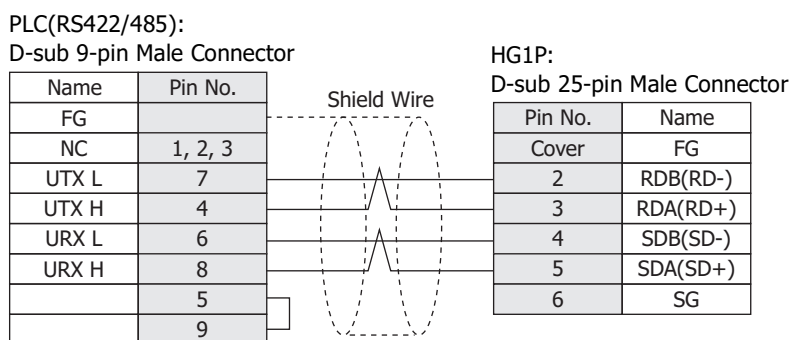
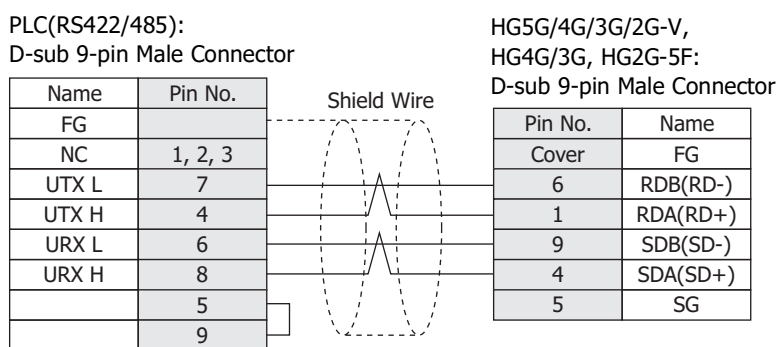
● Connection Diagram 1: S10mini (RS422/485)



Configure the **Flow Control** to **None**, because the terminal block of the HG5G/4G/3G/2G-V, HG5G/4G/3G/2G-V, HG4G/3G, HG2G-5F/-5T, HG1G doesn't have control lines.



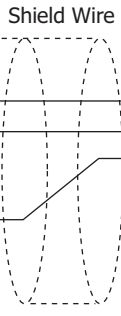
Insert a terminating resistor, if necessary. For the setting method, refer to Chapter 1 "3 Important Points Regarding Wiring" on page 1-4.



● Connection Diagram 2: S10mini, S10V (RS232C)

PLC(RS232C):  
D-sub 9-pin Male Connector

Name	Pin No.
FG	
NC	9
RD	2
SD	3
ER	4
DR	6
SG	5
RS	7
CS	8
CD	1

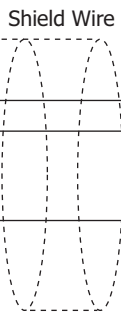


HG5G/4G/3G/2G-V,  
HG4G/3G, HG2G-5F/-5T, HG1G:  
Terminal block

Pin No.	Name
3	RS
4	CS
1	SD
2	RD
5	SG

PLC(RS232C):  
D-sub 9-pin Male Connector

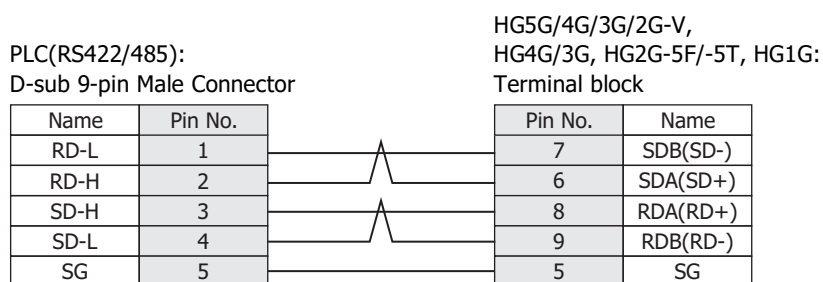
Name	Pin No.
FG	
NC	9
RD	2
SD	3
ER	4
DR	6
SG	5
RS	7
CS	8
CD	1



HG5G/4G/3G/2G-V,  
HG4G/3G, HG2G-5F:  
D-sub 9-pin Male Connector

Pin No.	Name
Cover	FG
3	SD
2	RD
7	RS
8	CS
5	SG

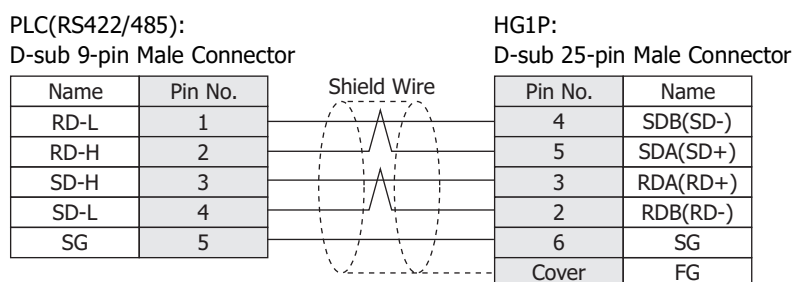
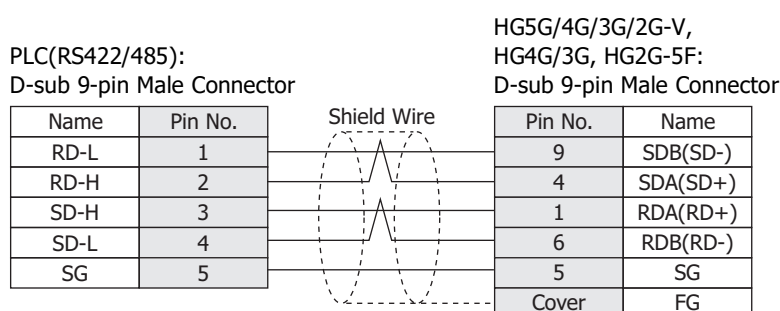
### ● Connection Diagram 3: S10V (RS422/485)



Configure the **Flow Control** to **None**, because the terminal block of the HG5G/4G/3G/2G-V, HG4G/3G, HG2G-5F/-5T, HG1G doesn't have control lines.



Insert a terminating resistor, if necessary. For the setting method, refer to Chapter 1 "3 Important Points Regarding Wiring" on page 1-4.



## 9.4 Environment Settings

### ● S10mini, S10V

Item	Setting
Interface	RS232C or RS422/485 4-wire
Baud Rate	19200 bps
Data Bits	8
Stop Bits	1
Parity	Odd



For details, refer to the PLC manual.

## 9.5 Usable Device Addresses

### Bit Device

Device Name	Device Type		Address Number Range	Read /Write	Address Numeral System
	Main unit	PLC			
Input Relay	X	X	0 to 7FF	R/W	
Output Relay	Y	Y	0 to 7FF	R/W	
Internal Relay	R	R	0 to 7FF	R/W	
Global Link	G	G	0 to FFF	R/W	
System Register	S	S	0 to BFF	R	
E Word	BEW	EW	400 to FFF	R/W	
Event	E	E	0 to FF	R/W	
Keep Relay	K	K	0 to 1FF	R/W	
On-Delay Timer (Contact)	T	T	0 to 1FF	R	
One Shot Timer (Contact)	U	U	0 to 7F	R	
Up/Down Counter (Contact)	C	C	0 to 3F	R	

### Word Device

Device Name	Device Type		Address Number Range	Read /Write	Address Numeral System
	Main unit	PLC			
Input Relay	XW	X	0 to 7F0	R/W	
Output Relay	YW	Y	0 to 7F0	R/W	
Internal Relay	RW	R	0 to 7F0	R/W	
Global Link	GW	G	0 to FF0	R/W	
System Register	SW	S	0 to BF0	R	
E Word	EW	EW	400 to FF0	R/W	
Event	WE	E	0 to F0	R/W	
Keep Relay	KW	K	0 to 1F0	R/W	
On-Delay Timer (Contact)	TW	T	0 to 1F0	R	
One Shot Timer (Contact)	UW	U	0 to 70	R	
Up/Down Counter (Contact)	CW	C	0 to 30	R	
On-Delay Timer (Elapsed Value)	TC	T	0 to 1FF	R	
On-Delay Timer (Setup Value)	TS	T	0 to 1FF	R/W	
One Shot Timer (Elapsed Value)	UC	U	0 to 7F	R	
One Shot Timer (Setup Value)	US	U	0 to 7F	R/W	
Up/Down Counter (Elapsed Value)	CC	C	0 to 3F	R	
Up/Down Counter (Setup Value)	CS	C	0 to 3F	R/W	
Work Register	FW	FW	0 to BFF	R/W	
Data Register	DW	DW	0 to FFF	R/W	

When you use word device as bit device, the bit position reverses the order, as shown in the example.

Example: Specified address	Read address
DW 0-0	DW 0-15
DW 0-1	DW 0-14
:	:
DW 0-14	DW 0-1
DW 0-15	DW 0-0



## 10 GE Fanuc Automation

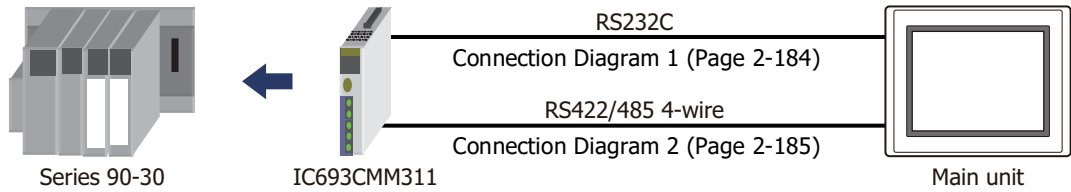
### 10.1 Connection Table

CPU Unit	Link Unit	WindO/I-NV4 Settings		
		Interface	Flow Control	Communication Driver
<b>Series90-30</b>				
IC693CPU331 IC693CPU341 IC693CPU350 IC693CPU351 IC693CPU352 IC693CPU360 IC693CPU363 IC693CPU364 IC693CPU374	IC693CMM311	RS232C Connection Diagram 1 (Page 2-184)	None	Series 90(SNP-X)
		RS422/485 4-wire Connection Diagram 2 (Page 2-185)		
IC693CPU311 IC693CPU313 IC693CPU323 IC693CPU331 IC693CPU341 IC693CPU350 IC693CPU351 IC693CPU352 IC693CPU360 IC693CPU363 IC693CPU364 IC693CPE374	Not required (Connects to CPU (Power Supply) Unit)	RS422/485 4-wire Connection Diagram 3 (Page 2-186)	None	Series 90(SNP-X)
<b>VersaMax</b>				
Nano	Not required (Connects to CPU Unit)	RS232C Connection Diagram 4 (Page 2-187)	None	Series 90(SNP-X)
Micro (14 point)				
Micro (23 point) Micro (28 point)		RS422/485 4-wire Connection Diagram 3 (Page 2-186)		
<b>Rx3i Series</b>				
IC695CPE305	Not required (Connects to CPU Unit)	RS232C Connection Diagram 5 (Page 2-187)	None	SNP
IC695CPE310 IC695CPU310 IC695CMU310 IC695CPU315 IC695CPU320 IC695CRU320 IC695CRU320QP	Not required (Connects to CPU Unit)			
IC695CPE305 IC695CPE310 IC695CPU310 IC695CMU310 IC695CPU315 IC695CPU320 IC695CRU320 IC695CRU320QP IC695CPE330 IC695CPK330	IC695NIU001	RS232C Connection Diagram 6 (Page 2-188)		

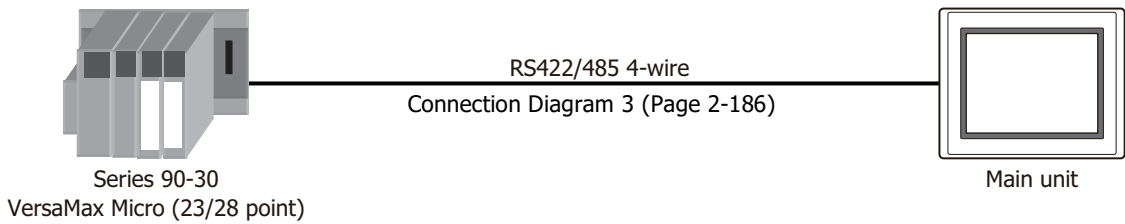
## 10.2 System Configuration

This is the system configuration for the connection of GE Fanuc PLCs to the main unit screens.

- Series 90-30 (Connects to Communication Coprocessor Module (CMM))

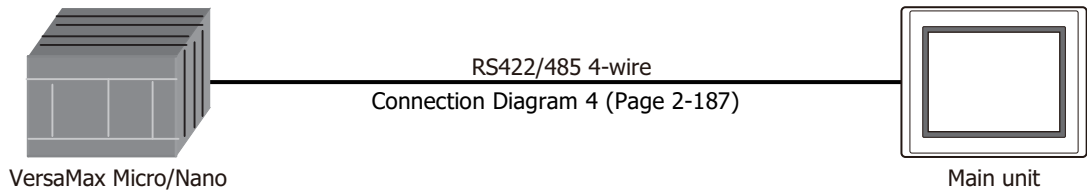


- Series 90-30, VersaMax Micro (Connects to Serial port on CPU Unit)



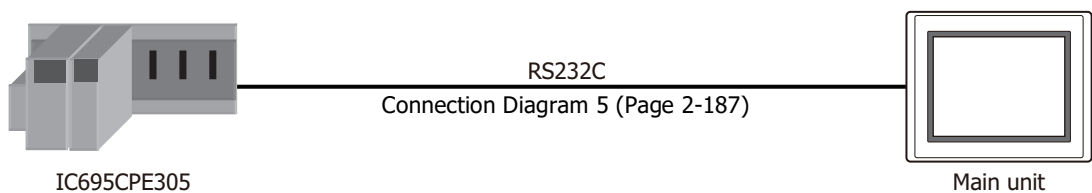
Connects to Serial port on Series 90-30 PLC Power Supply.  
Connects to Serial port 2 on VersaMax Micro PLC.

- VersaMax Micro/Nano (Connects to Serial Port 1)

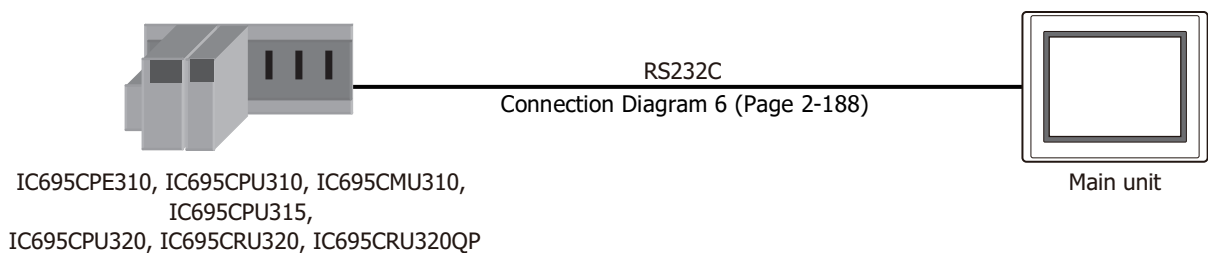


Connects to Serial port 1(RS232C) on VersaMax Micro/Nano PLC.

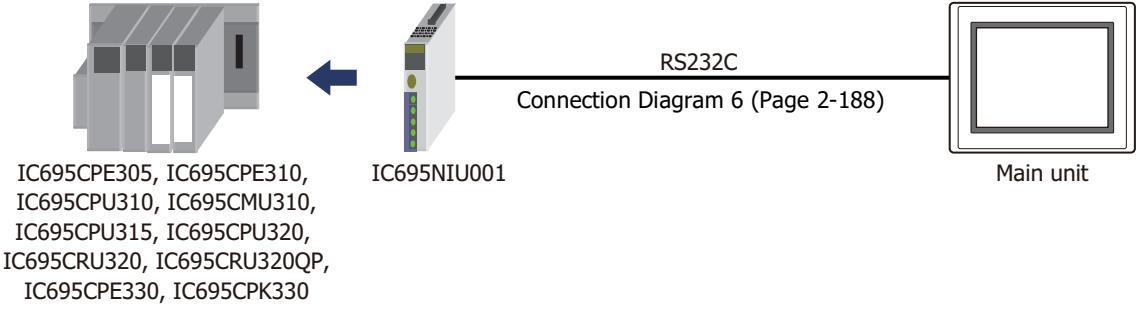
- IC695CPE305 (Connects to Serial port)



- Rx3i Series (Connects to Serial Port 1)



● Rx3i Series (Connects to Communication Coprocessor Module (IC695NIU001))

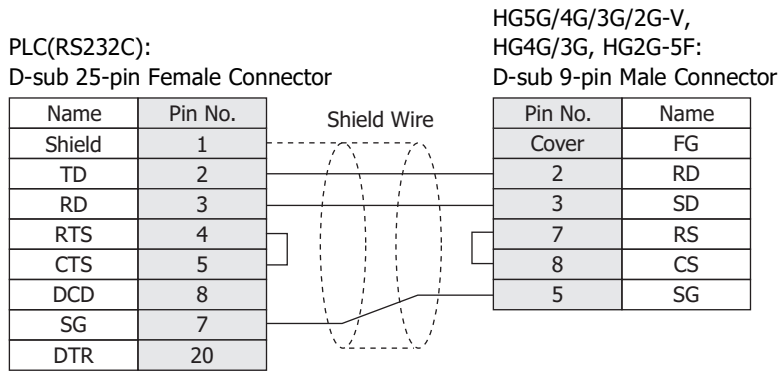
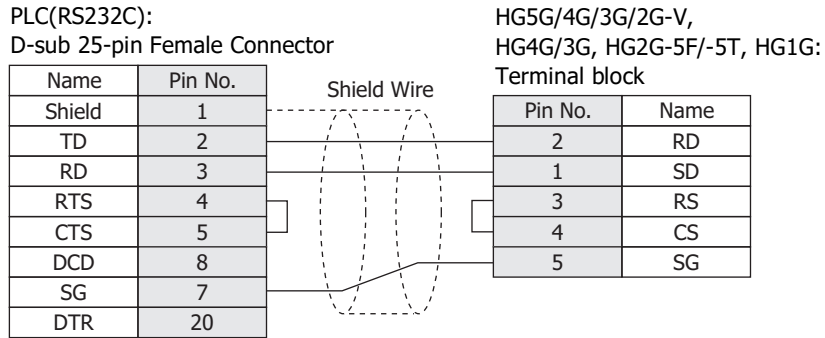


### 10.3 Connection Diagram



The connector types given in the Connection Diagrams are for the unit and not the cable. For details regarding wiring, refer to Chapter 1 "3 Important Points Regarding Wiring" on page 1-4.

● Connection Diagram 1: Series 90-30 Communication Coprocessor Module (CMM) (RS232C)



● Connection Diagram 2: Series 90-30 Communication Coprocessor Module (CMM) (RS422/485)

PLC(RS422/485):

D-sub 25-pin Female Connector

Name	Pin No.
Shield	1
RD(TRM)	24
SD(B)	21
SD(A)	9
RD(B)	25
RD(A)	13
RTS(A)	10
CTS(A)	11
RTS(B)	22
CTS(B)	23

Shield Wire

HG5G/4G/3G/2G-V,  
HG4G/3G, HG2G-5F/-5T, HG1G:  
Terminal block

Pin No.	Name
8	RDA(RD+)
9	RDB(RD-)
6	SDA(SD+)
7	SDB(SD-)
5	SG



Configure the **Flow Control** to **None**, because the terminal block of the HG5G/4G/3G/2G-V, HG4G/3G, HG2G-5F/-5T, HG1G doesn't have control lines.



Insert a terminating resistor, if necessary. For the setting method, refer to Chapter 1 "3 Important Points Regarding Wiring" on page 1-4.

PLC(RS422/485):

D-sub 25-pin Female Connector

Name	Pin No.
Shield	1
RD(TRM)	24
SD(B)	21
SD(A)	9
RD(B)	25
RD(A)	13
RTS(A)	10
CTS(A)	11
RTS(B)	22
CTS(B)	23

Shield Wire

HG5G/4G/3G/2G-V,  
HG4G/3G, HG2G-5F:

D-sub 9-pin Male Connector

Pin No.	Name
Cover	FG
1	RDA(RD+)
6	RDB(RD-)
4	SDA(SD+)
9	SDB(SD-)
5	SG

PLC(RS422/485):

D-sub 25-pin Female Connector

Name	Pin No.
Shield	1
RD(TRM)	24
SD(B)	21
SD(A)	9
RD(B)	25
RD(A)	13
RTS(A)	10
CTS(A)	11
RTS(B)	22
CTS(B)	23

Shield Wire

HG1P:

D-sub 25-pin Male Connector

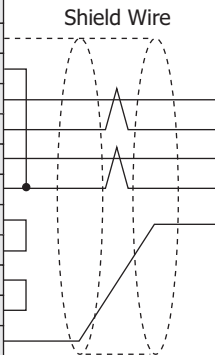
Pin No.	Name
Cover	FG
3	RDA(RD+)
2	RDB(RD-)
5	SDA(SD+)
4	SDB(SD-)
6	SG

● Connection Diagram 3: PLC (RS485)

PLC(RS422/485):

D-sub 15-pin Female Connector

Name	Pin No.
Shield	1
RD(TRM)	9
SD(B)	13
SD(A)	12
RD(B)	11
RD(A)	10
RTS(A)	6
CTS(A)	15
RTS(B)	14
CTS(B)	8
SG	7



HG5G/4G/3G/2G-V,  
HG4G/3G, HG2G-5F/-5T, HG1G:  
Terminal block

Pin No.	Name
8	RDA(RD+)
9	RDB(RD-)
6	SDA(SD+)
7	SDB(SD-)
5	SG



Configure the **Flow Control** to **None**, because the terminal block of the HG5G/4G/3G/2G-V, HG4G/3G, HG2G-5F/-5T, HG1G doesn't have control lines.

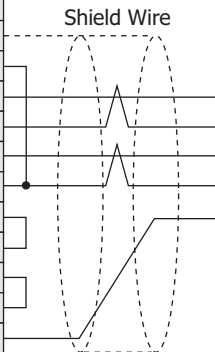


Insert a terminating resistor, if necessary. For the setting method, refer to Chapter 1 "3 Important Points Regarding Wiring" on page 1-4.

PLC(RS422/485):

D-sub 15-pin Female Connector

Name	Pin No.
Shield	1
RD(TRM)	9
SD(B)	13
SD(A)	12
RD(B)	11
RD(A)	10
RTS(A)	6
CTS(A)	15
RTS(B)	14
CTS(B)	8
SG	7



HG5G/4G/3G/2G-V,  
HG4G/3G, HG2G-5F:

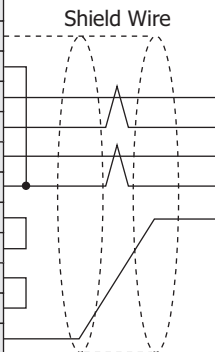
D-sub 9-pin Male Connector

Pin No.	Name
Cover	FG
1	RDA(RD+)
6	RDB(RD-)
4	SDA(SD+)
9	SDB(SD-)
5	SG

PLC(RS422/485):

D-sub 15-pin Female Connector

Name	Pin No.
Shield	1
RD(TRM)	9
SD(B)	13
SD(A)	12
RD(B)	11
RD(A)	10
RTS(A)	6
CTS(A)	15
RTS(B)	14
CTS(B)	8
SG	7

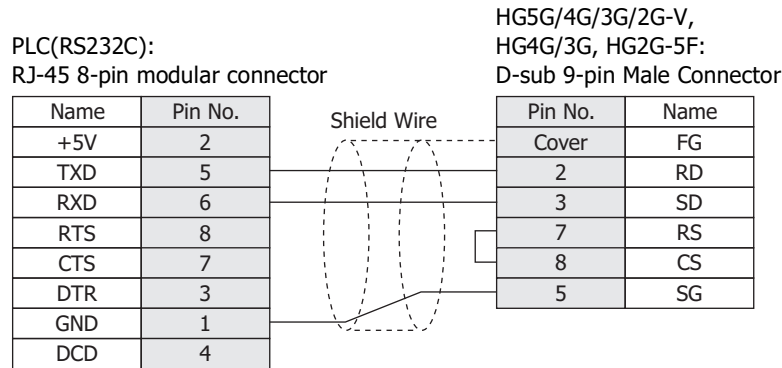
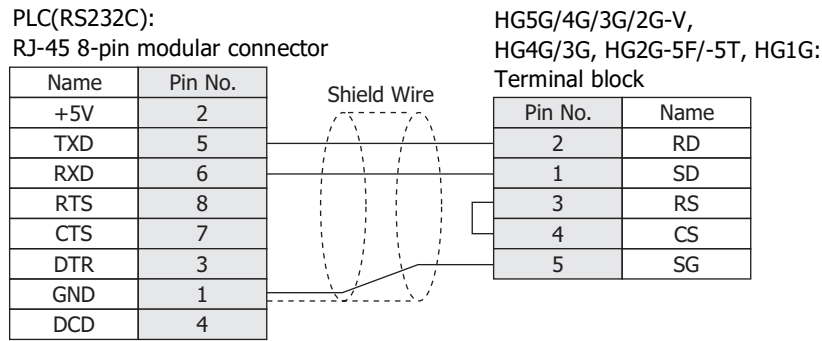


HG1P:

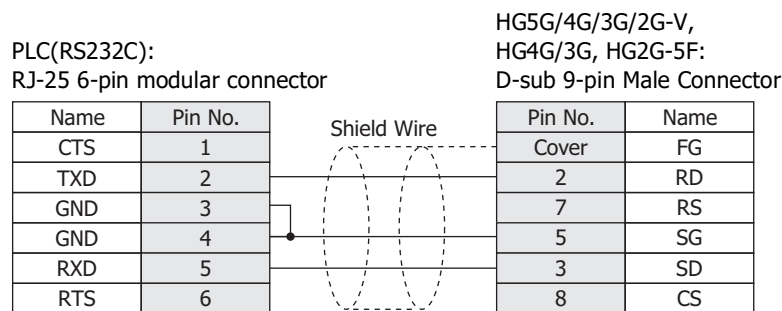
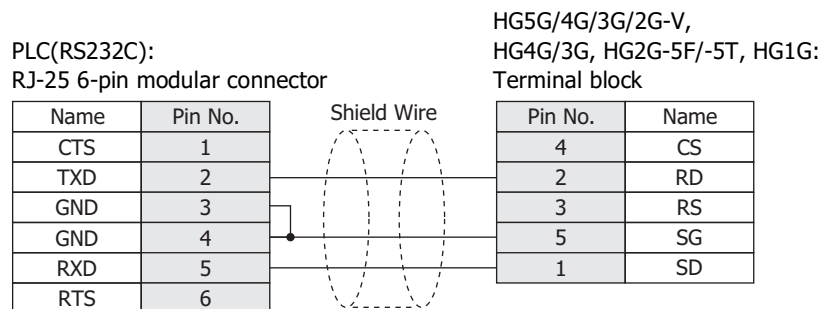
D-sub 25-pin Male Connector

Pin No.	Name
Cover	FG
3	RDA(RD+)
2	RDB(RD-)
5	SDA(SD+)
4	SDB(SD-)
6	SG

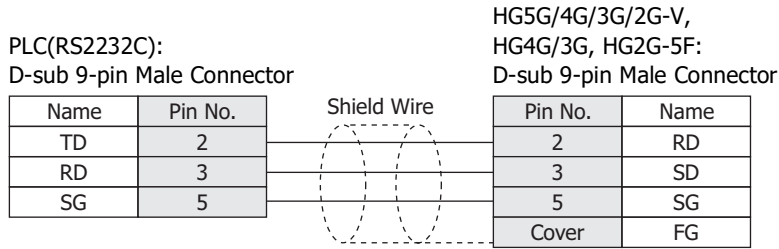
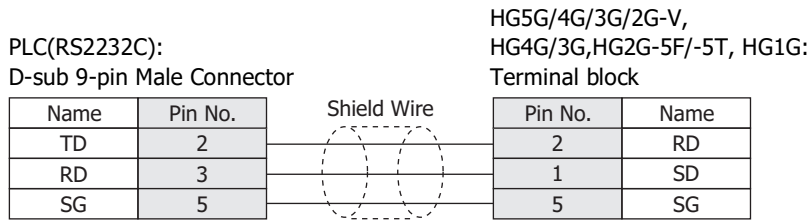
● Connection Diagram 4: PLC (RS232C)



● Connection Diagram 5: PLC (RS232C)



● Connection Diagram 6: PLC (RS232C)





## 10.4 Environment Settings

### ● Series 90-30 Communication Coprocessor Module (CMM)

Item		Setting
Interface	Set to the same setting as the main unit	RS232C or RS485 4-wire
Baud Rate		19200, 9600, 4800, 2400 or 1200 bps
Data Bits		8
Stop Bits		1 or 2
Parity		None, Odd or Even
Flow Control		None
Configuration Mode		SNP Only
SNP Enable		Yes
SNP Mode		Slave



- Do not set SNP ID for the PLC. If you set it, the main unit will not communicate with PLC.
- For details, refer to the manual of Series 90-30 PLC.

### ● Series 90-30 CPU (Power Supply) Unit

Item		Setting
Interface	Set to the same setting as the main unit	RS485 4-wire
Baud Rate		19200, 9600, 4800, 2400 or 1200 bps
Data Bits		8
Stop Bits		1 or 2
Parity		None, Odd or Even



- Do not set SNP ID for the PLC. If you set it, the main unit will not communicate with PLC.
- For details, refer to the manual of Series 90-30 PLC.

### ● VersaMax Micro/Nano

Item		Setting
Interface	Set to the same setting as the main unit	RS232C (Port 1) or RS485 4-wire (Port 2)
Baud Rate		19200, 9600, 4800, 2400 or 1200 bps
Data Bits		8
Stop Bits		1 or 2
Parity		None, Odd or Even
Port Mode		SNP
Port Type		Slave



- Do not set SNP ID for the PLC. If you set it, the main unit will not communicate with PLC.
- For details, refer to the manual of Series VersaMax Micro/Nano.

## ● Rx3i Series

### The main unit settings

Set the following items on the Project Settings dialog box in WindO/I-NV4.

Tab Name	Item	Setting
Communication Interface	Baud Rate <sup>*1</sup>	115200, 57600, 38400, 19200, 9600, 4800, 2400 or 1200 bps
	Data Bits	8 (Fixed)
	Stop Bits	1 or 2
	Parity	None, Odd or Even
	Flow Control	None
	Serial Interface	RS232C
Communication Driver	SNP ID	0

### PLC Settings

Item	Setting
Port Mode	SNP Slave
Baud Rate <sup>*1</sup>	Set to the same setting as the main unit
Parity	
Stop Bits	
Time Out	



- Do not set SNP ID for the PLC. If you set it, the main unit will not communicate with PLC.
- For details, refer to the manual of Rx3i Series PLC.

\*1 The communication speed settings varies based on the PLC model. For details, refer to the PLC manual.

## 10.5 Usable Device Addresses

The types of devices supported by the main unit and their ranges are shown below.

### Bit Device

Device Name	Device Type		Address Number Range	Read /Write	Address Numeral System
	Main unit	PLC			
Discrete Inputs	I	%I	1 to 32768	R	Decimal
Discrete Outputs	Q	%Q	1 to 32768	R/W	Decimal
Internal Coils	M	%M	1 to 32768	R/W	Decimal
Temporary Coils	T	%T	1 to 1024	R/W	Decimal
Discrete Globals	G	%G	1 to 7680	R/W	Decimal
System Status References S	S	%S	1 to 128	R	Decimal
System Status References SA	SA	%SA	1 to 128	R/W	Decimal
System Status References SB	SB	%SB	1 to 128	R/W	Decimal
System Status References SC	SC	%SC	1 to 128	R/W	Decimal

### Word Device

Device Name	Device Type		Address Number Range	Read /Write	Address Numeral System
	Main unit	PLC			
Discrete Inputs	WI	%I	1 to 32753	R	Decimal* <sup>1</sup>
Discrete Outputs	WQ	%Q	1 to 32753	R/W	Decimal* <sup>1</sup>
Internal Coils	WM	%M	1 to 32753	R/W	Decimal* <sup>1</sup>
Temporary Coils	WT	%T	1 to 1009	R/W	Decimal* <sup>1</sup>
Discrete Globals	WG	%G	1 to 7665	R/W	Decimal* <sup>1</sup>
System Status References S	WS	%S	1 to 113	R	Decimal* <sup>1</sup>
System Status References SA	WSA	%SA	1 to 113	R/W	Decimal* <sup>1</sup>
System Status References SB	WSB	%SB	1 to 113	R/W	Decimal* <sup>1</sup>
System Status References SC	WSC	%SC	1 to 113	R/W	Decimal* <sup>1</sup>
Register Memory	R	%R	1 to 32640	R/W	Decimal
Analog Inputs	AI	%AI	1 to 32640	R/W	Decimal
Analog Outputs	AQ	%AQ	1 to 32640	R/W	Decimal



The device addresses vary based on the PLC model. For details, refer to the manual for the PLC which you use.

\*1 Set this address number in multiples of 16.

## 11 Panasonic

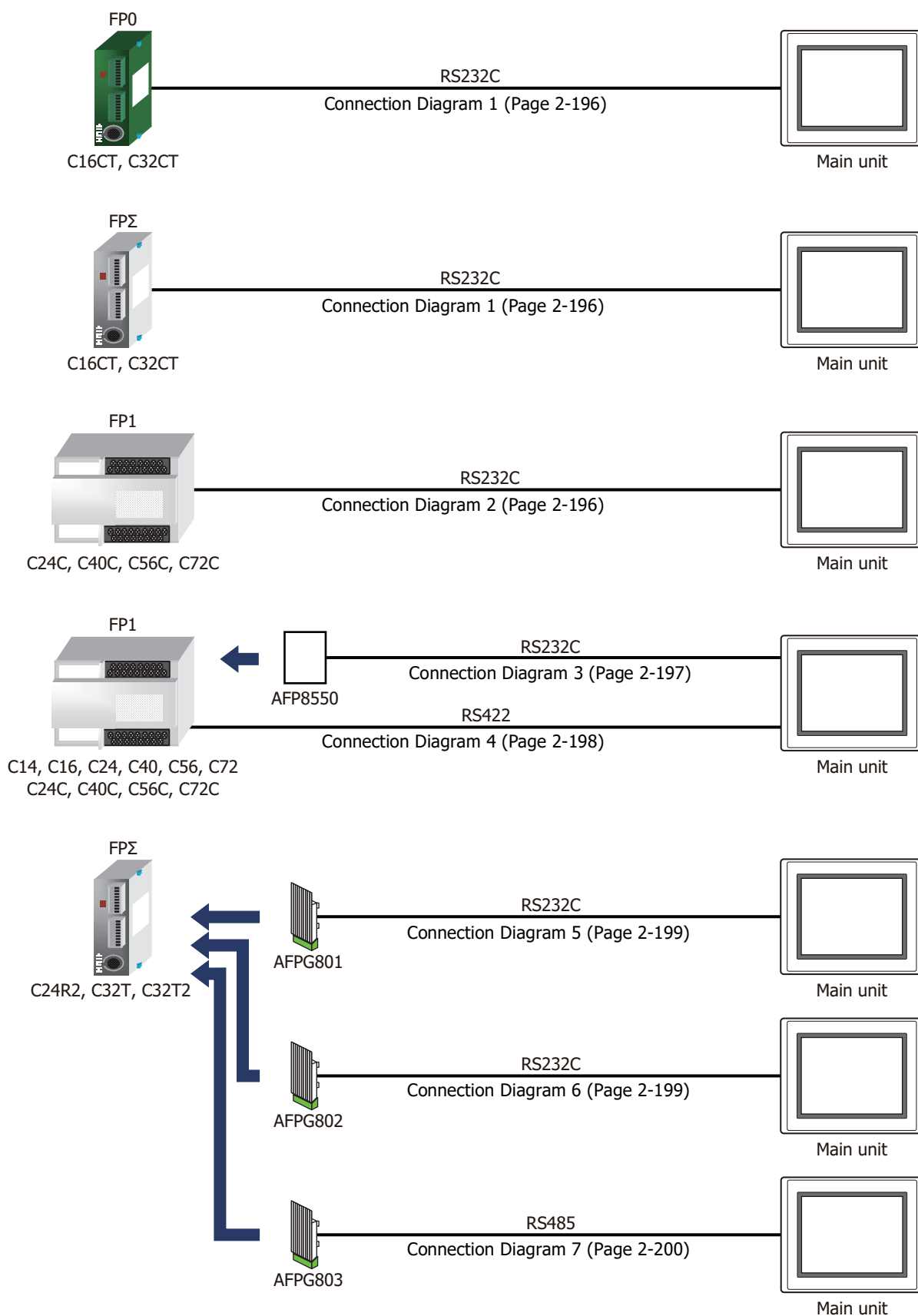
### 11.1 Connection Table

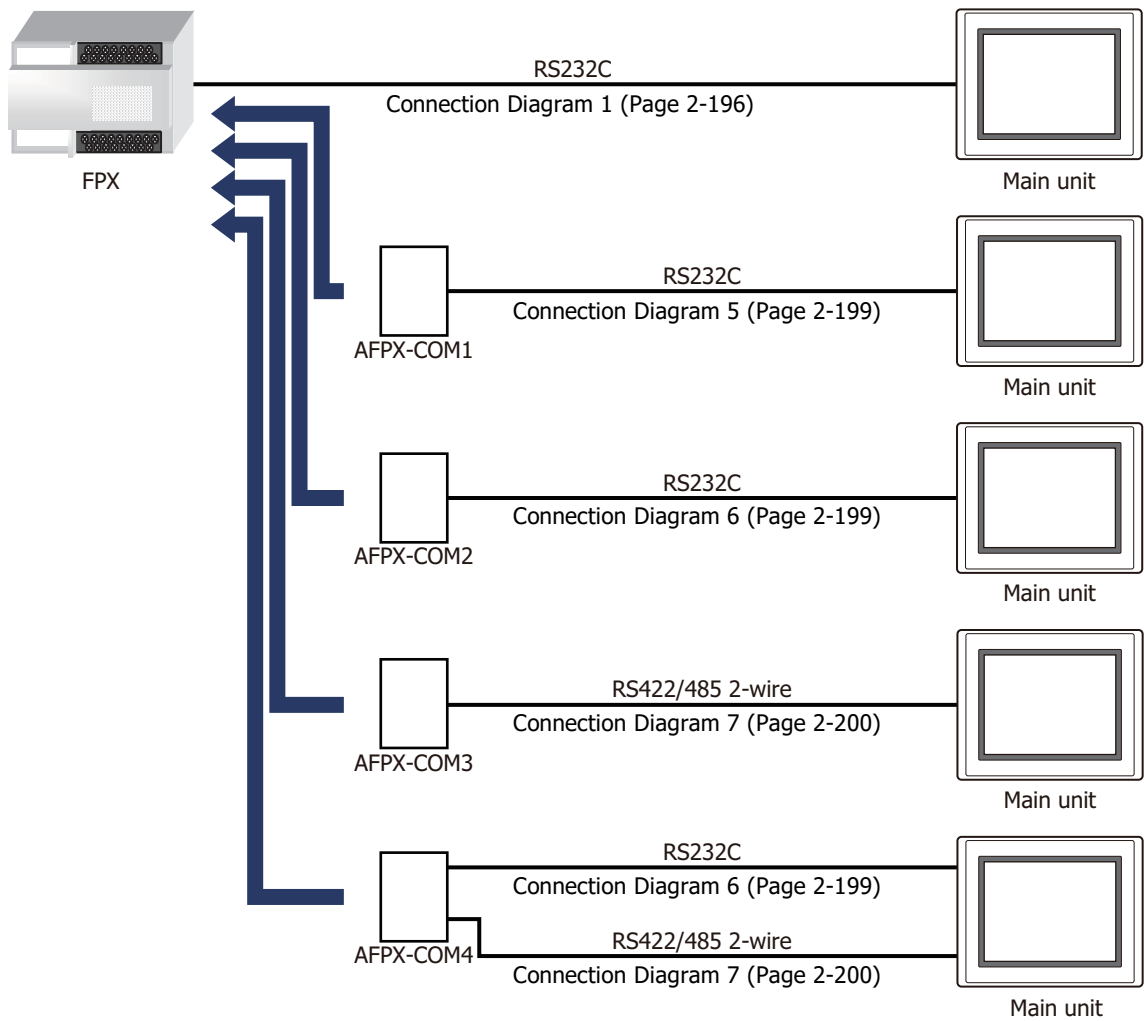
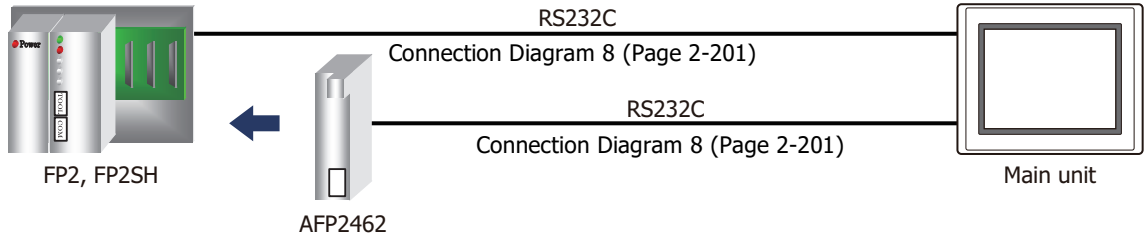
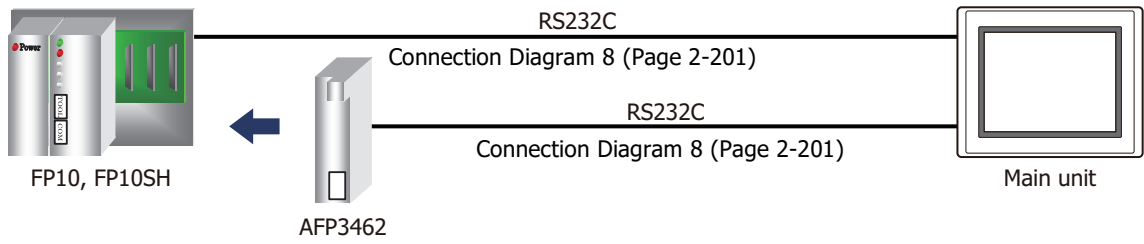
CPU Unit	Link Unit	WindO/I-NV4 Settings		
		Interface	Flow Control	Communication Driver
<b>FP Series</b>				
FP0 FP0R	Not required (Connects to CPU Unit)	RS232C Connection Diagram 1 (Page 2-196)	None	MEWNET
FP1	Not required (Connects to RS232C port)	RS232C* <sup>1</sup> Connection Diagram 2 (Page 2-196)	ER	
	Not required (Connects to CPU Unit)	RS232C Connection Diagram 3 (Page 2-197)		
	Not required (Connects to CPU Unit)	RS422/485 4-wire Connection Diagram 4 (Page 2-198)	None	
FPΣ	Not required (Connects to CPU Unit)	RS232C Connection Diagram 1 (Page 2-196)		
	AFP801 (Communication Cassette)	RS232C Connection Diagram 5 (Page 2-199)		
	AFP802 (Communication Cassette)	RS232C Connection Diagram 6 (Page 2-199)	None	
	AFP803 (Communication Cassette)	RS422/485 2-wire Connection Diagram 7 (Page 2-200)		
FP10 FP10SH	Not required (Connects to Tool port or COM port)	RS232C Connection Diagram 8 (Page 2-201)	None	
	AFP3462 (Link Unit)			
FP2 FP2SH	Not required (Connects to COM port)	RS232C Connection Diagram 8 (Page 2-201)	None	
	AFP2462 (Link Unit)			
FPX	Not required (Connects to CPU Unit)	RS232C Connection Diagram 1 (Page 2-196)	None	
	AFPX-COM1	RS232C Connection Diagram 5 (Page 2-199)	ER	
	AFPX-COM2	RS232C Connection Diagram 6 (Page 2-199)	None	
	AFPX-COM3	RS422/485 2-wire Connection Diagram 7 (Page 2-200)		
	AFPX-COM4	RS232C Connection Diagram 6 (Page 2-199)		
RS422/485 2-wire Connection Diagram 7 (Page 2-200)				
FP7	Not required (Connects to CPU Unit)	RS232C Connection Diagram 6 (Page 2-199)	None	
	AFP7CCS1			
	AFP7CCS2			
	AFP7CCS1M1			
	AFP7CCM1	RS422/485 2-wire Connection Diagram 7 (Page 2-200)		
	AFP7CCM2			

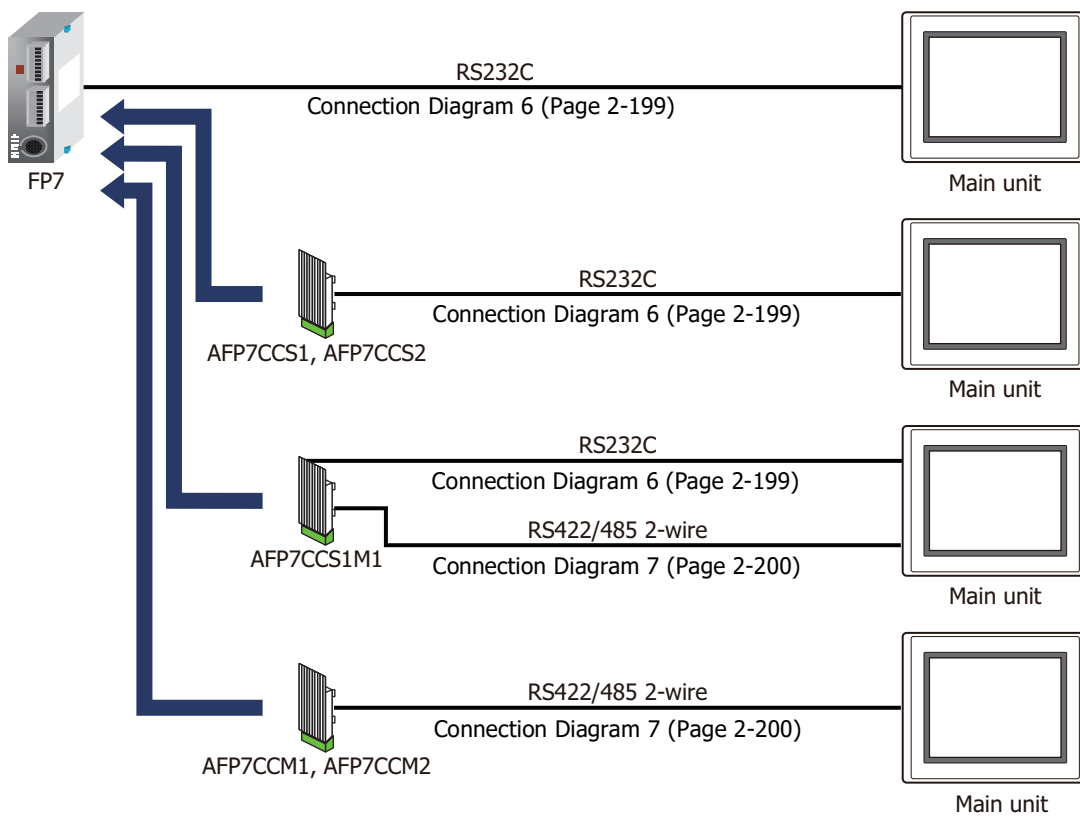
\*1 Use AFP8550 (RS422/232C Conversion Adapter)

## 11.2 System Configuration

This is the system configuration for the connection of Panasonic PLCs to the main unit.







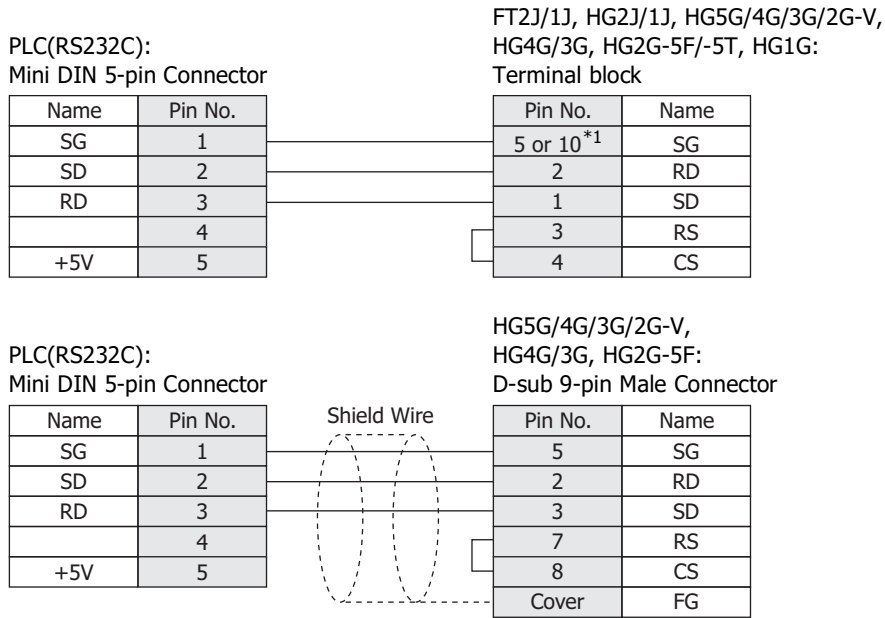
**2** Connection to External Devices

### 11.3 Connection Diagram

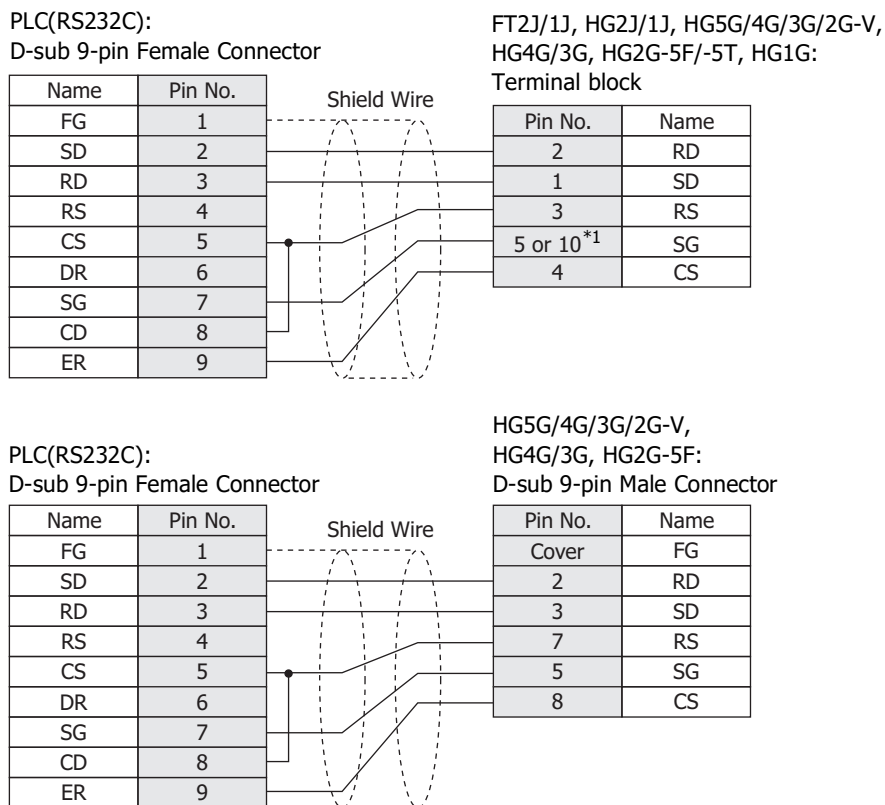


The connector types given in the Connection Diagrams are for the unit and not the cable. For details regarding wiring, refer to Chapter 1 "3 Important Points Regarding Wiring" on page 1-4.

● Connection Diagram 1: FP0, FP0R, FPΣ, FPX Tool port



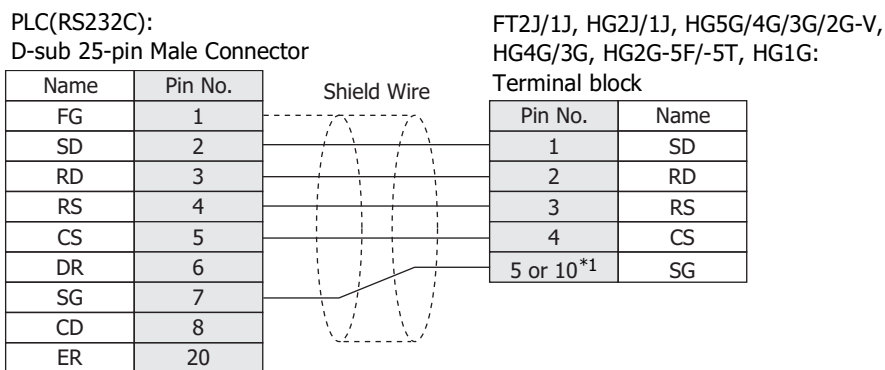
● Connection Diagram 2: FP1 (RS232C port)



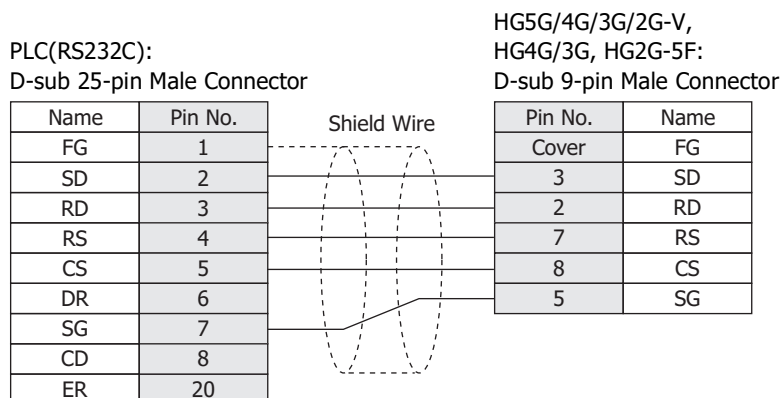
\*1 FT1J, HG1J only



### ● Connection Diagram 3: FP1 (AFP8550)



This figure shows the connection diagram when using the cable (AFP8550) from Panasonic. The AFP8550 has a D-sub male connector. Use a D-sub female connector when you make a communication cable.



This figure shows the connection diagram when using the cable (AFP8550) from Panasonic. The AFP8550 has a D-sub male connector. Use a D-sub female connector when you make a communication cable.

\*1 FT1J, HG1J only

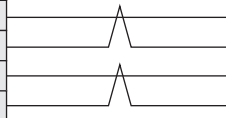
● Connection Diagram 4: FP1

PLC(RS422/485):  
Mini DIN 8-pin Connector

Name	Pin No.
+5V	8
TXDA	2
TXDB	5
RXDA	3
RXDB	6
SG	1
RTS	7

FT2J/1J, HG2J/1J, HG5G/4G/3G/2G-V,  
HG4G/3G, HG2G-5F/-5T, HG1G:  
Terminal block

Pin No.	Name
9	RDB(RD-)
8	RDA(RD+)
7	SDB(SD-)
6	SDA(SD+)
5 or 10*1	SG



Configure the **Flow Control** to **None**, because the terminal block of the FT2J/1J, HG2J/1J, HG5G/4G/3G/2G-V, HG4G/3G, HG2G-5F/-5T, HG1G doesn't have control lines.



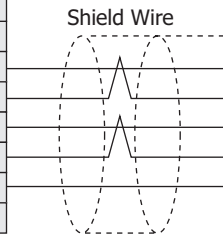
Insert a terminating resistor, if necessary. For the setting method, refer to Chapter 1 "3 Important Points Regarding Wiring" on page 1-4.

PLC(RS422/485):  
Mini DIN 8-pin Connector

Name	Pin No.
+5V	8
TXDA	2
TXDB	5
RXDA	3
RXDB	6
SG	1
RTS	7

HG5G/4G/3G/2G-V,  
HG4G/3G, HG2G-5F:  
D-sub 9-pin Male Connector

Pin No.	Name
Cover	FG
6	RDB(RD-)
1	RDA(RD+)
9	SDB(SD-)
4	SDA(SD+)
5	SG

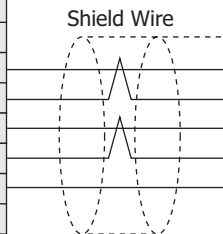


PLC(RS422/485):  
Mini DIN 8-pin Connector

Name	Pin No.
+5V	8
TXDA	2
TXDB	5
RXDA	3
RXDB	6
SG	1
RTS	7

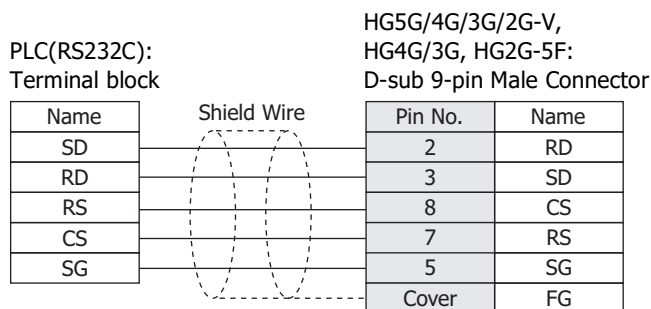
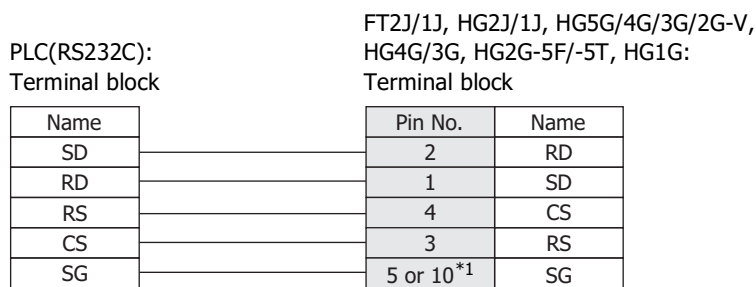
HG1P:  
D-sub 25-pin Male Connector

Pin No.	Name
Cover	FG
2	RDB(RD-)
3	RDA(RD+)
4	SDB(SD-)
5	SDA(SD+)
6	SG

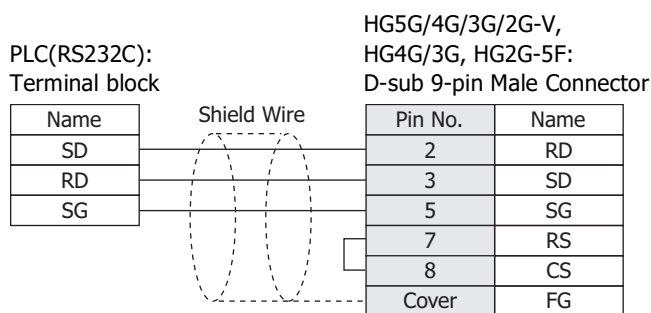
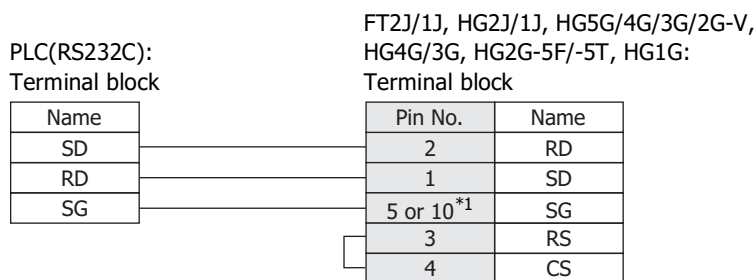


\*1 FT1J, HG1J only

● Connection Diagram 5: FPΣ Communication Cassette (AFPG801)  
FPX Communication Cassette (AFPX-COM1)

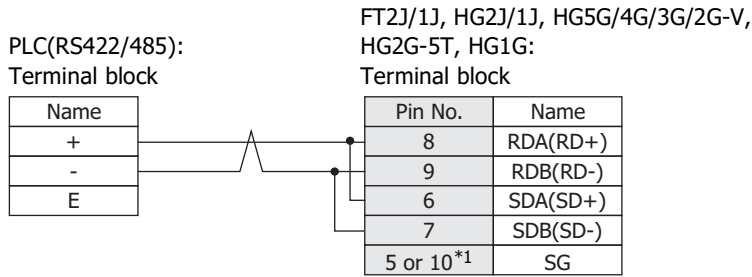


● Connection Diagram 6: FPΣ Communication Cassette (AFPG802)  
FPX Communication Cassette (AFPX-COM2/-COM4)  
FP7 COM.0 port, Communication Cassette (AFP7CCS1/CCS2/CCS1M1)



\*1 FT1J, HG1J only

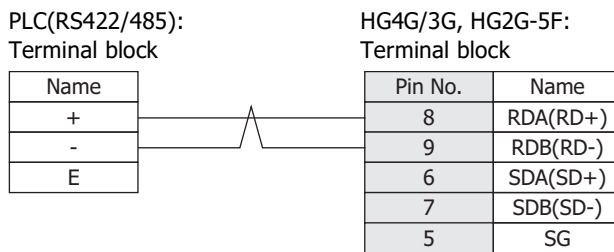
● Connection Diagram 7: FPΣ Communication Cassette (AFPG803)  
 FPX Communication Cassette (AFPX-COM3/-COM4)  
 FP7 Communication Cassette (AFP7CCM1/CCM2)



Configure the **Flow Control** to **None**, because the terminal block of the FT2J/1J, HG2J/1J, HG5G/4G/3G/2G-V, HG2G-5T, HG1G doesn't have control lines.



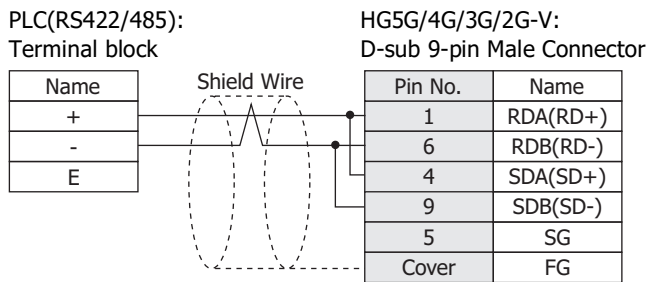
Insert a terminating resistor, if necessary. For the setting method, refer to Chapter 1 "3 Important Points Regarding Wiring" on page 1-4.



Configure the **Flow Control** to **None**, because the terminal block of the HG4G/3G, HG2G-5F doesn't have control lines.

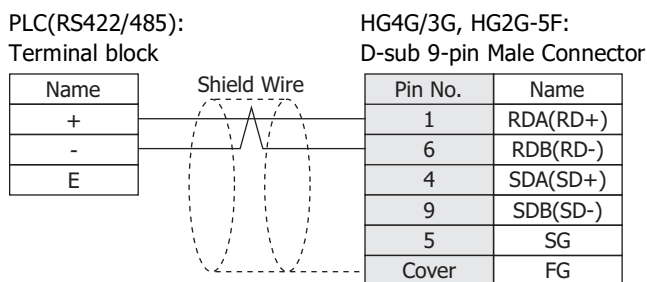


Insert a terminating resistor, if necessary. For the setting method, refer to Chapter 1 "3 Important Points Regarding Wiring" on page 1-4.

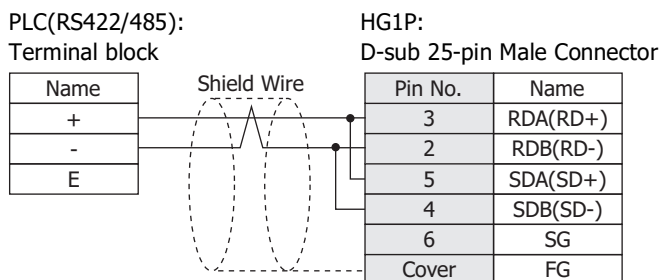


When connecting COM1 on the HG5G/4G/3G/2G-V to the external device, do not insert terminating resistor to the external device.

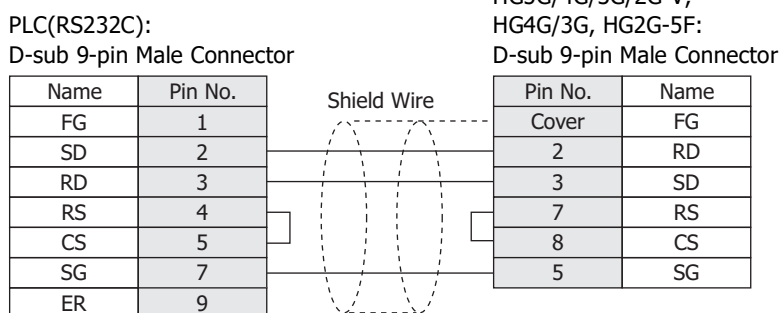
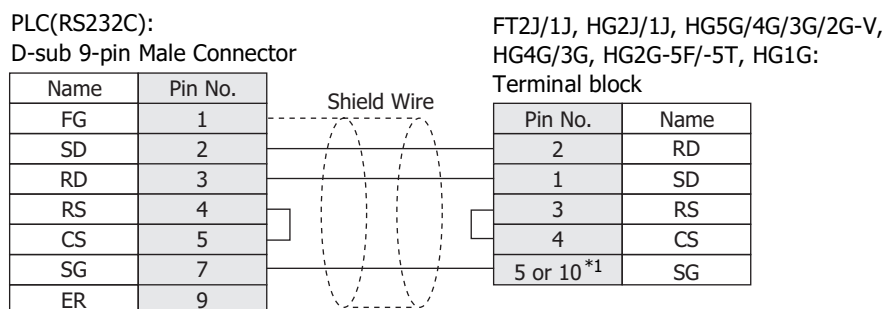
\*1 FT1J, HG1J only



When connecting COM1 on the HG4G/3G, HG2G-5F to the external device, do not insert terminating resistor to the external device.



● Connection Diagram 8: FP10, FP10SH, FP2, FP2SH



\*1 FT1J, HG1J only

## 11.4 Environment Settings

- FP0 and FP1 (Tool port on CPU Unit)

Items	Details
Interface	RS232C or RS422 4-wire
Slave Address	01 to 99 (Decimal)*1
Baud Rate	19200 or 9600 bps
Data Bits	8
Stop Bits	1
Parity	Odd
Flow Control	None or ER

- FP1 (RS232C port on CPU Unit)

Items	Details
Interface	RS232C
Slave Address	01 to 99 (Decimal)
Baud Rate	19200, 9600, 4800, 2400 or 1200 bps
Data Bits	7 or 8
Stop Bits	1 or 2
Parity	None, Odd or Even
Flow Control	None or ER

- FPΣ (Tool port on CPU Unit or Communication Cassette)

Items	Details
Interface	RS232C or RS485 2-wire
Slave Address	01 to 99 (Decimal)
Baud Rate	115200, 57600, 38400, 19200, 9600, 4800 or 2400 bps
Data Bits	7 or 8
Stop Bits	1 or 2
Parity	None, Odd or Even
Flow Control	None or ER

- FP10 and FP10SH (Tool port on CPU Unit)

Items	Details
Interface	RS232C
Slave Address	1 to 32 (Decimal)
Baud Rate	19200 or 9600 bps
Data Bits	7 or 8
Stop Bits	1
Parity	Odd
Flow Control	None or ER

\*1 There are some models that don't support Slave Address up to 99.

● FP2, FP2SH, FP10 and FP10SH (Communication port on CPU Unit)

Items	Details
Interface	RS232C
Slave Address	1 to 32 (Decimal)
Baud Rate	115200, 57600, 38400, 19200, 9600, 4800 or 2400 bps
Data Bits	7 or 8
Stop Bits	1 or 2
Parity	None, Odd or Even
Flow Control	None or ER

● FP10 and FP10SH (Computer Communication Unit)

Items	Details
Interface	RS232C
Slave Address	1 (Decimal)
Baud Rate	115200, 57600, 38400, 19200, 9600, 4800 or 2400 bps
Data Bits	7 or 8
Stop Bits	1 or 2
Parity	None, Odd or Even
Flow Control	None or ER

● FP2 and FP2SH (Computer Communication Unit)

Items	Details
Interface	RS232C
Slave Address	1 (Decimal)
Baud Rate	115200, 57600, 38400, 19200, 9600 or 4800 bps
Data Bits	7 or 8
Stop Bits	1
Parity	Odd
Flow Control	None or ER

● FPX (Tool port on CPU Unit or Communication Cassette)

Items	Details
Interface	RS232C or RS485 2-wire
Slave Address	01 to 99 (Decimal)
Baud Rate	115200, 57600, 38400, 19200, 9600, 4800 or 2400 bps
Data Bits	7 or 8
Stop Bits	1 or 2
Parity	None, Odd or Even
Flow Control	None

● FP7 (COM.0 port on CPU Unit or Communication Cassette)

Items	Details
Interface	RS232C or RS485 2-wire
Slave Address	01 to 99 (Decimal)
Baud Rate	115200, 57600, 38400, 19200, 9600, 4800, 2400 or 1200 bps
Data Bits	8
Stop Bits	1
Parity	Odd
Flow Control	None

## 11.5 Usable Device Addresses

Types of devices supported by the main unit and their ranges are shown below.

### Bit Device

Device Name	Device Type		Address Number Range	Read /Write	Address Numeral System
	Main unit	PLC			
Input	X	X	0 to 511F	R	*1
Output	Y	Y	0 to 511F	R/W	*1
Internal Relay	R	R	0 to 886F	R/W	*1
Special Internal relay	RE	R	9000 to 910F	R	*1
Link Relay	L	L	0 to 639F	R/W	*1
Timer	T	T	0 to 3071	R	Decimal
Counter	C	C	0 to 3071	R	Decimal
Error alarm relay	E	E	0 to 2047	R	Decimal

### Word Device

Device Name	Device Type		Address Number Range	Read /Write	Address Numeral System
	Main unit	PLC			
Input	WX	WX	0 to 00511	R	Decimal
Output	WY	WY	0 to 00511	R/W	Decimal
Internal Relay	WR	WR	0 to 00886	R/W	Decimal
Special Internal relay	WRE	WR	900 to 00910	R	Decimal
Link Relay	WL	WL	0 to 00639	R/W	Decimal
Timer, Counter (Elapsed Value)	EV	EV	0 to 03071	R	Decimal
Timer, Counter (Set Value)	SV	SV	0 to 03071	R/W	Decimal
Data register	DT	DT	0 to 99999	R/W	Decimal
Link data register	LD	LD	0 to 08447	R/W	Decimal
File register <sup>*2</sup>	FL	FL	0 to 32764	R/W	Decimal



The device ranges may differ depending on the PLC model. For details, Please refer to PLC Manual for supported memory ranges of the PLC.

\*1 The first three digits are in decimal, and the last digit is in binary.

\*2 In FP2SH, the contents of a bank 0 are read or written.



## 12 YASKAWA Electric

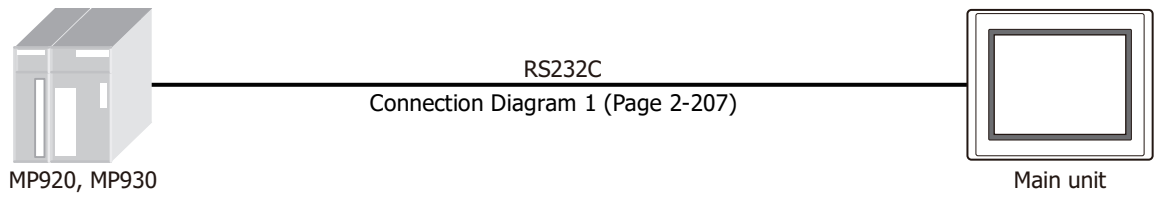
### 12.1 Connection Table

CPU Unit	Link Unit	WindO/I-NV4 Settings		
		Interface	Flow Control	Communication Driver
<b>Machine Controller</b>				
MP920 MP930	Not required (Connects to CPU Unit)	RS232C Connection Diagram 1 (Page 2-207)	ER	MP920-RTU
	217IF (Communication Module)	RS232C Connection Diagram 1 (Page 2-207)	ER	
		RS422/485 4-wire Connection Diagram 2 (Page 2-208)	None	
		RS422/485 2-wire Connection Diagram 3 (Page 2-209)		
<b>MP2000 Series</b>				
MP2300	217IF-01 (Communication Module)	RS232C Connection Diagram 1 (Page 2-207)	ER	MP920-RTU
		RS422/485 4-wire Connection Diagram 4 (Page 2-211)	None	
		RS422/485 2-wire Connection Diagram 5 (Page 2-212)		
MP2200 MP2300	218IF-01 218IF-02	Ethernet	-	MP2000 (Ethernet)
MP2310 MP2300S	Not required (Connects to CPU Unit)			
	218IF-01 218IF-02			
MP2400	Not required (Connects to CPU Unit)			

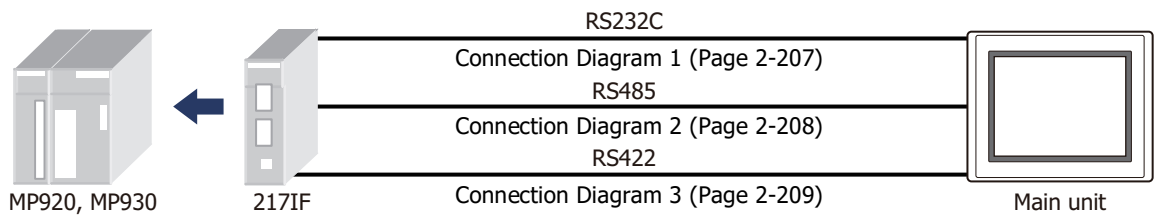
## 12.2 System Configuration

This is the system configuration for the connection of YASKAWA Electric PLCs to the main unit.

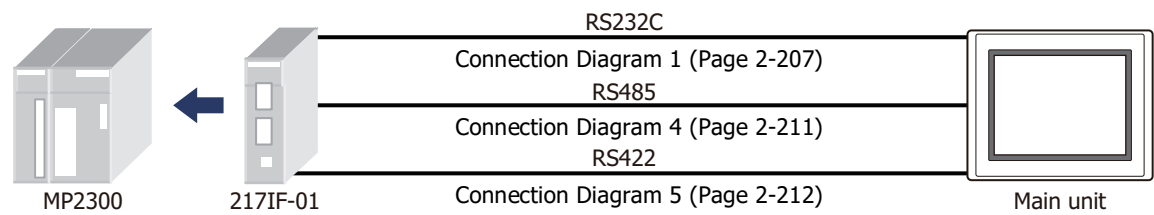
- MP920/930 (Connects to RS232C port on (CPU Unit))



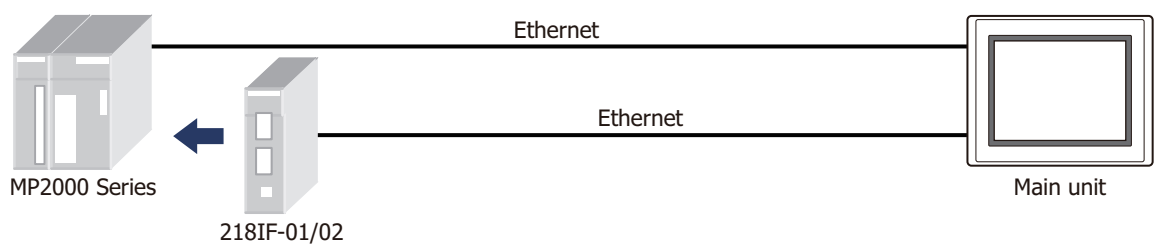
- MP920/930 (217IF)



- MP2300 (217IF-01)



- MP2000 Series (Ethernet)



## 12.3 Connection Diagram



The connector types given in the Connection Diagrams are for the unit and not the cable. For details regarding wiring, refer to Chapter 1 "3 Important Points Regarding Wiring" on page 1-4.

### ● Connection Diagram 1: MP920/930(217IF), MP2300(217IF-01)

PLC(RS232C):  
D-sub 9-pin Female Connector

Name	Pin No.
FG	1
SD	2
RD	3
RTS	4
CTS	5
DSR	6
SG	7
CD	8
DTR	9

Shield Wire

FT2J/1J, HG2J/1J, HG5G/4G/3G/2G-V,  
HG4G/3G, HG2G-5F/-5T, HG1G:

Terminal block

Pin No.	Name
2	RD
1	SD
3	RS
5 or 10*1	SG
4	CS

PLC(RS232C):  
D-sub 9-pin Female Connector

Name	Pin No.
FG	1
SD	2
RD	3
RTS	4
CTS	5
DSR	6
SG	7
CD	8
DTR	9

Shield Wire

HG5G/4G/3G/2G-V,  
HG4G/3G, HG2G-5F:  
D-sub 9-pin Male Connector

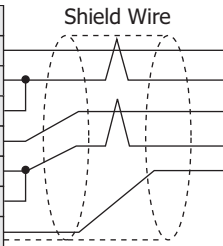
Pin No.	Name
Cover	FG
2	RD
3	SD
7	RS
5	SG
8	CS

\*1 FT1J, HG1J only

● Connection Diagram 2: MP920/930(217IF)

PLC(RS422/485):  
MR-8M Connector

Name	Pin No.
TX+	7
TX-	6
TXR	5
RX+	2
RX-	1
RXR	4
GND	8



FT2J/1J, HG2J/1J, HG5G/4G/3G/2G-V,  
HG4G/3G, HG2G-5F/-5T, HG1G:  
Terminal block

Pin No.	Name
8	RDA(RD+)
9	RDB(RD-)
6	SDA(SD+)
7	SDB(SD-)
5 or 10 <sup>*1</sup>	SG



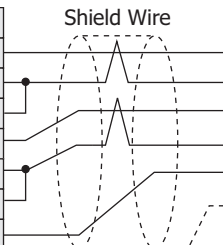
Configure the **Flow Control** to **None**, because the terminal block of the FT2J/1J, HG2J/1J, HG5G/4G/3G/2G-V, HG4G/3G, HG2G-5F/-5T, HG1G doesn't have control lines.



Insert a terminating resistor, if necessary. For the setting method, refer to Chapter 1 "3 Important Points Regarding Wiring" on page 1-4.

PLC(RS422/485):  
MR-8M Connector

Name	Pin No.
TX+	7
TX-	6
TXR	5
RX+	2
RX-	1
RXR	4
GND	8

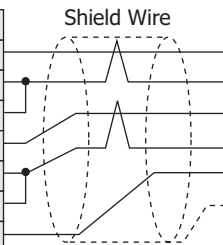


HG5G/4G/3G/2G-V,  
HG4G/3G, HG2G-5F:  
D-sub 9-pin Male Connector

Pin No.	Name
1	RDA(RD+)
6	RDB(RD-)
4	SDA(SD+)
9	SDB(SD-)
5	SG
Cover	FG

PLC(RS422/485):  
MR-8M Connector

Name	Pin No.
TX+	7
TX-	6
TXR	5
RX+	2
RX-	1
RXR	4
GND	8

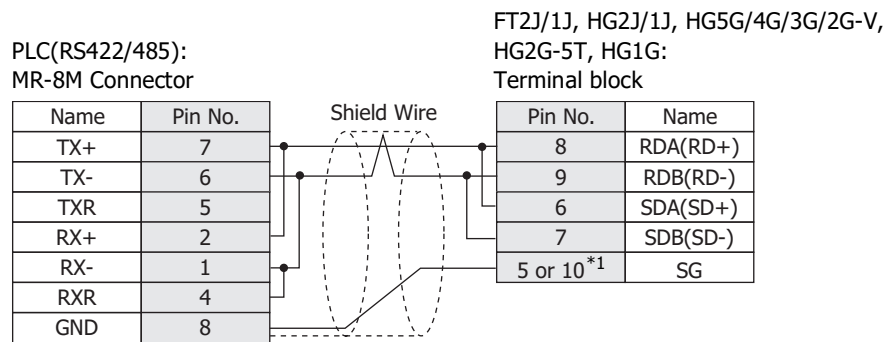


HG1P:  
D-sub 25-pin Male Connector

Pin No.	Name
3	RDA(RD+)
2	RDB(RD-)
5	SDA(SD+)
4	SDB(SD-)
6	SG
Cover	FG

\*1 FT1J, HG1J only

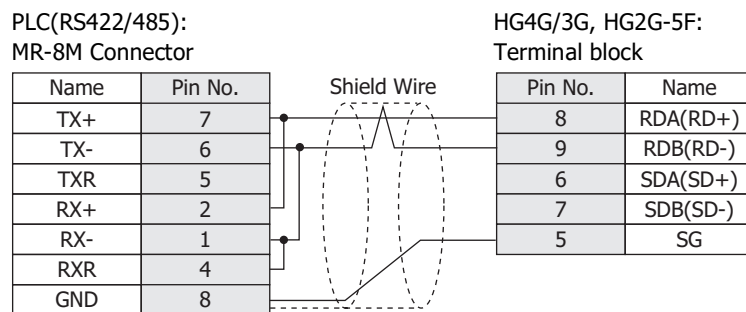
## ● Connection Diagram 3: MP920/930(2171F)



Configure the **Flow Control** to **None**, because the terminal block of the FT2J/1J, HG2J/1J, HG5G/4G/3G/2G-V, HG2G-5T, HG1G doesn't have control lines.



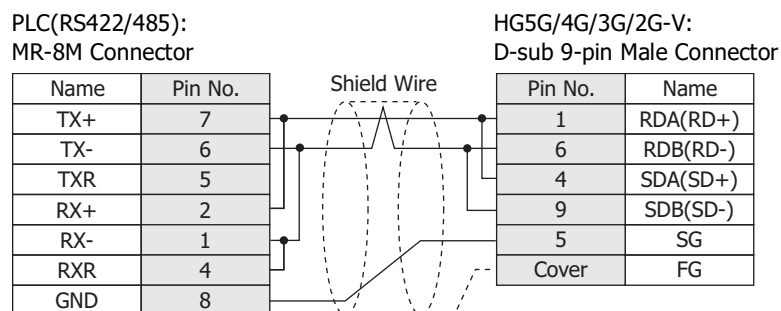
Insert a terminating resistor, if necessary. For the setting method, refer to Chapter 1 "3 Important Points Regarding Wiring" on page 1-4.



Configure the **Flow Control** to **None**, because the terminal block of the HG4G/3G, HG2G-5F doesn't have control lines.



Insert a terminating resistor, if necessary. For the setting method, refer to Chapter 1 "3 Important Points Regarding Wiring" on page 1-4.



When connecting COM1 on the HG5G/4G/3G/2G-V to the external device, do not insert terminating resistor to the external device.

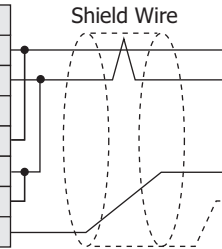
\*1 FT1J, HG1J only

PLC(RS422/485):  
MR-8M Connector

Name	Pin No.
TX+	7
TX-	6
TXR	5
RX+	2
RX-	1
RXR	4
GND	8

HG4G/3G, HG2G-5F:  
D-sub 9-pin Male Connector

Pin No.	Name
1	RDA(RD+)
6	RDB(RD-)
4	SDA(SD+)
9	SDB(SD-)
5	SG
Cover	FG



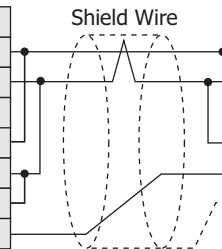
When connecting COM1 on the HG4G/3G, HG2G-5F to the external device, do not insert terminating resistor to the external device.

PLC(RS422/485):  
MR-8M Connector

Name	Pin No.
TX+	7
TX-	6
TXR	5
RX+	2
RX-	1
RXR	4
GND	8

HG1P:  
D-sub 25-pin Male Connector

Pin No.	Name
3	RDA(RD+)
2	RDB(RD-)
5	SDA(SD+)
4	SDB(SD-)
6	SG
Cover	FG



## ● Connection Diagram 4: MP2300(217IF-01)

PLC(RS422/485):  
MDR14-pin Connector

Name	Pin No.
TX+	1
TX-	2
TXR	11
RX+	3
RX-	4
RXR	7
GND	14

Shield Wire

FT2J/1J, HG2J/1J, HG5G/4G/3G/2G-V,  
HG4G/3G, HG2G-5F/-5T, HG1G:  
Terminal block

Pin No.	Name
8	RDA(RD+)
9	RDB(RD-)
6	SDA(SD+)
7	SDB(SD-)
5 or 10 <sup>*1</sup>	SG



Configure the **Flow Control** to **None**, because the terminal block of the FT2J/1J, HG2J/1J, HG5G/4G/3G/2G-V, HG4G/3G, HG2G-5F/-5T, HG1G doesn't have control lines.



Insert a terminating resistor, if necessary. For the setting method, refer to Chapter 1 "3 Important Points Regarding Wiring" on page 1-4.

PLC(RS422/485):  
MDR14-pin Connector

Name	Pin No.
TX+	1
TX-	2
TXR	11
RX+	3
RX-	4
RXR	7
GND	14

Shield Wire

HG5G/4G/3G/2G-V,  
HG4G/3G, HG2G-5F:  
D-sub 9-pin Male Connector

Pin No.	Name
1	RDA(RD+)
6	RDB(RD-)
4	SDA(SD+)
9	SDB(SD-)
5	SG
Cover	FG

PLC(RS422/485):  
MDR14-pin Connector

Name	Pin No.
TX+	1
TX-	2
TXR	11
RX+	3
RX-	4
RXR	7
GND	14

Shield Wire

HG1P:  
D-sub 25-pin Male Connector

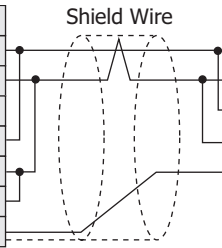
Pin No.	Name
3	RDA(RD+)
2	RDB(RD-)
5	SDA(SD+)
4	SDB(SD-)
6	SG
Cover	FG

\*1 FT1J, HG1J only

● Connection Diagram 5: MP2300(217IF-01)

PLC(RS422/485):  
MDR14-pin Connector

Name	Pin No.
TX+	1
TX-	2
TXR	11
RX+	3
RX-	4
RXR	7
GND	14



FT2J/1J, HG2J/1J, HG5G/4G/3G/2G-V,  
HG2G-5T, HG1G:  
Terminal block

Pin No.	Name
8	RDA(RD+)
9	RDB(RD-)
6	SDA(SD+)
7	SDB(SD-)
5 or 10*1	SG



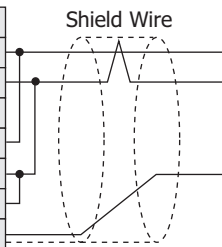
Configure the **Flow Control** to **None**, because the terminal block of the FT2J/1J, HG2J/1J, HG5G/4G/3G/2G-V, HG2G-5T, HG1G doesn't have control lines.



Insert a terminating resistor, if necessary. For the setting method, refer to Chapter 1 "3 Important Points Regarding Wiring" on page 1-4.

PLC(RS422/485):  
MDR14-pin Connector

Name	Pin No.
TX+	1
TX-	2
TXR	11
RX+	3
RX-	4
RXR	7
GND	14



HG4G/3G, HG2G-5F:  
Terminal block

Pin No.	Name
8	RDA(RD+)
9	RDB(RD-)
6	SDA(SD+)
7	SDB(SD-)
5	SG



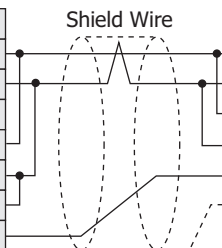
Configure the **Flow Control** to **None**, because the terminal block of the HG4G/3G, HG2G-5F doesn't have control lines.



Insert a terminating resistor, if necessary. For the setting method, refer to Chapter 1 "3 Important Points Regarding Wiring" on page 1-4.

PLC(RS422/485):  
MDR14-pin Connector

Name	Pin No.
TX+	1
TX-	2
TXR	11
RX+	3
RX-	4
RXR	7
GND	14



HG5G/4G/3G/2G-V:  
D-sub 9-pin Male Connector

Pin No.	Name
1	RDA(RD+)
6	RDB(RD-)
4	SDA(SD+)
9	SDB(SD-)
5	SG
Cover	FG



When connecting COM1 on the HG5G/4G/3G/2G-V to the external device, do not insert terminating resistor to the external device.

\*1 FT1J, HG1J only



PLC(RS422/485):  
MDR14-pin Connector

Name	Pin No.
TX+	1
TX-	2
TXR	11
RX+	3
RX-	4
RXR	7
GND	14

Shield Wire

HG4G/3G, HG2G-5F:  
D-sub 9-pin Male Connector

Pin No.	Name
1	RDA(RD+)
6	RDB(RD-)
4	SDA(SD+)
9	SDB(SD-)
5	SG
Cover	FG



When connecting COM1 on the HG4G/3G, HG2G-5F to the external device, do not insert terminating resistor to the external device.

PLC(RS422/485):  
MDR14-pin Connector

Name	Pin No.
TX+	1
TX-	2
TXR	11
RX+	3
RX-	4
RXR	7
GND	14

Shield Wire

HG1P:  
D-sub 25-pin Male Connector

Pin No.	Name
3	RDA(RD+)
2	RDB(RD-)
5	SDA(SD+)
4	SDB(SD-)
6	SG
Cover	FG

## 12.4 Environment Settings

### ● MP920/930/2300

Items	Details
Interface	RS232C or RS422/485
Protocol	MEMOBUS RTU
Slave Address	1 to 63 (Decimal)
Baud Rate	19200 or 9600 bps
Data Bits	8
Stop Bits	1 or 2
Parity	None, Odd or Even
Flow Control	None or ER



- It is necessary to set up transmission form by the rudder program.
- Please set up the head register by the side of the PLC as follows. Moreover, please give offset of each register as 0.

#### Module detailed setup

Setup of a slave Interface register:	Head REG
reading of an Inputs Status:	IW0000
reading of an Inputs Registers:	IW0000
reading/writing of a Coil:	MW00000
reading/writing of a Holding Registers:	MW00000

## ● Connecting with the MP2000 series via Ethernet

### The main unit settings

Set the following items on the Project Settings dialog box in WindO/I-NV4.

Tab Name	Item	Setting
Communication Interface	IP Address	Set the IP address of the main unit.
	Subnet Mask	Set the subnet mask of the main unit.
	Default Gateway	Set the default gateway of the main unit.
Communication Driver Network	IP Address	Set the IP address of PLC.
	Port Number	Set the port number of PLC. (Default: 10001)
	The main unit Port Number	Set the TCP port number of the main unit. If you set "0", the port number of the main unit is set automatically.



Regarding TCP port number of the main unit, note the following points.

The numbers that cannot be used:

- 2538 (for pass-through)
- 2101 (for FC4A Series MicroSmart direct connection pass-through)

Duplicate numbers cannot be configured in the following functions:

- Maintenance communication (☞ refer to Chapter 4 "Communication Interface Tab" in the WindO/I-NV4 User's Manual)
- Web server function (☞ refer to Chapter 4 "Web Server Tab" in the WindO/I-NV4 User's Manual)
- FTP server function (☞ refer to Chapter 4 "FTP Server Tab" in the WindO/I-NV4 User's Manual)
- **TCP Server** is selected for the User Communication (☞ refer to Chapter 4 "Communication Interface Tab" in the WindO/I-NV4 User's Manual)
- **Modbus** as **Manufacture** and **Modbus TCP Server** as **Communication Driver** are selected on the Communication Driver tab (☞ refer to Chapter 5 "Project Settings Dialog Box" on page 5-17)
- **YASKAWA Electric** as **Manufacture** and **MP2000(Ethernet)** as **Communication Driver** are selected on the Communication Driver tab

PLC Settings

Item		Setting
Transmission Parameters	IP Address	Set the IP address of PLC.
	Subnet Mask	Set the subnet mask of PLC.
	Default Gateway	Set the default gateway of PLC.
Connection Parameters	Local Port	Set the port number of PLC.
	Node IP Address	Set the IP address of the main unit. *1
	Node Port	Set the port number of the main unit. *2
	Connect Type	Set the TCP.
	Protocol Type	Select "Extended MEMOBUS" protocol.
	Code	Set the BIN.



Please set up the head register by the side of the PLC as follows. Moreover, please give offset of each register as 0.

**Module detailed setup**

Setup of a slave Interface register:	Head REG
reading of an Inputs Status:	IW0000
reading of an Inputs Registers:	IW0000
reading/writing of a Coil:	MW00000
reading/writing of a Holding Registers:	MW00000

**12.5 Usable Device Addresses****Bit Device**

Device Name	Device Type		Address Number Range	Read /Write	Address Numeral System
	Main unit	PLC			
Coil	MB	MW	0 to 4095F	R/W	*3
Inputs Status	IB	IW	0 to FFFFF	R	Hexadecimal

**Word Device**

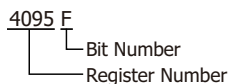
Device Name	Device Type		Address Number Range	Read /Write	Address Numeral System
	Main unit	PLC			
Holding Registers	MW	MW	0 to 65535	R/W	Decimal
Inputs Registers	IW	IW	0 to FFFF	R	Hexadecimal

\*1 If the **Node IP Address** is set to **0.0.0.0**, the connection is set in the **Unpassive Open mode**. Any nodes in the network can access to the controller.

\*2 To set the connection mode to **Unpassive Open mode**, set 0 to **Node Port**.

\*3 The first four digits: Register Number (decimal)

The last digit: Bit Number (hexadecimal)



## 13 KOYO ELECTRONICS INDUSTRIES

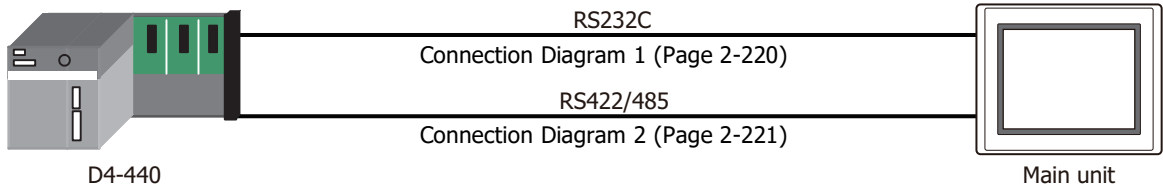
### 13.1 Connection Table

CPU Unit	Link Unit	WindO/I-NV4 Settings		
		Interface	Flow Control	Communication Driver
<b>DirectLOGIC 05</b>				
DL05	D0-ECOM D0-ECOM100	Ethernet	-	DirectLogic (Ethernet)
<b>DirectLOGIC 06</b>				
DL06	D0-ECOM D0-ECOM100	Ethernet	-	DirectLogic (Ethernet)
<b>DirectLOGIC 205</b>				
D2-240 D2-250 D2-250-1 D2-260	D2-ECOM D2-ECOM-F D2-ECOM100	Ethernet	-	DirectLogic (Ethernet)
D2-240 (Port2) D2-250 (Port1, 2) D2-260 (Port1, 2)	Not required (Connects to CPU Unit)	RS232C Connection Diagram 3 (Page 2-222)	None	DirectLogic 205/405
<b>DirectLOGIC 405</b>				
D4-430 D4-440	Not required (Connects to CPU Unit)	RS232C Connection Diagram 1 (Page 2-220)	None	DirectLogic 205/405
D4-440	D4-DCM	RS422/485 4-wire Connection Diagram 2 (Page 2-221)		
D4-440	D4-DCM	RS232C Connection Diagram 1 (Page 2-220)		
D4-430 D4-440 D4-450	D4-DCM D4-ECOM D4-ECOM-F D4-ECOM100	RS232C Connection Diagram 1 (Page 2-220) Ethernet	-	DirectLogic (Ethernet)

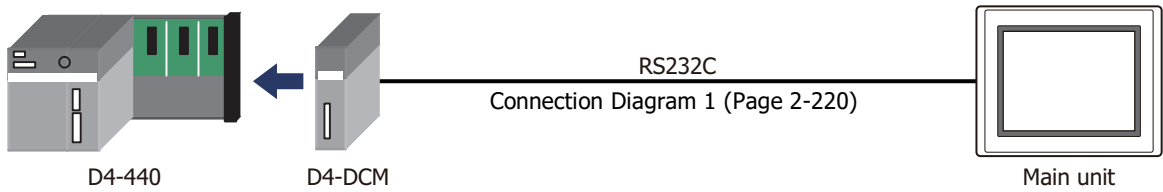
### 13.2 System Configuration

This is the system configuration for the connection of KOYO ELECTRONICS INDUSTRIES PLCs to the main unit.

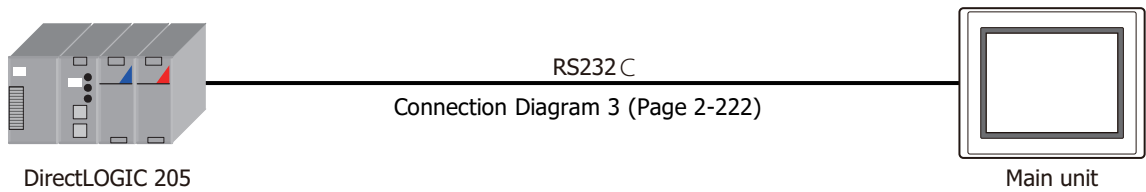
- DirectLOGIC 405 (Connects to Communication port on CPU Unit)



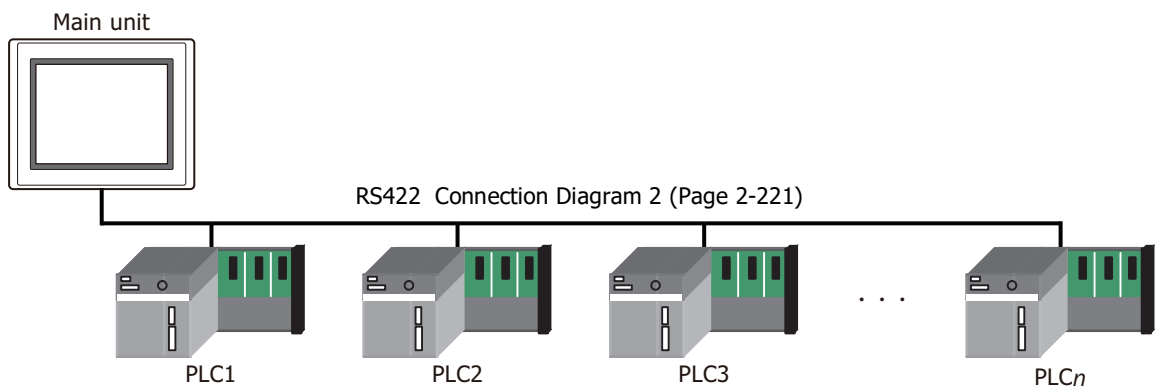
- DirectLOGIC 405 (Connects to RS232C port on DATA COMMUNICATIONS MODULE)



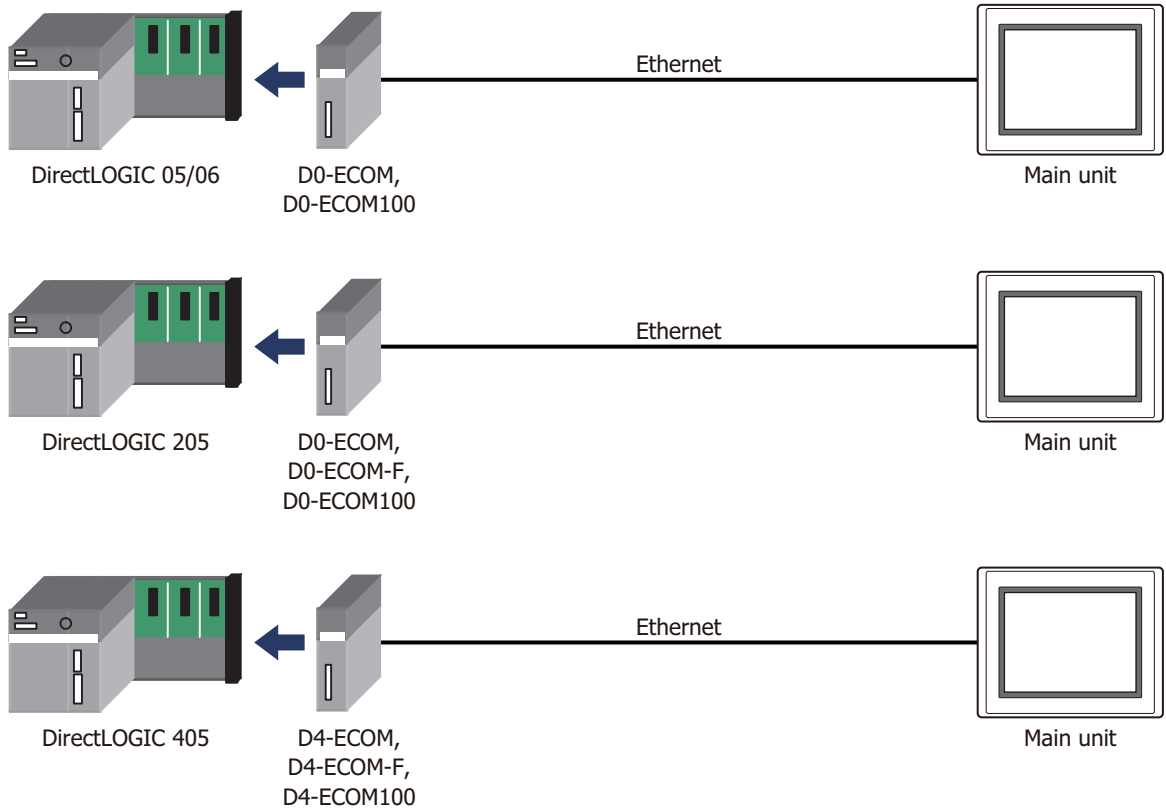
- DirectLOGIC 205 (Connects to the Communication port on CPU Unit)



- DirectLOGIC 405 (Connects to RS422 Communication port on CPU Unit)



● DirectLOGIC Series (Ethernet)



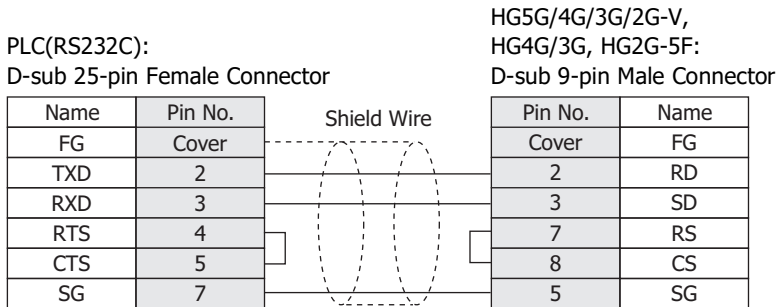
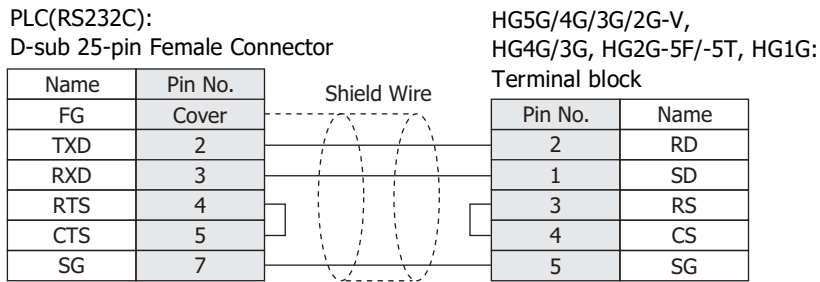
- Use a crossover cable to connect the main unit and PLC directly.
- When using a hub (Ethernet switch), use a cable that can be used with the hub.

### 13.3 Connection Diagram



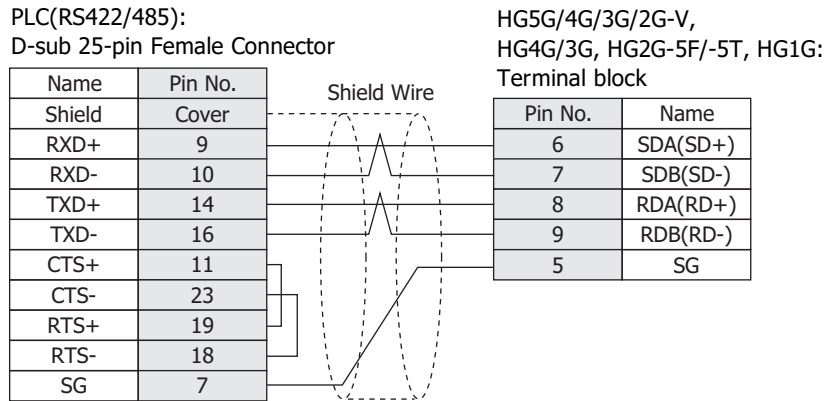
The connector types given in the Connection Diagrams are for the unit and not the cable. For details regarding wiring, refer to Chapter 1 "3 Important Points Regarding Wiring" on page 1-4.

- Connection Diagram 1: DirectLOGIC 405 (Connects to CPU Unit RS232C port)  
D4-DCM (Connects to DATA COMMUNICATIONS MODULE RS232C port)





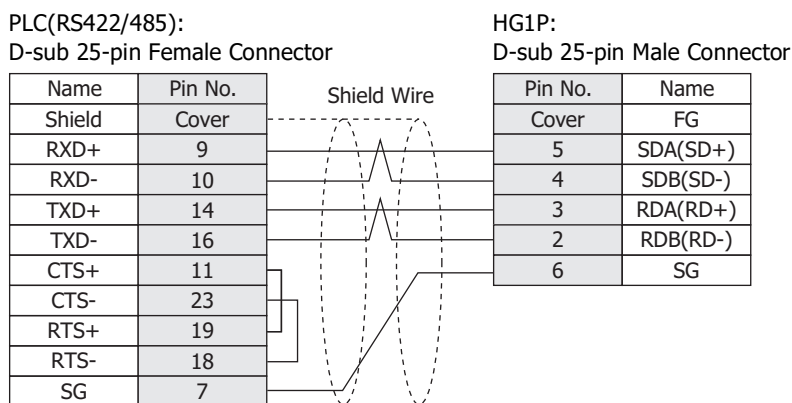
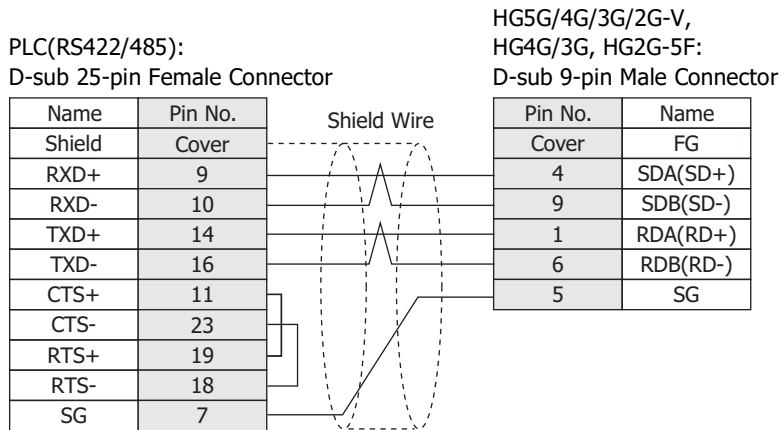
● Connection Diagram 2: DirectLOGIC 405 (Connects to CPU Unit RS422 port)



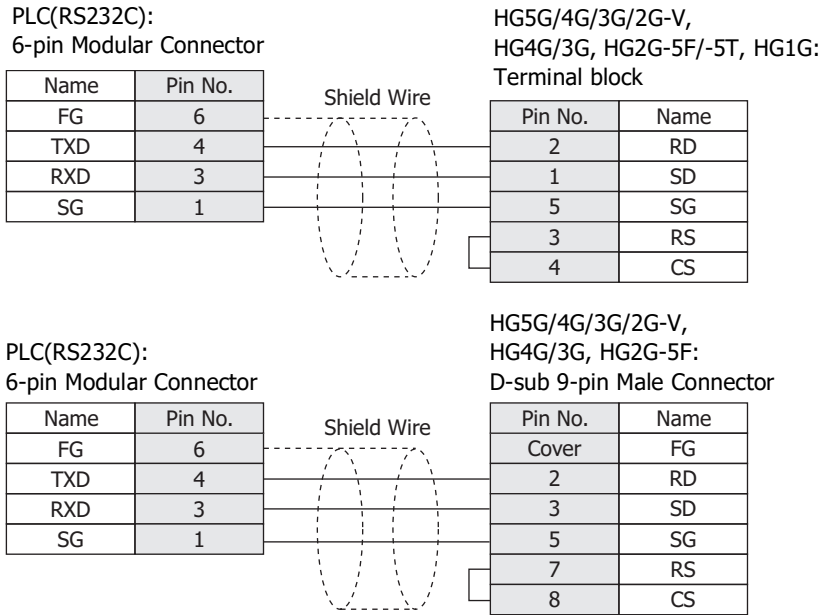
Configure the **Flow Control** to **None**, because the terminal block of the HG5G/4G/3G/2G-V, HG4G/3G, HG2G-5F/-5T, HG1G doesn't have control lines.



Insert a terminating resistor, if necessary. For the setting method, refer to Chapter 1 "3 Important Points Regarding Wiring" on page 1-4.



● Connection Diagram 3: DirectLOGIC 205 (Connects to CPU Unit RS232C port)



## 13.4 Environment Settings

### ● D4-440 CPU Unit Communication port

Items		Details
Interface		RS232C or RS422
Data representation		Hexadecimal mode
Slave Address	Set to the same setting as the main unit	1 to 90 (Decimal).
Baud Rate		19200 or 9600 bps
Data Bits		8
Stop Bits		1
Parity		None or Odd
Flow Control		ER

### ● D4-DCM DATA COMMUNICATIONS MODULE

Items		Details
Interface		RS232C
Data representation		Hexadecimal mode
Slave Address	Set to the same setting as the main unit	1 to 90 (Decimal)
Baud Rate		19200 or 9600 bps
Data Bits		8
Stop Bits		1
Parity		None or Odd
Flow Control		ER

### ● DirectLOGIC 205 CPU Unit Communication port

Items		Details
Interface		RS232C
Data representation		Hexadecimal mode
Slave Address	Set to the same setting as the main unit	1 to 90 (Decimal)
Baud Rate		9600 bps
Data Bits		8
Stop Bits		1
Parity		None or Odd
Flow Control		ER

**● Ethernet Unit on DirectLOGIC**

Set the following items on the Project Settings dialog box in WindO/I-NV4.

<b>Tab Name</b>	<b>Item</b>	<b>Setting</b>
Communication Interface	IP Address	Set the IP address of the main unit.
	Subnet Mask	Set the subnet mask of the main unit.
	Default Gateway	Set the default gateway of the main unit.
Communication Driver Network	IP Address	Set the IP address of Ethernet unit.
	Port Number	Set the port number of Ethernet unit.

## 13.5 Usable Device Addresses

### ● DirectLOGIC 405

#### Bit Device

Device Name	Device Type		Address Number Range	Read /Write	Address Numeral System
	Main unit	PLC			
Input Points (Bit)	X	X	0 to 1777	R	Octal
Output Points (Bit)	Y	Y	0 to 1777	R/W	Octal
Control Relays (Bit)	C	C	0 to 3777	R/W	Octal
Stages (Bit)	S	S	0 to 1777	R/W	Octal
Timer Status (Bit)	TS	T	0 to 377	R	Octal
Counter Status (Bit)	CS	CT	0 to 377	R	Octal
Remote In (Bit)	GX	GX	0 to 3777	R/W	Octal
Remote Out (Bit)	GY	GY	0 to 3777	R/W	Octal
Special Relays (Bit)	SP	SP	0 to 777	R	Octal

#### Word Device

Device Name	Device Type		Address Number Range	Read /Write	Address Numeral System
	Main unit	PLC			
Input Points (Word)	XW	V	40400 to 40477	R	Octal
Output Points (Word)	YW	V	40500 to 40577	R/W	Octal
Control Relays (Word)	CW	V	40600 to 40777	R/W	Octal
Stages (Word)	SW	V	41000 to 41077	R/W	Octal
Remote In (Word)	GXW	V	40000 to 40177	R/W	Octal
Remote Out (Word)	GYW	V	40200 to 40377	R/W	Octal
Special Relays (Word)	SPW	V	41200 to 41237	R	Octal
Timer Values	TV	V	0 to 377	R/W	Octal
Counter Values	CV	V	1000 to 1377	R/W	Octal
Data Registers	D	V	1400 to 7377	R/W	Octal
System Parameters1	SR1	V	700 to 777	R	Octal
System Parameters2	SR2	V	7400 to 7777	R	Octal
Ext Registers	ER	V	10000 to 37777	R/W	Octal



- We confirm the address number range of D4-440 only. The usable address number range varies based on the PLC model. For details, refer to the PLC manual.
- The Bit Write operation on the main unit depends on the state of **Bit Write operation will write to a byte** checkbox in the **Communication Driver** tab on the Project Settings dialog box. Note the following points: (Byte refers to 8 bits.)
  - Check: When executing Bit Write, all other bits in the byte are turned off.
  - Unchecked: When executing Bit Write, all other bits are not changed.

During Bit Write operation, the main unit reads the byte data including the designated bit from the PLC, performs logical AND or OR operation with the designated bit, and writes the result into the PLC, therefore all other bits in the byte are not changed.

## ● DirectLOGIC 205

### Bit Device

Device Name	Device Type		Address Number Range	Read /Write	Address Numeral System
	Main unit	PLC			
Input Points (Bit)	X	X	0 to 1777	R	Octal
Output Points (Bit)	Y	Y	0 to 1777	R/W	Octal
Control Relays (Bit)	C	C	0 to 3777	R/W	Octal
Stages (Bit)	S	S	0 to 1777	R/W	Octal
Timer Status (Bit)	TS	T	0 to 377	R	Octal
Counter Status (Bit)	CS	CT	0 to 377	R	Octal
Remote In (Bit)	GX	GX	0 to 3777	R/W	Octal
Remote Out (Bit)	GY	GY	0 to 3777	R/W	Octal
Special Relays (Bit)	SP	SP	0 to 777	R	Octal

### Word Device

Device Name	Device Type		Address Number Range	Read /Write	Address Numeral System
	Main unit	PLC			
Input Points (Word)	XW	V	40400 to 40477	R	Octal
Output Points (Word)	YW	V	40500 to 40577	R/W	Octal
Control Relays (Word)	CW	V	40600 to 40777	R/W	Octal
Stages (Word)	SW	V	41000 to 41077	R/W	Octal
Remote In (Word)	GXW	V	40000 to 40177	R/W	Octal
Remote Out (Word)	GYW	V	40200 to 40377	R/W	Octal
Special Relays (Word)	SPW	V	41200 to 41237	R	Octal
Timer Values	TV	V	0 to 377	R/W	Octal
Counter Values	CV	V	1000 to 1377	R/W	Octal
Data Registers	D	V	1400 to 7377	R/W	Octal
System Parameters1	SR1	V	400 to 777	R	Octal
System Parameters2	SR2	V	7400 to 7777	R	Octal
Ext Registers	ER	V	10000 to 35777	R/W	Octal



• We confirm the address number range of DirectLOGIC 205 only. The usable address number range varies based on the PLC model. For details, refer to the PLC manual.

• The Bit Write operation on the main unit depends on the state of **Bit Write operation will write to a byte** checkbox in the **Communication Driver** tab on the Project Settings dialog box. Note the following points: (Byte refers to 8 bits.)

Check: When executing Bit Write, all other bits in the byte are turned off.

Unchecked: When executing Bit Write, all other bits are not changed.

During Bit Write operation, the main unit reads the byte data including the designated bit from the PLC, performs logical AND or OR operation with the designated bit, and writes the result into the PLC, therefore all other bits in the byte are not changed.

● DirectLOGIC (Ethernet)

**Bit Device**

Device Name	Device Type		Address Number Range	Read /Write	Address Numeral System
	Main unit	PLC			
Input Points (Bit)	X	X	0 to 1777	R	Octal
Output Points (Bit)	Y	Y	0 to 1777	R/W	Octal
Control Relays (Bit)	C	C	0 to 3777	R/W	Octal
Special Relays (Bit)	SP	SP	0 to 777	R	Octal
Timers (Bit)	T	T	0 to 377	R	Octal
Counters (Bit)	CT	CT	0 to 377	R	Octal
Stages (Bit)	S	S	0 to 1777	R/W	Octal
Remote Input (Bit)	GX	GX	0 to 3777	R/W	Octal
Remote Output (Bit)	GY	GY	0 to 3777	R/W	Octal



With a Bit Write operation, the word data is first read from the PLC, and a logic operation (AND or OR) is performed on the relevant bit before writing it to the PLC to ensure that the values of other bits in the same channel are preserved. However, be certain that the PLC does not modify the data in the channel during the time that the main unit is writing the data.

**Word Device**

Device Name	Device Type		Address Number Range	Read /Write	Address Numeral System
	Main unit	PLC			
Input Points (Word)	VX	V	40400 to 40477	R	Octal
Output Points (Word)	VY	V	40500 to 40577	R/W	Octal
Control Relays (Word)	VC	V	40600 to 40777	R/W	Octal
Special Relays (Word)	VSP	V	41200 to 41237	R	Octal
Timers (Word)	VT	V	41100 to 41117	R	Octal
Counters (Word)	VCT	V	41140 to 41157	R	Octal
Stages (Word)	VS	V	41000 to 41077	R/W	Octal
Timer Current Values	TA	V	0 to 377	R/W	Octal
Counter Current Values	CA	V	1000 to 1377	R/W	Octal
Data Words	V	V	400 to 777, 1200 to 7577, 10000 to 35777	R/W	Octal
System parameters	VSYS	V	700 to 777, 7400 to 7777, 36000 to 37777	R	Octal
Remote Input (Word)	VGI	V	40000 to 40177	R/W	Octal
Remote Output (Word)	VGY	V	40200 to 40377	R/W	Octal

## 14 FANUC

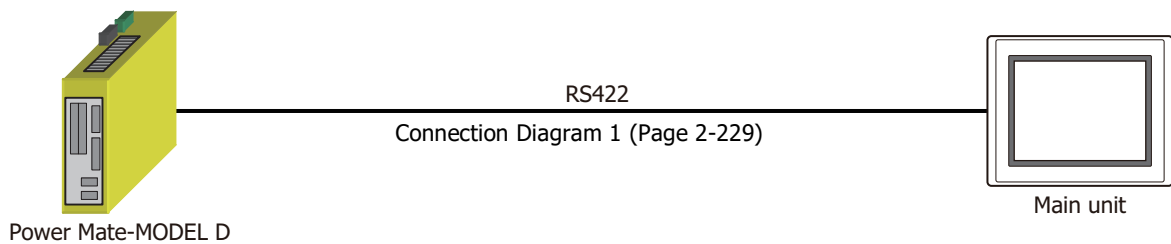
### 14.1 Connection Table

CPU Unit	Link Unit	WindO/I-NV4 Settings		
		Interface	Flow Control	Communication Driver
<b>Power Mate</b>				
Power Mate-MODEL D	Not required	RS422/485 4-wire Connection Diagram 1 (Page 2-229)	None	Power Mate-MODEL D /Series 16i
<b>Series</b>				
16i 160i 18i 180i 30i 31i 32i	Not required	RS232C Connection Diagram 2 (Page 2-230)	None	Power Mate-MODEL D /Series 16i

### 14.2 System Configuration

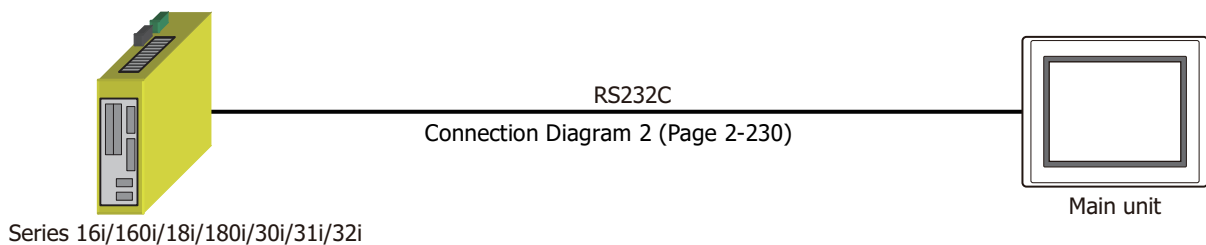
This is the system configuration for the connection of FANUC PLCs to the main unit.

- Power Mate-MODEL D



A touch-panel connection module (FANUC A20B-2902-0470) is needed for Power Mate-MODEL D.

- Series 16i/160i/18i/180i/30i/31i/32i



A touch-panel connection module is needed for Series 16i, 160i, 18i, 180i, 30i, 31i, 32i. For details, please contact FANUC LTD.

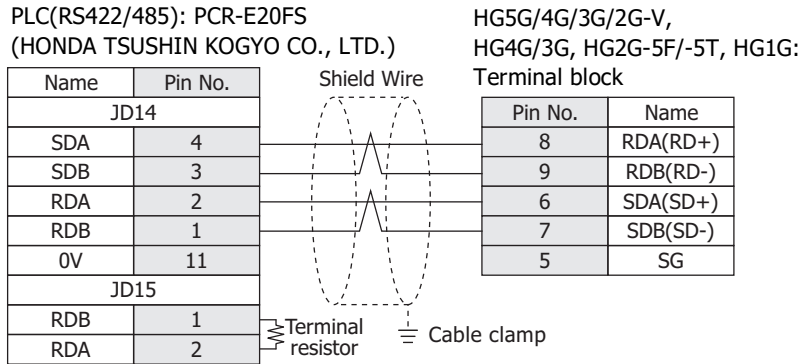


### 14.3 Connection Diagram



The connector types given in the Connection Diagrams are for the unit and not the cable. For details regarding wiring, refer to Chapter 1 "3 Important Points Regarding Wiring" on page 1-4.

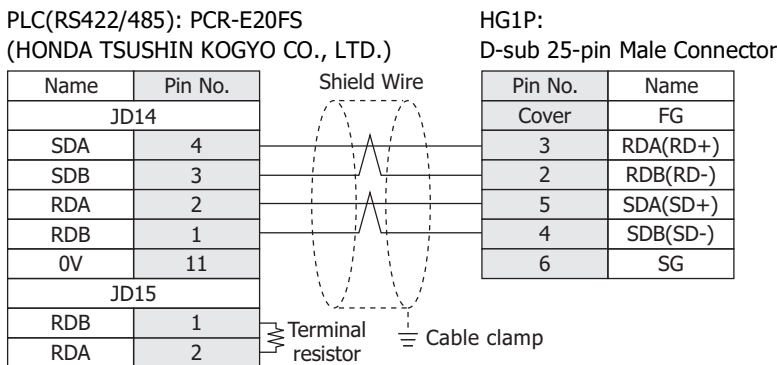
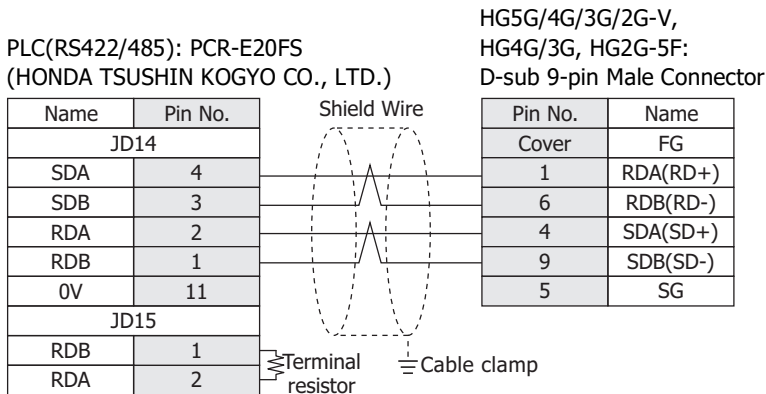
● Connection Diagram 1: Power Mate-MODEL D



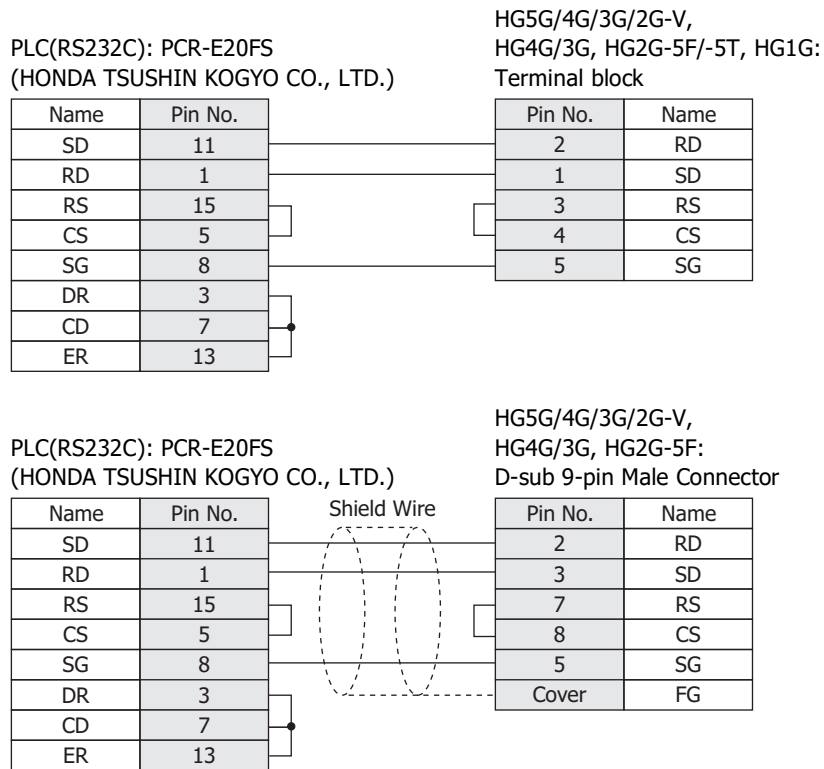
- Connect a terminus unit to JD15 by the side of Power Mate. For details of a terminus unit, refer to the manual of Power Mate-MODEL D.
- FG terminal of the main part of a motion controller should perform the 3rd-sort grounding.
- Ground a shield by the cable clamp.
- Configure the **Flow Control** to **None**, because the terminal block of the HG5G/4G/3G/2G-V, HG4G/3G, HG2G-5F/-5T, HG1G doesn't have control lines.



Insert a terminating resistor, if necessary. For the setting method, refer to Chapter 1 "3 Important Points Regarding Wiring" on page 1-4.



● Connection Diagram 2: Series 16i/160i/18i/180i/30i/31i/32i



14.4 Environment Settings

● Power Mate-MODEL D

Items		Details
Interface	Use the same settings as for the main unit.	RS422 4-wire
Slave Address		0
Baud Rate		19200 bps
Data Bits		8
Stop Bits		1
Parity		Even

● Series 16i/160i/18i/180i/30i/31i/32i

Items		Details
Interface	Use the same settings as for the main unit.	RS232C
Slave Address		0
Baud Rate		19200 bps
Data Bits		8
Stop Bits		1
Parity		Even

## 14.5 Usable Device Addresses

- Power Mate-MODEL D, Series 16i/160i/18i/180i/30i/31i/32i

### Bit Device

Device Name	Device Type		Address Number Range	Read /Write	Address Numeral System
	Main unit	PLC			
Input Relay	X	X	0 to 99997	R/W	*1
Output Relay	Y	Y	0 to 99997	R/W	*1
Int. Relay	R	R	0 to 99997	R/W	*1
Keep Relay	K	K	0 to 99997	R/W	*1
Expansion Relay	E	E	0 to 99997	R/W	*1

### Word Device

Device Name	Device Type		Address Number Range	Read /Write	Address Numeral System
	Main unit	PLC			
Input Relay	XW	X	0 to 9998*2	R/W	Decimal
Output Relay	YW	Y	0 to 9998*2	R/W	Decimal
Int. Relay	RW	R	0 to 9998*2	R/W	Decimal
Keep Relay	KW	K	0 to 9998*2	R/W	Decimal
Timer	T	T	0 to 9998*2	R/W	Decimal
Counter	C	C	0 to 9998*2	R/W	Decimal
Data Table	D	D	0 to 9998*2	R/W	Decimal
Expansion Relay	EW	E	0 to 9998*2	R/W	Decimal



The device type and the address number range vary based on the PLC model. For details, refer to the PLC manual.

\*1 The first four digits are in decimal and the last digit is in octal.

\*2 This external device address is handled with two address numbers as one device address in WindO/I-NV4. Therefore, you can specify an even address number only.

## 15 Yokogawa Electric

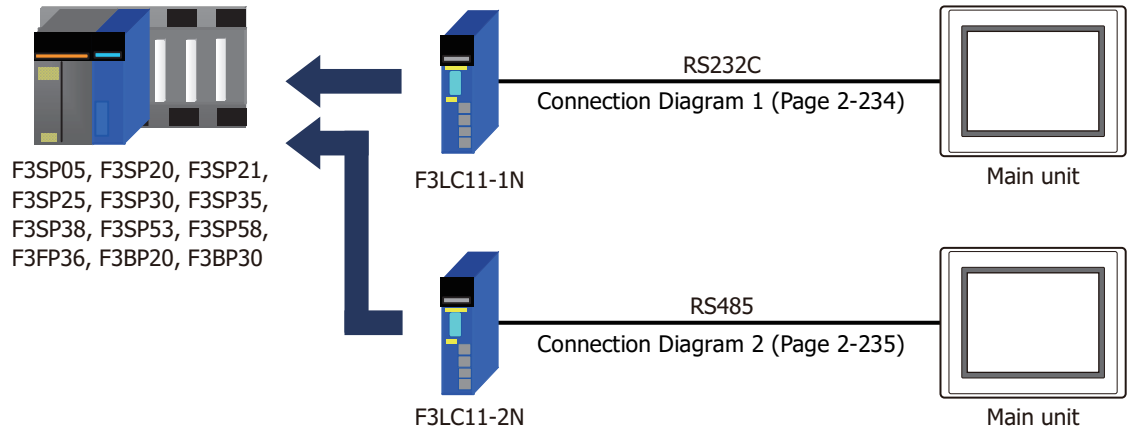
### 15.1 Connection Table

CPU Unit	Link Unit	WindO/I-NV4 Settings		
		Interface	Flow Contro	Communication Driver
<b>FA-M3</b>				
F3SP05 F3SP20 F3SP21 F3SP25 F3SP30 F3SP35 F3SP38 F3SP53 F3SP58 F3FP36 F3BP20 F3BP30	F3LC11-1N	RS232C Connection Diagram 1 (Page 2-234)	ER	FACTORY ACE FA-M3
F3SP21 F3SP25 F3SP30 F3SP35 F3SP38 F3SP53 F3SP58 F3FP36 F3BP20 F3BP30	F3LC11-2N	RS422/485 4-wire Connection Diagram 2 (Page 2-235)	None	
F3SP05 F3SP21 F3SP25 F3SP28 F3SP35 F3SP38 F3SP53 F3SP58	Not required	RS232C Connection Diagram 3 (Page 2-236)		
F3SP05-0P F3SP08-0P F3SP21-0N F3SP22-0S F3SP25-2N F3SP28-3N F3SP28-3S F3SP35-5N F3SP38-6N F3SP38-6S F3SP53-4H F3SP53-4S F3SP58-6H F3SP58-6S F3SP59-7S F3SP66-4S F3SP67-6S F3SP71-4N F3SP76-7N	F3LE01-0T F3LE01-5T F3LE11-0T F3LE12-0T	Ethernet	-	FACTORY ACE FA-M3(Ethernet)
F3SP66-4S F3SP67-6S F3SP71-4N F3SP76-7N	Not required			

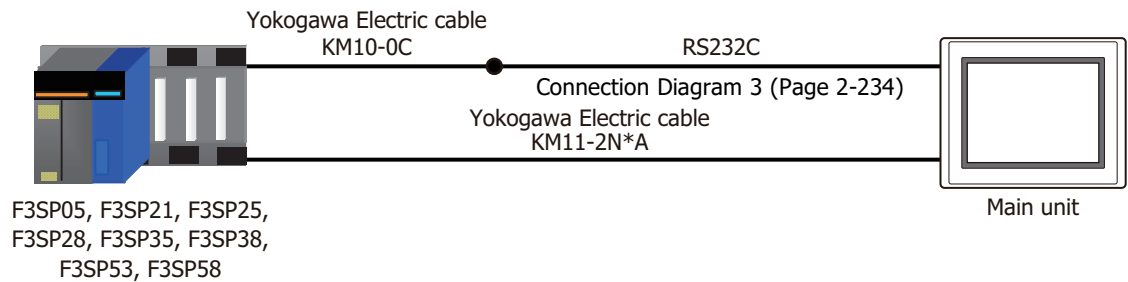
## 15.2 System Configuration

This is the system configuration for the connection of Yokogawa Electric PLCs to the main unit.

### ● FA-M3 series (Serial)



We recommend F3LC11-2N side to carry a "4-WIRE" setup of the terminus resistance (TERMINATOR) in long-distance transmission.

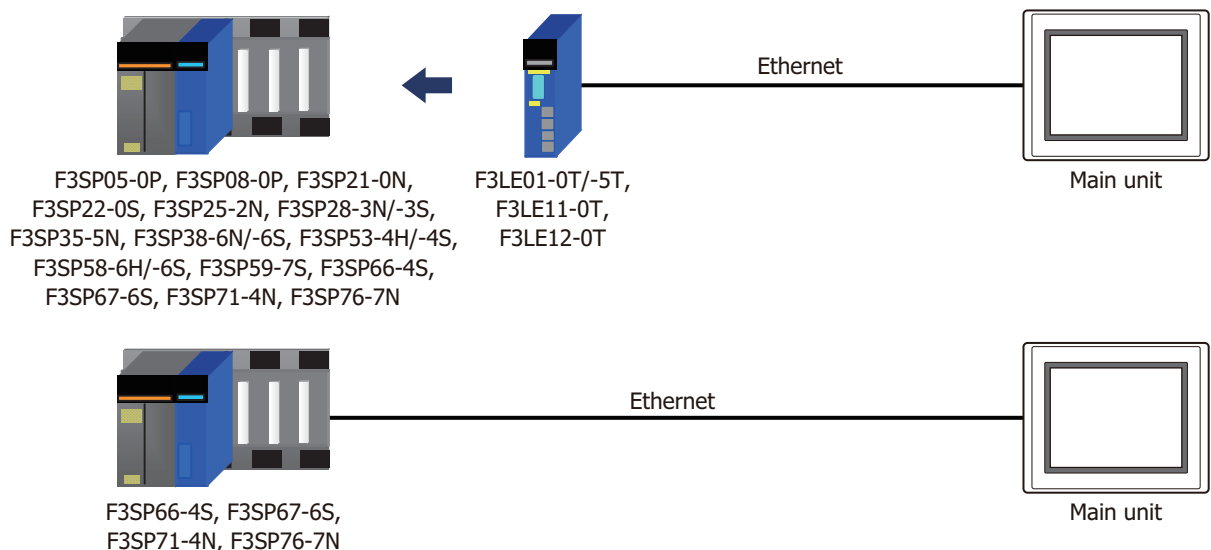


It does not correspond to "CPU direct connection system" of F3SP20 and F3SP30.



It connects with the port for programming tools of a CPU unit.

### ● FA-M3 series (Ethernet)

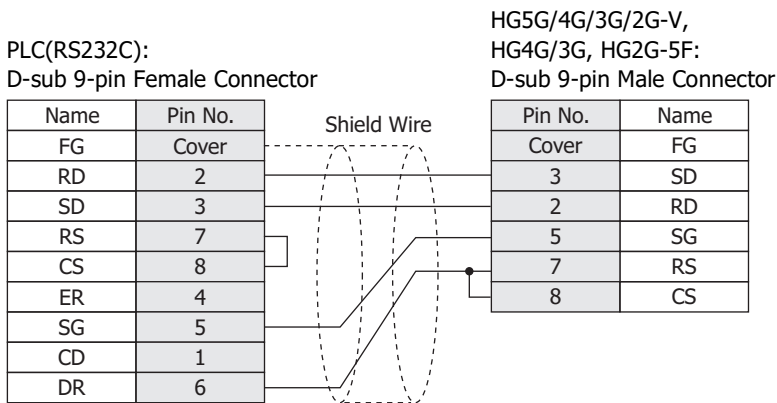
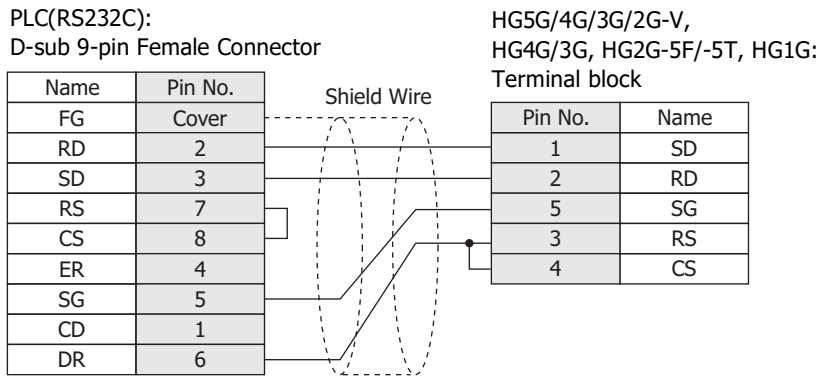


### 15.3 Connection Diagram

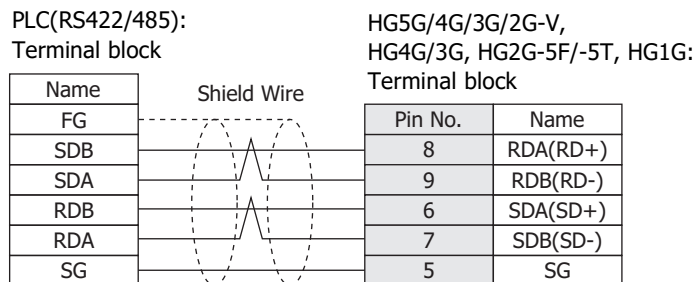


The connector types given in the Connection Diagrams are for the unit and not the cable. For details regarding wiring, refer to Chapter 1 "3 Important Points Regarding Wiring" on page 1-4.

● Connection Diagram 1: F3LC11-1N



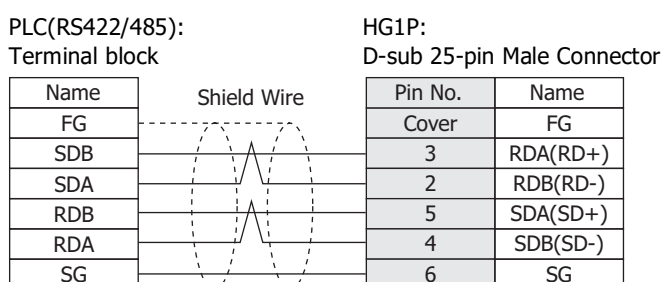
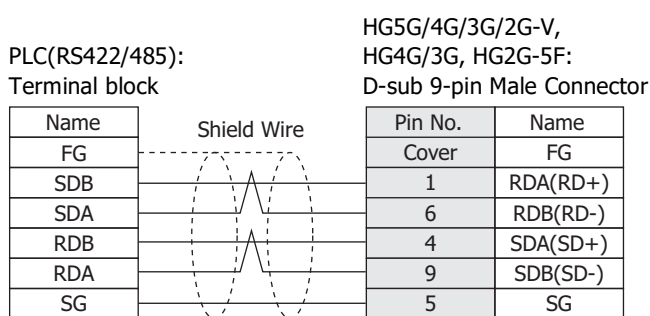
## ● Connection Diagram 2: F3LC11-2N



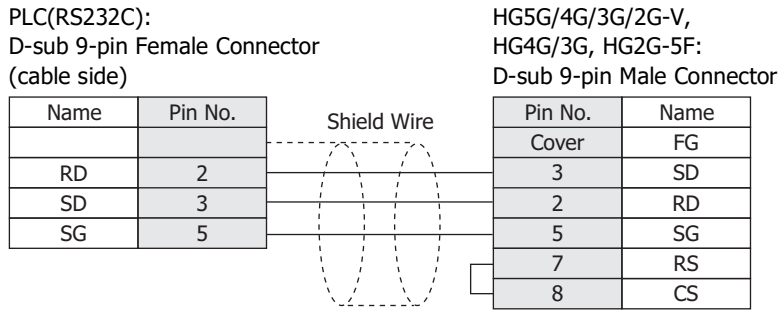
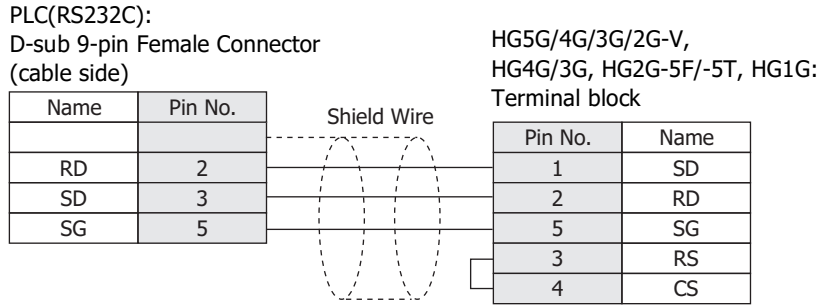
- Configure the **Flow Control** to **None**, because the terminal block of the HG5G/4G/3G/2G-V, HG4G/3G, HG2G-5F/-5T, HG1G doesn't have control lines.
- In the main unit and PLC, the name of A pole and B pole is reverse.



Insert a terminating resistor, if necessary. For the setting method, refer to Chapter 1 "3 Important Points Regarding Wiring" on page 1-4.



● Connection Diagram 3: FA-M3 (Yokogawa Electric Cable KM10-0C)





## 15.4 Environment Settings

### ● FA-M3 Link Unit (F3LC11-1N/-2N)

Items		Details
Interface	Use the same settings as for the main unit.	RS232C or RS485 4-wire
CPU Number		1(0x01) to 4(0x04)(Hexadecimal)
Station Number		1 (Decimal)
Baud Rate		19200 or 9600 bps
Data Bits		7 or 8
Stop Bits		1 or 2
Parity		None, Odd or Even
Sum check		Enable
Terminus character specification		Enable
Protection function		Disable

### ● FA-M3 CPU (Programming Tool port)

Items		Details
Interface	Use the same settings as for the main unit.	RS232C
Station Number		1 (Decimal)
Baud Rate		19200 or 9600 bps
Data Bits		8
Stop Bits		1
Parity		Even or None
Sum check		Enable
Terminus character specification		Enable

### ● FA-M3 via Ethernet

Set the following items on the Project Settings dialog box in WindO/I-NV4.

Tab Name	Item	Setting
Communication Interface	IP Address	Set the IP address of the main unit.
	Subnet Mask	Set the subnet mask of the main unit.
	Default Gateway	Set the default gateway of the main unit.
Communication Driver Network	IP Address	Set the IP address of CPU unit or Link unit.
	Port Number	Set the IP address of CPU unit or Link unit.
	CPU Number	Set the slot number of the CPU unit to communicate with.

## 15.5 Usable Device Addresses

### ● FA-M3 (Serial)

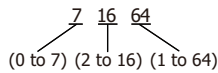
#### Bit Device

Device Name	Device Type		Address Number Range	Read /Write	Address Numeral System
	Main unit	PLC			
Input Relay	X	X	201 to 71664	R	*1
Output Relay	Y	Y	201 to 71664	R/W	*1
Int. Relay	I	I	1 to 65536	R/W	Decimal
Comm. Relay	E	E	1 to 4096	R/W	Decimal
Link Relay	L	L	1 to 78192	R/W	*2
Spec. Relay	M	M	1 to 9984	R/W	Decimal
Timer Relay	TU	T	1 to 3072	R	Decimal
Counter Relay	CU	C	1 to 3072	R	Decimal

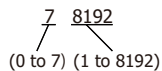
#### Word Device

Device Name	Device Type		Address Number Range	Read /Write	Address Numeral System
	Main unit	PLC			
Input Relay	XW	X	201 to 71649	R	*3
Output Relay	YW	Y	201 to 71649	R/W	*3
Int. Relay	IW	I	1 to 65521	R/W	Decimal
Comm. Relay	EW	E	1 to 4081	R/W	Decimal
Link Relay	LW	L	1 to 78177	R/W	*4
Spec. Relay	MW	M	1 to 9969	R/W	Decimal
Timer (Current Value)	TP	T	1 to 3072	R/W	Decimal
Timer (Preset Value)	TS	T	1 to 3072	R	Decimal
Counter (Current Value)	CP	C	1 to 3072	R/W	Decimal
Counter (Preset Value)	CS	C	1 to 3072	R	Decimal
Data Register	D	D	1 to 65536	R/W	Decimal
Comm. Register	R	R	1 to 4096	R/W	Decimal
File Register	B	B	1 to 99999	R/W	Decimal
Link Register	W	W	1 to 74096	R/W	*5
Spec. Register	Z	Z	1 to 1024	R/W	Decimal

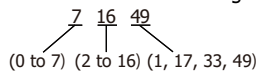
\*1 The address number range is as follows:



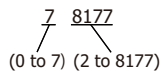
\*2 The address number range is as follows:



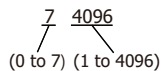
\*3 The address number range is as follows:



\*4 The address number range is as follows:



\*5 The address number range is as follows:



## ● FA-M3 (Ethernet)

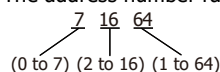
**Bit Device**

Device Name	Device Type		Address Number Range	Read /Write	Address Numeral System
	Main unit	PLC			
Input Relay (Bit)	X	X	00201 to 71664	R	Decimal*1
Output Relay (Bit)	Y	Y	00201 to 71664	R/W	Decimal*1
Int. Relay (Bit)	I	I	00001 to 65536	R/W	Decimal
Comm. Relay (Bit)	E	E	0001 to 4096	R/W	Decimal
Link Relay (Bit)	L	L	00001 to 78192	R/W	Decimal*2
Timer Relay (Bit)	TU	T	0001 to 3072	R/W	Decimal
Counter Relay (Bit)	CU	C	0001 to 3072	R/W	Decimal
Spec. Relay (Bit)	M	M	0001 to 9984	R/W	Decimal

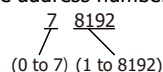
**Word Device**

Device Name	Device Type		Address Number Range	Read /Write	Address Numeral System
	Main unit	PLC			
Input Relay (Word)	XW	X	00201 to 71649	R	Decimal*3
Output Relay (Word)	YW	Y	00201 to 71649	R/W	Decimal*3
Int. Relay (Word)	IW	I	00001 to 65521	R/W	Decimal
Comm. Relay (Word)	EW	E	0001 to 4081	R/W	Decimal
Link Relay (Word)	LW	L	00001 to 78177	R/W	Decimal*4
Timer (Current Value)	TP	T	0001 to 3072	R	Decimal
Counter (Current Value)	CP	C	0001 to 3072	R	Decimal
Timer (Preset Value)	TS	T	0001 to 3072	R/W	Decimal
Counter (Preset Value)	CS	C	0001 to 3072	R/W	Decimal
Data Register	D	D	00001 to 65535	R/W	Decimal
Link Register	W	W	00001 to 78192	R/W	Decimal*5
File Register	B	B	00001 to 262144	R/W	Decimal
Spec. Relay (Word)	MW	M	0001 to 9969	R/W	Decimal
Spec. Register	Z	Z	0001 to 1024	R/W	Decimal
Comm. Register	R	R	0001 to 4096	R/W	Decimal
Index Register	V	V	001 to 256	R/W	Decimal
Cache register	F	F	000001 to 524288	R/W	Decimal

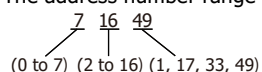
\*1 The address number range is as follows:



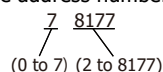
\*2 The address number range is as follows:



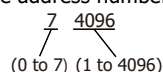
\*3 The address number range is as follows:



\*4 The address number range is as follows:



\*5 The address number range is as follows:



## 16 Fuji Electric

### 16.1 Connection Table

CPU Unit	Link Unit	WindO/I-NV4 Settings		
		Interface	Flow Control	Communication Driver
<b>FLEX-PC*1</b>				
NB1 NB2 NB3 NJ-CPU-E4 NJ-CPU-A8 NJ-CPU-B16 NS	Not required (Connects to CPU Unit)	RS232C Connection Diagram 2 (Page 2-246)	None	FLEX-PC(CPU)
		RS422/485 4-wire Connection Diagram 1 (Page 2-245)		
NB1 NB2 NB3	NB-RS1-AC NB-RS1-DC	RS232C Connection Diagram 3 (Page 2-246)	ER	FLEX-PC(LINK)
		RS422/485 4-wire Connection Diagram 4 (Page 2-247)	None	
NJ-CPU-E4 NJ-CPU-A8 NJ-CPU-B16	NJ-RS2 NJ-RS4	RS232C Connection Diagram 3 (Page 2-246)	ER	
		RS422/485 4-wire Connection Diagram 4 (Page 2-247)	None	
NS	NS-RS1	RS232C Connection Diagram 3 (Page 2-246)	ER	
		RS422/485 4-wire Connection Diagram 4 (Page 2-247)	None	
<b>MICREX-F*1</b>				
F55	NV1L-RS2	RS232C Connection Diagram 5 (Page 2-248)	None	MICREX-F
F70	NC1L-RS2	RS232C Connection Diagram 5 (Page 2-248)		
	NC1L-RS4	RS422/485 4-wire Connection Diagram 6 (Page 2-249)		
F80H F120H F120S F140S F150S	FFU120B	RS232C Connection Diagram 5 (Page 2-248)		
		RS422/485 4-wire Connection Diagram 6 (Page 2-249)		
F30 F50 F50H F55 F60 F70 F70S F80H F81 F120H F120S F140S F150S F250	FFK120A-C10	RS232C Connection Diagram 5 (Page 2-248)	None	
		RS422/485 4-wire Connection Diagram 6 (Page 2-249)		

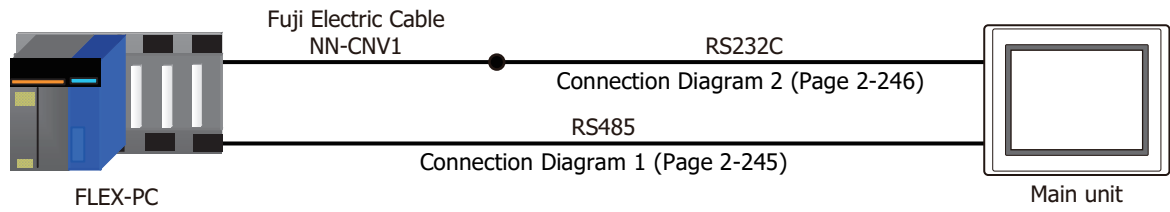
\*1 HG5G/4G/3G/2G-V, HG4G/3G, HG2G-5F/-5T, HG1G/1P only

CPU Unit	Link Unit	WindO/I-NV4 Settings		
		Interface	Flow Control	Communication Driver
<b>MICREX-SX</b>				
NP1PH-08 NP1PH-16 NP1PS-32 NP1PS-32R NP1PS-74R NP1PS-117R NP1PS-245R NP1PS-74D NP1PM-48R NP1PM-48E NP1PM-256E NP1PM-256H NP1PU-048E NP1PU-128E NP1PU-256E	Not required (Connect to CPU Unit Loader Connection Connector) NP4H-CB2 + NW0H-CNV	RS232C Connection Diagram 7 (Page 2-250)	None	MICREX-SX
	NP1L-RS1	RS232C Connection Diagram 8 (Page 2-250)		
		RS422/485 4-wire Connection Diagram 9 (Page 2-251)		
	NP1L-RS2	RS232C Connection Diagram 8 (Page 2-250)		
	NP1L-RS4	RS422/485 4-wire Connection Diagram 9 (Page 2-251)		
NP1PH-08 NP1PH-16 NP1PS-32 NP1PS-32R NP1PS-74R NP1PS-117R NP1PS-245R NP1PS-74D NP1PM-48R NP1PM-256H	NP1L-ET1	Ethernet	-	MICREX-SX (Ethernet)
NP1PM-48E NP1PM-256E NP1PU-048E NP1PU-128E NP1PU-256E	Not required (Connect to Ethernet port)			
	NP1L-ET1			

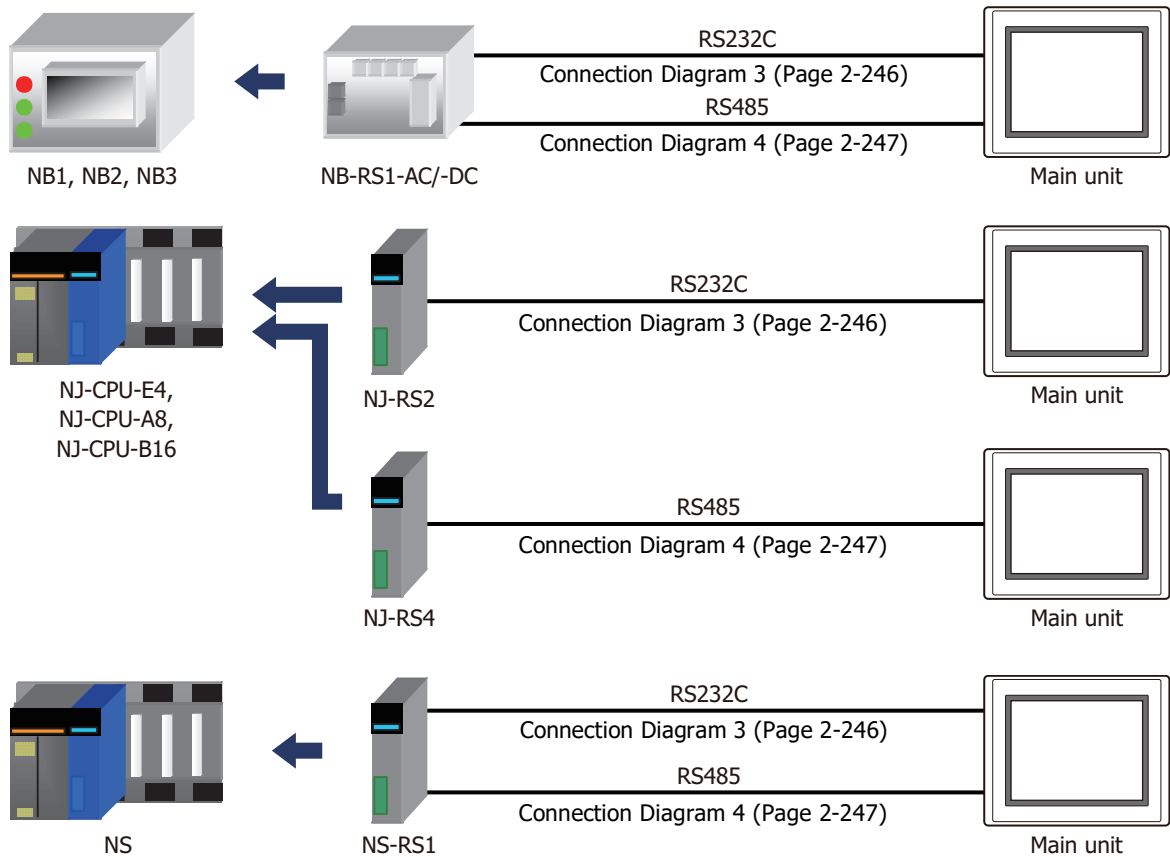
## 16.2 System Configuration

This is the system configuration for the connection of Fuji Electric PLCs to the main unit.

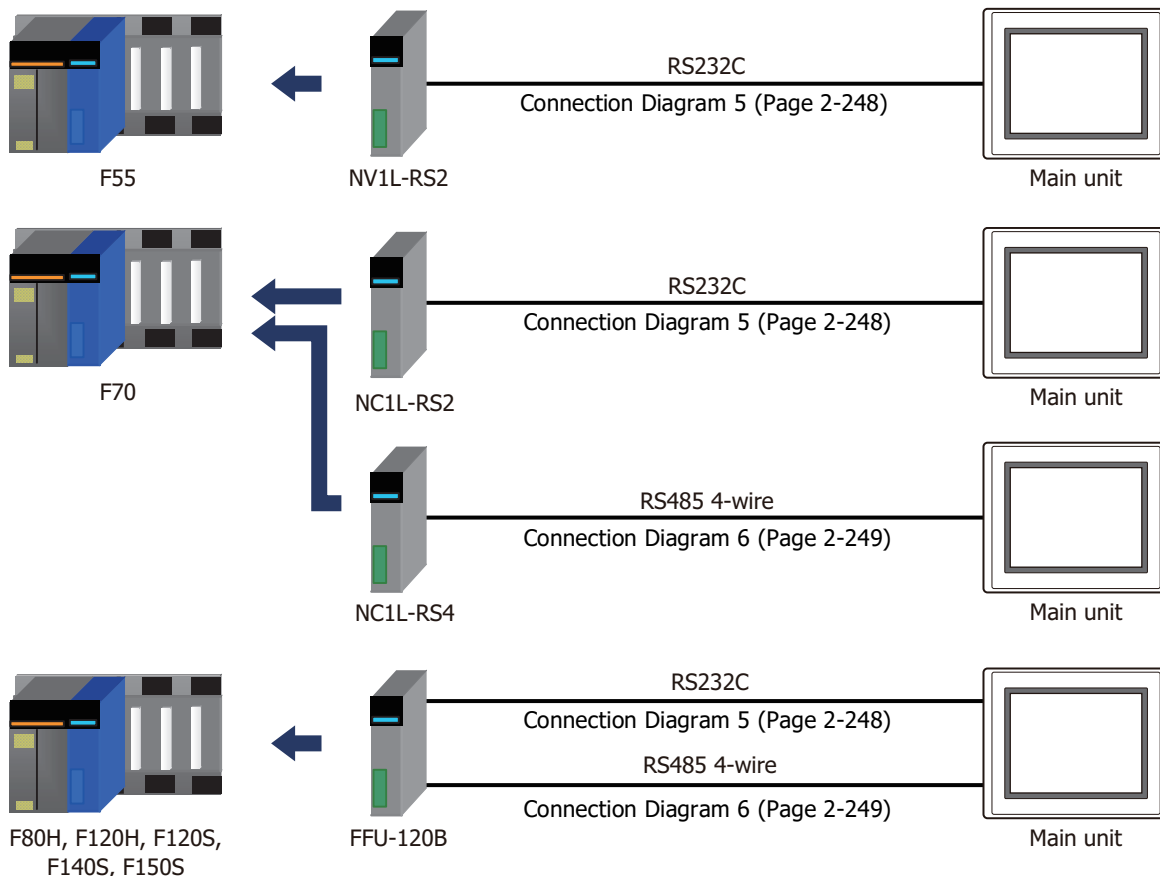
- FLEX-PC Series (Loader port)



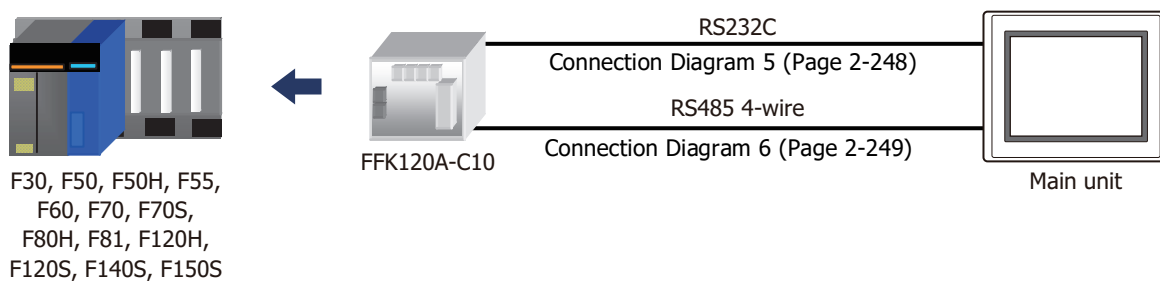
- FLEX-PC Series (Interface Module)



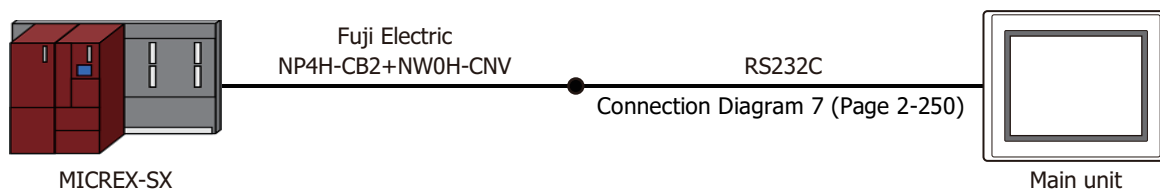
● MICREX-F Series (Interface Card)



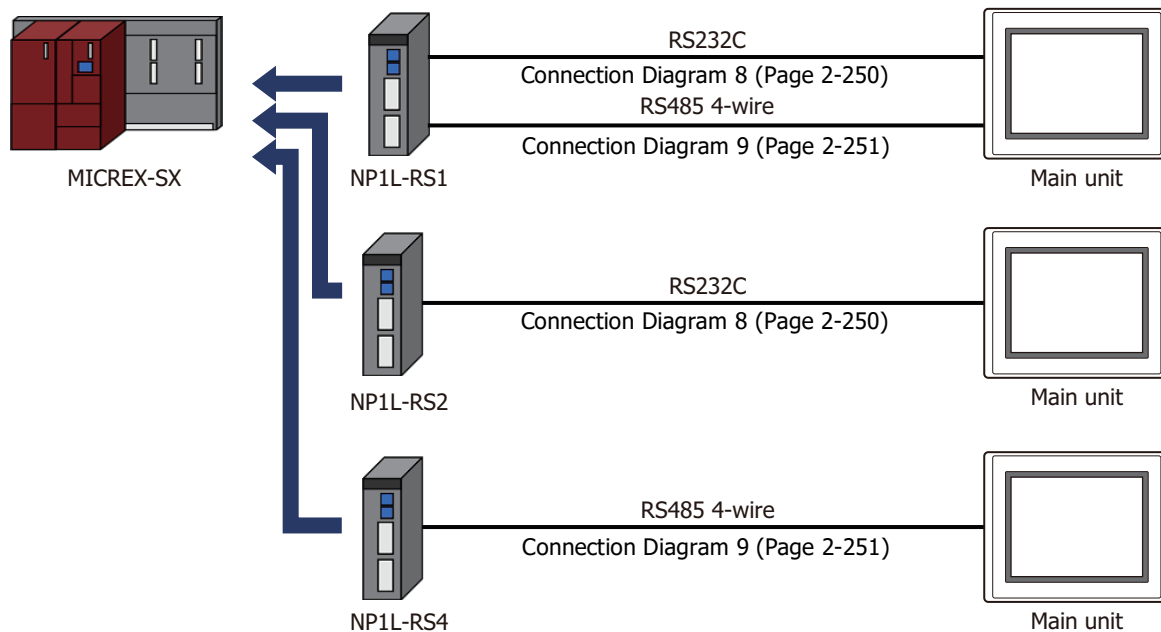
● MICREX-F Series (Interface Module)



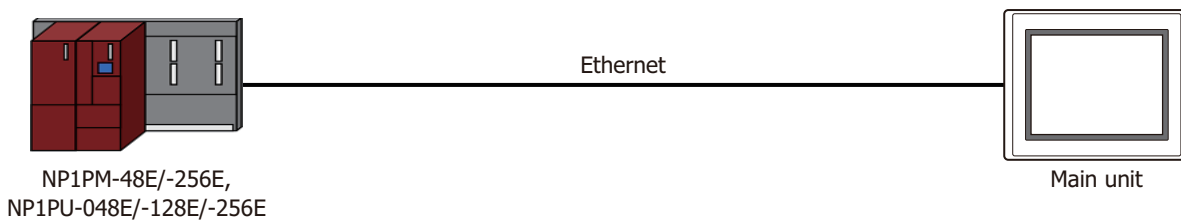
● MICREX-SX Series (Connects to Loader Connection Connector on CPU Unit)



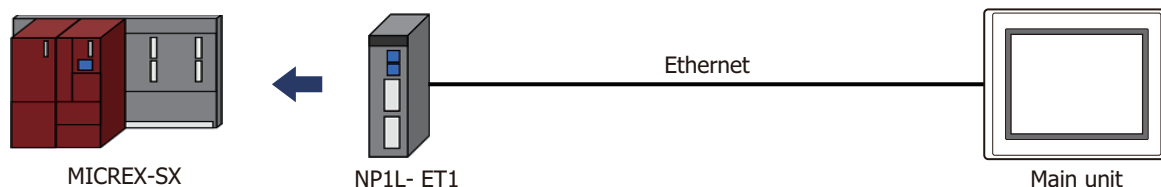
● MICREX-SX Series (Interface Module)



● MICREX-SX Series (Connects to Ethernet port on CPU Unit)



● MICREX-SX Series (Ethernet Module)



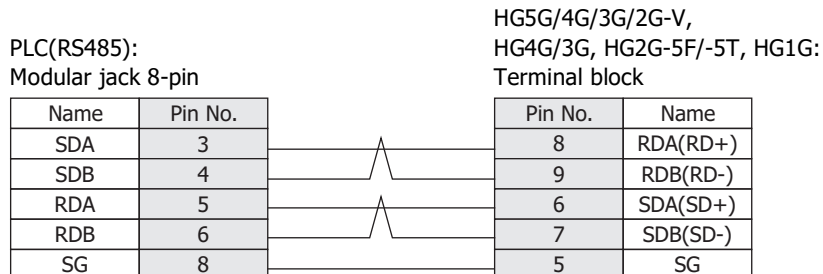


## 16.3 Connection Diagram

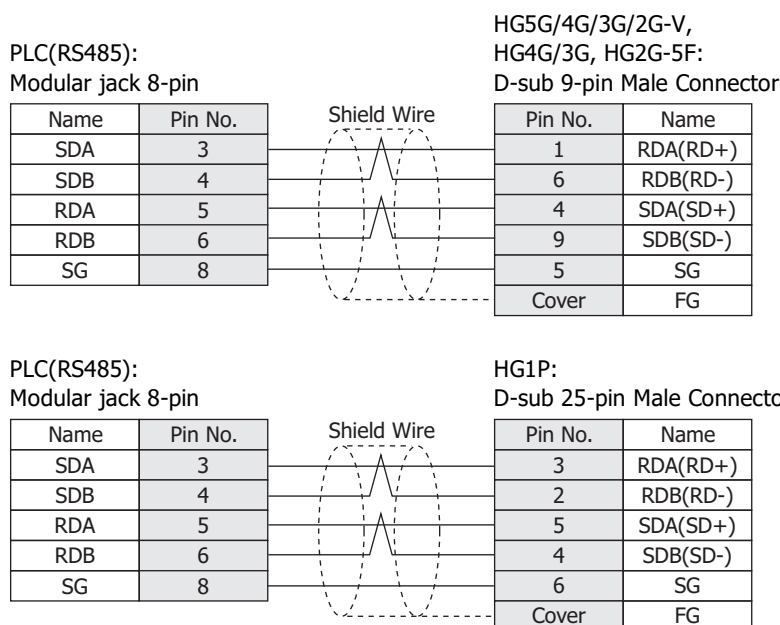


The connector types given in the Connection Diagrams are for the unit and not the cable. For details regarding wiring, refer to Chapter 1 "3 Important Points Regarding Wiring" on page 1-4.

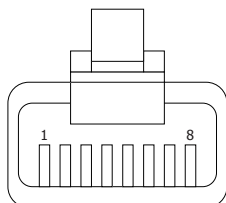
### ● Connection Diagram 1: FLEX-PC series (Loader port)



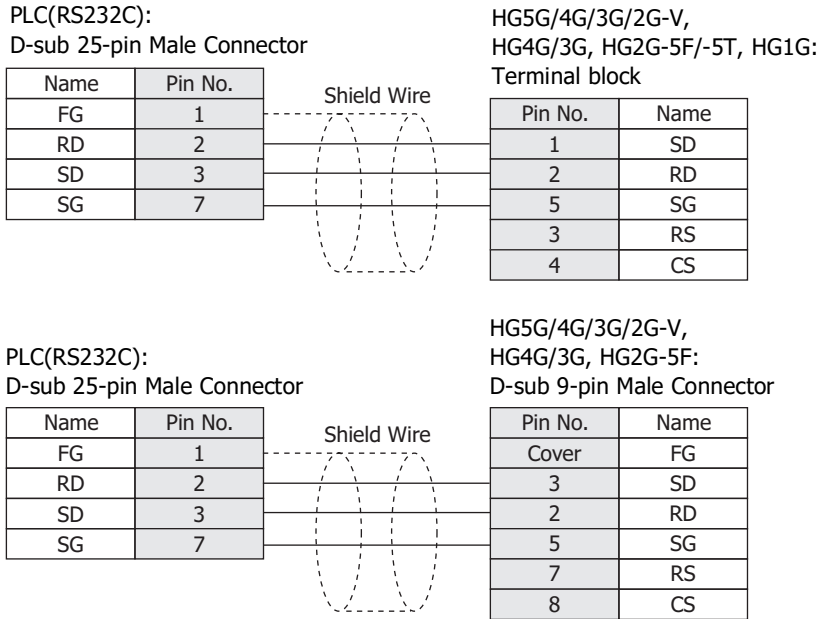
Insert a terminating resistor, if necessary. For the setting method, refer to Chapter 1 "3 Important Points Regarding Wiring" on page 1-4.



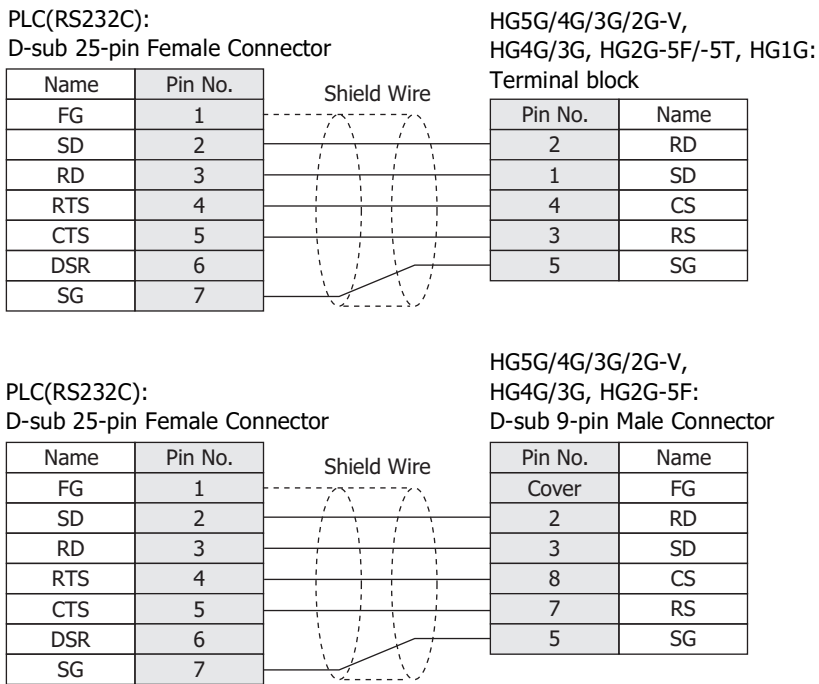
### Connector Pin Layout for PLC side Modular jack



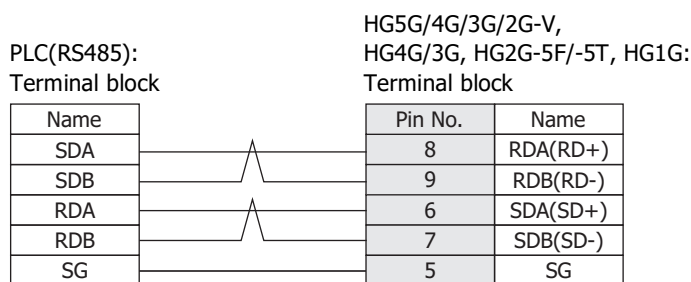
● Connection Diagram 2: FLEX-PC series (Loader port) + NN-CNV1



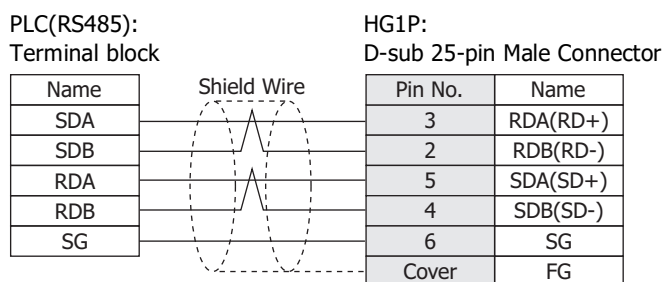
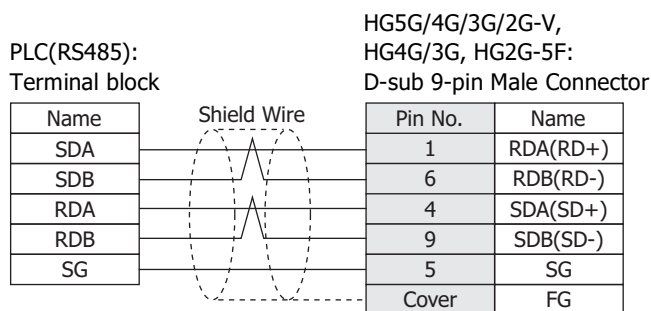
● Connection Diagram 3: FLEX-PC Series (Link Module RS232C port)



● Connection Diagram 4: FLEX-PC Series (Link Module RS485 port)



Insert a terminating resistor, if necessary. For the setting method, refer to Chapter 1 "3 Important Points Regarding Wiring" on page 1-4.



● Connection Diagram 5: MICREX-F Series (RS232C port)

PLC(RS232C):  
D-sub 25-pin Female Connector

Name	Pin No.
5V	1
SD	2
RD	3
RTS	4
CTS	5
DSR	6
SG	7
CD	8
DTR	20
CI	22

HG5G/4G/3G/2G-V,  
HG4G/3G, HG2G-5F/-5T, HG1G:  
Terminal block

Pin No.	Name
2	RD
1	SD
3	RS
4	CS
5	SG

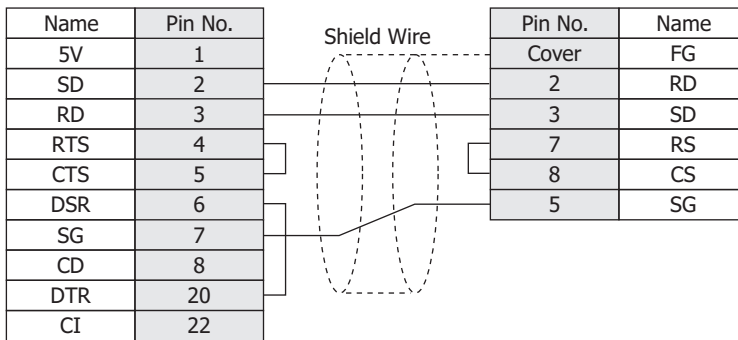
PLC(RS232C):  
D-sub 25-pin Female Connector

Name	Pin No.
5V	1
SD	2
RD	3
RTS	4
CTS	5
DSR	6
SG	7
CD	8
DTR	20
CI	22

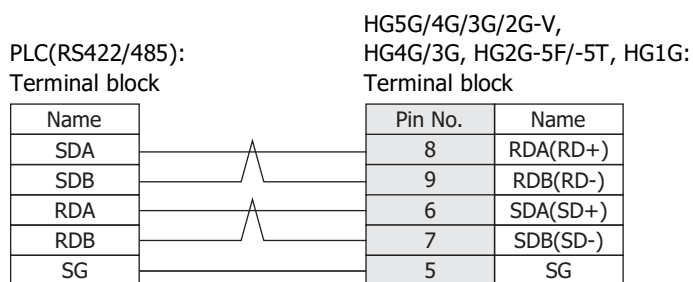
HG5G/4G/3G/2G-V,  
HG4G/3G, HG2G-5F:  
D-sub 9-pin Male Connector

Pin No.	Name
Cover	FG
2	RD
3	SD
7	RS
8	CS
5	SG

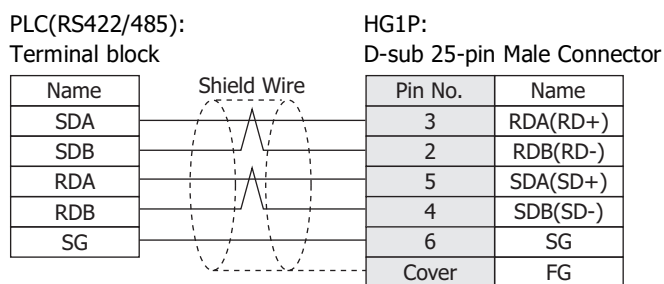
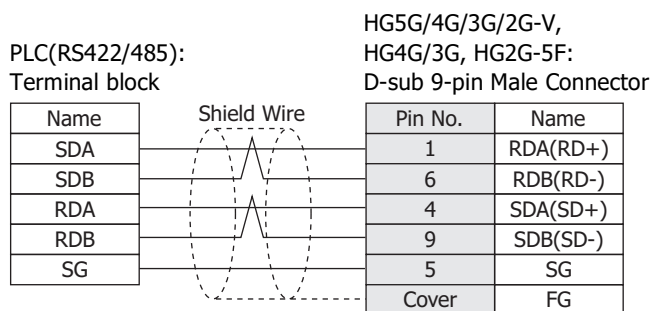
Shield Wire



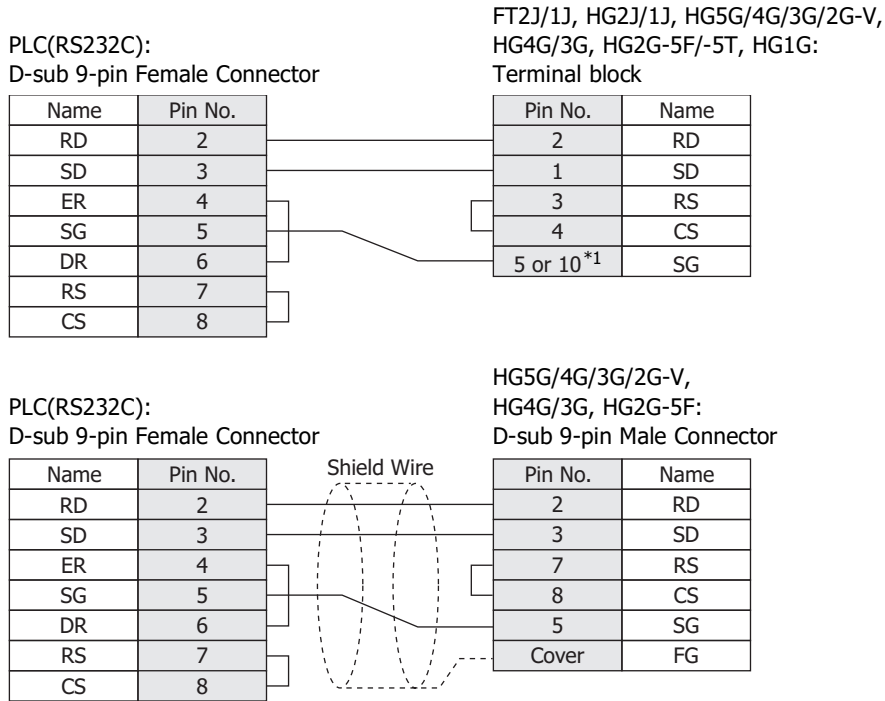
● Connection Diagram 6: MICREX-F Series (RS485 port)



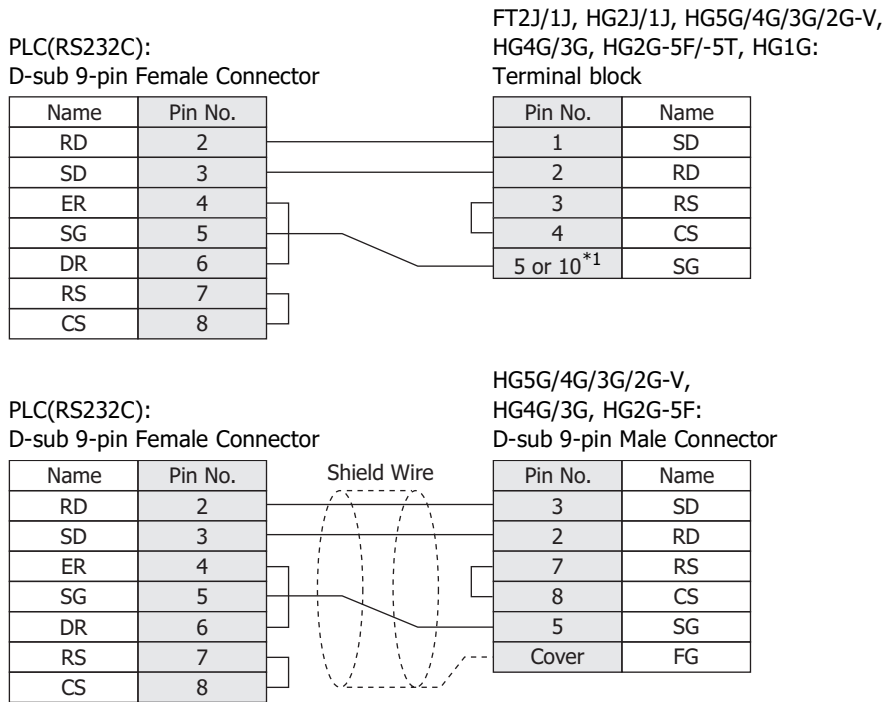
Insert a terminating resistor, if necessary. For the setting method, refer to Chapter 1 "3 Important Points Regarding Wiring" on page 1-4.



● Connection Diagram 7: MICREX-SX series (Loader Connection Connector)



● Connection Diagram 8: MICREX-SX series (RS232C port)



\*1 FT1J, HG1J only

● Connection Diagram 9: MICREX-SX series (RS485 port)

PLC(RS422/485):  
D-sub 9-pin Male Connector

Name	Pin No.
SDA	2
SDB	1
RDA	9
RDB	8
SG	5

FT2J/1J, HG2J/1J, HG5G/4G/3G/2G-V,  
HG4G/3G, HG2G-5F/-5T, HG1G:  
Terminal block

Pin No.	Name
8	RDA(RD+)
9	RDB(RD-)
6	SDA(SD+)
7	SDB(SD-)
5 or 10 <sup>*1</sup>	SG

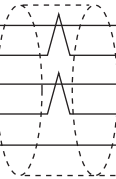


Insert a terminating resistor, if necessary. For the setting method, refer to Chapter 1 "3 Important Points Regarding Wiring" on page 1-4.

PLC(RS422/485):  
D-sub 9-pin Male Connector

Name	Pin No.
SDA	2
SDB	1
RDA	9
RDB	8
SG	5

Shield Wire



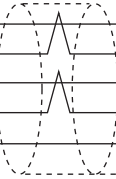
HG5G/4G/3G/2G-V,  
HG4G/3G, HG2G-5F:  
D-sub 9-pin Male Connector

Pin No.	Name
1	RDA(RD+)
6	RDB(RD-)
4	SDA(SD+)
9	SDB(SD-)
5	SG
Cover	FG

PLC(RS422/485):  
D-sub 9-pin Male Connector

Name	Pin No.
SDA	2
SDB	1
RDA	9
RDB	8
SG	5

Shield Wire



HG1P:  
D-sub 25-pin Male Connector

Pin No.	Name
3	RDA(RD+)
2	RDB(RD-)
5	SDA(SD+)
4	SDB(SD-)
6	SG
Cover	FG

\*1 FT1J, HG1J only

## 16.4 Environment Settings

- FLEX-PC (CPU) to the main unit settings

Items		Details
Interface		RS232C or RS485 4-wire
Baud Rate	Use the same settings as for the main unit.	19200 bps
Data Bits		8
Stop Bits		1
Parity		Odd
Flow Control		None

- FLEX-PC (Link Module) to the main unit settings

Items		Items	
Interface		RS232C	RS485 4-wire
Operation Modes*1		Command-setting-type start-stop synchronization non sequenced format	
Baud Rate	Use the same settings as for the main unit.	19200, 9600, 4800, 2400 or 1200 bps	
Data Bits		7 or 8	
Stop Bits		1 or 2	
Parity		None, Odd or Even	
Flow Control		None or ER	
Station Number	-	0 to 99 (Decimal)	



For details of communication setting, refer to the FLEX-PC user's manual.

\*1 Set up the mode switch of Interface Module as below.

RS232C: No.1

RS485: No.3



FLEX-PC Communication Setting

When you would like to set up the communication setting with the initialization file, refer to the following setup. Set up item of 4, 5, 6, and 7 as well as the main unit settings.

No.	Item	0	1	2	3	4	5	6	7
1	Transmission type	Non sequenced format							
2	Mode		Setting						
3	Received Message No.	0							
4	Baud Rate			1200	2400	4800	9600	19200	
5	Data bit size	7	8						
6	Parity bit	None	Odd	Even					
7	Stop bit size	1		2					
8	DCE/DTE mode		DTE						
9	CTS/RTS control		Constantly ON						
10	DSR/DTR control	Constantly ON							
11	Transmission conditions			None					
13	Transmission code	JIS							
14	Code conversion		Yes						
15	Received data byte size	0							
16	Start code		STX						
17	End code			CR					
18	Start code 1,2	0							
19	End code 1,2	0							
20	BCC		Setting1						
21	Position (range)	TEXT							
22	Calculation formula			EOR					
23	Code	Transmission code							
24	Timer								

● MICREX-F Interface Card or Interface Module

Items		Details	
Interface		RS232C	RS485 4-wire
Operation Modes*1		Command-setting-type start-stop synchronization non sequenced format	
Baud Rate	Use the same settings as for the main unit.	115200, 57600, 38400, 19200, 9600, 4800, 2400 or 1200 bps	
Data Bits*2		7 or 8	
Stop Bits*2		1 or 2	
Parity*2		None, Odd or Even	
Flow Control		None	
Station Number		0	0 to 99 (Decimal)



For details of communication setting, refer to the MICREX-F user's manual.

● MICREX-SX series (connecting to the CPU Unit loader connection Connector or using the Interface Module.)

Items		Details	
Interface		RS232C or RS485	
Baud Rate	Use the same settings as for the main unit.	38400 bps	
Data Bits		8	
Stop Bits		1	
Parity		Even	
Flow Control		None	



When you connect to the Interface Module, set the RS232C or RS485 operation mode as loader setting. Set up the mode switch of Interface Module as below.

- RS232C: No.1 or No.3
- RS485: No.2 or No.3

\*1 Set up the mode switch of Interface Card or Interface Module as below.

- RS232C: No.1
- RS485: No.3

\*2 Set Character configuration switch to the following.

Switch	Configuration
8 Clear method	By switch
7 Parity bit ON/OFF	Same as the main unit
6 Parity bit Odd/Even	Same as the main unit
5 Data bit	Same as the main unit
4 Stop bit	Same as the main unit

- MICREX-SX series (connecting to the Ethernet port or using the Ethernet Module.)

#### The main unit Settings

Set the following items on the Project Settings dialog box in WindO/I-NV4.

Tab Name	Item	Setting
Communication Interface	IP Address	Set the IP address of the main unit in.
	Subnet Mask	Set the subnet mask of the main unit.
	Default Gateway	Set the default gateway of the main unit.
Communication Driver Network	IP Address	Set the IP address of PLC.
	Port Number	Set the port number of PLC. (Default: 507)

#### PLC Settings

Item	Setting
IP Address	Set the IP address of PLC.
Subnet mask	Set the subnet mask of PLC.
Default Gateway	Set the default gateway of PLC.

## 16.5 Usable Device Addresses

### ● FREX-PC

#### Bit Device

Device Name	Device Type		Address Number Range	Read /Write	Address Numeral System
	Main unit	PLC			
Int. Relay (Bit)	M	M	0 to 3FF	R/W	Hexadecimal
Input Relay (Bit)	X	X	0 to 7FF	R	Hexadecimal
Output Relay (Bit)	Y	Y	0 to 7FF	R/W	Hexadecimal
Exp. Int. Relay (Bit)	EM	M	400 to 1FFF	R/W	Hexadecimal
Latch Relay (Bit)	L	L	0 to 3FF	R/W	Hexadecimal
Exp. Latch Relay (Bit)	EL	L	400 to 1FFF	R/W	Hexadecimal
Step Relay (Bit)	S	S	0 to 3FF	R/W	Hexadecimal
Spec. Relay (Bit)	SM	SM	8000 to 81FF	R/W	Hexadecimal
Timer (Relay)	T	T	0 to 3FF	R	Hexadecimal
Counter (Relay)	C	C	0 to 1FF	R	Hexadecimal

#### Word Device

Device Name	Device Type		Address Number Range	Read /Write	Address Numeral System
	Main unit	PLC			
Data Register	D	D	0 to 2FFF	R/W	Hexadecimal
Input Relay (Word)	WX	X	0 to 7F	R	Hexadecimal
Output Relay (Word)	WY	Y	0 to 7F	R/W	Hexadecimal
Int. Relay (Word)	WM	M	0 to 3F	R/W	Hexadecimal
Exp. Int. Relay (Word)	WEM	M	40 to 1FF	R/W	Hexadecimal
Latch Relay (Word)	WL	L	0 to 3F	R/W	Hexadecimal
Exp. Latch Relay (Word)	WEL	L	40 to 1FF	R/W	Hexadecimal
Step Relay (Word)	WS	S	0 to 3F	R/W	Hexadecimal
Spec. Relay (Word)	WSM	M	800 to 81F	R/W	Hexadecimal
Timer (Current Value)	TN	T	0 to 3FF	R	Hexadecimal
Counter (Current Value)	CN	C	0 to 1FF	R	Hexadecimal
Spec. Register	SD	D	8000 to 837F	R/W	Hexadecimal
Link Register	W	W	0 to 3FFF	R/W	Hexadecimal
File Register	R	R	0 to 7FFF	R/W	Hexadecimal

## ● MICREX-F

**Bit Device**

Device Name	Device Type		Address Number Range	Read /Write	Address Numeral System
	Main unit	PLC			
In.Output Relay (Bit)	B	B	0 to 511F	R/W	Hexadecimal
Int.Relay (Bit)	M	M	0 to 511F	R/W	Hexadecimal
Keep Relay (Bit)	K	K	0 to 63F	R/W	Hexadecimal
Edge Relay (Bit)	D	D	0 to 63F	R/W	Hexadecimal
Spec.Relay (Bit)	F	F	0 to 125F	R	Hexadecimal
Link Relay (Bit)	L	L	0 to 511F	R/W	Hexadecimal
Ann.Relay (Bit)	A	A	0 to 45F	R/W	Hexadecimal

**Word Device**

Device Name	Device Type		Address Number Range	Read /Write	Address Numeral System
	Main unit	PLC			
InOut Relay (Word)	WB	WB	0 to 511	R/W	Decimal
Di.InOut Relay (Word)	W24	W24	0 to 159	R/W	Decimal
Int.Relay (Word)	WM	WM	0 to 511	R/W	Decimal
Keep Relay (Word)	WK	WK	0 to 63	R/W	Decimal
Edge Relay (Word)	WD	WD	0 to 63	R/W	Decimal
Link Relay (Word)	WL	WL	0 to 511	R/W	Decimal
Spec.Relay (Word)	WF	WF	0 to 125	R	Decimal
Ann.Relay (Word)	WA	WA	0 to 45	R/W	Decimal
FileMemo.0 (Word)	W30	W30	0 to 4095	R/W	Decimal
FileMemo.1 (Word)	W31	W31	0 to 4095	R/W	Decimal
FileMemo.2 (Word)	W32	W32	0 to 4095	R/W	Decimal
FileMemo.3 (Word)	W33	W33	0 to 4095	R/W	Decimal
FileMemo.4 (Word)	W34	W34	0 to 4095	R/W	Decimal
FileMemo.5 (Word)	W35	W35	0 to 4095	R/W	Decimal
FileMemo.6 (Word)	W36	W36	0 to 4095	R/W	Decimal
FileMemo.7 (Word)	W37	W37	0 to 4095	R/W	Decimal
DataMemo (16bit)	WBD	WBD	0 to 4095	R/W	Decimal
DataMemo (32bit)	BD	BD	0 to 4095	R/W	Decimal
Timer0.01S (Curr.Value)	TR	TR	0 to 511	R/W	Decimal
Timer0.1S (Curr.Value)	W9	W9	0 to 511	R/W	Decimal
Timer0.01S (Set.Value)	TS	TS	0 to 511	R/W	Decimal
Counter (Curr.Value)	CR	CR	0 to 255	R/W	Decimal
Counter (Set.Value)	CS	CS	0 to 255	R/W	Decimal
FileMemo.0 (32bit)	W30	DW30	0 to 4095	R/W	Decimal
FileMemo.1 (32bit)	W31	DW31	0 to 4095	R/W	Decimal
FileMemo.2 (32bit)	W32	DW32	0 to 4095	R/W	Decimal
FileMemo.3 (32bit)	W33	DW33	0 to 4095	R/W	Decimal
FileMemo.4 (32bit)	W34	DW34	0 to 4095	R/W	Decimal
FileMemo.5 (32bit)	W35	DW35	0 to 4095	R/W	Decimal
FileMemo.6 (32bit)	W36	DW36	0 to 4095	R/W	Decimal
FileMemo.7 (32bit)	W37	DW37	0 to 4095	R/W	Decimal

## ● MICREX-SX

**Word Device**

Device Name	Device Type		Address Number Range	Read /Write	Address Numeral System
	Main unit	PLC			
Input Memory <sup>*1</sup>	-	%IW	-	-	-
Output Memory <sup>*1</sup>	-	%QW	-	-	-
Standard Memory	MW1	%MW1	0 to 2490367	R/W	Decimal
Retained Memory	MW3	%MW3	0 to 425983	R/W	Decimal
System Memory	MW10	%MW10	0 to 511	R/W	Decimal

\*1 The virtual addresses for I/O memory differs according to the system configuration. To read and write to the I/O memory area, handle this with indirect access through the standard memory in the MICREX-SX.

## 17 Toshiba

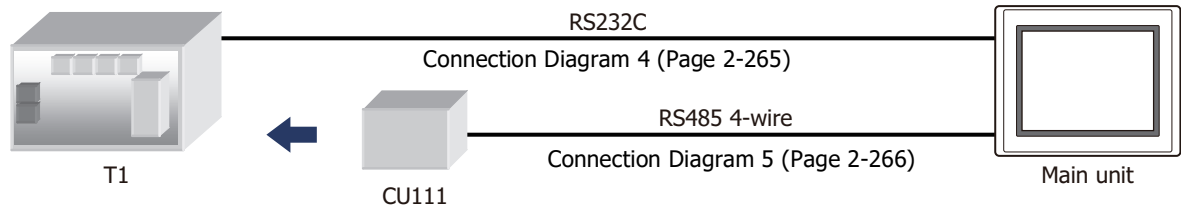
### 17.1 Connection Table

CPU Unit		Link Unit	WindO/I-NV4 Settings		
			Interface	Flow Control	Communication Driver
<b>PROSEC T-series</b>					
T1	T1-16 T1-28 T1-40	Not required (Connects to CPU Unit)	RS232C Connection Diagram 4 (Page 2-265)	ER	PROSEC T
		CU111	RS422/485 4-wire Connection Diagram 5 (Page 2-266)	None	
T1S	T1-40S	Not required (Connects to CPU Unit)	RS232C Connection Diagram 4 (Page 2-265)	ER	
		CU111	RS422/485 4-wire Connection Diagram 3 (Page 2-264)	None	
T2	PU224	Not required (Connects to CPU Unit)	RS422/485 4-wire Connection Diagram 1 (Page 2-262)		
T2E	PU234E	Not required (Connects to CPU Unit)	RS232C Connection Diagram 2 (Page 2-263)	ER	
		CM231E	RS422/485 4-wire Connection Diagram 5 (Page 2-266)	None	
		CM232E	RS232C Connection Diagram 2 (Page 2-263)	ER	
T2N	PU215N PU235N PU245N	Not required (Connects to CPU Unit)	RS232C Connection Diagram 2 (Page 2-263)	None	
			RS422/485 4-wire Connection Diagram 7 (Page 2-268)		
			RS232C Connection Diagram 6 (Page 2-267)	ER	
T3	PU315 PU325	Not required (Connects to CPU Unit)	RS422/485 4-wire Connection Diagram 1 (Page 2-262)	None	
T3H	PU325H PU326H				
<b>V series</b>					
L1	L1PU11H L1PU12H	Not required (Connects to CPU Unit)	RS422/485 4-wire Connection Diagram 1 (Page 2-262)	None	PROSEC T
S2E	PU612E				
S2T	PU662T PU672T				
model2000	S2PU22 S2PU32A S2PU72A/D S2PU82				
model3000	S3PU21 S3PU45A S3PU55A S3PU65A				

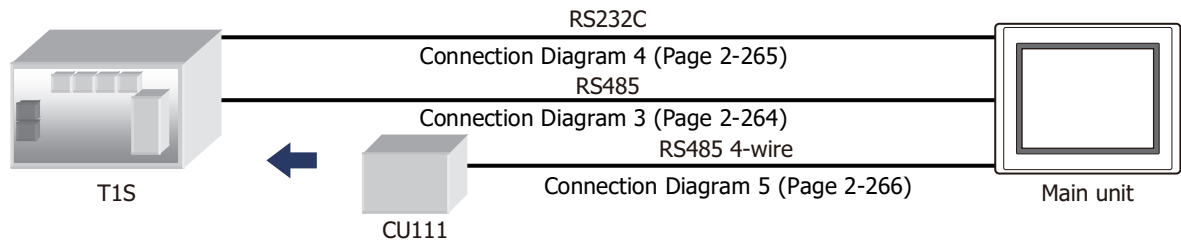
## 17.2 System Configuration

This is the system configuration for the connection of Toshiba PLCs to the main unit.

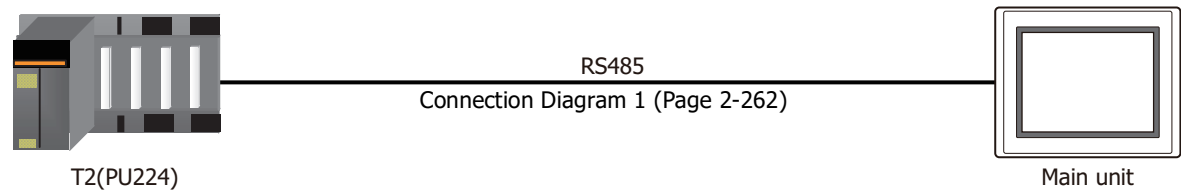
● T1



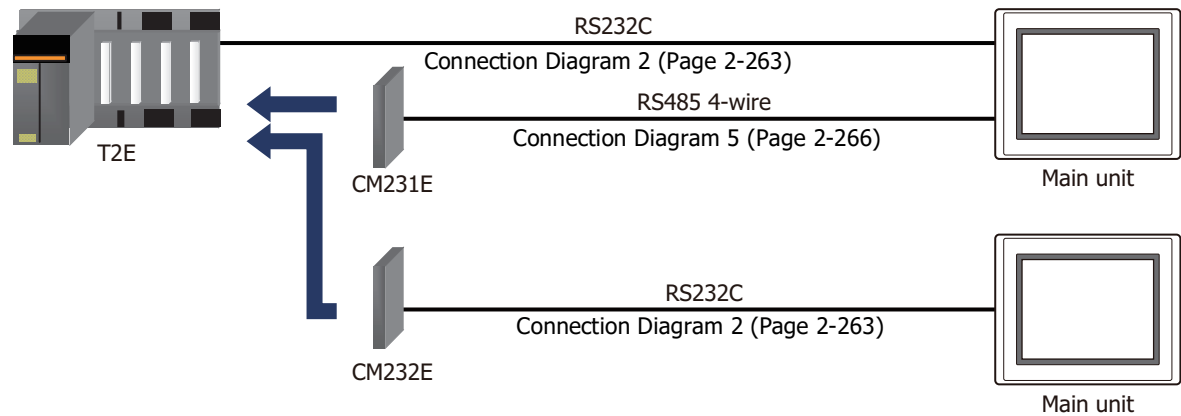
● T1S



● T2 (PU224)

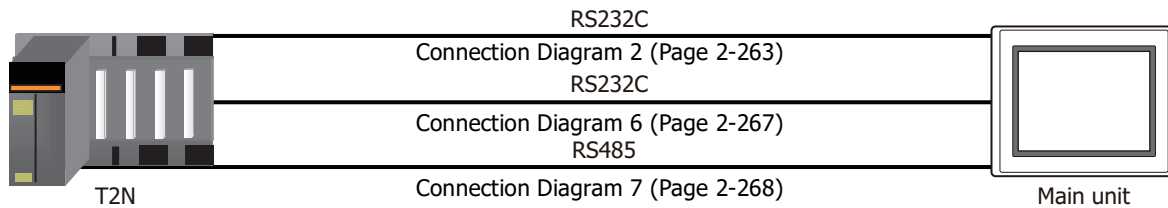


● T2E

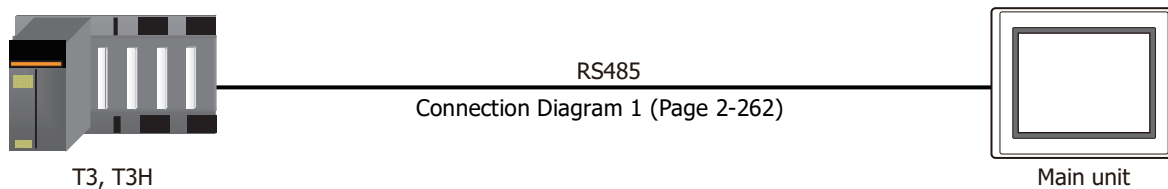




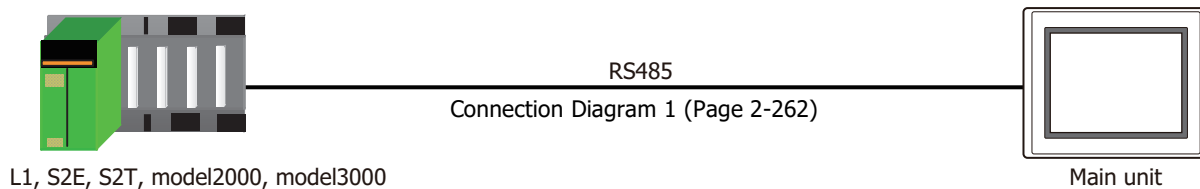
● T2N



● T3, T3H



● V series

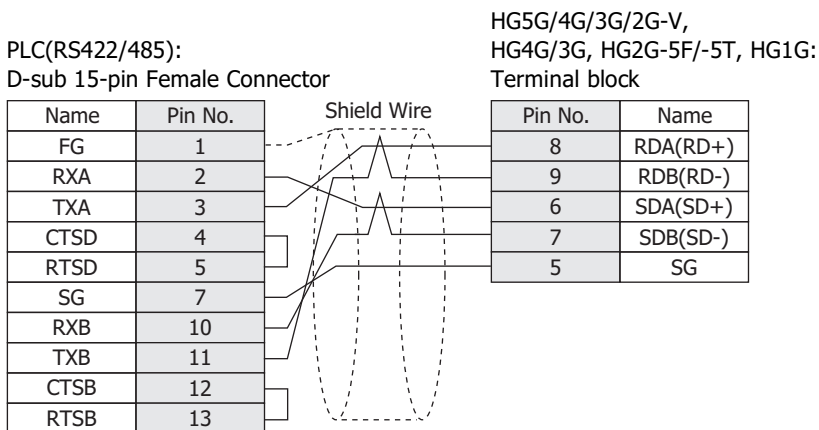


### 17.3 Connection Diagram

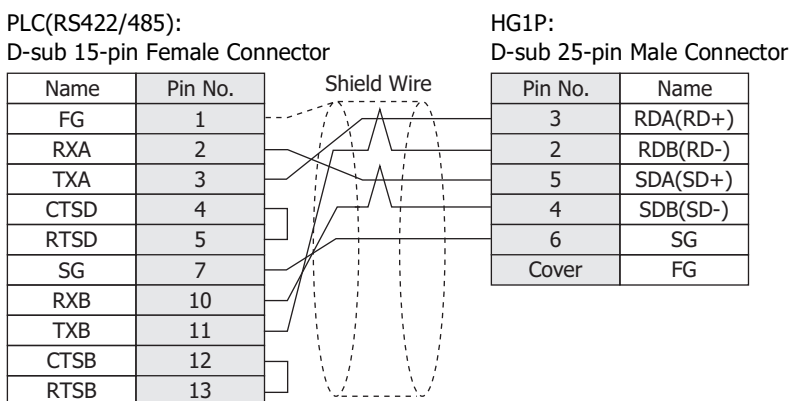
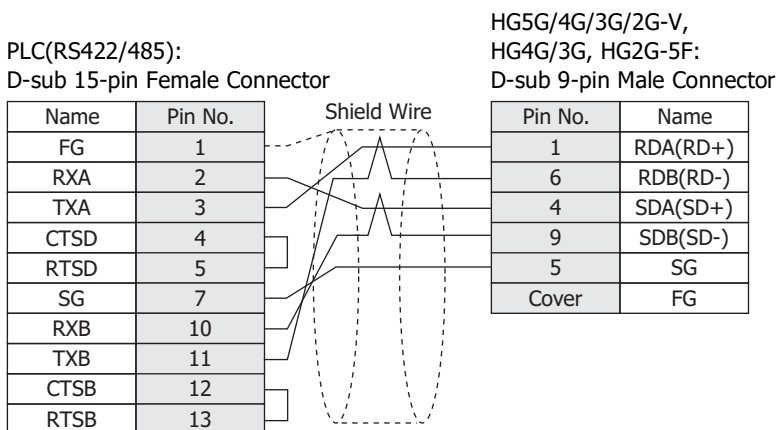


The connector types given in the Connection Diagrams are for the unit and not the cable. For details regarding wiring, refer to Chapter 1 "3 Important Points Regarding Wiring" on page 1-4.

- Connection Diagram 1: T2, T3, T3H, L1, S2E, S2T, model2000, model3000 (RS485, D-sub 15-pin Connector)



Insert a terminating resistor, if necessary. For the setting method, refer to Chapter 1 "3 Important Points Regarding Wiring" on page 1-4.



● Connection Diagram 2: T2E, T2N (RS232C, D-sub 9-pin Connector)

PLC(RS232C):  
D-sub 9-pin Female Connector

Name	Pin No.
N.C.	1
RXD	2
TXD	3
N.C.	4
SG	5
N.C.	6
RTS	7
CTS	8
N.C.	9

HG5G/4G/3G/2G-V,  
HG4G/3G, HG2G-5F/-5T, HG1G:  
Terminal block

Pin No.	Name
1	SD
2	RD
5	SG
4	CS
3	RS

PLC(RS232C):  
D-sub 9-pin Female Connector

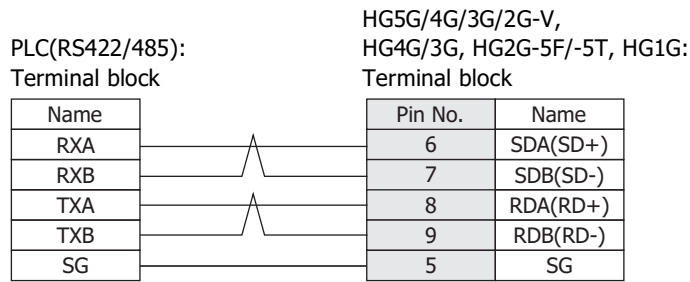
Name	Pin No.
N.C.	1
RXD	2
TXD	3
N.C.	4
SG	5
N.C.	6
RTS	7
CTS	8
N.C.	9

HG5G/4G/3G/2G-V,  
HG4G/3G, HG2G-5F:  
D-sub 9-pin Male Connector

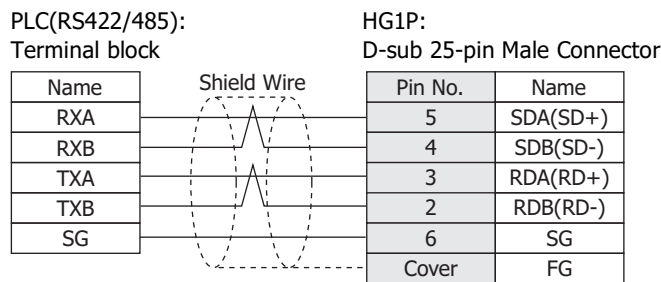
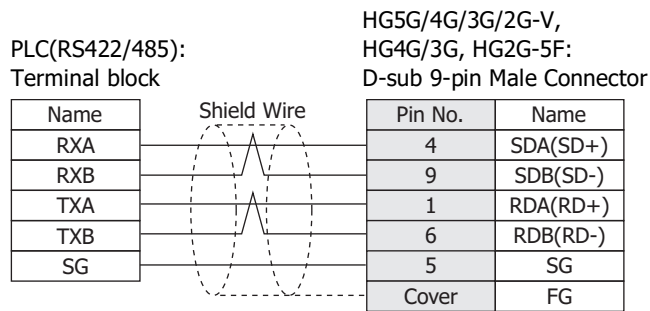
Shield Wire

Pin No.	Name
Cover	FG
3	SD
2	RD
5	SG
8	CS
7	RS

● Connection Diagram 3: T1S (RS485, Terminal Block)



Insert a terminating resistor, if necessary. For the setting method, refer to Chapter 1 "3 Important Points Regarding Wiring" on page 1-4.



● Connection Diagram 4: T1, T1S (RS232C, Mini DIN 8-pin Connector)

PLC(RS232C):  
Mini DIN 8-pin Connector

Name	Pin No.
P5	1
GND	2
P5	3
RTS	4
GND	5
TXD	6
CTS	7
RXD	8

Shield Wire

HG5G/4G/3G/2G-V,  
HG4G/3G, HG2G-5F/-5T, HG1G:  
Terminal block

Pin No.	Name
4	CS
5	SG
2	RD
3	RS
1	SD

PLC(RS232C):  
Mini DIN 8-pin Connector

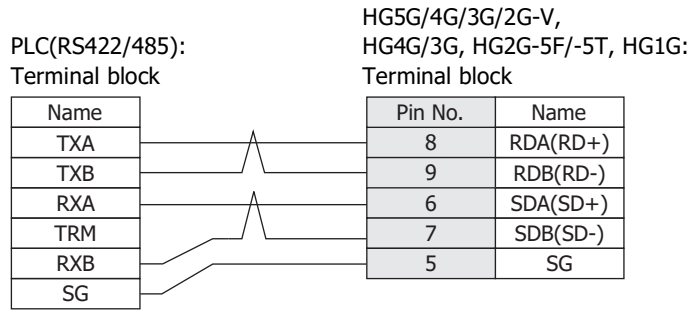
Name	Pin No.
P5	1
GND	2
P5	3
RTS	4
GND	5
TXD	6
CTS	7
RXD	8

Shield Wire

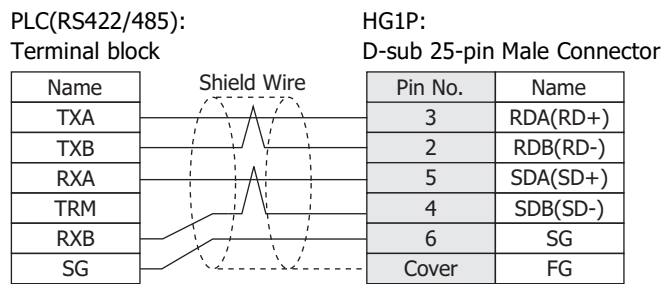
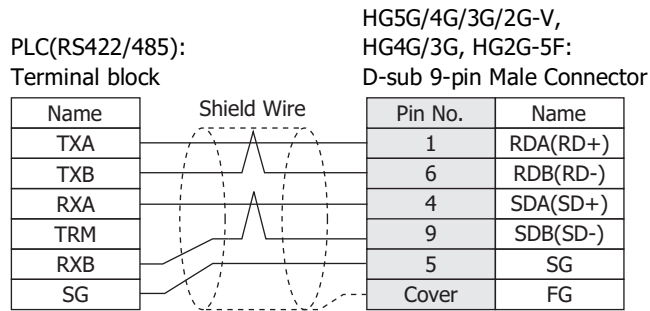
HG5G/4G/3G/2G-V,  
HG4G/3G, HG2G-5F:  
D-sub 9-pin Male Connector

Pin No.	Name
Cover	FG
8	CS
5	SG
2	RD
7	RS
3	SD

● Connection Diagram 5: T1, T1S, T2E (RS485, Terminal Block)



Insert a terminating resistor, if necessary. For the setting method, refer to Chapter 1 “3 Important Points Regarding Wiring” on page 1-4.



● Connection Diagram 6: T2N (RS232C, D-sub 15-pin Connector)

PLC(RS232C):  
D-sub 15-pin Female Connector

Name	Pin No.
N.C.	4
TXD	5
RTS	6
SG	7
SG	8
N.C.	9
RXD	12
CTS	14
SG	15

HG5G/4G/3G/2G-V,  
HG4G/3G, HG2G-5F/-5T, HG1G:  
Terminal block

Pin No.	Name
2	RD
4	CS
5	SG
1	SD
3	RS

PLC(RS232C):  
D-sub 15-pin Female Connector

Name	Pin No.
N.C.	4
TXD	5
RTS	6
SG	7
SG	8
N.C.	9
RXD	12
CTS	14
SG	15

HG5G/4G/3G/2G-V,  
HG4G/3G, HG2G-5F:  
D-sub 9-pin Male Connector

Pin No.	Name
Cover	FG
2	RD
8	CS
5	SG
3	SD
7	RS

Shield Wire

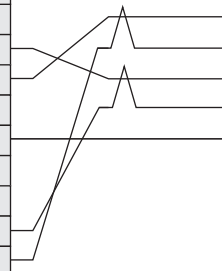
● Connection Diagram 7: T2N (RS485, D-sub 15-pin Connector)

PLC(RS422/485):  
D-sub 15-pin Female Connector

Name	Pin No.
N.C.	1
RXA	2
TXA	3
N.C.	4
SG	7
SG	8
N.C.	9
RXB	10
TXB	11
N.C.	13
SG	15

HG5G/4G/3G/2G-V,  
HG4G/3G, HG2G-5F/-5T, HG1G:  
Terminal block

Pin No.	Name
8	RDA(RD+)
9	RDB(RD-)
6	SDA(SD+)
7	SDB(SD-)
5	SG



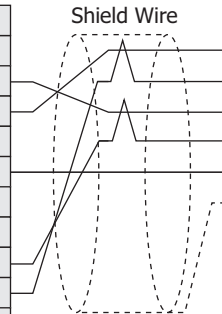
Insert a terminating resistor, if necessary. For the setting method, refer to Chapter 1 "3 Important Points Regarding Wiring" on page 1-4.

PLC(RS422/485):  
D-sub 15-pin Female Connector

Name	Pin No.
N.C.	1
RXA	2
TXA	3
N.C.	4
SG	7
SG	8
N.C.	9
RXB	10
TXB	11
N.C.	13
SG	15

HG5G/4G/3G/2G-V,  
HG4G/3G, HG2G-5F:  
D-sub 9-pin Male Connector

Pin No.	Name
1	RDA(RD+)
6	RDB(RD-)
4	SDA(SD+)
9	SDB(SD-)
5	SG
Cover	FG

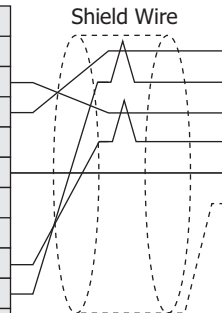


PLC(RS422/485):  
D-sub 15-pin Female Connector

Name	Pin No.
N.C.	1
RXA	2
TXA	3
N.C.	4
SG	7
SG	8
N.C.	9
RXB	10
TXB	11
N.C.	13
SG	15

HG1P:  
D-sub 25-pin Male Connector

Pin No.	Name
3	RDA(RD+)
2	RDB(RD-)
5	SDA(SD+)
4	SDB(SD-)
6	SG
Cover	FG





## 17.4 Environment Settings

Attend to the limitation of the configuration. It depends on the CPU unit and Link unit.

### ● PROSEC T-series, V series

Items	Details
Interface	RS232C, RS485 2-wire or RS485 4-wire
Slave Number	1 to 32 (Decimal)
Baud Rate	115200, 57600, 38400, 19200, 9600, 4800, 2400 or 1200 bps
Data Bits	7 or 8
Stop Bits	1 or 2
Parity	None, Odd or Even
Flow Control	None or ER
PLC Model	Check: PROSEC Series Uncheck: EX100 Series



For details of communication setting, refer to the PROSC T-series and V series user's manual.

## 17.5 Usable Device Addresses

### Bit Device

Device Name	Device Type		Address Number Range	Read /Write	Address Numeral System
	Main unit	PLC			
Input device	X	X	0 to 8191F	R	*1
Output device	Y	Y	0 to 8191F	R/W	*1
Auxiliary device	R	R	0 to 4095F	R/W	*1
Special device	S	S	0 to 511F	R/W	*1
Timer device	TS	T.	0 to 999	R	Decimal
Counter device	CS	C.	0 to 511	R	Decimal
Link device	Z	Z	0 to 999F	R/W	*1
Link relay	L	L	0 to 255F	R/W	*1

### Word Device

Device Name	Device Type		Address Number Range	Read /Write	Address Numeral System
	Main unit	PLC			
Input register	XW	XW	0 to 8191	R	Decimal
Output register	YW	YW	0 to 8191	R/W	Decimal
Auxiliary register	RW	RW	0 to 4095	R/W	Decimal
Special register	SW	SW	0 to 511	R/W	Decimal
Timer register	T	T	0 to 999	R	Decimal
Counter register	C	C	0 to 511	R	Decimal
Data register	D	D	0 to 8191	R/W	Decimal
Link register	W	W	0 to 2047	R/W	Decimal
Link relay register	LW	LW	0 to 255	R/W	Decimal
File register	F	F	0 to 32767	R/W	Decimal

\*1 All digits except the last digit are in decimal and the last digit is in hexadecimal.

## 17.6 The mapping table of devices between PROSEC T-series and V series

When you use V series PLCs, refer to the following table and replace a device name from PROSEC T-series to V series.

V series (S controller)			T-series (Computer Link)	
Variable name		Symbol	Device Name	Device Type
System register	Device	S	Special device	S
	Register	SW	Special register	SW
Data register	Device	D	Auxiliary device	R
	Register	DW	Auxiliary register, Data register	RW, D
I/O variable	Device	IX	Input device	X
		QX	Output device	Y
	Register	IW	Input register	XW
		QW	Output register	YW
User register	Register	Variable name	File register	F



- V series (S controller) has some variables to keep compatibility with PROSEC T-series. Computer Link protocol of V series can communicate those variables with the symbol of PROSEC T-series.
- For details of communication setting, refer to the PROSEC T-series and V series user's manual.

## 18 LSIS

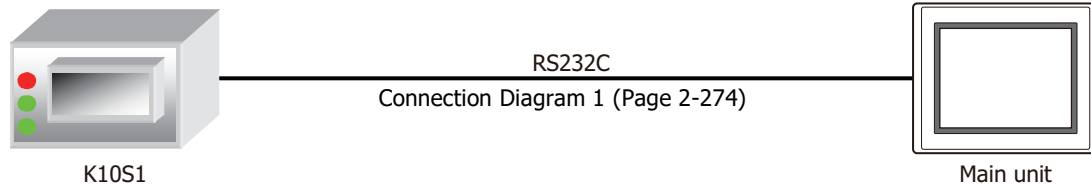
### 18.1 Connection Table

CPU Unit	Link Unit	WindO/I-NV4 Settings		
		Interface	Flow Control	Communication Driver
<b>MASTER-K</b>				
K10S1	Not required	RS232C Connection Diagram 1 (Page 2-274)	None	MASTER-K
K80S K120S K200S	Not required	RS232C Connection Diagram 2 (Page 2-274)		
K80S	G7L-CUEB	RS232C Connection Diagram 3 (Page 2-275)		
	G7L-CUEC	RS422/485 4-wire Connection Diagram 4 (Page 2-276)		
K200S	G6L-CUEB	RS232C Connection Diagram 3 (Page 2-275)		
	G6L-CUEC	RS422/485 4-wire Connection Diagram 4 (Page 2-276)		
K300S	G4L-CUEA	RS232C Connection Diagram 3 (Page 2-275)		
		RS422/485 4-wire Connection Diagram 4 (Page 2-276)		

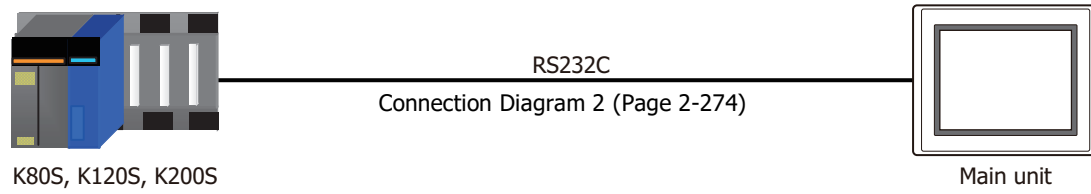
## 18.2 System Configuration

This is the system configuration for the connection of LSIS PLCs to the main unit.

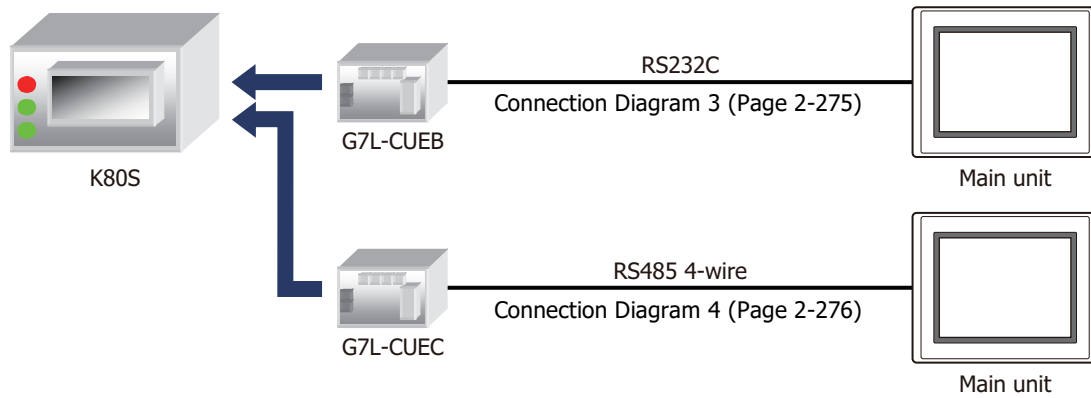
- K10S1 (Loader port)



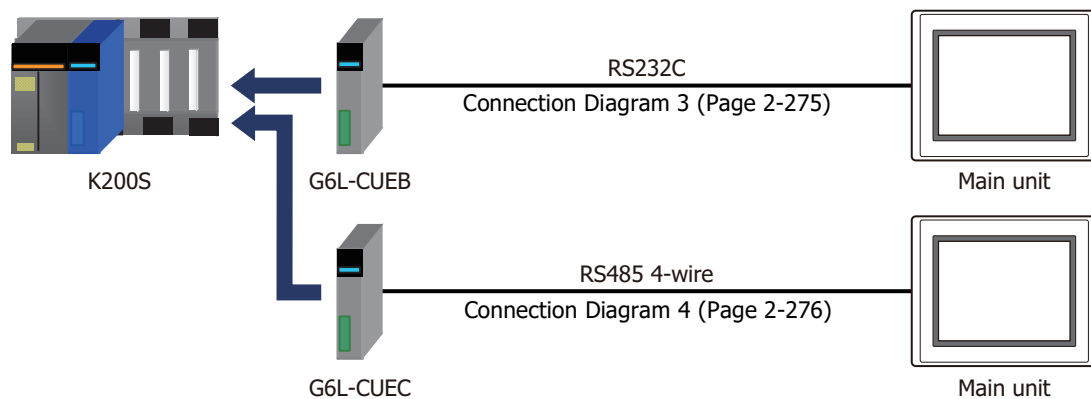
- K80S, K120S, K200S (Loader port)



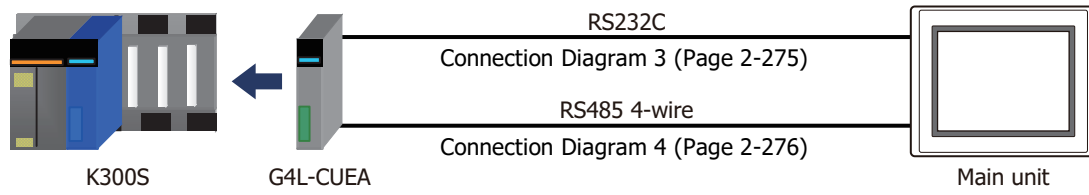
- K80S (Interface Module)



- K200S (Interface Module)



● K300S (Interface Module)



### 18.3 Connection Diagram



The connector types given in the Connection Diagrams are for the unit and not the cable. For details regarding wiring, refer to Chapter 1 "3 Important Points Regarding Wiring" on page 1-4.

● Connection Diagram 1: K10S1 (Loader port)

PLC(RS232C):  
Mini DIN 6-pin Connector

Name	Pin No.
NC	1
RD	2
SD	3
NC	4
SG	5
NC	6

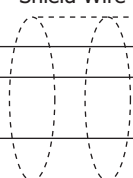
HG5G/4G/3G/2G-V,  
HG4G/3G, HG2G-5F/-5T, HG1G:  
Terminal block

Pin No.	Name
1	SD
2	RD
3	RS
5	SG
4	CS

PLC(RS232C):  
Mini DIN 6-pin Connector

Name	Pin No.
NC	1
RD	2
SD	3
NC	4
SG	5
NC	6

Shield Wire



HG5G/4G/3G/2G-V,  
HG4G/3G, HG2G-5F:  
D-sub 9-pin Male Connector

Pin No.	Name
Cover	FG
3	SD
2	RD
7	RS
5	SG
8	CS

● Connection Diagram 2: K80S/120S/200S (Loader port)

PLC(RS232C):  
D-sub 9-pin Male Connector

Name	Pin No.
5V	1
RXD1	2
TXD1	3
RXD2	4
SG	5
5V	6
TXD2	7
SG	8
SG	9

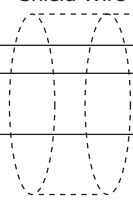
HG5G/4G/3G/2G-V,  
HG4G/3G, HG2G-5F/-5T, HG1G:  
Terminal block

Pin No.	Name
1	SD
5	SG
3	RS
2	RD
4	CS

PLC(RS232C):  
D-sub 9-pin Male Connector

Name	Pin No.
5V	1
RXD1	2
TXD1	3
RXD2	4
SG	5
5V	6
TXD2	7
SG	8
SG	9

Shield Wire



HG5G/4G/3G/2G-V,  
HG4G/3G, HG2G-5F:  
D-sub 9-pin Male Connector

Pin No.	Name
Cover	FG
3	SD
5	SG
7	RS
2	RD
8	CS

● Connection Diagram 3: MASTER-K Series (Interface Module RS232C port)

PLC(RS232C):  
D-sub 9-pin Female Connector

Name	Pin No.
CD	1
RXD	2
TXD	3
DTR	4
SG	5
DSR	6
RTS	7
CTS	8
RI	9

HG5G/4G/3G/2G-V,  
HG4G/3G, HG2G-5F/-5T, HG1G:  
Terminal block

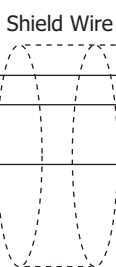
Pin No.	Name
1	SD
2	RD
3	RS
5	SG
4	CS

PLC(RS232C):  
D-sub 9-pin Female Connector

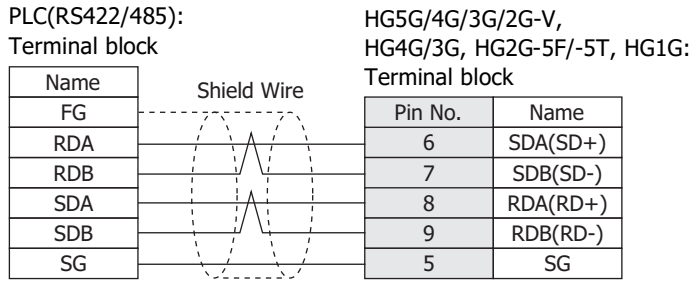
Name	Pin No.
CD	1
RXD	2
TXD	3
DTR	4
SG	5
DSR	6
RTS	7
CTS	8
RI	9

HG5G/4G/3G/2G-V,  
HG4G/3G, HG2G-5F:  
D-sub 9-pin Male Connector

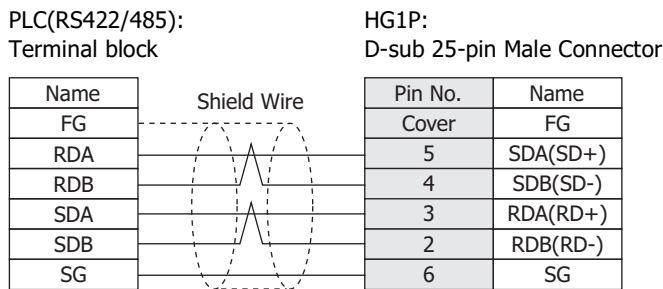
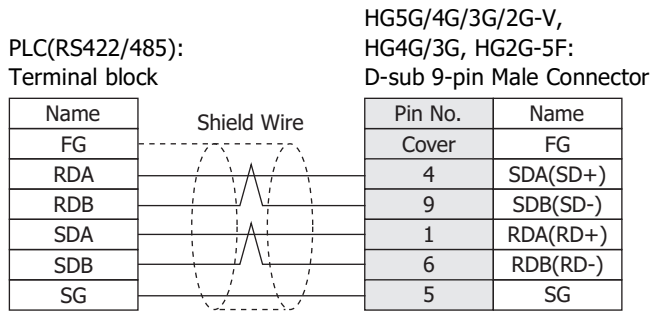
Pin No.	Name
Cover	FG
3	SD
2	RD
7	RS
5	SG
8	CS



● Connection Diagram 4: MASTER-K Series (Interface Module RS485 port)



Insert a terminating resistor, if necessary. For the setting method, refer to Chapter 1 "3 Important Points Regarding Wiring" on page 1-4.





## 18.4 Environment Settings

### ● MASTER-K (Loader port)

Items		Details
Interface		RS232C
Baud Rate	Use the same settings as for the main unit.	38400 bps
Data Bits		8
Stop Bits		1
Parity		None
Flow Control		None

### ● MASTER-K (Interface Module)

Items		Details
Interface		RS232C or RS485 4-wire
Baud Rate	Use the same settings as for the main unit.	38400, 19200, 9600, 4800, 2400 or 1200 bps
Data Bits		7 or 8
Stop Bits		1 or 2
Parity		None, Odd or Even
Flow Control		None or ER
Station No.		00 to 1F (Hexadecimal)



For details, refer to the MASTER-K Series user's manual.

## 18.5 Usable Device Addresses

### Bit Device

Device Name	Device Type		Address Number Range	Read /Write	Address Numeral System
	Main unit	PLC			
I/O Relay (Bit)	P	P	0 to 31F	R/W	Hexadecimal
Auxiliary Relay (Bit)	M	M	0 to 191F	R/W	Hexadecimal
Keep Relay (Bit)	K	K	0 to 31F	R/W	Hexadecimal
Link Relay (Bit)	L	L	0 to 63F	R/W	Hexadecimal
Special Relay (Bit)	F	F	0 to 63F	R	Hexadecimal
Timer (Contact)	TS	T	0 to 255	R/W	Decimal
Counter (Contact)	CS	C	0 to 255	R/W	Decimal

### Word Device

Device Name	Device Type		Address Number Range	Read /Write	Address Numeral System
	Main unit	PLC			
I/O Relay (Word)	WP	P	0 to 31	R/W	Decimal
Auxiliary Relay (Word)	WM	M	0 to 191	R/W	Decimal
Keep Relay (Word)	WK	K	0 to 31	R/W	Decimal
Link Relay (Word)	WL	L	0 to 63	R/W	Decimal
Special Relay (Word)	WF	F	0 to 63	R	Decimal
Timer (Current Value)	T	T	0 to 255	R/W	Decimal
Counter (Current Value)	C	C	0 to 255	R/W	Decimal
Data Register	D	D	0 to 4999	R/W	Decimal

## 19 Vigor Electric

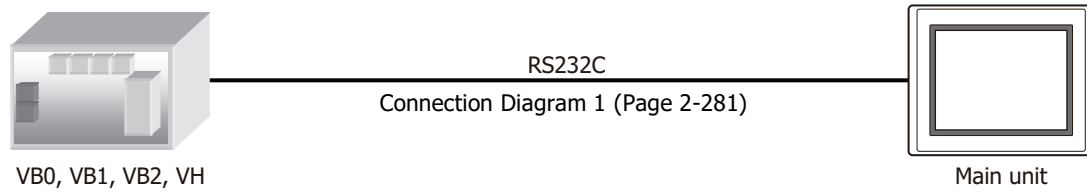
### 19.1 Connection Table

CPU Unit	Link Unit	WindO/I-NV4 Settings		
		Interface	Flow Control	Communication Driver
<b>VB</b>				
V0 VB1 VB2	Not required	RS232C Connection Diagram 1 (Page 2-281)	None	VB/VH
	VB-485A	RS422/485 2-wire Connection Diagram 2 (Page 2-282)		
	VB-CADP	RS232C Connection Diagram 3 (Page 2-283)		
		RS422/485 2-wire Connection Diagram 4 (Page 2-284)		
	VB-232	RS232C Connection Diagram 5 (Page 2-285)		
	VB-485	RS422/485 2-wire Connection Diagram 6 (Page 2-286)		
<b>VH</b>				
VH	Not required	RS232C Connection Diagram 1 (Page 2-281)	None	VB/VH
	VB-485A	RS422/485 2-wire Connection Diagram 2 (Page 2-282)		
	VB-CADP	RS232C Connection Diagram 3 (Page 2-283)		
		RS422/485 2-wire Connection Diagram 4 (Page 2-284)		
	VB-232	RS232C Connection Diagram 5 (Page 2-285)		
	VB-485	RS422/485 2-wire Connection Diagram 6 (Page 2-286)		

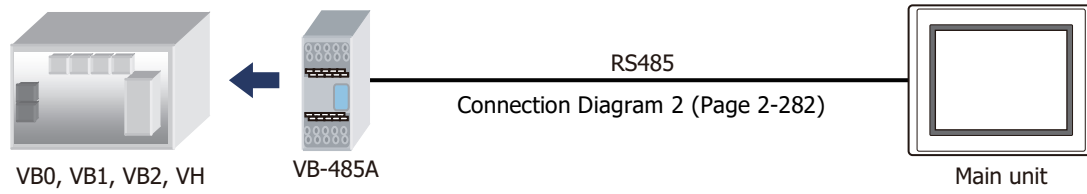
## 19.2 System Configuration

This is the system configuration for the connection of Vigor Electric PLCs to the main unit.

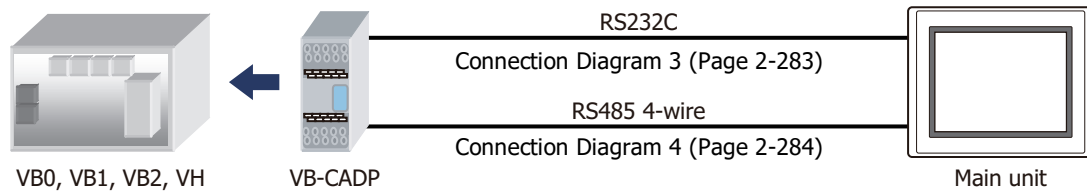
- Programming Tool Communication Port



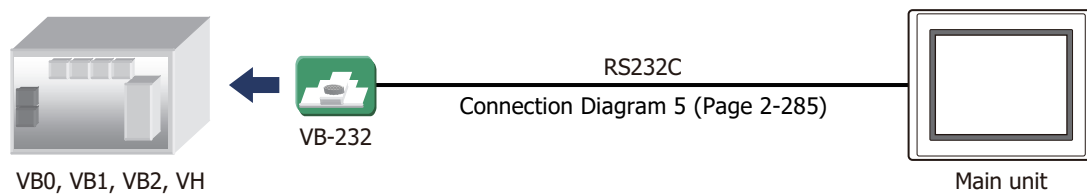
- VB-485A



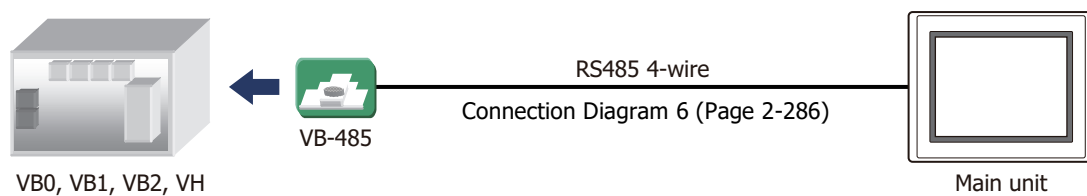
- VB-CADP



- VB-232



- VB-485

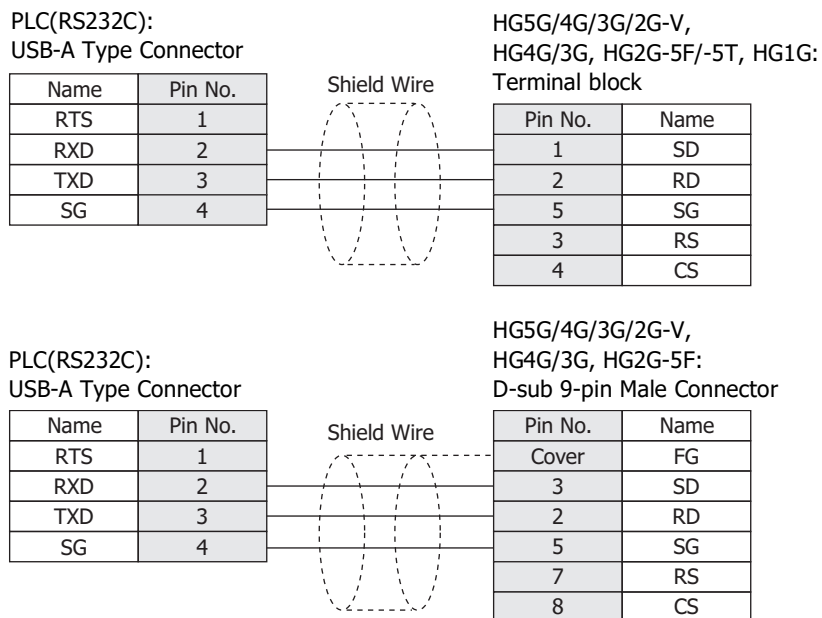


## 19.3 Connection Diagram

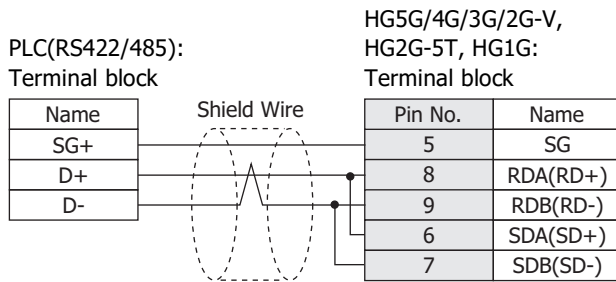


The connector types given in the Connection Diagrams are for the unit and not the cable. For details regarding wiring, refer to Chapter 1 "3 Important Points Regarding Wiring" on page 1-4.

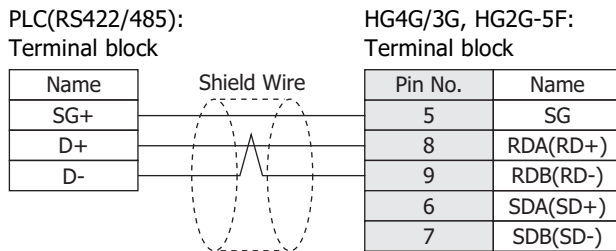
### ● Connection Diagram 1: Programming Tool Communication Port



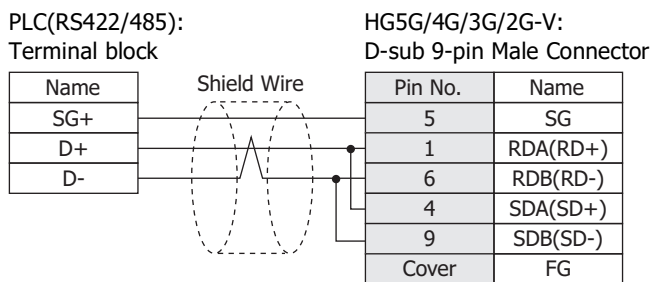
● Connection Diagram 2: VB-485A



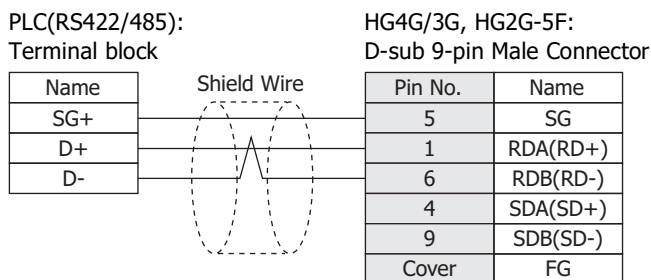
Insert a terminating resistor, if necessary. For the setting method, refer to Chapter 1 "3 Important Points Regarding Wiring" on page 1-4.



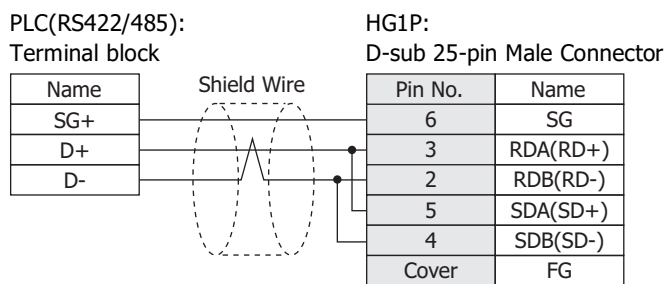
Insert a terminating resistor, if necessary. For the setting method, refer to Chapter 1 "3 Important Points Regarding Wiring" on page 1-4.



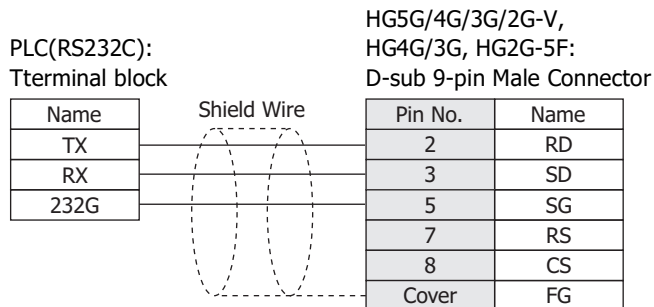
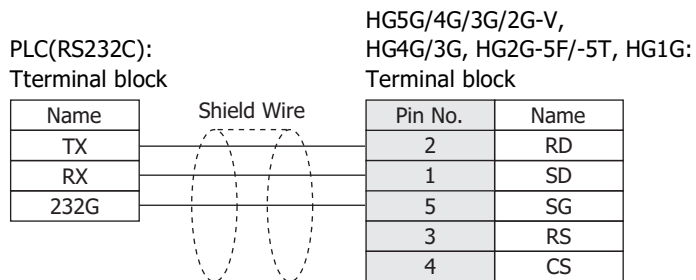
When connecting COM1 on the HG5G/4G/3G/2G-V to the external device, do not insert terminating resistor to the external device.



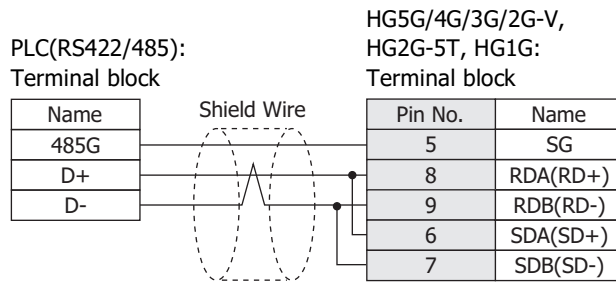
When connecting COM1 on the HG4G/3G, HG2G-5F to the external device, do not insert terminating resistor to the external device.



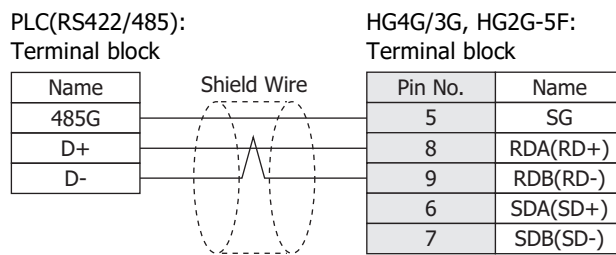
● Connection Diagram 3: VB-CADP (RS232C)



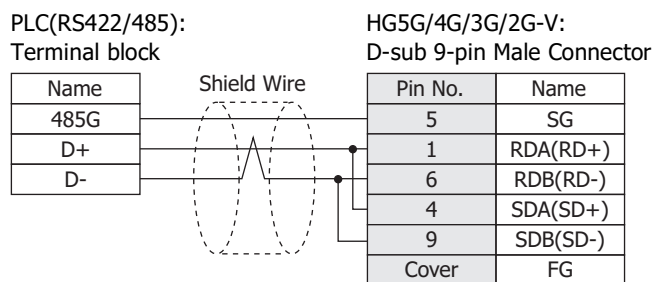
● Connection Diagram 4: VB-CADP (RS485)



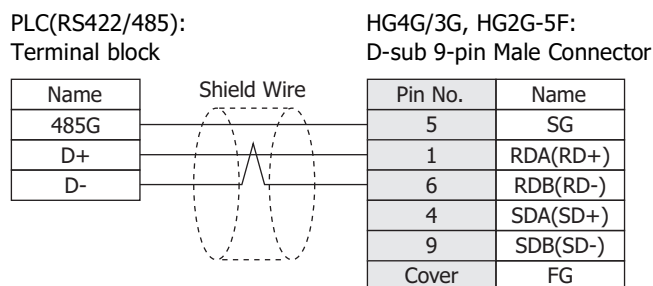
Insert a terminating resistor, if necessary. For the setting method, refer to Chapter 1 "3 Important Points Regarding Wiring" on page 1-4.



Insert a terminating resistor, if necessary. For the setting method, refer to Chapter 1 "3 Important Points Regarding Wiring" on page 1-4.

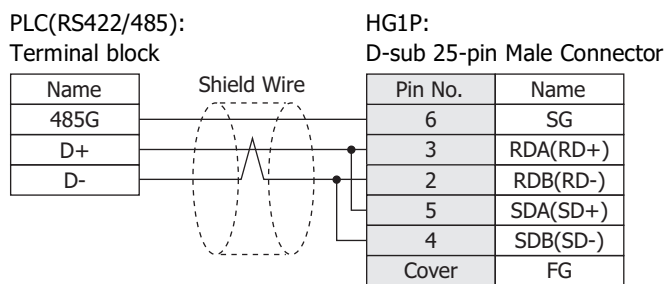


When connecting COM1 on the HG5G/4G/3G/2G-V to the external device, do not insert terminating resistor to the external device.

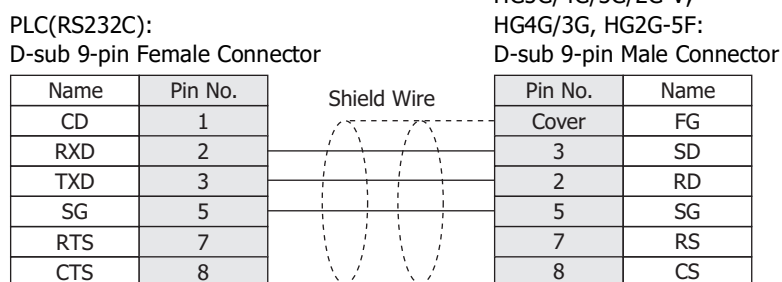
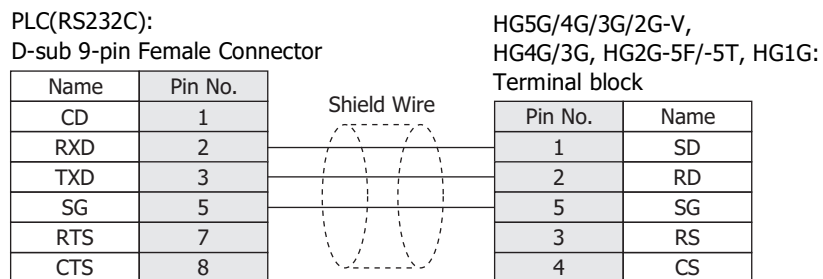


When connecting COM1 on the HG4G/3G, HG2G-5F to the external device, do not insert terminating resistor to the external device.

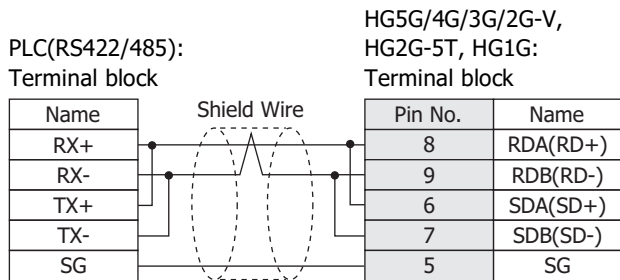




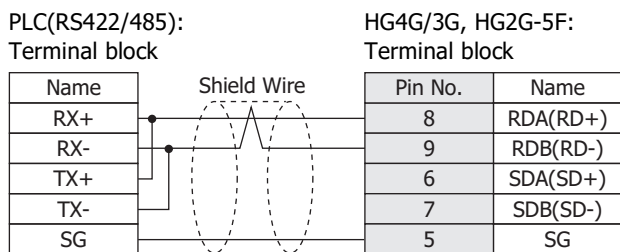
● Connection Diagram 5: VB-232



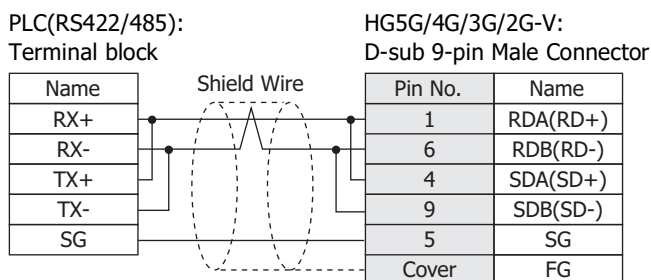
● Connection Diagram 6: VB-485



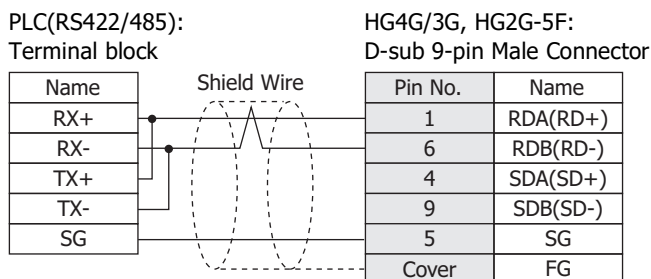
Insert a terminating resistor, if necessary. For the setting method, refer to Chapter 1 "3 Important Points Regarding Wiring" on page 1-4.



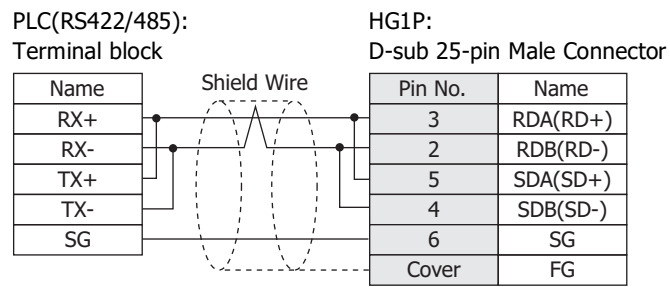
Insert a terminating resistor, if necessary. For the setting method, refer to Chapter 1 "3 Important Points Regarding Wiring" on page 1-4.



When connecting COM1 on the HG5G/4G/3G/2G-V to the external device, do not insert terminating resistor to the external device.



When connecting COM1 on the HG4G/3G, HG2G-5F to the external device, do not insert terminating resistor to the external device.



## 19.4 Environment Settings

### ● Communication Port for Programming Tool

Items		Details
Interface		RS232C
Baud Rate	Use the same settings as for the main unit.	19200 bps
Data Bits		7
Stop Bits		1
Parity		Even
Flow Control		None
Station Number		0

### ● VB-485A, VB-232 or VB-485

Items		Details
Interface		RS232C or RS485 4-wire
Baud Rate	Use the same settings as for the main unit.	38400, 19200, 9600, 4800, 2400 or 1200 bps
Data Bits		7
Stop Bits		1
Parity		Even
Flow Control		None
Station Number		0 to 255 (Decimal)

### ● VB-CADP

Items		Details	
Port		CP2	CP3
Interface		RS232C or RS485	RS485
Baud Rate	Use the same settings as for the main unit.	38400, 19200, 9600, 4800, 2400 or 1200 bps	19200 bps
Data Bits		7	7
Stop Bits		1	1
Parity		Even	Even
Flow Control		None	None
Station Number		0 to 255 (Decimal)	0 to 99 (Decimal)



For details, refer to the VB/VH Series user's manual.

## 19.5 Usable Device Addresses

### Bit Device

Device Name	Device Type		Address Number Range	Read /Write	Address Numeral System
	Main unit	PLC			
Input Relay (Bit)	X	X	0 to 777	R	Octal
Output Relay (Bit)	Y	Y	0 to 777	R/W	Octal
Auxiliary Relay (Bit)	M	M	0 to 5119	R/W	Decimal
Step Relay	S	S	0 to 999	R/W	Decimal
Special Relay	SM	M	9000 to 9255	R/W	Decimal
Timer Contact	T	T	0 to 255	R	Decimal
Timer Coil	TC	T	0 to 255	R	Decimal
Counter Contact	C	C	0 to 255	R	Decimal
Counter Coil	CC	C	0 to 255	R	Decimal

### Word Device

Device Name	Device Type		Address Number Range	Read /Write	Address Numeral System
	Main unit	PLC			
Input Relay (Word)	WX	X	0 to 769	R	Octal
Output Relay (Word)	WY	Y	0 to 760	R/W	Octal
Auxiliary Relay (Word)	WM	M	0 to 5104	R/W	Decimal
Step Relay (Word)	WS	S	0 to 992	R/W	Decimal
Special Relay (Word)	WSM	M	9000 to 9240	R/W	Decimal
Data Register	D	D	0 to 8191	R/W	Decimal
Special Register	SD	D	9000 to 9255	R/W	Decimal
Timer (Current Value)	TCV	T	0 to 255	R/W	Decimal
16 Bit Counter (Current Value)	CCV	C	0 to 199	R/W	Decimal
32 Bit Counter (Current Value)	DCCV	C	2000 to 2551	R/W	Decimal



Device Address 992 in Step Relay (Word) only contains 8bits because the maximum device address of Step Relay (Bit) is 999.

## 20 Emerson Electric

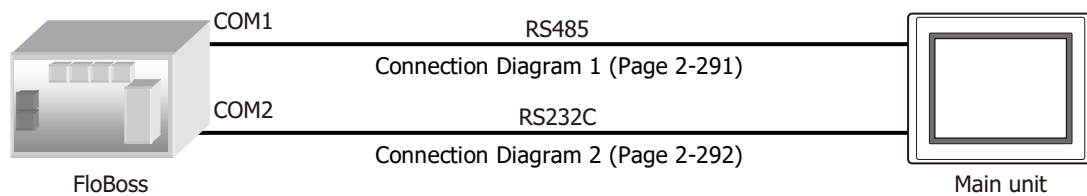
### 20.1 Connection Table

CPU Unit	Link Unit	WindO/I-NV4 Settings		
		Interface	Flow Control	Communication Driver
<b>FloBoss</b>				
FloBoss107 ROC800* <sup>1</sup>	Not required	RS422/485 2-wire Connection Diagram 1 (Page 2-291)	None	ROC Protocol
		RS232C Connection Diagram 2 (Page 2-292)		

### 20.2 System Configuration

This is the system configuration for the connection of Emerson Electric devices to the main unit.

- FloBoss



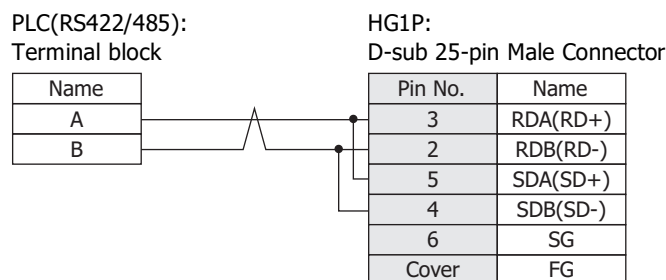
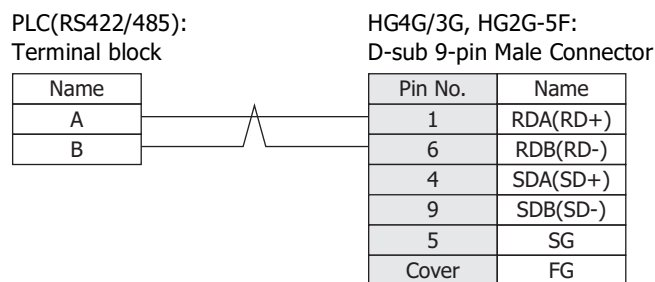
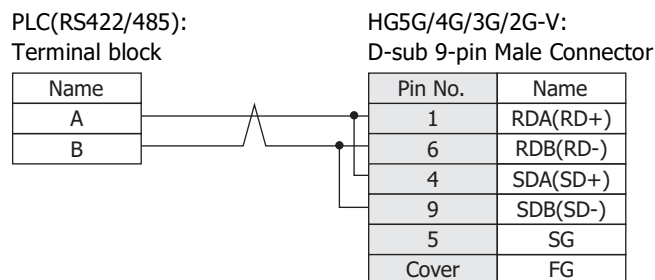
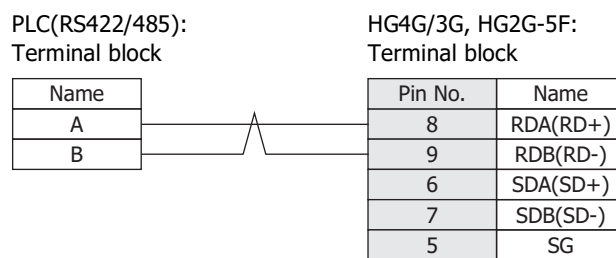
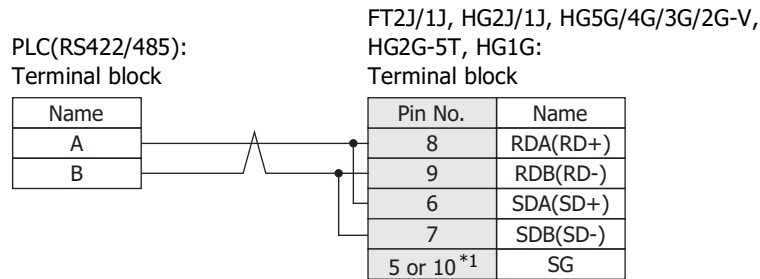
\*1 When enabling the check box to **Input TLP** in the Tag Editor on the WindO/I-NV4, allows expansion of these TLPs to support the ROC Plus Protocol.

## 20.3 Connection Diagram



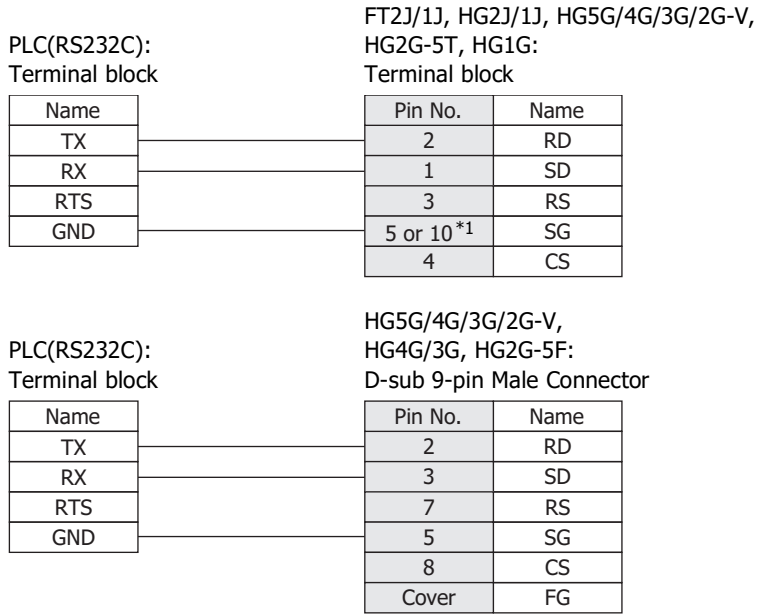
The connector types given in the Connection Diagrams are for the unit and not the cable. For details regarding wiring, refer to Chapter 1 "3 Important Points Regarding Wiring" on page 1-4.

### ● Connection Diagram 1: FloBoss (COM1 RS485)



\*1 FT1J, HG1J only

● Connection Diagram 2: FloBoss (COM2 RS232C)



## 20.4 Environment Settings

● Connecting with FloBoss COM1 (RS485) or COM2 (RS232C)

Set the following items on the Project Settings dialog box in WindO/I-NV4.

Tab Name	Items	Details
Communication Interface	Interface	RS232C or RS485
	Baud Rate	115200, 57600, 38400, 19200, 9600, 4800, 2400 or 1200 bps
	Data Bits	7 or 8
	Stop Bits	1 or 2
	Parity	None, Odd or Even
	Flow Control	None
Communication Driver	HMI Group No.	Set the Group No. of the main unit.
	HMI Unit No.	Set the Unit No. of the main unit.
Communication Driver Network	Controller Group No.	Set the Group No. of FloBoss.
	Controller Unit No.	Set the Unit No. of FloBoss.

\*1 FT1J, HG1J only



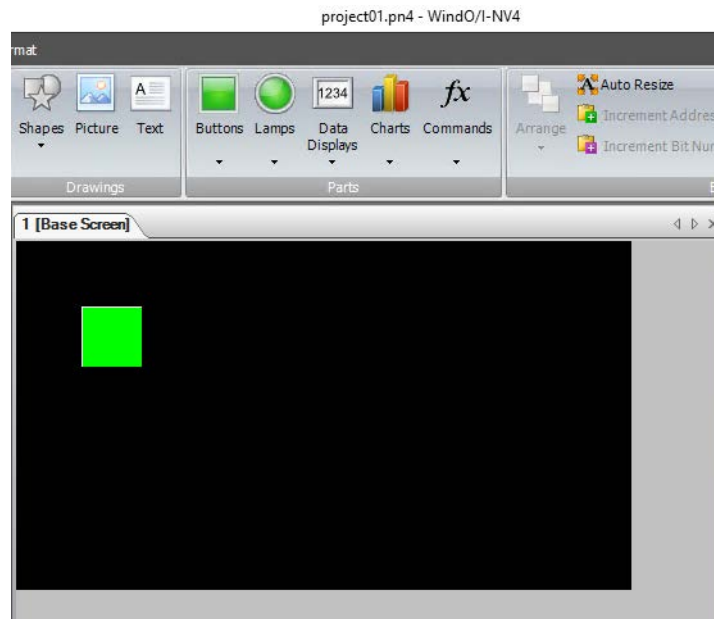
## 20.5 Usable Device Addresses

When the Emerson ROC Protocol is selected as a communication driver, check the usable external device addresses in the Tag Editor.

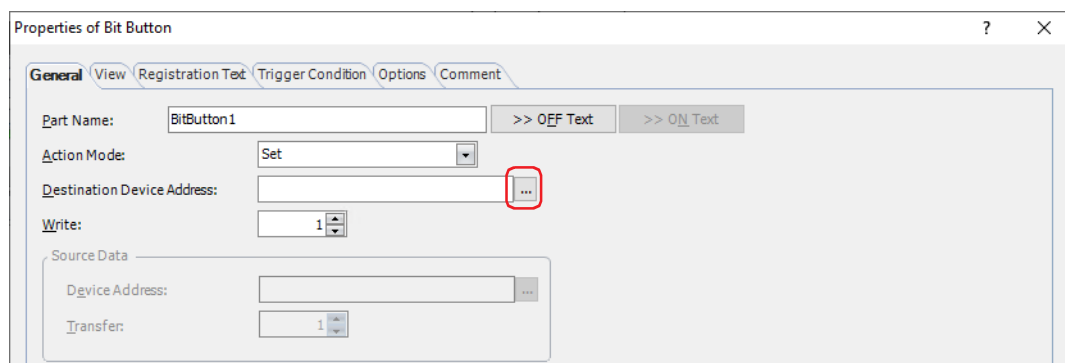
To display the Tag Editor, click  to the right of the text box for setting the device address.

### Example: Set an external device address to the Bit Button.

- 1 Place the Bit Button on the screen, and then double click it.  
The Properties dialog box is displayed.

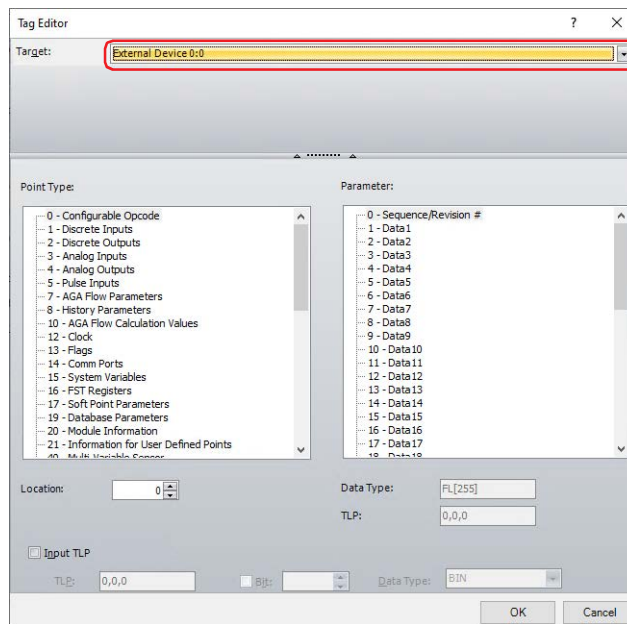


- 2 Click  to the right of the **Destination Device Address**.  
Tag Editor is displayed.



**3 Under Target, select the External Device.**

The controls to set a device address for Emerson ROC are displayed.

**4 Two methods to select for Emerson ROC device address:**

- ☞ "How to select the Point Type, Parameter and Location" on page 2-295
- ☞ "How to enter the TLP manually" on page 2-296

## ● How to select the **Point Type**, **Parameter** and **Location**

- 1 Select the **Point type**, **Parameter**, **Location**, and then click **OK**.

The selected device address is displayed in the **Destination Device Address**.



- The corresponding setting item names are as follows.

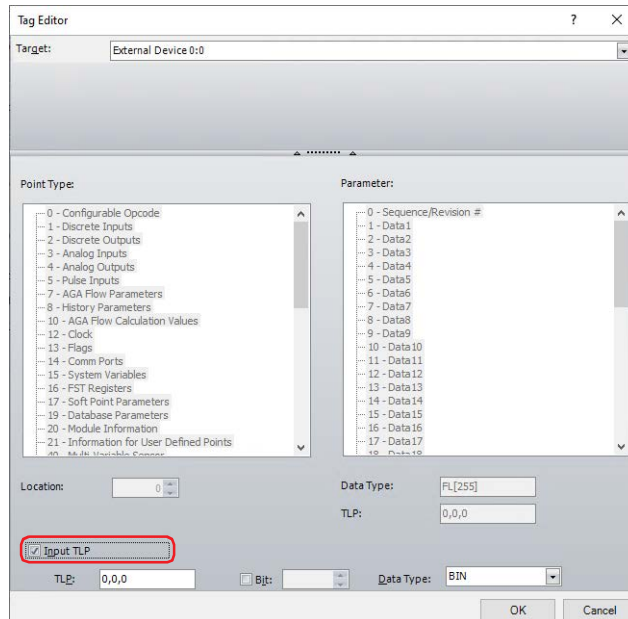
Emerson ROC	WindO/I-NV4	Details
Point Type	Point Type	Select Point Type which you selected in Emerson ROC software from <b>Point Type</b> .
Logical Number	Location	Find number of Logical Number (which is shown in middle of TLP) which you selected in Emerson ROC software and input it in <b>Location</b> .
Parameter	Paramete	Select Parameter which you selected in Emerson ROC software form <b>Parameter</b> .

- Device for Emerson ROC is based on ROC Protocol Specifications Manual (Form Number A4199, Part Number D301053X012, November 2011).

## ● How to enter the TLP manually

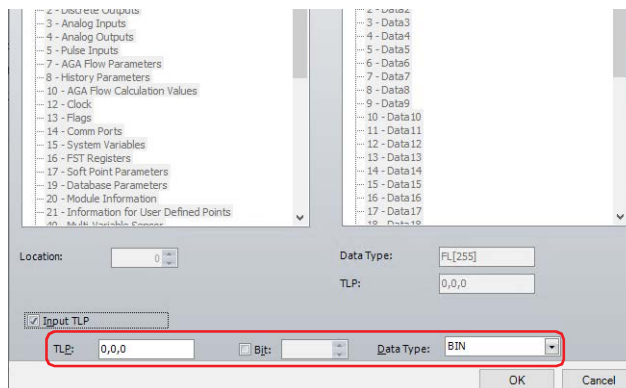
### 1 Select the **Input TLP**.

The **Point Type**, **Parameter**, and **Location** are disabled and the **TLP**, **Bit**, and **Data Type** are enabled.



### 2 Configure **TLP**, **Bit**, and **Data Type**.

In **TLP**, enter the values in the order of **Point Type**, **Location** and **Parameter**, and separate each one with a comma. When Bit Device must be configured, select the **Bit** and enter a value.



### 3 Click **OK**.

The configured Device Address is displayed in the **Destination Device Address**.



The order of TLP in the Emerson ROC device address differs in the following ways:

- Using Tag Editor  
Example: 22,5,3 in TLP box (Point Type, Location, Parameter)
- Emerson ROC device address composed of the entered TLP, Bit, and Data Type information.  
Example: 0:22.3[5]:UINT8 in **Destination Device**. The TLP order is 22,3,5 (Point Type, Parameter, Location). 0 is the External Device ID and UNIT8 is the Data Type.

## 21 Hitachi Industrial Equipment Systems

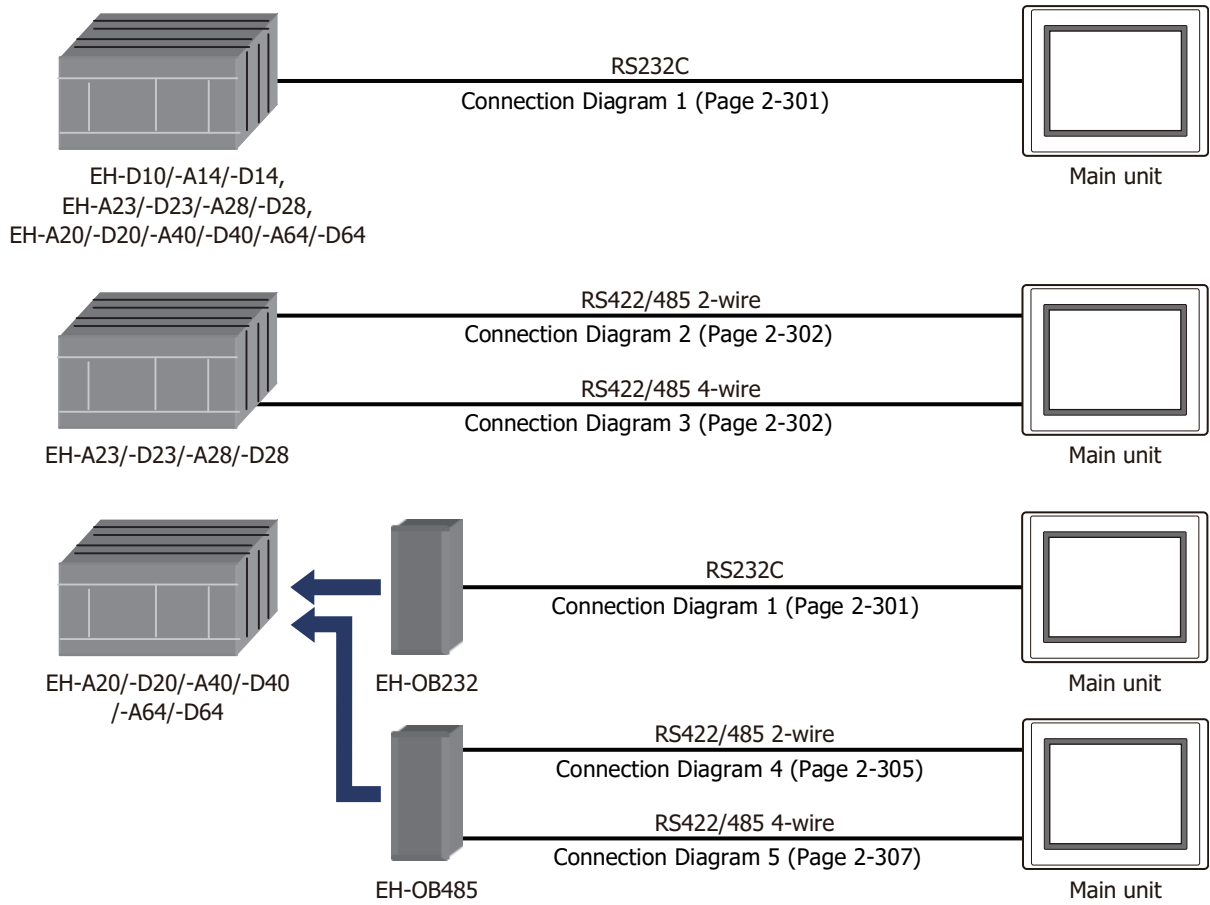
### 21.1 Connection Table

CPU Unit	Link Unit	WindO/I-NV4 Settings		
		Interface	Flow Control	Communication Driver
<b>EH-150</b>				
EH-CPU448 EH-CPU516 EH-CPU548 EH-CPU308A EH-CPU316A EH-CPU448A	EH-ETH2	Ethernet	-	EH (Ethernet)
<b>EHV</b>				
EHV-CPU16 EHV-CPU32 EHV-CPU64 EHV-CPU128	Not required (Connects to Ethernet port) EH-ETH2	Ethernet	-	EH (Ethernet)
<b>Web Controller</b>				
EH-WD10DR EH-WA23DR EH-WD23DR	Not required (Connects to Ethernet port)	Ethernet	-	EH (Ethernet)
<b>MICRO-EH</b>				
EH-D10 EH-A14 EH-D14	Not required (Connects to Serial port)	RS232C Connection Diagram 1 (Page 2-301)	None	EH
EH-A23 EH-D23 EH-A28 EH-D28	Not required (Connects to Serial port 1)	RS232C Connection Diagram 1 (Page 2-301)		
	Not required (Connects to Serial port 2)	RS422/485 2-wire Connection Diagram 2 (Page 2-302) RS422/485 4-wire Connection Diagram 3 (Page 2-304)		
EH-A20 EH-D20 EH-A40 EH-D40 EH-A64 EH-D64	Not required (Connects to Serial port 1)	RS232C Connection Diagram 1 (Page 2-301)		
	EH-OB232	RS232C Connection Diagram 1 (Page 2-301)		
	EH-OB485	RS422/485 2-wire Connection Diagram 4 (Page 2-305) RS422/485 4-wire Connection Diagram 5 (Page 2-307)		
EH-A20 EH-D20 EH-A40 EH-D40 EH-A64 EH-D64	EH-OBETH	Ethernet	-	EH (Ethernet)

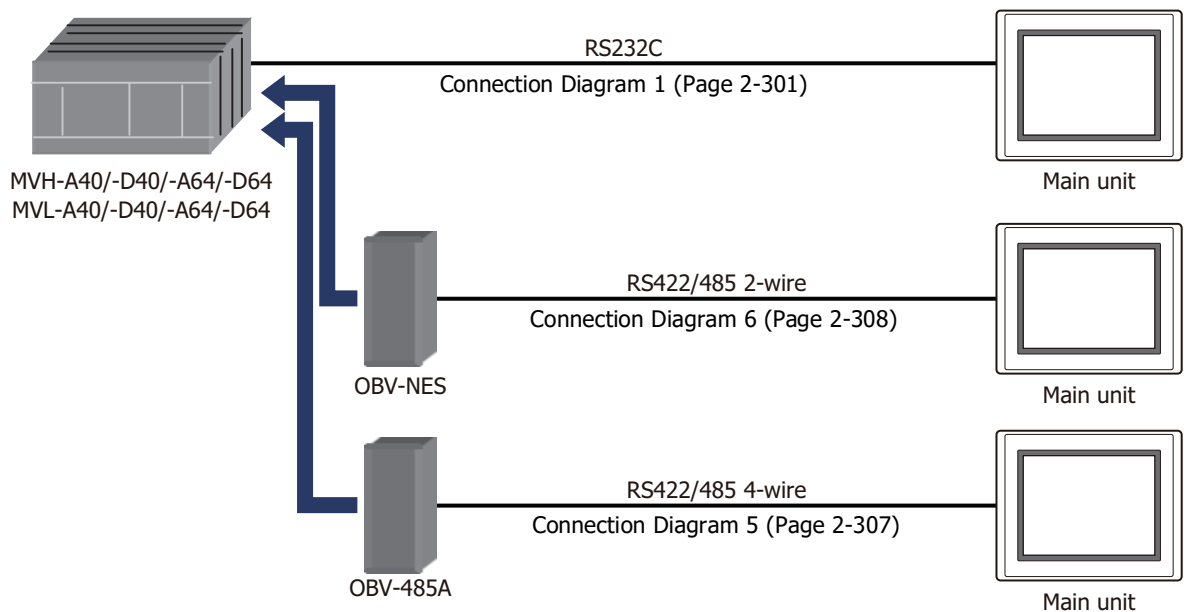
CPU Unit	Link Unit	WindO/I-NV4 Settings		
		Interface	Flow Control	Communication Driver
<b>MICRO-EHV</b>				
MVH-A40 MVH-D40 MVH-A64 MVH-D64 MVL-A40 MVL-D40 MVL-A64 MVL-D64	Not required (Connects to Serial port)	RS232C Connection Diagram 1 (Page 2-301)	None	EH
	OBV-NES	RS422/485 2-wire Connection Diagram 6 (Page 2-308)		
	OBV-485A	RS422/485 4-wire Connection Diagram 5 (Page 2-307)		
MVH-A40 MVH-D40 MVH-A64 MVH-D64	Not required (Connects to Ethernet port)	Ethernet	-	EH (Ethernet)

## 21.2 System Configuration

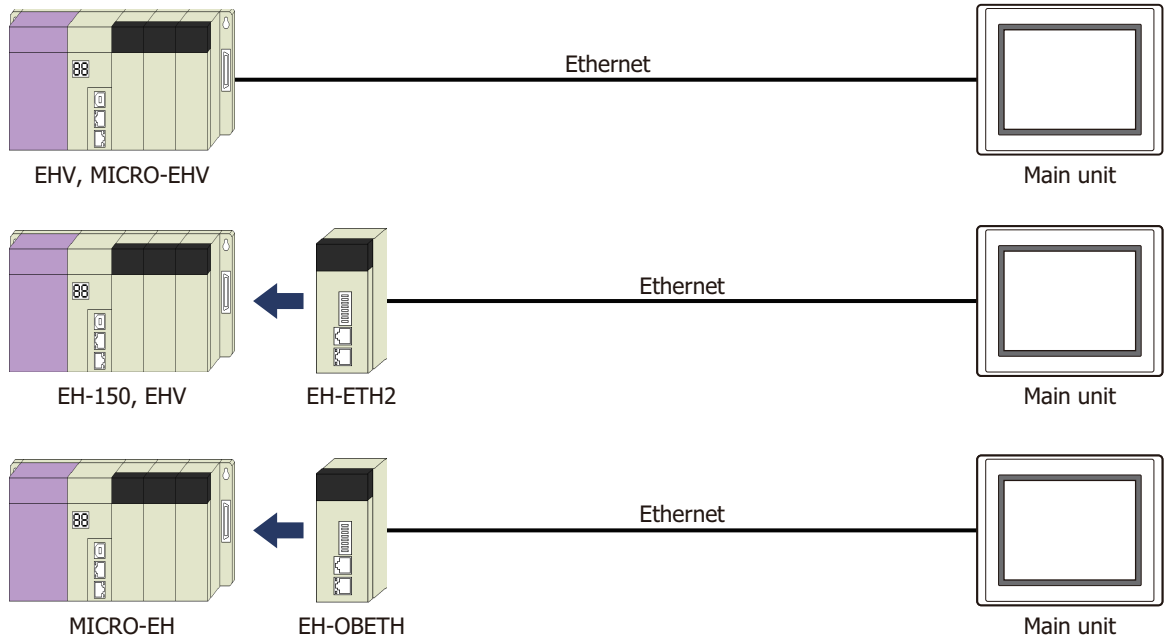
### ● MICRO-EH Series (Serial port)



### ● MICRO-EHV Series (Serial port)



● EH-150, EHV Series (Ethernet)



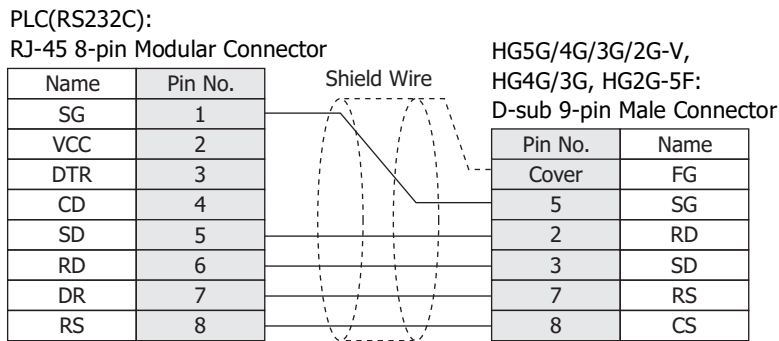
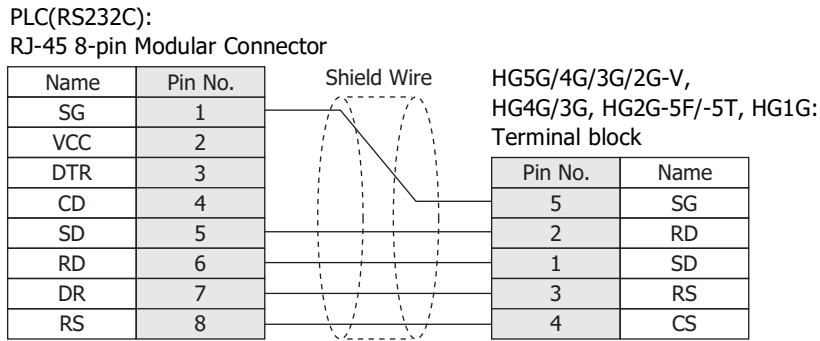


### 21.3 Connection Diagram

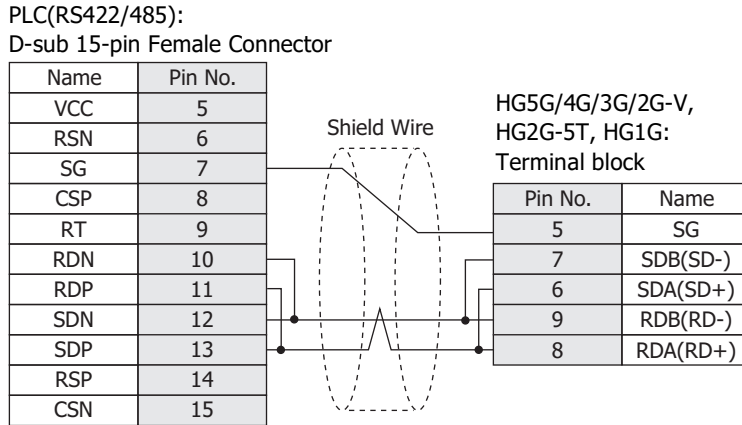


The connector types given in the Connection Diagrams are for the unit and not the cable. For details regarding wiring, refer to Chapter 1 "3 Important Points Regarding Wiring" on page 1-4.

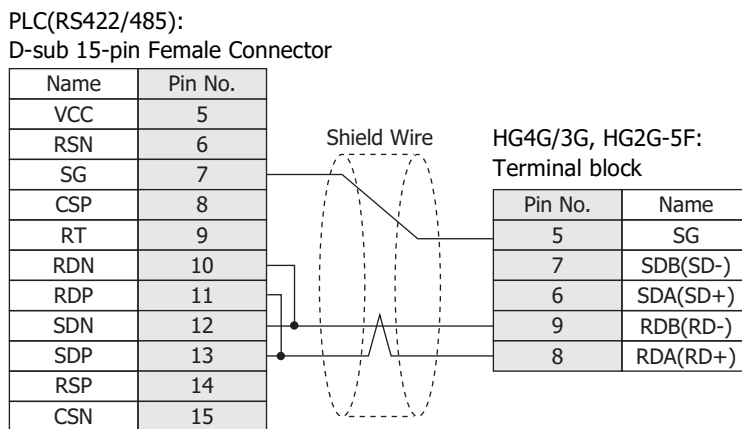
● Connection Diagram 1: MICRO-EH and MICRO-EHV Series (RS232C)



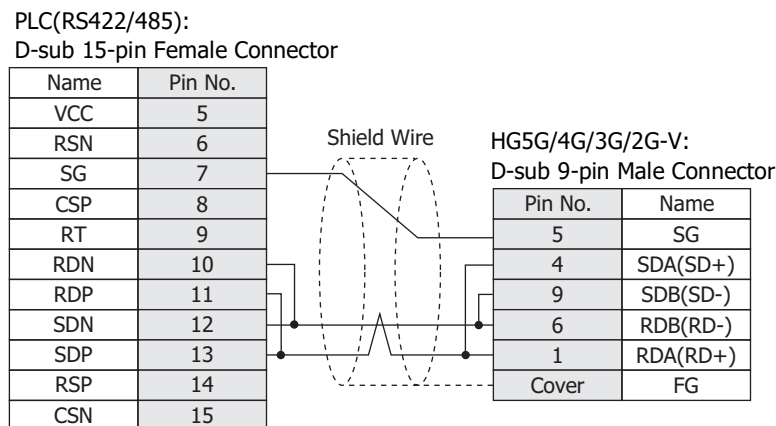
● Connection Diagram 2: MICRO-EH Series Serial port 2 (RS485)



Insert a terminating resistor, if necessary. For the setting method, refer to Chapter 1 "3 Important Points Regarding Wiring" on page 1-4.



Insert a terminating resistor, if necessary. For the setting method, refer to Chapter 1 "3 Important Points Regarding Wiring" on page 1-4.



When connecting COM1 on the HG5G/4G/3G/2G-V to the external device, do not insert terminating resistor to the external device.

PLC(RS422/485):  
D-sub 15-pin Female Connector

Name	Pin No.
VCC	5
RSN	6
SG	7
CSP	8
RT	9
RDN	10
RDP	11
SDN	12
SDP	13
RSP	14
CSN	15

Shield Wire

HG4G/3G, HG2G-5F:  
D-sub 9-pin Male Connector

Pin No.	Name
5	SG
4	SDA(SD+)
9	SDB(SD-)
6	RDB(RD-)
1	RDA(RD+)
Cover	FG



When connecting COM1 on the HG4G/3G, HG2G-5F to the external device, do not insert terminating resistor to the external device.

PLC(RS422/485):  
D-sub 15-pin Female Connector

Name	Pin No.
VCC	5
RSN	6
SG	7
CSP	8
RT	9
RDN	10
RDP	11
SDN	12
SDP	13
RSP	14
CSN	15

Shield Wire

HG1P:  
D-sub 25-pin Male Connector

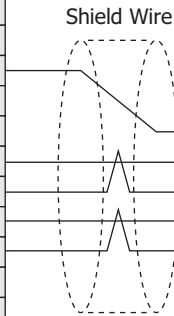
Pin No.	Name
6	SG
4	SDB(SD-)
5	SDA(SD+)
2	RDB(RD-)
3	RDA(RD+)
Cover	FG

● Connection Diagram 3: MICRO-EH Series Serial port 2 (RS422)

PLC(RS422/485):

D-sub 15-pin Female Connector

Name	Pin No.
VCC	5
RSN	6
SG	7
CSP	8
RT	9
RDN	10
RDP	11
SDN	12
SDP	13
RSP	14
CSN	15



HG5G/4G/3G/2G-V,  
HG4G/3G, HG2G-5F/-5T, HG1G:  
Terminal block

Pin No.	Name
5	SG
7	SDB(SD-)
6	SDA(SD+)
9	RDB(RD-)
8	RDA(RD+)

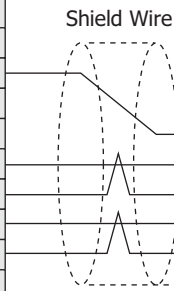


Insert a terminating resistor, if necessary. For the setting method, refer to Chapter 1 "3 Important Points Regarding Wiring" on page 1-4.

PLC(RS422/485):

D-sub 15-pin Female Connector

Name	Pin No.
VCC	5
RSN	6
SG	7
CSP	8
RT	9
RDN	10
RDP	11
SDN	12
SDP	13
RSP	14
CSN	15



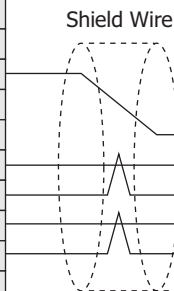
HG5G/4G/3G/2G-V,  
HG4G/3G, HG2G-5F:  
D-sub 9-pin Male Connector

Pin No.	Name
5	SG
9	SDB(SD-)
4	SDA(SD+)
6	RDB(RD-)
1	RDA(RD+)
Cover	FG

PLC(RS422/485):

D-sub 15-pin Female Connector

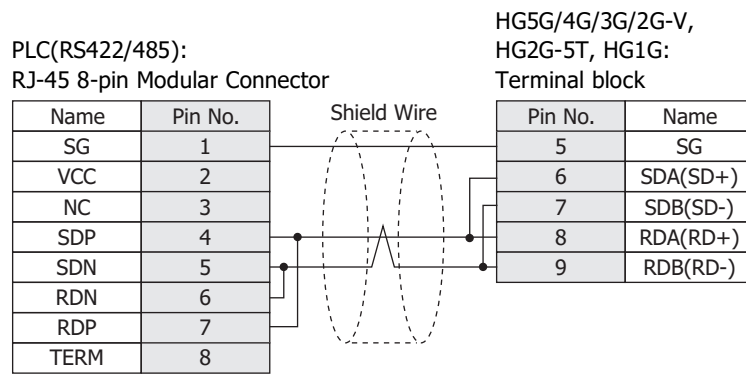
Name	Pin No.
VCC	5
RSN	6
SG	7
CSP	8
RT	9
RDN	10
RDP	11
SDN	12
SDP	13
RSP	14
CSN	15



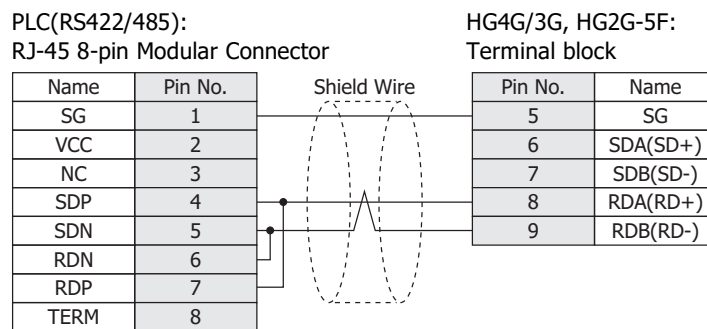
HG1P:  
D-sub 25-pin Male Connector

Pin No.	Name
6	SG
4	SDB(SD-)
5	SDA(SD+)
2	RDB(RD-)
3	RDA(RD+)
Cover	FG

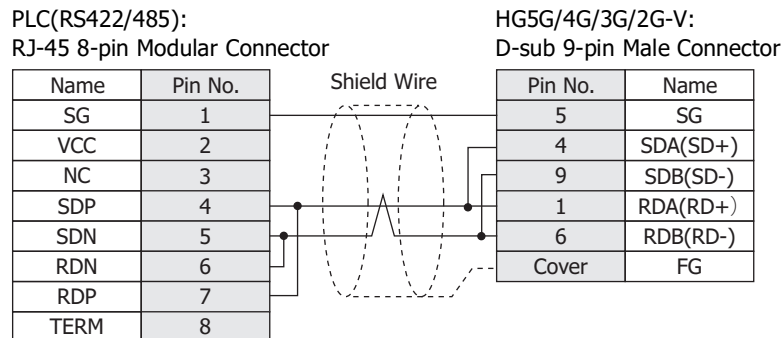
● Connection Diagram 4: MICRO-EH Series + EH-OB485 (RS485)



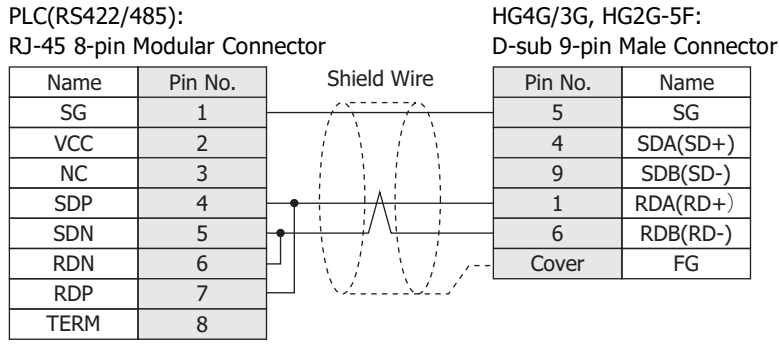
Insert a terminating resistor, if necessary. For the setting method, refer to Chapter 1 "3 Important Points Regarding Wiring" on page 1-4.



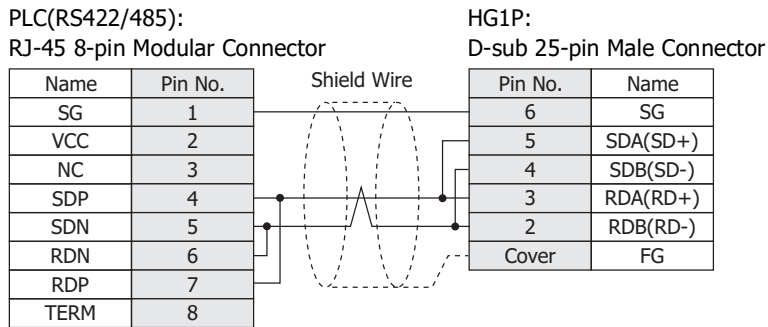
Insert a terminating resistor, if necessary. For the setting method, refer to Chapter 1 "3 Important Points Regarding Wiring" on page 1-4.



When connecting COM1 on the HG5G/4G/3G/2G-V to the external device, do not insert terminating resistor to the external device.



When connecting COM1 on the HG4G/3G, HG2G-5F to the external device, do not insert terminating resistor to the external device.



● Connection Diagram 5: MICRO-EH Series + EH-OB485 (RS422)  
MICRO-EHV Series + OBV-485A (RS422)

PLC(RS422/485):

RJ-45 8-pin Modular Connector

Name	Pin No.
SG	1
VCC	2
NC	3
SDP	4
SDN	5
RDN	6
RDP	7
TERM	8

Shield Wire

HG5G/4G/3G/2G-V,  
HG4G/3G, HG2G-5F/-5T, HG1G:  
Terminal block

Pin No.	Name
5	SG
8	RDA(RD+)
9	RDB(RD-)
7	SDB(SD-)
6	SDA(SD+)



Insert a terminating resistor, if necessary. For the setting method, refer to Chapter 1 "3 Important Points Regarding Wiring" on page 1-4.

PLC(RS422/485):

RJ-45 8-pin Modular Connector

Name	Pin No.
SG	1
VCC	2
NC	3
SDP	4
SDN	5
RDN	6
RDP	7
TERM	8

Shield Wire

HG5G/4G/3G/2G-V,  
HG4G/3G, HG2G-5F:  
D-sub 9-pin Male Connector

Pin No.	Name
5	SG
1	RDA(RD+)
6	RDB(RD-)
9	SDB(SD-)
4	SDA(SD+)
Cover	FG

PLC(RS422/485):

RJ-45 8-pin Modular Connector

Name	Pin No.
SG	1
VCC	2
NC	3
SDP	4
SDN	5
RDN	6
RDP	7
TERM	8

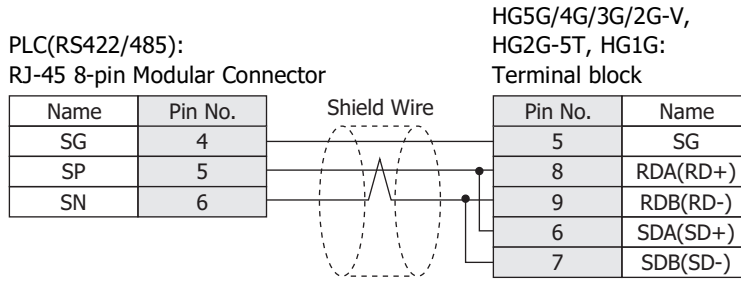
Shield Wire

HG1P:

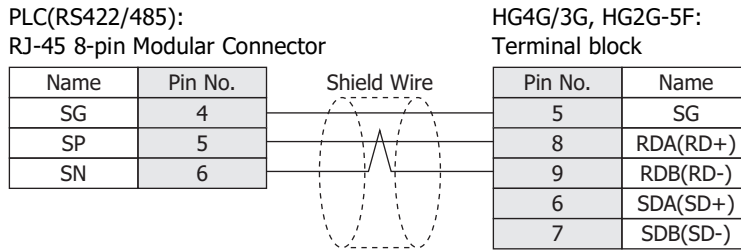
D-sub 25-pin Male Connector

Pin No.	Name
6	SG
3	RDA(RD+)
2	RDB(RD-)
4	SDB(SD-)
5	SDA(SD+)
Cover	FG

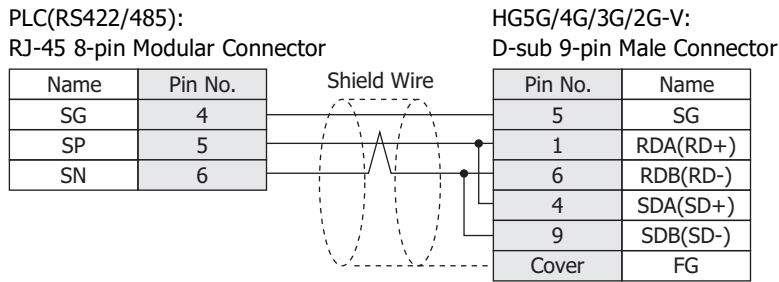
● Connection Diagram 6: MICRO-EHV Series + OBV-NES (RS485)



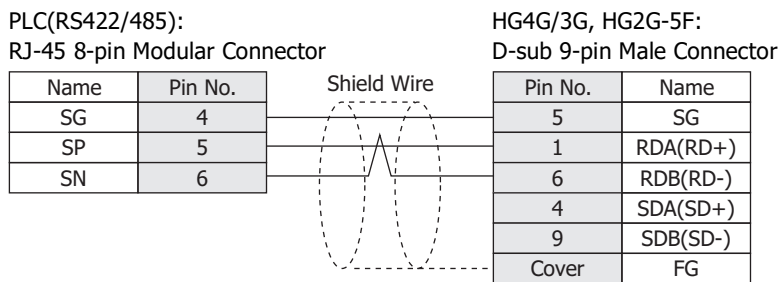
Insert a terminating resistor, if necessary. For the setting method, refer to Chapter 1 "3 Important Points Regarding Wiring" on page 1-4.



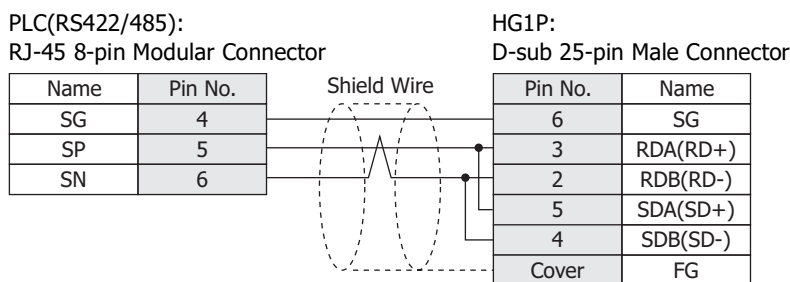
Insert a terminating resistor, if necessary. For the setting method, refer to Chapter 1 "3 Important Points Regarding Wiring" on page 1-4.



When connecting COM1 on the HG5G/4G/3G/2G-V to the external device, do not insert terminating resistor to the external device.



When connecting COM1 on the HG4G/3G, HG2G-5F to the external device, do not insert terminating resistor to the external device.





## 21.4 Environment Settings

- MICRO-EH/-EHV Series: Connects to Serial port

### The main unit settings

Set the following items on the Project Settings dialog box in WindO/I-NV4.

Tab Name	Item	Setting
Communication Interface	Baud Rate* <sup>1</sup>	115200, 57600, 38400, 19200, 9600 or 4800 bps
	Data Bits	7
	Stop Bits	1
	Parity	Even
	Flow Control	None
	Serial Interface* <sup>2</sup>	RS232C, RS422/485 2-wire or RS422/485 4-wire
Communication Driver	Set the Station Number	It varies based on the <b>Communication procedure</b> of the PLC. Procedure1(1:1): Not selected Procedure1(1:n): Selected
Communication Driver Network	Slave Number* <sup>3</sup>	Set the Station Number (0 to 31) of PLC.

### PLC Settings

Item	Setting
Interface	RS232C, RS422 or RS485
Baud Rate* <sup>1</sup>	Use the same settings as for the main unit. 115200, 57600, 38400, 19200, 9600 or 4800 bps
Station Number	
Purpose	Dedicated
Communication procedure	Procedure1(1:1) Procedure1(1:n)

\*1 The communication speed settings varies based on the PLC model. For details, refer to the PLC manual.

\*2 The interface settings varies based on the PLC model. For details, refer to the PLC manual.

\*3 This setting is disregarded when **Set the Station Number** check box is not selected.

● EH-150, EHV Series: Connects to Ethernet port or Ethernet Unit

The main unit settings

Set the following items on the Project Settings dialog box in WindO/I-NV4.

Tab Name	Item	Setting
Communication Interface	IP Address	Set the IP address of the main unit.
	Subnet Mask	Set the subnet mask of the main unit.
	Default Gateway	Set the default gateway of the main unit.
Communication Driver Network	IP Address	Set the IP address of PLC.
	Port Number	Set the port number of PLC. (Default: 3004)

PLC Settings

Item	Setting	
CPU Communication Settings (IP Address)	IP Address	Set the IP address of PLC.
	Subnet mask	Set the subnet mask of PLC .
	Default Gateway	Set the default gateway of PLC.
	Communication speed/Method	AUTO 100M/Full Duplex 100M/Half Duplex 10M/Full Duplex 10M/Half Duplex
CPU Communication Settings (Ethernet Communication Settings (Task Code))	Port Number	Setting Port Number.
	Protocol	TCP/IP
	Time Out	Setting Timeout time. (sec)



This communication driver does not support CPU Link and Remote communication.

## 21.5 Usable Device Addresses

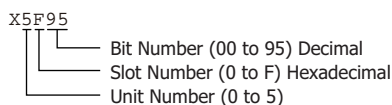
### Bit Device

Device Name	Device Type		Address Number Range	Read /Write	Address Numeral System
	Main unit	PLC			
External Input (Bit)	X	X	0 to 5F95	R	*1
External Output (Bit)	Y	Y	0 to 5F95	R/W	*1
Internal Output (Bit)	R	R	0 to FFF	R/W	Hexadecimal
Data Area M (Bit)	M	M	0 to 7FFFF	R/W	Hexadecimal
Timer Counter (Contact)	TCS	TC	0 to 2559	R	Decimal
Counter Clear	CL	CL	0 to 2559	R/W	Decimal
Extension External Input (Bit)	EX	EX	0 to 5F7FF	R	*2
Extension External Output (Bit)	EY	EY	0 to 5F7FF	R/W	*2

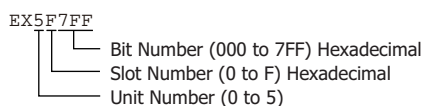
### Word Device

Device Name	Device Type		Address Number Range	Read /Write	Address Numeral System
	Main unit	PLC			
External Input (Word)	WX	WX	0 to 5F7	R	*3
External Output (Word)	WY	WY	0 to 5F7	R/W	*3
Internal Output (Word)	WR	WR	0 to FFFF	R/W	Hexadecimal
Data Area WM (Word)	WM	WM	0 to 7FFF	R/W	Hexadecimal
Timer Counter (Current Value)	TC	TC	0 to 2559	R/W	Decimal
Data Area WN	WN	WN	0 to 1FFFF	R/W	Hexadecimal
Extension External Input (Word)	WEX	WEX	0 to 5F7F	R	*4
Extension External Output (Word)	WEY	WEY	0 to 5F7F	R/W	*4

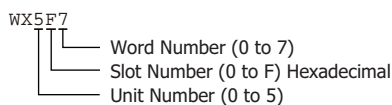
\*1 The address number range is as follows:



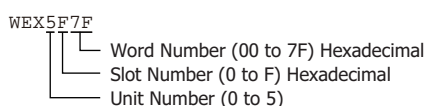
\*2 The address number range is as follows:



\*3 The address number range is as follows:



\*4 The address number range is as follows:



# 22 ABB

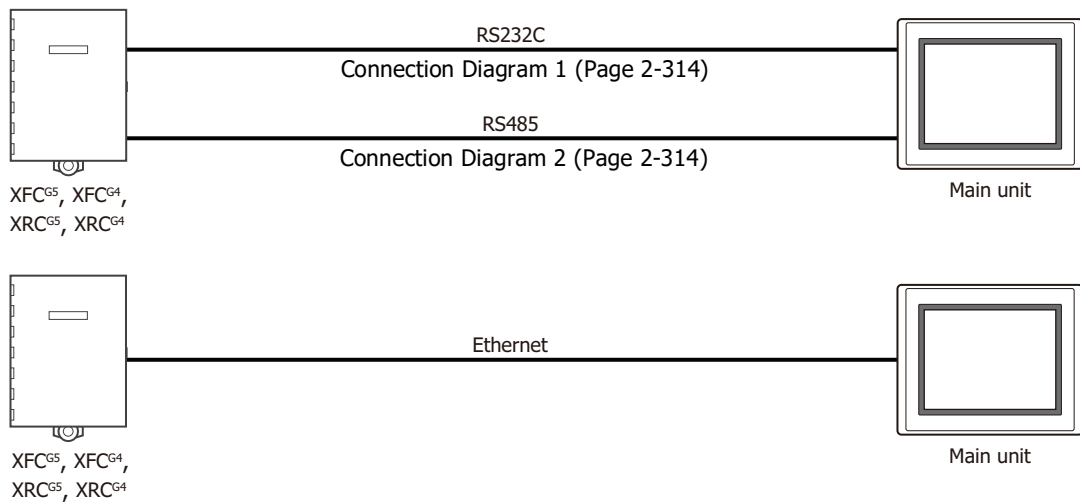
## 22.1 Connection Table

CPU Unit	Link Unit	WindO/I-NV4 Settings		
		Interface	Flow Control	Communication Driver
XFC <sup>G5</sup> XFC <sup>G4</sup> XRC <sup>G5</sup> XRC <sup>G4</sup>	Not required	RS232C Connection Diagram 1 (Page 2-314) RS485 Connection Diagram 2 (Page 2-314)	None	Totalflow G4/G5(RS232C/485)
		Ethernet		Totalflow G4/G5(Ethernet)
μFLO <sup>G5</sup> μFLO <sup>G4</sup> 6200EX <sup>G5</sup> 6200EX <sup>G4</sup> 6201EX <sup>G5</sup> 6201EX <sup>G4</sup>	Not required	RS232C Connection Diagram 1 (Page 2-314) RS485 Connection Diagram 2 (Page 2-314) RS422 Connection Diagram 3 (Page 2-315)	None	Totalflow G4/G5(RS232C/485)
RMC <sup>G5</sup> RMC <sup>G4</sup>		Ethernet		Totalflow G4/G5(Ethernet)
NGC <sup>G5</sup> NGC <sup>G4</sup>				

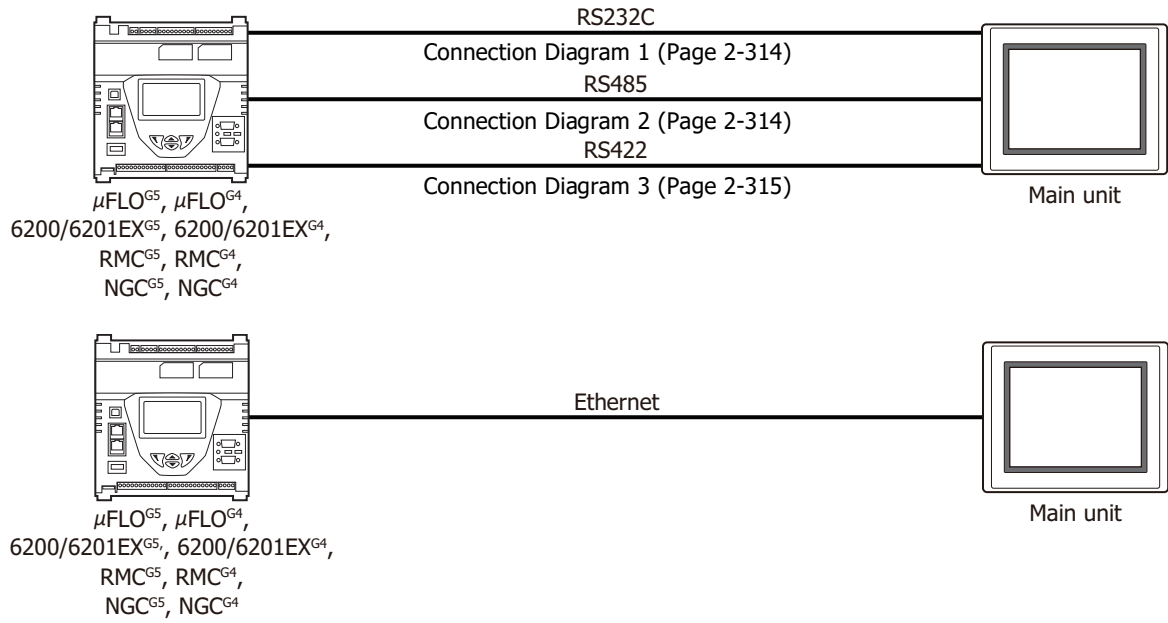
## 22.2 System Configuration

This is the system configuration for the connection of ABB devices to the main unit.

- XFC<sup>G5</sup>, XFC<sup>G4</sup>, XRC<sup>G5</sup> or XRC<sup>G4</sup>



- $\mu$ FLO<sup>G5</sup>,  $\mu$ FLO<sup>G4</sup>, 6200/6201EX<sup>G5</sup>, 6200/6201EX<sup>G4</sup>, RMC<sup>G5</sup>, RMC<sup>G4</sup>, NGC<sup>G5</sup> or NGC<sup>G4</sup>

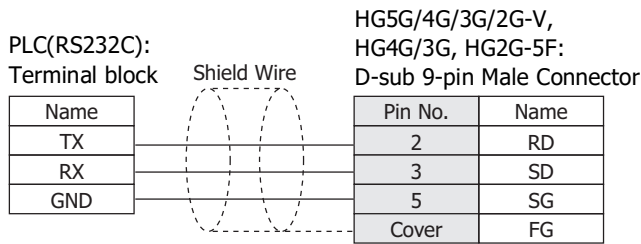
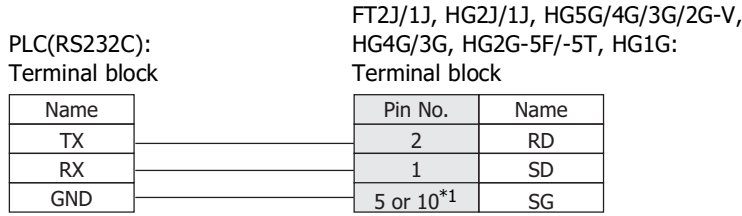


## 22.3 Connection Diagram

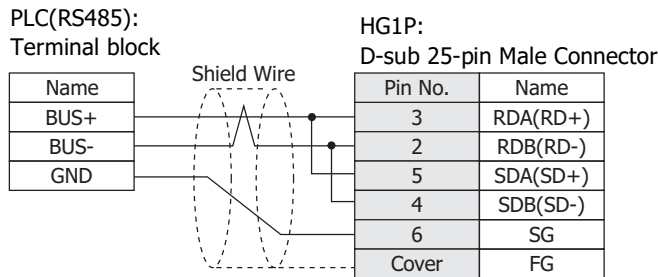
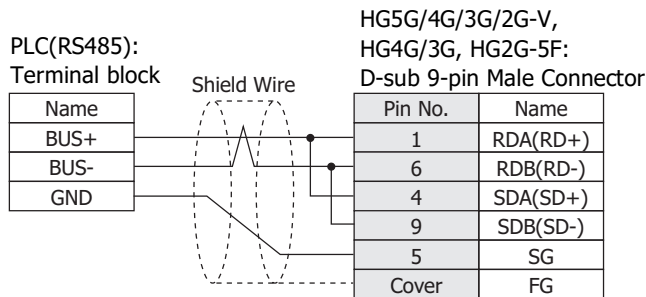
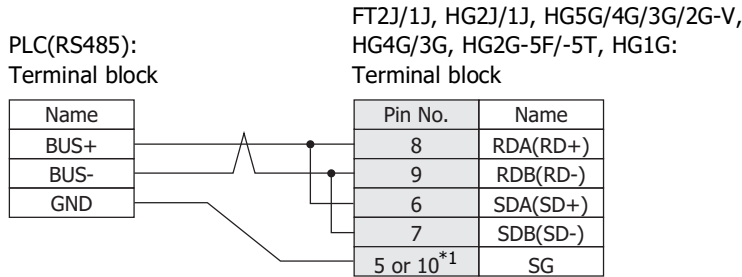


The connector types given in the Connection Diagrams are for the unit and not the cable. For details regarding wiring, refer to Chapter 1 “3 Important Points Regarding Wiring” on page 1-4.

### ● Connection Diagram 1: RS232C



### ● Connection Diagram 2: RS485



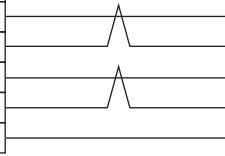
The wiring varies based on the ABB device model. Please refer to the PLC operation manual for more information.

\*1 FT1J, HG1J only

● Connection Diagram 3: RS422

PLC(RS422):  
Terminal block

Name
TBUS+
TBUS-
RBUS+
RBUS-
GND

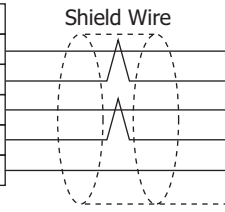


FT2J/1J, HG2J/1J, HG5G/4G/3G/2G-V,  
HG4G/3G, HG2G-5F/-5T, HG1G:  
Terminal block

Pin No.	Name
8	RDA(RD+)
9	RDB(RD-)
6	SDA(SD+)
7	SDB(SD-)
5 or 10*1	SG

PLC(RS422):  
Terminal block

Name
TBUS+
TBUS-
RBUS+
RBUS-
GND

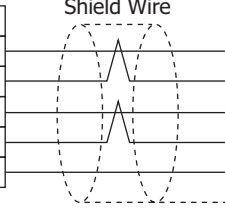


HG5G/4G/3G/2G-V,  
HG4G/3G, HG2G-5F:  
D-sub 9-pin Male Connector

Pin No.	Name
1	RDA(RD+)
6	RDB(RD-)
4	SDA(SD+)
9	SDB(SD-)
5	SG
Cover	FG

PLC(RS422):  
Terminal block

Name
TBUS+
TBUS-
RBUS+
RBUS-
GND



HG1P:  
D-sub 25-pin Male Connector

Pin No.	Name
3	RDA(RD+)
2	RDB(RD-)
5	SDA(SD+)
4	SDB(SD-)
6	SG
Cover	FG

\*1 FT1J, HG1J only

## 22.4 Environment Settings

### ● Connecting to the RS232C/RS485 Port

Set the following items on the Project Settings dialog box in WindO/I-NV4.

Tab Name	Item	Setting
Communication Interface	Baud Rate	115200, 57600, 38400, 19200, 9600, 4800, 2400 or 1200 bps
	Data Bits	8
	Stop Bits	1, 2
	Parity	None, Odd or Even
	Serial Interface	RS232C, RS422/485 2-wire or RS422/485 4-wire
Communication Driver	Transmission Wait	0 to 255 (x10 msec) <sup>*1</sup>
	Time Out	1 to 255 (x100 msec) <sup>*2</sup>
	Retry Cycles	0 to 255
Communication Driver Network	Link Time	Set the same value as <b>Listen cycle</b> of the External Device.
	Security Code	Set the Security Code of the External Device.
	Station ID	Set the Station ID of the External Device.

### ● Connecting to the Ethernet Port

Tab Name	Item	Setting
Communication Driver	Transmission Wait	0 to 255 (x10 msec) <sup>*1</sup>
	Time Out	1 to 255 (x100 msec) <sup>*2</sup>
	Retry Cycles	0 to 255
Communication Driver Network	IP Address	Set the IP Address of the External Device.
	Port Number	Set the Port Number of the External Device.
	Security Code	Set the Security Code of the External Device.
	Station ID	Set the Station ID of the External Device.

\*1 A value larger than the value set in **Unkey delay** of the target device is recommended.

\*2 A value larger than the value set in **Response delay** of the target device is recommended.



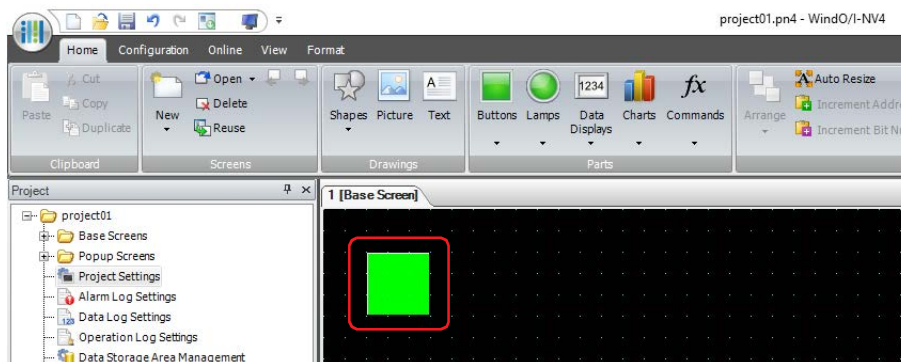
## 22.5 Usable Device Addresses

Setting Name	Range
Application	0 to 255
Array	0 to 255
Register	0 to 65535
Bit	The range of bit number varies based on <b>Data Size</b> . Byte: 0 to 7 Word: 0 to 15 DWord: 0 to 31

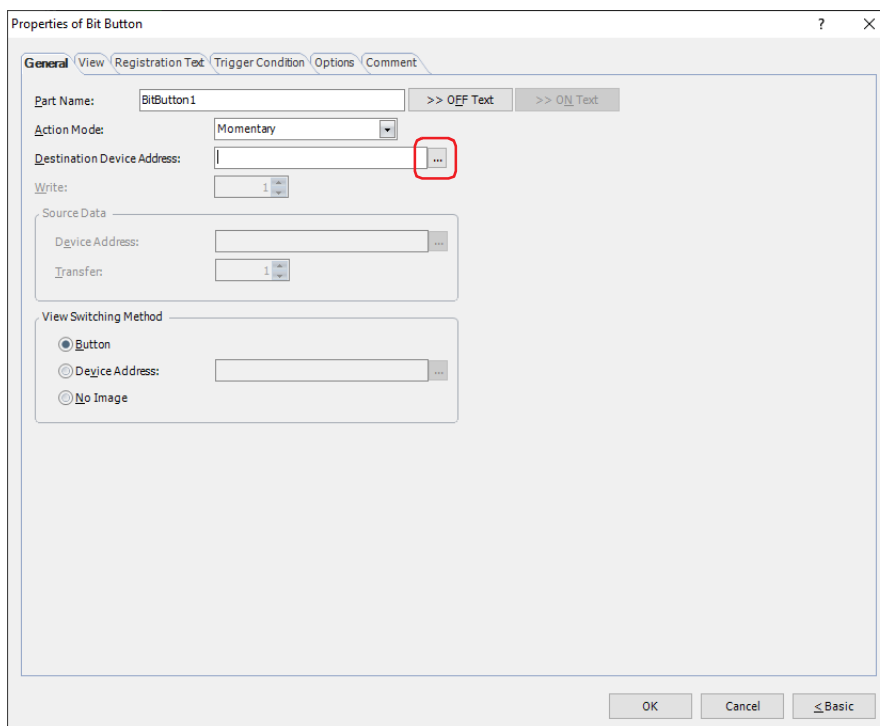
## 22.6 Device Address Configuration Procedure

Example: Set an external device address to the Bit Button.

- 1 Place the Bit Button on the screen, and then double click it.  
The Properties dialog box is displayed.

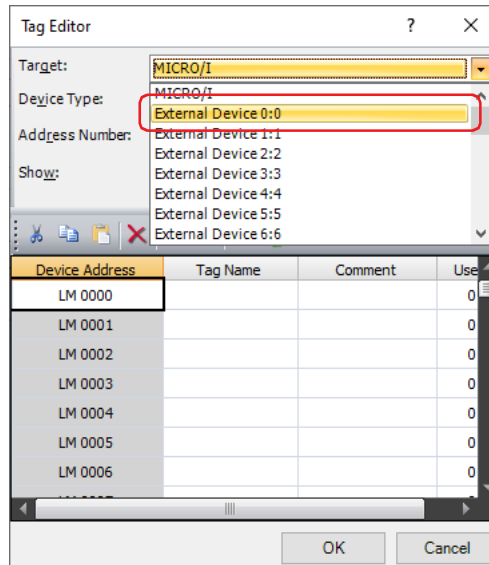


- 2 Click  on the right of the **Destination Device Address**.  
Tag Editor is displayed.



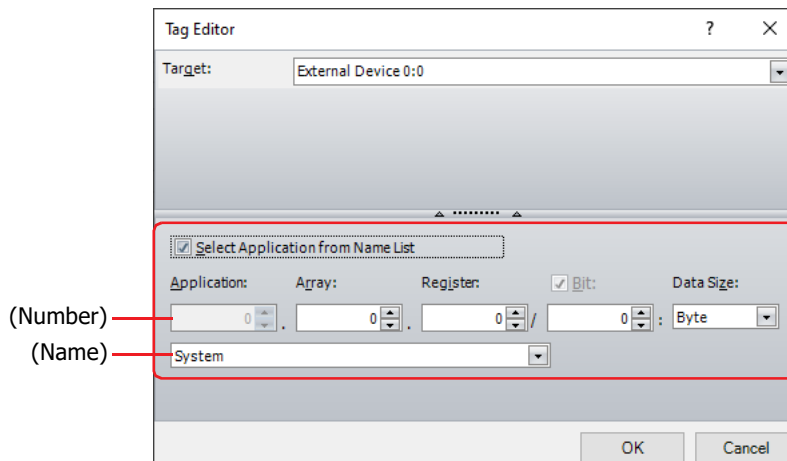
### 3 Under **Target**, select an **External Device**.

The control for setting a device address for ABB device will be displayed.



### 4 Configure **Application**, **Array**, **Register**, **Bit** and **Data Size**.

Enter values in **Application**, **Array**, **Register**, and specifies **Data Size**. When the bit device or the bit number of the word device needs to be configured, select the **Bit** check box and enter a value.



#### ■ **Select Application from Name List**

Application can be configured by the number or by the name registered in **Configure Application Name** on **Communication Driver Network** tab of **Project Setting** dialog box.

To specify the Application by the name, select this check box and select from the (Name).

The name of Application can be configured in **Configure Application Name** on **Communication Driver Network** tab of **Project Settings** dialog box. For details, refer to "Configure Application Name Dialog Box" on page 2-320.

#### ■ **Application**

Application can be configured by the number or by the name registered in **Configure Application Name** on **Communication Driver Network** tab of **Project Setting** dialog box.

(Number): Specify the Application number (0 to 255). This option can only be set when **Select Application from Name List** is cleared.

(Name): Select from the list. This option can only be set when **Select Application from Name List** is selected. The name of Application can be configured in **Configure Application Name** on **Communication Driver Network** tab of **Project Settings** dialog box. For details, refer to "Configure Application Name Dialog Box" on page 2-320.

#### ■ **Array**

Specify the Array number (0 to 255).

### ■ Register

Specify the Register (0 to 65535).

### ■ Bit

Specify the bit number.

The range of bit number varies based on **Data Size**.

Byte: 0 to 7

Word: 0 to 15

DWord: 0 to 31

This option can only be set when either Byte, or Word or DWord is selected for the **Data Size**.

### ■ Data Size

Select the data size corresponding to the data type defined by ABB software from the following.

"Byte", "Word", "DWord", "Double<sup>\*1</sup>", "String"

The main unit supports the following data types defined by ABB software.

ABB Totalflow Data Size	Size (Byte)	WindO/I-NV4 Data Size
Bool	1	Byte
Byte	1	Byte
Char	1	Byte
Datetime	4	DWord
Double	8	Double <sup>*1</sup>
Float	4	DWord
Int8	1	Byte
Int16	2	Word
Int32	4	DWord
Register	4	DWord
SInt8	1	Byte
SInt32	4	DWord
String65	65	String
UChar	1	Byte
UInt8	1	Byte
UInt8[65]	65	String
UInt16	2	Word
UInt32	4	DWord

### 5 Click **OK**.

The configured Device Address is displayed in the **Destination Device Address**.



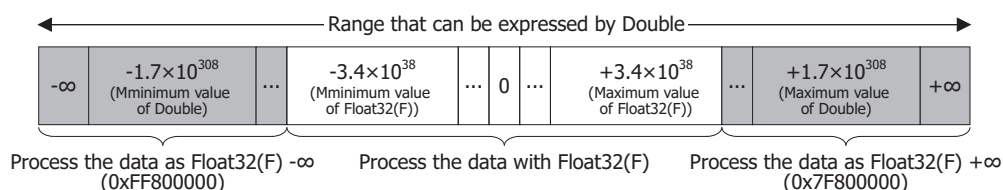
The format for entering a device address directly is as follows.

Word Device or Bit Device: External Device ID: Application.Array.Register:Date Size  
Example: 0:100.123.4567:Byte

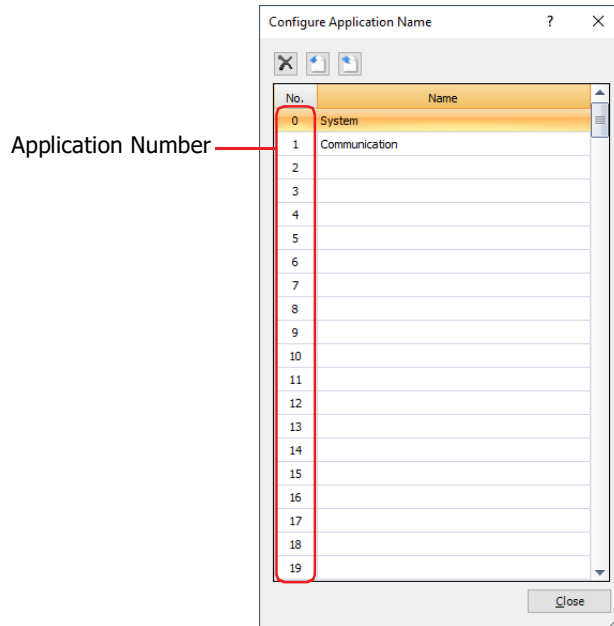
Bit number of the word device: External Device ID: Application.Array.Register/Bit:Date Size  
Example: 0:10.234.567/0:Word

\*1 The maximum size of numeric data that can be processed by the main unit is 4 bytes. If 8-byte Double Data is received, then it is converted to 4-byte Float32(F) data and processed. Please be aware of the following points when **Double** is selected for the **Data Size**.

- A margin of error may be caused by converting Double data to Float32(F) data.
- If the value is out of the Float32(F) data range, then it will be processed as  $-\infty$ (0xFF800000) or  $+\infty$ (0x7F800000) of Float32(F).



## ● Configure Application Name Dialog Box



### ■ (Delete)

Deletes the name assigned to Application Number from the list.

Select a name from the list, and click  (Delete).

### ■ (Import)

Imports the file of the Application Name saved by the text format (\*.txt). Click this button to display the **Open** dialog box.

Select the exported Application Number and name file(\*.txt), then click **Open** to collectively overwrite the names assigned to Application Numbers.



If there is a name already registered on the **Configure Application Name**, then an overwrite confirmation message will be displayed.

- Click Yes to overwrite the name displayed in the confirmation message.
- Click Yes To All to overwrite all the names.
- Click No to display the next confirmation message without overwriting the name displayed in the confirmation message.
- Click Cancel to stop importing names.

### ■ (Export)

Click this button to display the Save As dialog box.

By selecting a save location and clicking on the **Save** button, export function saves the Application Numbers and the assigned names to a text file.

### ■ **Number**

Application Number (0 to 255) of the Security Group.

### ■ **Name**

Enter the name for the Application Number.

The maximum number of characters is 40. Only alphanumeric characters and symbols\*<sup>1</sup> can be used.



- Use a letter or symbol for the first character.
- Cannot set duplicate names.

\*1 Excludes pound(#), dollar(\$), asterisk(\*), plus(+), hyphen(-), period(.), slash(/), colon(:) and square brackets([]).

---

- Restrictions

- The external device address cannot be monitored using the main unit Device Monitor or WindO/I-NV4.
- The O/I Link Communication cannot be used.
- The Pass-Through Function cannot be used.

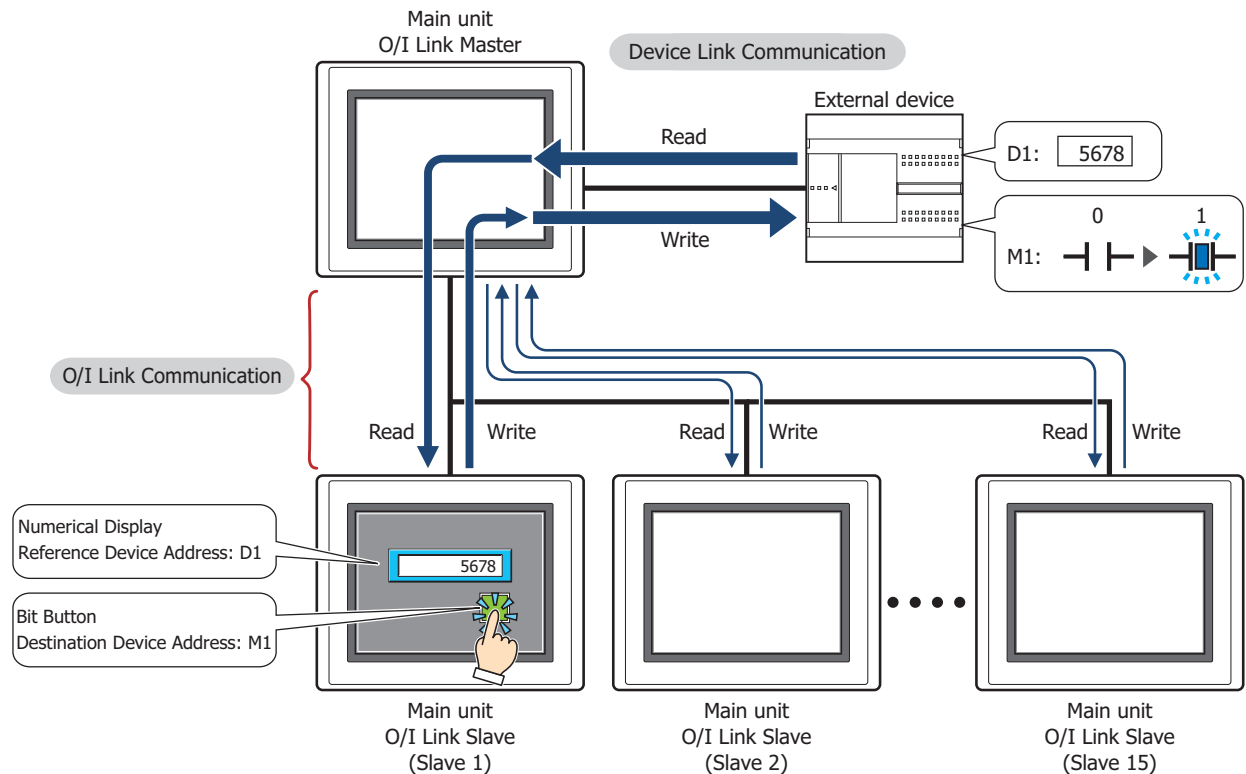


# Chapter 3 O/I Link Communication

## 1 Outline

O/I Link Communication is a protocol for communication between Master and Slave, where a main unit connected to the external device is configured as a Master and multiple main units (Slaves) communicate with the external device via the Master.

The Master main unit communicates with the external device by means of Device Link Communication. The Master main unit is called an O/I Link Master and the Slave the main unit connected to the O/I Link Master is called an O/I Link Slave. A maximum of 15 O/I Link Slaves can be connected to an O/I Link Master.

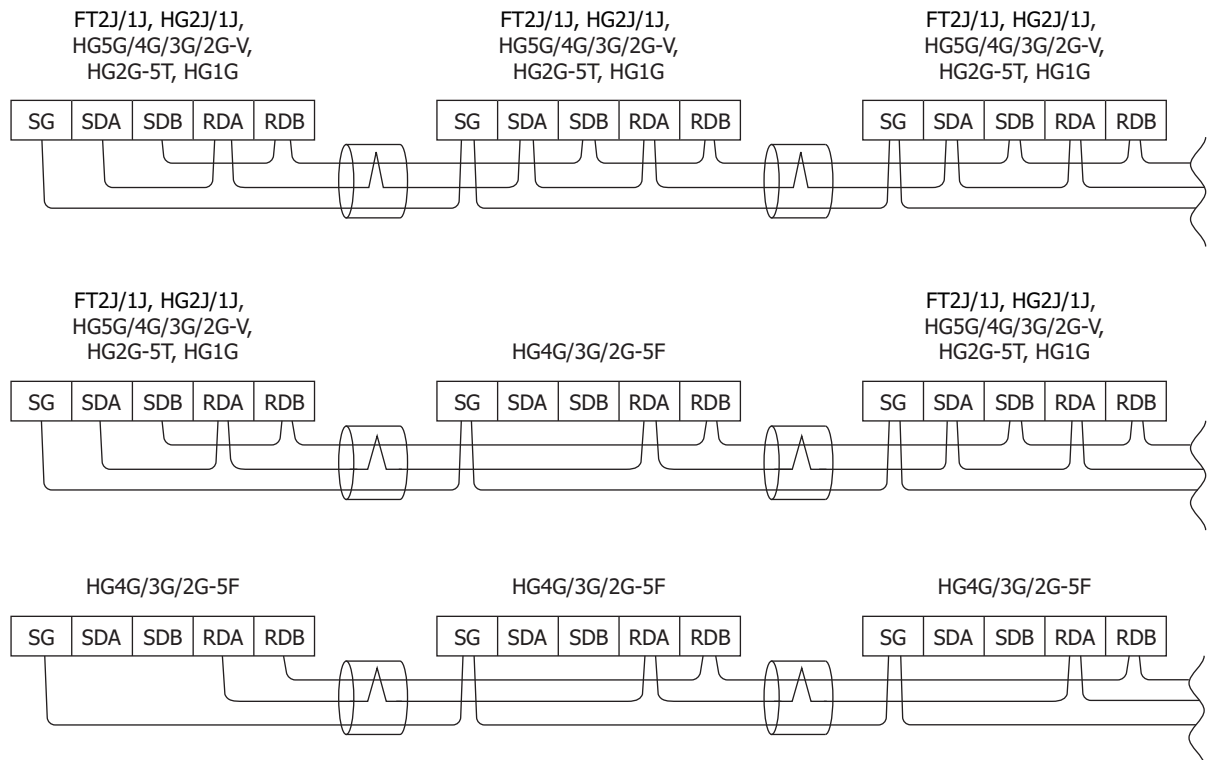


O/I Link Communication can only be used for the External Device Communication 1. The communication driver and the External Device ID of O/I Link Slave should match the O/I Link Master's.



- Use the runtime system version 4.01 or later for HG4G/3G and HG2G-5F/-5S/-S when connecting the FT2J/1J, HG2J/1J, HG5G/4G/3G/2G-V, HG4G/3G, HG2G-5F/-5S/-S, HG1G/1P via O/I Link Communication.
- The FT2J/1J, HG2J/1J, HG5G/4G/3G/2G-V, HG4G/3G, HG2G-5F/-5T, HG1G/1P and the HG4F/3F/2F/2S/1F use a different protocol for the O/I Link Communication. To communicate them via the O/I Link Communication, select **Use the same O/I Link Communication as the HG4F/3F/2F/2S/1F** check box on the **Compatible** tab of the **Project Settings** dialog box.

## 1.1 Wiring Diagram



- The HG4G/3G, HG2G-5F uses only RDA and RDB when using RS422/485 2-wire, therefore, you don't need to connect SDA or SDB.
- When connect COM1 of The HG5G/4G/3G/2G-V, HG4G/3G and the SERIAL1 of the HG2G-5T, set the terminating resistor of the HG2G-5T to OFF.
- The FT2J/1J, HG2J/1J, HG5G/4G/3G/2G-V, HG4G/3G, HG2G-5F/-5T, HG1G and the HG4F/3F/2F/2S/1F use a different protocol for the O/I Link Communication. To communicate them via the O/I Link Communication, select **Use the same O/I Link Communication as the HG4F/3F/2F/2S/1F** check box on the **Compatible** tab of the **Project Settings** dialog box.



## 2 Settings

To use the O/I Link Communication, you must set the necessary items in the O/I Link tab of the Project Settings dialog box that is displayed by clicking **Project** in the Configuration group on the System Setup tab of WindO/I-NV4. For details, refer to the WindO/I-NV4 User's Manual.

### Project Settings Dialog Box

Tab Name	Setting Name	Description
O/I Link	O/I Link Type	Set the main unit connected to the PLC as the master, and the other main unit as slaves (1 to 15). Make sure that the settings do not overlap.
	Slave Settings	The main unit that are connected to the master main unit (i.e. the one whose O/I Link Type is registered as Master) must be registered as slaves (1 to 15). Select the checkbox.

For the settings of the Device Link Communication, refer to the table below.

Tab Name	Setting Name	Master	Slave 1 to 15
System	Start Time (sec)	Set it according to the environment.	Setting not required.
	Use System Area	When <b>Use System Area</b> is selected, we recommend that you make the setting so that there is no overlap. Overlap between system areas can affect operation.	
	Use System Areas 3, 4		
	Watch Dog	Set according to your application.	
	Device Address		
	Time (sec)		
Communication Interface	SERIAL1(RS232C)	Select <b>External Device Communication 1</b> .	Setting not required.
	SERIAL1(RS422/485)	Select <b>O/I Link Master</b> .	Select <b>O/I Link Slave</b> .
	Baud Rate	Match to the setting of O/I Link slave.	Match to the setting of O/I Link master.
Communication Driver	Manufacturer	For the External Device Communication 1 settings, make them the same for all main units.	
	Communication Driver		
	Transmission Wait (x10 msec)	Set it according to the environment.	For the External Device Communication 1 settings, make them the same for all main units.
	Time Out (x100 msec)		
	Retry Cycles		
(Other setting)	Match to the setting of the PLC that you will use.		

### 3 Communication Service

The O/I Link Master is equipped with registers for changing the O/I Link slave connection settings and for monitoring the online status of the O/I Link slaves.

In addition, the O/I Link slaves are equipped with a register that can be used to monitor the polling period of the O/I Link master.



Online status indicates that the master and a slave are communicating normally.

And offline status indicates that either the master is not communicating with a slave or there is a problem with the communication.

#### 3.1 O/I Link slave Registration Setting Register (LSD102 in the O/I Link master)

This register can be used to change the O/I Link slave connection settings. You can freely add and remove O/I Link slaves using this master register. The configuration of the register is given below.

O/I Link slaves whose corresponding bit is "1" are registered.

Bit	15	14	13	12	11	10	9	8	7	6	5	4	3	2	1	0
LSD102	Slave 15	Slave 14	Slave 13	Slave 12	Slave 11	Slave 10	Slave 9	Slave 8	Slave 7	Slave 6	Slave 5	Slave 4	Slave 3	Slave 2	Slave 1	Always 0

After power is applied or the screen data is downloaded, the O/I Link slaves to be used are cleared in accordance with the connection settings made using WindO/I-NV4. To add or remove O/I Link slaves, set their corresponding bits to 1 or 0 respectively.

#### 3.2 O/I Link slave Online Data Register (LSD104 in the O/I Link master)

This register can be used to monitor the online status of the O/I Link slaves registered to the O/I Link. The configuration of the register is given below.

Bit	15	14	13	12	11	10	9	8	7	6	5	4	3	2	1	0
LSD104	Slave 15	Slave 14	Slave 13	Slave 12	Slave 11	Slave 10	Slave 9	Slave 8	Slave 7	Slave 6	Slave 5	Slave 4	Slave 3	Slave 2	Slave 1	Always 0

Bits corresponding to online O/I Link slaves are 1, and bits corresponding to offline O/I Link slaves or O/I Link slaves not selected for connection are 0.



If the values of the data for the O/I Link slave registration setting and the O/I Link slave online data register are not the same, either the registered O/I Link slave does not exist, or there is some problem with the O/I Link slave connection. Check the wiring and the settings.

#### 3.3 O/I Link Polling Period Register (LSD101 in the O/I Link slaves)

This register stores the value of the polling period from the O/I Link master in 10 msec steps. Use it to provide an indication of the response time from the O/I Link master.

#### 3.4 O/I Link slave Error information Register (LSD106 in the O/I Link master)

When the communication error occurred between O/I Link master and any O/I Link slave, the bit of each O/I Link slave turns on for one scan time.

Bit	15	14	13	12	11	10	9	8	7	6	5	4	3	2	1	0
LSD106	Slave 15	Slave 14	Slave 13	Slave 12	Slave 11	Slave 10	Slave 9	Slave 8	Slave 7	Slave 6	Slave 5	Slave 4	Slave 3	Slave 2	Slave 1	Always 0

## 4 Communication Status Confirmation

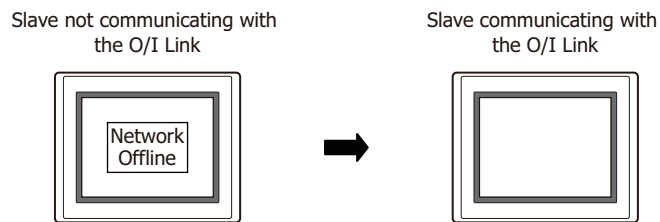
### 4.1 O/I Link Master Error Processing

The master does not display O/I Link errors. To monitor for errors, compare LSD102 and LSD104. If they are different, it indicates that there is a communication problem.

In the case of Device Link Communication with the PLC, errors are displayed and the error information is written to the System Area.

### 4.2 O/I Link Slave Error Processing

When a slave is not engaged in O/I Link communication with the master, Network Offline is displayed on the center of the screen. The screen is cleared when communication starts.

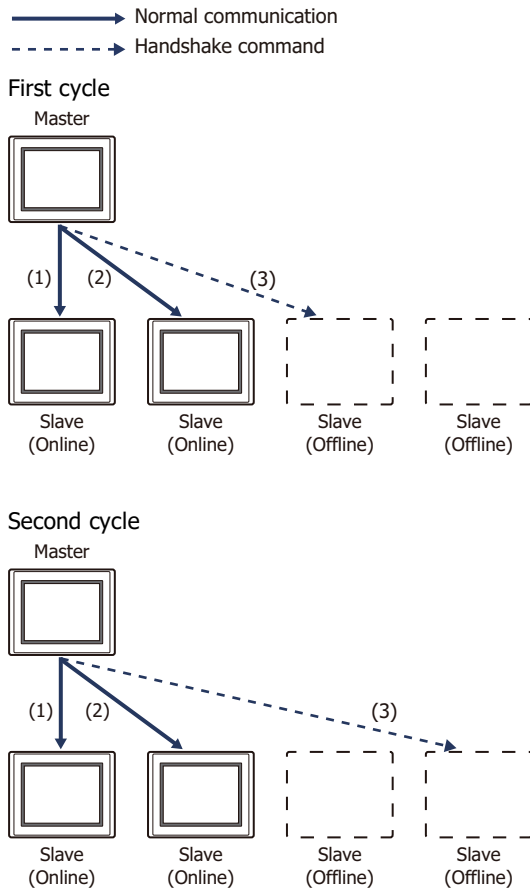


### 4.3 Status of a Slave in the O/I Link

If a slave unit does not exist or fails to engage in normal communication even though the slave is registered in the Slave Registration Setting Register (LSD102 in the master), the status of the slave is referred to as "offline" status. Conversely, the status of the slave in which normal communication is executed is referred to as "online" status. When a slave unit is in offline status, the master always monitors the slave status if it is online. In one cycle, the master searches for one slave unit in the offline status after the master completes the communications with all slave units in online status. Two sets of O/I cycle periods are required in order to recognize two slave units in offline status.

#### 2 slave units are in offline status:

The numbers in parenthesis indicate the processing sequence.



The Time Out duration for the command that detects the presence/absence of a slave (hereafter referred to as a handshake command) is set to 30 msec on the master.

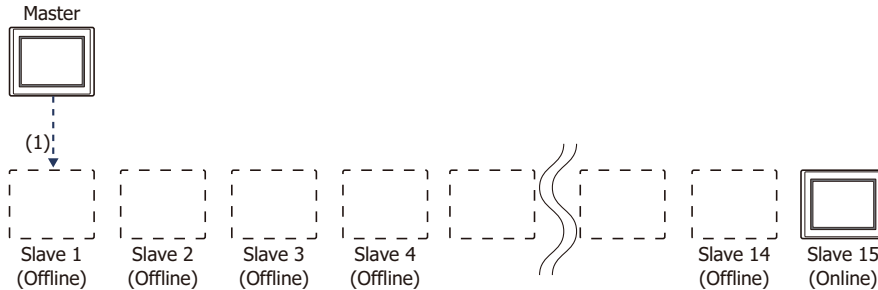
When there are one or more slave units in the offline status, the total scanning time of the O/I Link will increase by 30 msec. Even when 15 slave units are in offline status, the increase will remain at 30 msec.

After power is turned on, the master sends handshake commands to the registered slave units in the ascending sequence and launches normal communication starting with the slave units that send back the response.

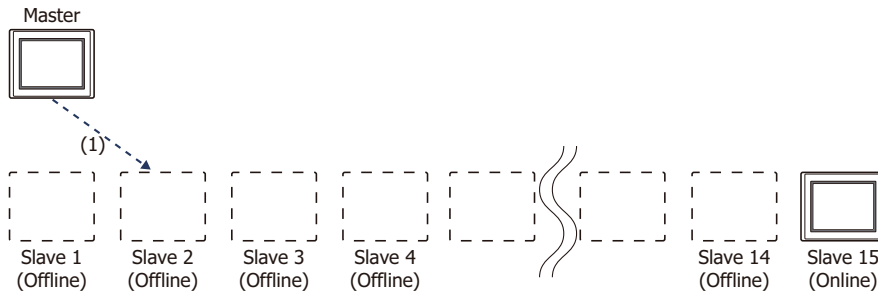
When 15 slave units are registered, and only the 15th slave actually exist, the master sends handshake commands sequentially starting from the 1st slave unit until it recognizes the 15th slave unit. The whole sequence takes approximately 420 msec (30 msec x 14).

After the data transmission with the 15th slave unit is completed, the master registers the slave to LSD102 and performs normal communications with Slave 15. During the communication, the master sends a handshake command to one slave unit in offline status per one O/I Link scanning.

First cycle

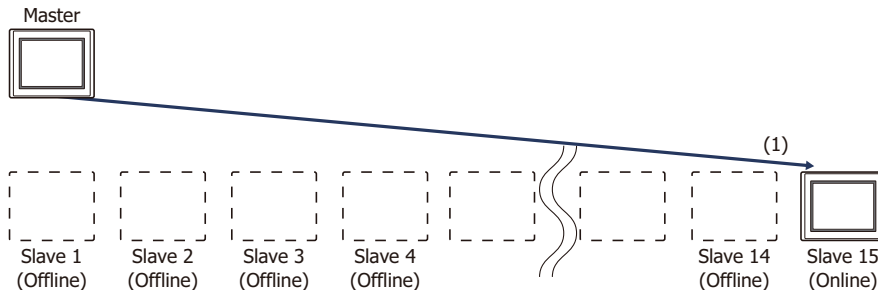


Second cycle

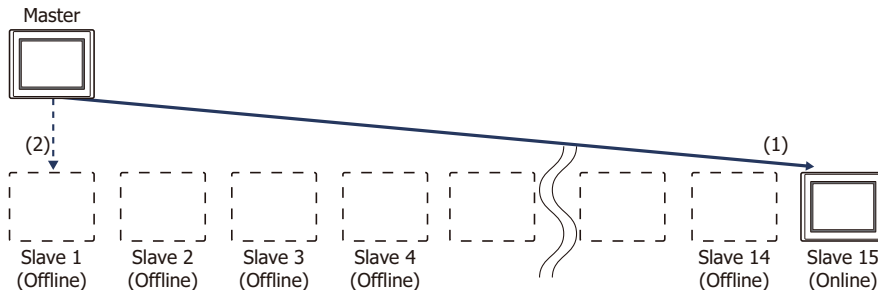


...

Fifteenth cycle



Sixteenth cycle



#### 4.4 Slave changes status from Online to Offline in the O/I Link

When a slave does not respond during normal communication between the master and a slave, the master aborts the processing and starts communicating with the next slave unit. During the next O/I Link cycle, the master will again send a command to the slave unit with which the error occurred during the previous cycle. If the slave does not respond again, the slave will set to the offline state and will be deleted from Slave online information register (LSD104 in the master).

## 5 Important Notes

### 5.1 Communication Traffic Volume of the O/I Link Network

The network scanning time which includes the time to retrieve data from PLC and also to communicate to O/I link depends on the amount of communication on the network. When there is a lot of traffic on the network, scanning may take more time, as a result it may cause the main unit to operate slow. At the worst case, the main unit is not able to complete scanning, and displays an error message, "Network Offline".

Please follow instructions below to improve performance. These instructions should reduce amount of communication on the network.

The causes and the solutions are as follows.

Cause	Solution
Base Screen or Popup Screen is switched frequently.	Change the settings so that the screen isn't switched frequently.
<ul style="list-style-type: none"> <li>Monitoring Period in Alarm Log Settings and Recipe Settings set shorter than the time needed for scanning network.</li> <li>When <b>While satisfying the condition of writing to data storage area</b> is selected as <b>Sampling Method</b> of Data Log Settings, the condition is satisfied at intervals shorter than the network scan time.</li> </ul>	Please consider the time needed for network scanning before setting schedule for Alarm Log Settings, Data Log Settings, Recipe Settings and parts. We strongly recommend only using Alarm Log Settings, Data Log Settings and Recipe Settings on Master.
There are many External Device Addresses per screen.	Reduce the number of External Device Address set per screen.



You can check the scanning time on the network by LSD6 of the O/I Link master and LSD101 of the O/I Link Slave.

## 6 Result on the Performance Evaluation of the main unit

Evaluation of O/I Link performance with the main unit is conducted in the following conditions.

### 6.1 Conditions

PLC	PLC Link compatible MELSEC-Q Series Baud Rate: 115,200 bps
O/I Link	No. of units: 16 units Total cable length: 200 m Baud Rate: 115 kbps

- Device address of the same type are set for O/I Link Slave 1 to 15

For the O/I Link Master, enable System Area 1 to 4 (12 words data).

For the O/I Link Slave 1 to 15, enable System Area 1 to 4(12 words data) and 50 words data which are same as each Slaves.

O/I Link Polling Period (LSD101 in the O/I Link Slaves)	220 msec
Read scan of PLC device (LSD6 in the master)	150 msec* <sup>1</sup>

- Device address of different types are set for O/I Link Slave 1 to 15

For the O/I Link Master, enable System Area 1 to 4 (12 words data).

For the O/I Link Slave 1 to 15, enable System Area 1 to 4(12 words data) and 50 words data which are different from each Slaves.

O/I Link Polling Period (LSD101 in the O/I Link Slaves)	250 msec
Read scan of PLC device (LSD6 in the master)	1360 msec



The above measurement results vary depending on the communication driver.

Use the values as a rough guide. Also make sure to evaluate the performance before constructing a system.

\*1 Since the O/I Link Master performs lump communication for the device addresses used redundantly with the O/I Link Slaves, the communication time can be reduced.

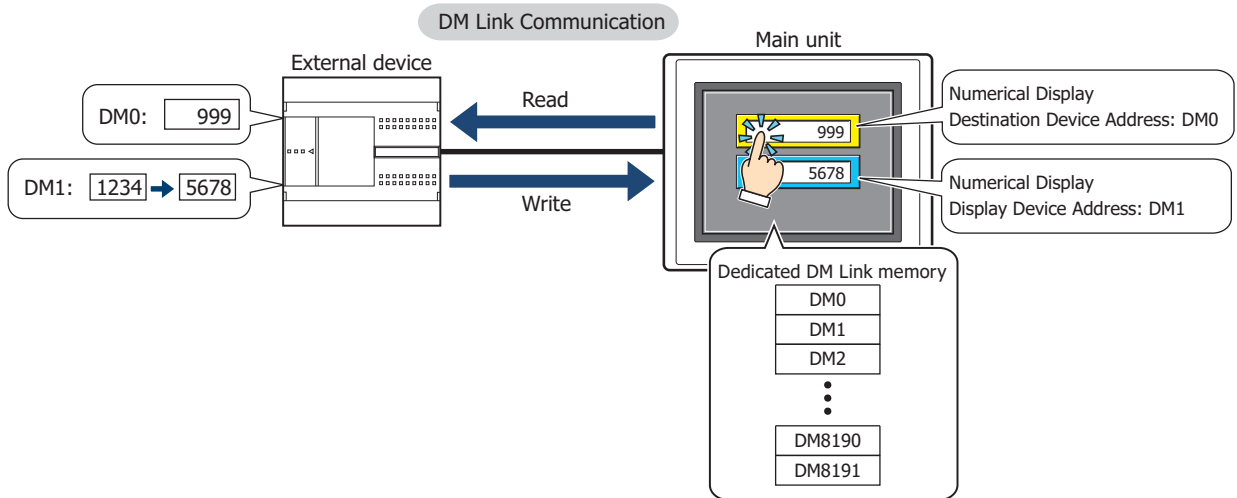




# Chapter 4 DM Link Communication

## 1 Overview

DM Link Communication reads and writes value to external devices using the main unit's dedicated DM Link memory. The device type of dedicated DM Link memory is DM. This method uses a dedicated IDEC protocol, so a communication program is required in the external device.



### 1.1 Communication Methods

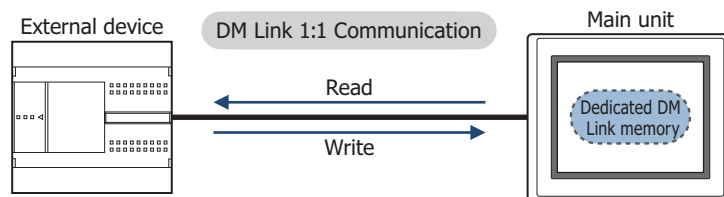
With the DM Link communication, devices such as PLCs, PCs, and board computers (hereafter referred to as external device) read from and write to dedicated DM Link memory (hereafter referred to as data memory) in the main unit. Over the serial interface, when one external device is communicating with one main unit using this communication method it is called DM Link 1:1 communication, and when one external device is communicating with multiple main units, it is called DM Link 1:N communication. When external devices and the main unit are communicating using DM Link communication over the Ethernet interface (UDP protocol), it is called DM Link Ethernet (UDP) communication\*<sup>1</sup>.

Each methods use a special protocol developed by IDEC that does not require the external device to run a communications program.

#### ● DM Link 1:1 Communication

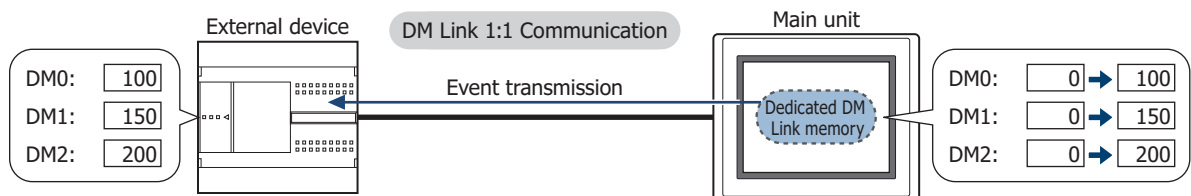
**FT2J FT1J HG2J HG1J HG5G-V HG4G-V HG4G HG3G-V HG3G HG2G-V HG2G-5F HG2G-5T HG1G HG1P**

The external device is connected to a single main unit by using a serial interface.



The Event Transmission function from the main unit can be used with DM Link 1:1 Communication.

The Event Transmission function is a function that works as follows. When value in the dedicated DM Link memory of the main unit is changed, the data is transmitted from the main unit to the external device.

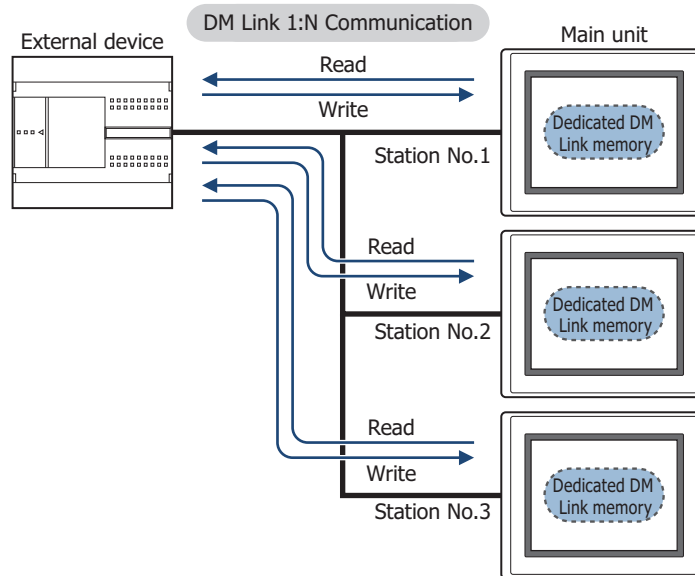


\*1 FT2J/1J, HG2J/1J, HG5G/4G/3G/2G-V, HG4G/3G, HG2G-5F only

● DM Link 1:N Communication

**FT2J FT1J HG2J HG1J HG5G-V HG4G-V HG4G HG3G-V HG3G HG2G-V HG2G-5F HG2G-5T HG1G HG1P**

The external device is connected to multiple main units by using a serial interface.

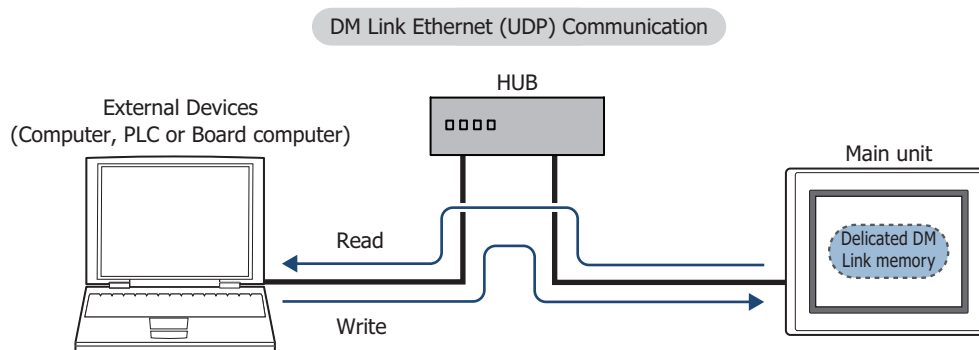


- The Event Transmission function cannot be used with DM Link 1:N Communication.
- RS232C and RS422/485 4-wire can communicate only when there is one main unit.

● DM Link Ethernet (UDP) Communication

**FT2J FT1J HG2J HG1J HG5G-V HG4G-V HG4G HG3G-V HG3G HG2G-V HG2G-5F HG2G-5T HG1G HG1P**

The external device is connected to multiple main units by using the Ethernet interface (UDP protocol).

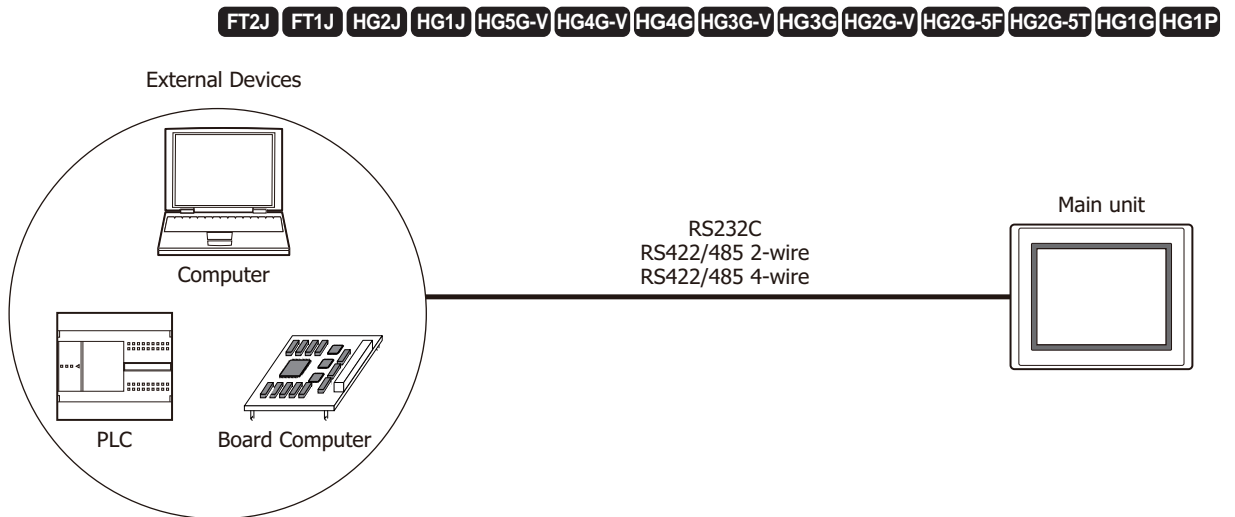


- The Event Transmission function cannot be used with DM Link Ethernet (UDP) communication.
- In DM Link Ethernet (UDP) Communication, when a Response is returned from the main unit to a command source, the Response can also be returned to specified addresses (IP Address, Port Number) at the same time. For details, refer to "5 Data Memory (DM) Allocation" on page 4-11.

## 2 System Configuration

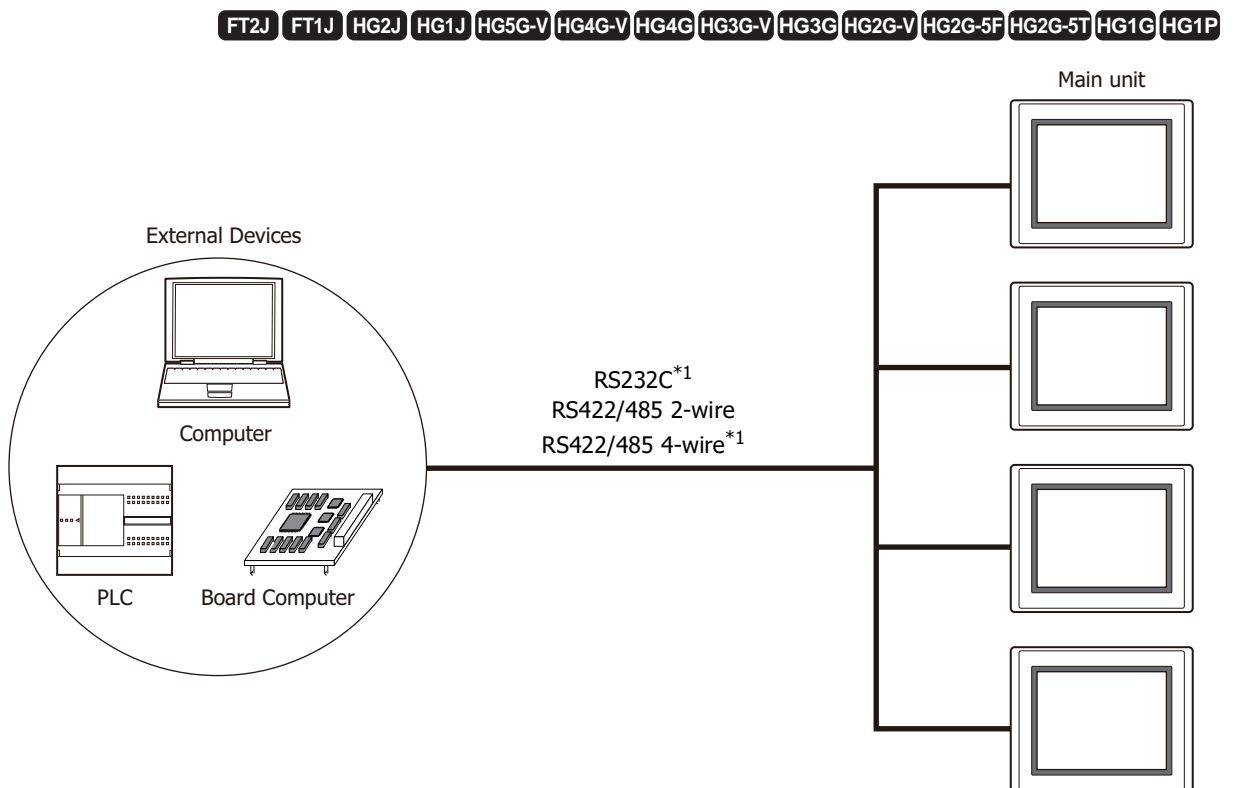
The system configuration for the DM Link communication is shown below.

### 2.1 DM Link 1:1 Communication



When constructing a system using RS422/485, design the circuit so that when the external device receiver input is not connected, the receiver output is in the mark state.

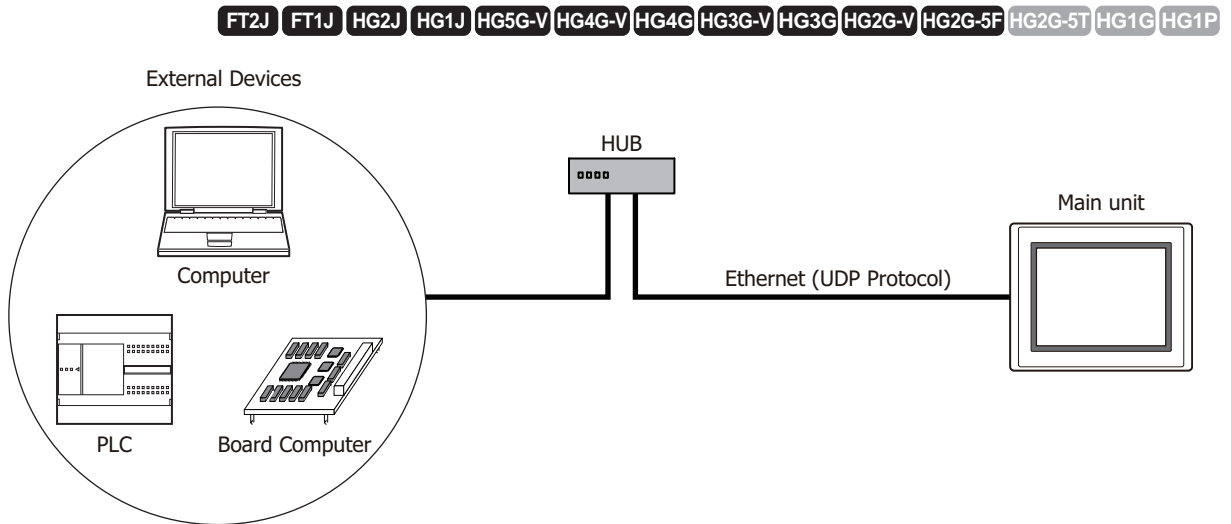
### 2.2 DM Link 1:N Communication



When constructing a system using RS422/485, design the circuit so that when the external device receiver input is not connected, the receiver output is in the mark state.

\*1 Communication is possible when there is only one main unit.

## 2.3 DM Link Ethernet (UDP) Communication



### 3 Connection Diagram

The following is an example of wiring for use with DM Link communication.

#### 3.1 RS232C

FT2J FT1J HG2J HG1J HG5G-V HG4G-V HG4G HG3G-V HG3G HG2G-V HG2G-5F HG2G-5T HG1G HG1P

- Flow Control setting: ER

External Device:  
D-sub 9-pin Male Connector

Name	Pin No.
CD	1
RD	2
SD	3
ER	4
SG	5
DR	6
RS	7
CS	8

FT2J/1J, HG2J/1J, HG5G/4G/3G/2G-V,  
HG4G/3G, HG2G-5F/-5T, HG1G:  
Terminal block

Pin No.	Name
1	SD
2	RD
4	CS
5 or 10*1	SG
3	RS



The pin numbers are for a typical personal computer. Be sure to check the pin arrangement for the external device that you will be using.

External Device:  
D-sub 9-pin Male Connector

Name	Pin No.
CD	1
RD	2
SD	3
ER	4
SG	5
DR	6
RS	7
CS	8

Shield Wire

HG5G/4G/3G/2G-V,  
HG4G/3G, HG2G-5F:  
D-sub 9-pin Male Connector

Pin No.	Name
Cover	FG
3	SD
2	RD
8	CS
5	SG
7	RS

\*1 FT1J, HG1J only

● Flow Control setting: None

External Device:  
D-sub 9-pin Male Connector

Name	Pin No.
CD	1
RD	2
SD	3
ER	4
SG	5
DR	6
RS	7
CS	8

FT2J/1J, HG2J/1J, HG5G/4G/3G/2G-V,  
HG4G/3G, HG2G-5F/-5T, HG1G:  
Terminal block

Pin No.	Name
1	SD
2	RD
3	RS
4	CS
5 or 10*1	SG



The pin numbers are for a typical personal computer. Be sure to check the pin arrangement for the external device that you will be using.

External Device:  
D-sub 9-pin Male Connector

Name	Pin No.
CD	1
RD	2
SD	3
ER	4
SG	5
DR	6
RS	7
CS	8

Shield Wire

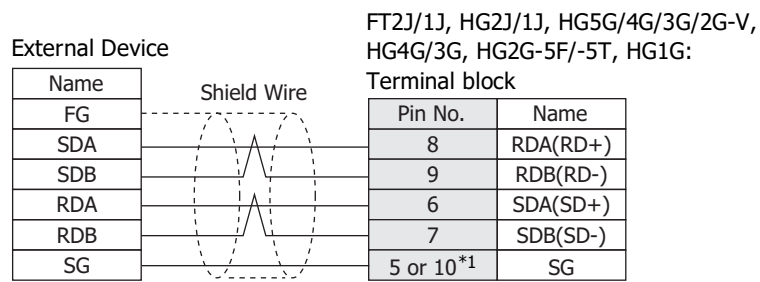
HG5G/4G/3G/2G-V,  
HG4G/3G, HG2G-5F:  
D-sub 9-pin Male Connector

Pin No.	Name
Cover	FG
3	SD
2	RD
7	RS
8	CS
5	SG

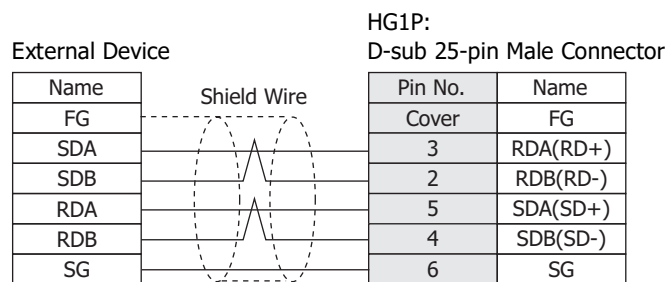
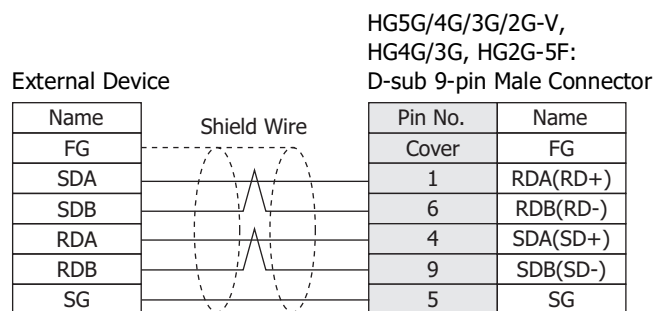
\*1 FT1J, HG1J only

## 3.2 RS422/485

### ● 4-wire

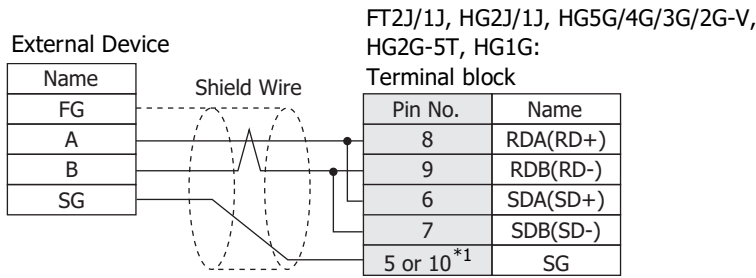


Insert a terminating resistor, if necessary. For the setting method, refer to Chapter 1 "3 Important Points Regarding Wiring" on page 1-4.

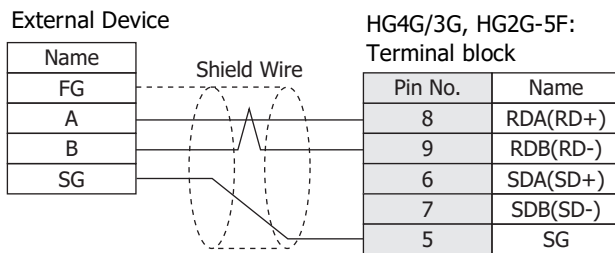


\*1 FT1J, HG1J only

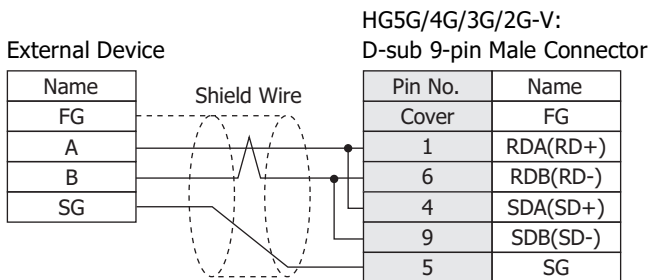
● 2-wire



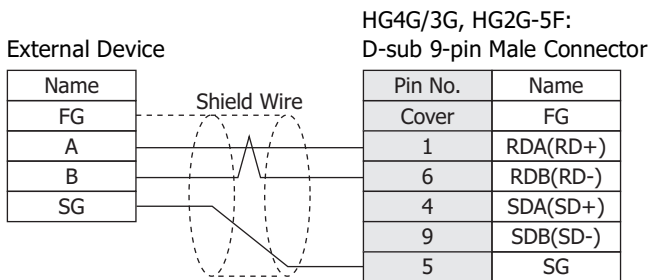
Insert a terminating resistor, if necessary. For the setting method, refer to Chapter 1 "3 Important Points Regarding Wiring" on page 1-4.



Insert a terminating resistor, if necessary. For the setting method, refer to Chapter 1 "3 Important Points Regarding Wiring" on page 1-4.



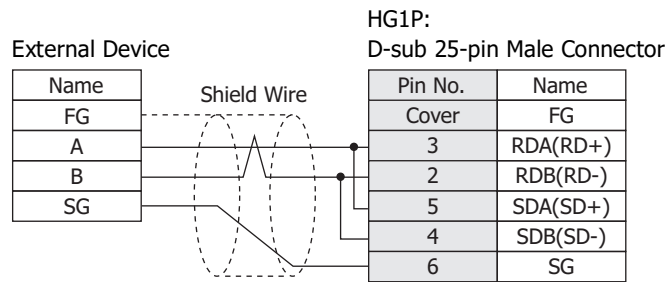
When connecting COM1 on the HG5G/4G/3G/2G-V to the external device, do not insert terminating resistor to the external device.



When connecting COM1 on the HG4G/3G, HG2G-5F to the external device, do not insert terminating resistor to the external device.

\*1 FT1J, HG1J only



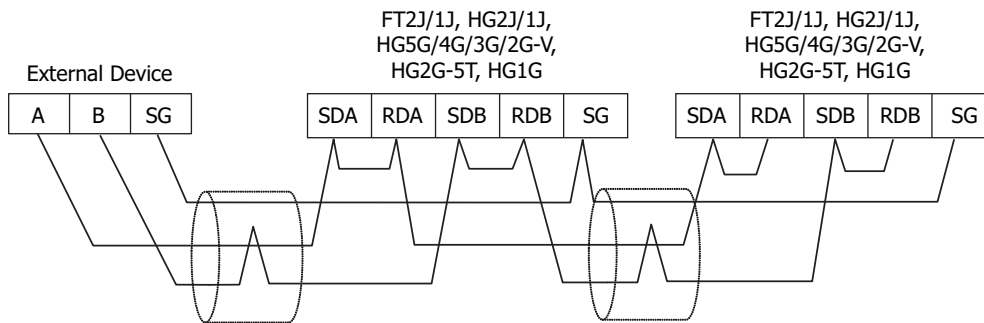


● RS422/485 2-wire (DM Link 1:N Communication: N=2)

In the following diagram, only describe the terminal name.

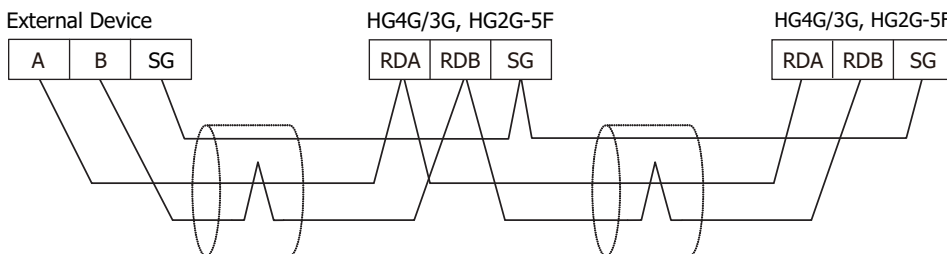
Refer to "2-wire" on page 4-8 for the correspondence between the terminal name and the pin number.

FT2J/1J, HG2J/1J, HG5G/4G/3G/2G-V, HG2G-5T, HG1G



If more than one main unit is connected to an external device, select **RS422/485 2-wire** from **Serial Interface** under **Interface Settings**.

HG4G/3G, HG2G-5F



If more than one main unit is connected to an external device, select **RS422/485 2-wire** from **Serial Interface** under **Interface Settings**.

## 4 Communication Specifications

### 4.1 Communication Method

The communication method varies based on the serial interface selected.

- DM Link 1:1 Communication

FT2J FT1J HG2J HG1J HG5G-V HG4G-V HG4G HG3G-V HG3G HG2G-V HG2G-5F HG2G-5T HG1G HG1P

Interface	Communication Method
RS232C	Full Duplex
RS422/485 2-wire	Half Duplex
RS422/485 4-wire	Full Duplex

- DM Link 1:N Communication

FT2J FT1J HG2J HG1J HG5G-V HG4G-V HG4G HG3G-V HG3G HG2G-V HG2G-5F HG2G-5T HG1G HG1P

Interface	Communication Method
RS232C	Half Duplex
RS422/485 2-wire	
RS422/485 4-wire	

- DM Link Ethernet (UDP) Communication

FT2J FT1J HG2J HG1J HG5G-V HG4G-V HG4G HG3G-V HG3G HG2G-V HG2G-5F HG2G-5T HG1G HG1P

Interface	Protocol
Ethernet	UDP/IP

### 4.2 Communication Conditions

- DM Link 1:1 Communication, DM Link 1:N Communication

Item	Setting
Synchronization	Asynchronous
Baud Rate	115200, 57600, 38400, 19200, 9600, 4800, 2400 or 1200 bps
Data Bits	7 or 8
Stop Bits	1 or 2
Parity	None, Odd or Even

### 4.3 Flow control

The following choices are available for the flow control method.

- DM Link 1:1 Communication, DM Link 1:N Communication

Interface	Flow Control
RS232C	None or ER
RS422/485 2-wire	None
RS422/485 4-wire	

## 5 Data Memory (DM) Allocation

In DM Link 1:1 Communication or DM Link 1:N Communication, DM0 to DM13 and DM16 to DM16383<sup>\*1</sup> or DM8191<sup>\*2</sup> can be freely used as the User Area.

In DM Link Ethernet (UDP) Communication<sup>\*3</sup>, DM0 to DM13 and DM17 to DM16383<sup>\*1</sup> or DM8191<sup>\*2</sup> can be freely used as the User Area. When DM14 is 0, DM16 can be used as the User Area.

In DM Link 1:1 Communication, the Event transmission control area can be allocated to DM14 and DM15. However, the Event transmission is not supported with DM Link 1:N Communication and DM Link Ethernet (UDP) Communication<sup>\*3</sup>.

For DM Link Ethernet (UDP) Communication<sup>\*3</sup>, the address settings control area for the Response can be allocated to DM14 and DM16. When DM14 is 0, DM16 can be used as the User Area. Use this when returning a Response to arbitrary addresses (IP Address, Port Number) at the same time as the Response to the command source.

Data Memory	Description		
	DM Link1:1 Communication	DM Link 1:N Communication	DM Link Ethernet (UDP) Communication <sup>*3</sup>
DM0 to 11	User Area (Event Transmission can be available)	User Area	User Area
DM12, 13	User Area (Event Transmission is not available)		
DM14	D0 to D11 Event Transmission enable/disable setting 0: Disable output setting 1: Enable output setting	Reserved	Response address settings enable setting 0: Disable address settings 2: Enable address settings
DM15	Event area start address setting	Reserved	Reserved
DM16	User Area	User Area	Start address of the Response address settings area (Just after the main unit is powered up, the value is 0.)
DM17 to DM16383 <sup>*1</sup> DM17 to DM8191 <sup>*2</sup>			User Area



Do not write to the reserved area.

### 5.1 System Area

**FT2J FT1J HG2J HG1J HG5G-V HG4G-V HG4G HG3G-V HG3G HG2G-V HG2G-5F HG2G-5T HG1G HG1P**

When allocating the system area to DM, in order to avoid interference with the Event transmission control area and the Response address settings control area in DM14 and DM15, set the start address of the system area in DM Link 1:1 Communication and DM Link 1:N Communication to DM0 or DM16 or higher, and set the start address of the system area in DM Link Ethernet (UDP) Communication<sup>\*3</sup> to DM0 or DM17 or higher. For further details regarding the system area, refer to the WindO/I-NV4 User's Manual.

\*1 FT2J/1J, HG2J/1J, HG5G/4G/3G/2G-V only

\*2 HG4G/3G, HG2G-5F/-5T, HG1G/1P only

\*3 FT2J/1J, HG2J/1J, HG5G/4G/3G/2G-V, HG4G/3G, HG2G-5F only

## 5.2 Event transmission control area

FT2J FT1J HG2J HG1J HG5G-V HG4G-V HG4G HG3G-V HG3G HG2G-V HG2G-5F HG2G-5T HG1G HG1P

This function only supports DM Link 1:1 Communication.

### ● DM0 to DM11 Event Transmission (DM14)

You can set whether or not DM0 to DM11 are to perform event transmission. When the value in DM14 is 1, system area event transmission is performed, and when it is 0, it is not performed. After power up the value in DM14 is set to 0. Use this in the case that DM0 to DM11 is specified as the system area.

### ● Event Area Setting (DM15)

Specify the start address for the event area in DM15. The area after the specified address is then allowed to be used for event data transmission. For example, if the value 256 is written to DM15, the area from DM256 to DM16383<sup>\*1</sup> or DM8191<sup>\*2</sup> becomes the event area, and if the data in this area changes an event data transmission is performed. After power up, the value in DM15 is 512.

Event data transmission is not performed in the following cases:

- When a value equal to or larger than 16384<sup>\*1</sup> or 8192<sup>\*2</sup> is written to DM15.
- When the serial interface is RS422/485 2-wire.
- When data in the event area is modified by a write command from the external device.

## 5.3 Response address settings control area

FT2J FT1J HG2J HG1J HG5G-V HG4G-V HG4G HG3G-V HG3G HG2G-V HG2G-5F HG2G-5T HG1G HG1P

This function only supports DM Link Ethernet (UDP) Communication.

### ● Response address settings area Settings

"Response address settings enable setting" is allocated to DM14.

The function of DM16 depends on the value of DM14. When the value of DM14 is 0, DM16 can be used as the User Area. When the value of DM14 is 2, "Start address of the Response address settings area" is allocated to DM16.

\*1 FT2J/1J, HG2J/1J, HG5G/4G/3G/2G-V only

\*2 HG4G/3G, HG2G-5F/-5T, HG1G/1P only

- Response address settings area (The value of DM14 is 2)

Set the number of address settings and the addresses in the Response address settings area. The maximum number of addresses is 4.

When the value of DM16 is  $n$ , the address settings area is allocated as shown in the following table.

Data Memory	Description
DM $n$	Number of address settings (0 to 4)
DM $n+1$	Address 1: IP Address
DM $n+2$	
DM $n+3$	
DM $n+4$	
DM $n+5$	Address 1: Port Number
DM $n+6$	Address 2: IP Address
DM $n+7$	
DM $n+8$	
DM $n+9$	
DM $n+10$	Address 2: Port Number
DM $n+11$	Address 3: IP Address
DM $n+12$	
DM $n+13$	
DM $n+14$	
DM $n+15$	Address 3: Port Number
DM $n+16$	Address 4: IP Address
DM $n+17$	
DM $n+18$	
DM $n+19$	
DM $n+20$	Address 4: Port Number

Example

To return a Response from the main unit to the following two devices that are not the command source. (Start address of the Response address settings area is 512.)

- External Device 1  
IP Address: 192.168.0.1, Port Number: 50001
- External Device 2  
IP Address: 192.168.0.2, Port Number: 50002

Data Memory	Description	Setting
...		
DM14	Response address settings enable setting	2
...		
DM16	Start address of the Response address settings area	512
...		
DM512	Number of address settings	2
DM513	Address 1: IP Address	192
DM514		168
DM515		0
DM516		1
DM517	Address 1: Port Number	50001
DM518	Address 2: IP Address	192
DM519		168
DM520		0
DM521		2
DM522	Address 2: Port Number	50002

If the number of address settings is 0, the Response is returned to the command source IP address and port number.

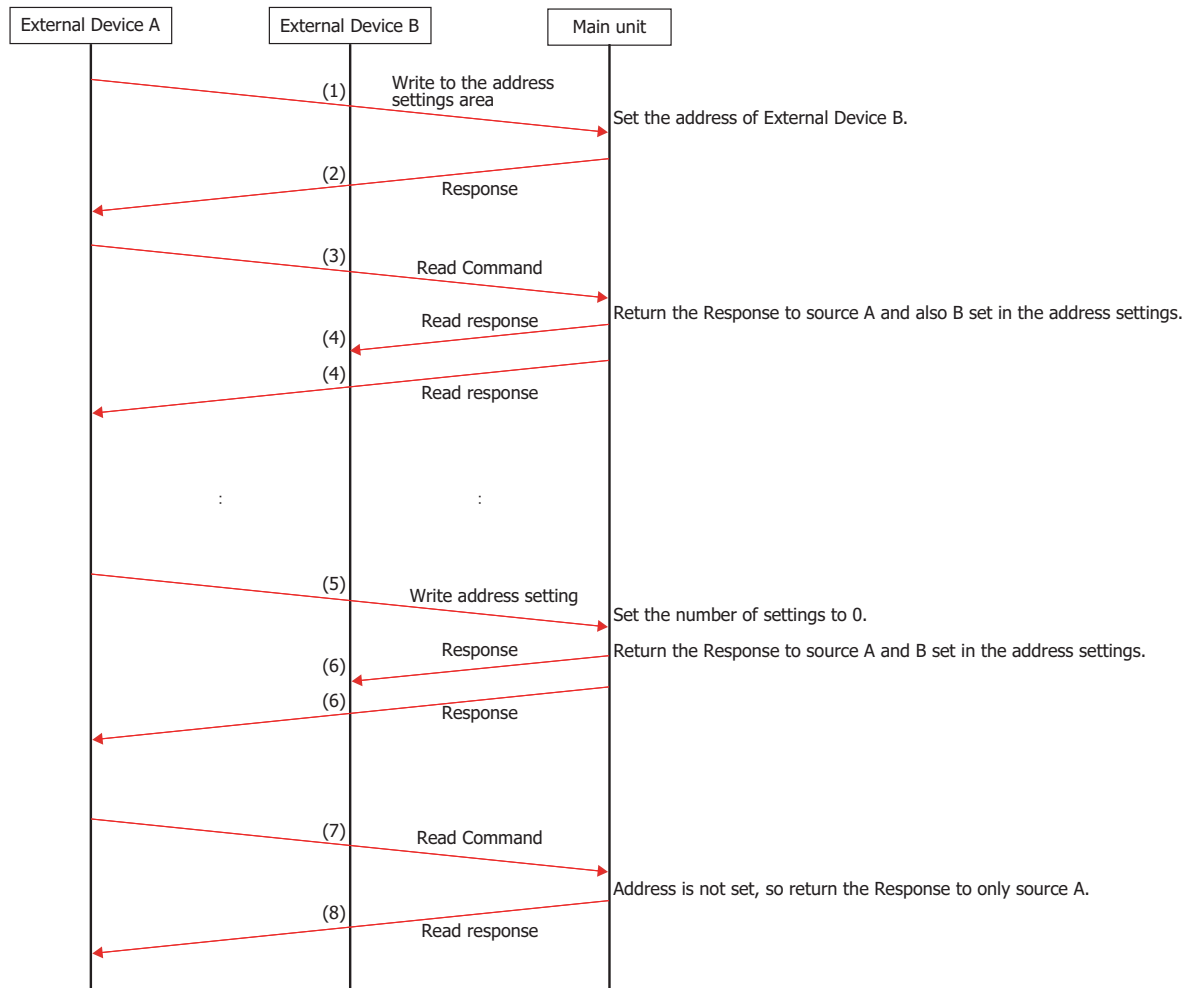
If the number of address settings is 4, the Response is returned to the source address and the Address 1 to 4.

If a numeric value other than (0 to 255) is set in each DM Address that stores the IP Address, it will be considered an invalid address and the Response will not be sent to the set addresses.

The command format to read from and write to DM0 to DM16 and to the address settings area is the same as the commands to read from and write to the normal DM areas.

## ● Communication timing

The communication timing to change a Response address setting is shown in the following diagram.



- (1) Send address settings write command from External Device A to the main unit.  
Settings content: Set the IP Address and Port Number of External Device B.
- (2) Send a Response for the address settings write command.
- (3) Send a Read Command from External Device A to the main unit.
- (4) Send a Response from the main unit to External Device A and External Device B (source and address settings destination).
- (5) Send address settings write command from External Device A to the main unit.  
Settings content: Set the number of settings to 0.
- (6) Send a Response for the address settings write command (source and address settings destination).
- (7) Send a Read Command from External Device A to the main unit.
- (8) Send a Response from the main unit to External Device A (source).

## 6 Settings

The settings required in WindO/I-NV4 for the using the DM Link communication are located in the Configuration - System Setup - Project dialog box. For details, refer to the WindO/I-NV4 User's Manual. Set the items in the following table in accordance with the external device that you will be using.

### 6.1 DM Link 1:1 Communication, DM Link 1:N Communication

FT2J FT1J HG2J HG1J HG5G-V HG4G-V HG4G HG3G-V HG3G HG2G-V HG2G-5F HG2G-5T HG1G HG1P

#### Project Settings Dialog Box

Tab Name	Setting Name	Description
System	Start Time (sec)	Set this to 0.
	Use System Area	Select this if you want to use the system area.
	Device Address	Specify the system area start Device address.
	Use System Areas 3, 4	Select this if you want to use the system areas 3 and 4.
	Watch Dog	If you select Watch Dog, set the Write Device and the Time (write interval). If you will transmit from the main unit to the external device, set a write device for the event output area.
	Device Address	
	Time (sec)	
Communication Interface	Function	Select the Function to be used. The details of <b>External Device Communication 1 to External Device Communication 4</b> are configured on the Communication Driver tab.
	Baud Rate	Select the same setting used for the external device. 115200, 57600, 38400, 19200, 9600, 4800, 2400 or 1200 bps
	Data Bits	Select the same setting used for the external device. 7 or 8
	Stop Bits	Select the same setting used for the external device 1 or 2
	Parity	Select the same setting used for the external device. None, Odd or Even
	Flow Control	Select either None or ER.
	Serial Interface	Select the serial interface that you will be using. RS232C, RS422/485 2-wire or RS422/485 4-wire



Tab Name	Setting Name	Description
Communication Driver	Manufacturer	Select <b>IDEC System</b> .
	Communication Driver	Select <b>DM Link (1:1)</b> for DM Link 1:1 Communication or <b>DM LINK (1:N)</b> for DM Link 1:N Communication.
	Transmission Wait (x10 msec)	Set the time after which the main unit sends a response command to the external device after receiving a command from the external device. The actual time until the response is sent is greater than the Transmission wait time and less than the Transmission wait time +10msec.
	Time Out (x100 msec)	This setting is not required.
	Retry Cycles	
	DM LINK No. *1	Set the DM Link station number.
	Max Event Transmission Words *2	Set the max number of words for event transmission.
	Protocol *2	Select the number of protocol format. 0: Basic protocol format 1: Type 1 (Add an error code and "CR" to "ACK", "NAK" in Basic protocol format.) 2: Type 2 (follows the Basic protocol format, but ETX cannot be added when the BCC check is appended)
With BCC	Select the checkbox if you want to perform BCC checking.	

\*1 DM Link (1:N) only

\*2 DM Link (1:1) only

## 6.2 DM Link Ethernet (UDP) Communication

FT2J FT1J HG2J HG1J HG5G-V HG4G-V HG4G HG3G-V HG3G HG2G-V HG2G-5F HG2G-5T HG1G HG1P

### Project Settings Dialog Box

Tab Name	Setting Name	Description
System	Start Time (sec)	Set this to 0.
	Use System Area	Select this if you want to use the system area.
	Device Address	Specify the system area start Device address.
	Use System Areas 3, 4	Select this if you want to use the system areas 3 and 4.
	Watch Dog	If you select Watch Dog, set the Write Device and the Time (write interval).
	Device Address	
	Time (sec)	
Communication Interface	Function	Select one of <b>External Device Communication 1</b> to <b>External Device Communication 4</b> as the interface to be used.
	IP Address	Set the IP address for the main unit.
	Subnet Mask	Set the subnet mask for the main unit.
	Default Gateway	Set the default gateway for the main unit.
Communication Driver	Manufacturer	Select IDEC HG System.
	Communication Driver	Select DM Link Ethernet(UDP) Communication.
	Transmission Wait (x10 msec)	Set the time after which the main unit sends a response command to the external device after receiving a command from the external device. The actual time until the response is sent is greater than the Transmission wait time and less than the Transmission wait time +10msec.
	Retry Cycles	This setting is not required.
	Time Out (x100 msec)	
Communication Driver Extension Settings	Port Number	Select the UDP port number used for the communication.
	Reserved	This setting is not required.



Duplicate UDP port numbers of the main unit cannot be configured in the following functions.

- **UDP** is selected for the User Communication (☞ refer to Chapter 4 "Communication Interface Tab" in the WindO/I-NV4 User's Manual)
- **OMRON** as **Manufacture** and **SYSMAC CS1/CJ series(Ethernet)** as **Communication Driver** are selected on the Communication Driver tab (☞ refer to Chapter 2 "SYSMAC CS1/CJ series (Ethernet Communication Unit) Settings" on page 2-87)
- **IDEC System** as **Manufacture** and **DM LINK Ethernet(UDP)** as **Communication Driver** are selected on the Communication Driver tab

## 7 DM Link 1:1 Communication Format

FT2J FT1J HG2J HG1J HG5G-V HG4G-V HG4G HG3G-V HG3G HG2G-V HG2G-5F HG2G-5T HG1G HG1P

With DM Link 1:1 Communication, the following communication format is used.

### ■ Command (Response)

Read  
Write  
Transmission Control  
Clear

### ■ Event

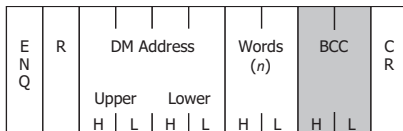
Event Transmission

## 7.1 Read

This command is used by the external device to read the main unit data memory. One command can read a maximum of 255 words of data.

### ● Command

#### Format

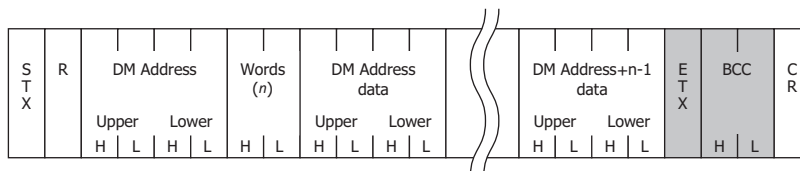


#### Description

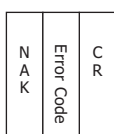
Command	Code	Description	Bytes
ENQ	05h	Command start	1
R	52h	Read Command	1
DM Address		Starting DM address for read. The hexadecimal value expressed using ASCII code.	4
Words		Number of words to read The hexadecimal value expressed using ASCII code.	2
BCC		Only required when <b>With BCC</b> is selected. Exclusive OR (Hexadecimal) from ENQ to before BCC converted to ASCII code.	2
CR	0Dh	End	1

### ● Response

#### Format: Normal response



#### Format: Error response



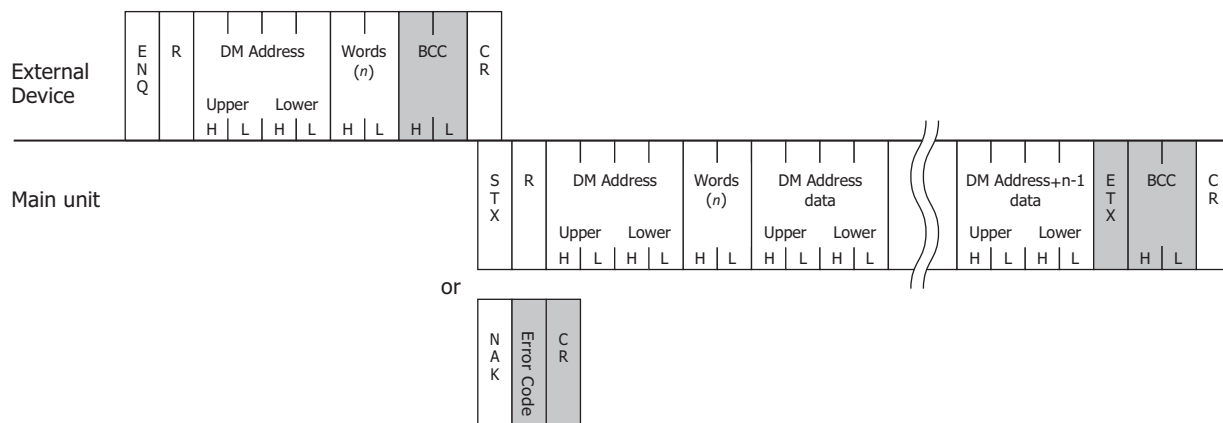
Description: Normal response

Command	Code	Description	Bytes
STX	02h	Response start	1
R	52h	Read response	1
DM address		Starting DM address for read. The hexadecimal value expressed using ASCII code.	4
Words		Number of words to read The hexadecimal value expressed using ASCII code.	2
Data		DM address data The hexadecimal value expressed using ASCII code. The words are in order from the lowest address.	4 x <i>n</i> <i>n</i> is the number of words
ETX	03h	Only required when <b>With BCC</b> is selected. (However, this is not added when Type 2 is selected for the Protocol.) At the end of the response data.	1
BCC		Only required when <b>With BCC</b> is selected. Exclusive OR (Hexadecimal) from ENQ to before BCC converted to ASCII code.	2
CR	0Dh	End	1

Description: Error response

Command	Code	Description	Bytes
NAK	15h	Command was not received correctly.	1
Error Code		Only Protocol format 1. (Refer to "11 Error Codes" on page 4-38.)	1
CR	0Dh	Only Protocol format 1. End	1

● Read Sequence

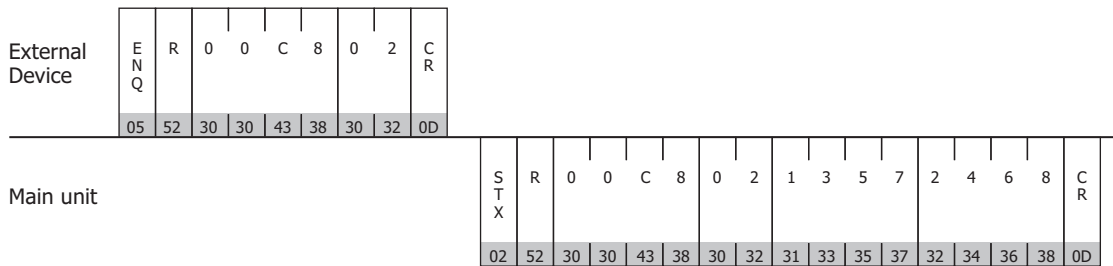


Do not transmit the following command until the external device receives the response of a command which transmitted to the display machine or serves as a timeout.

## ● Read Communication Example

To read the two words of data in DM200 and DM201 (without BCC, Basic protocol format)

If the data in DM200 is 1357h, and the data in DM201 is 2468h the sequence is as follows.



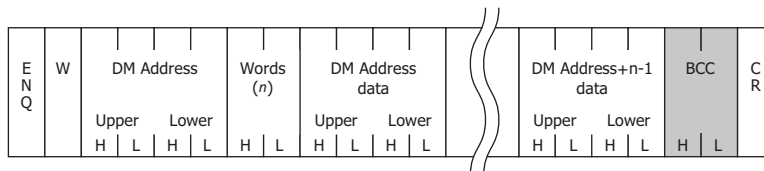
The shaded part of the command is ASCII code.

## 7.2 Write

This command is used by the external device to write data to the main unit data memory. One command can write a maximum of 255 words of data.

### ● Command

Format

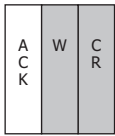


Description

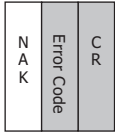
Command	Code	Description	Bytes
ENQ	05h	Command start	1
W	57h	Write Command	1
DM Address		DM address to begin writing from The hexadecimal value expressed using ASCII code.	4
Words		Number of words to write The hexadecimal value expressed using ASCII code.	2
Data		DM ADDRESS DATA. The hexadecimal value expressed using ASCII code. The words are in order from the lowest address.	4 x n n is the number of words
BCC		Only required when 'with BCC' is set. Exclusive OR (Hexadecimal) from ENQ to before BCC converted to ASCII code.	2
CR	0Dh	End	1

● Response

Format: Normal response



Format: Error response



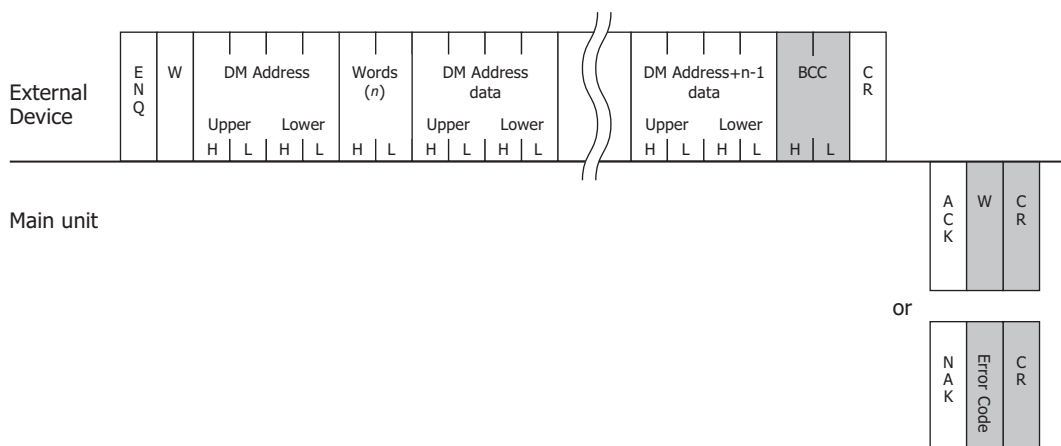
Description: Normal response

Command	Code	Description	Bytes
ACK	06h	Write completed normally.	1
W	57h	Only required when Protocol format 1 is set. Write response.	1
CR	0Dh	Only required when Protocol format 1 is set. End	1

Description: Error response

Command	Code	Description	Bytes
NAK	15h	Command was not received correctly.	1
Error Code		Only required when Protocol format 1 is set. (Refer to "11 Error Codes" on page 4-38.)	1
CR	0Dh	Only required when Protocol format 1 is set. End	1

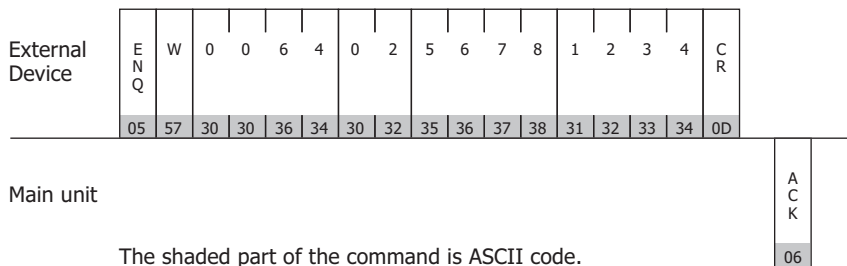
● Write Sequence



Do not transmit the following command until the external device receives the response of a command which transmitted to the display machine or serves as a timeout.

### ● Write Communication Example

Write 5678h to DM100 and 1234h to DM101 (without BCC, Basic protocol format)



## 7.3 Transmission Control

The external device command controls the transmission from the main unit. The commands are Transmission Prohibited and Transmission Allowed. The Transmission Control commands are the same as the general X-ON and X-OFF commands. Therefore, you can use DM Link 1:1 Communication with an external device that can perform X-ON and X-OFF control without making any settings.

### ● Stop Transmission Command

#### Format



#### Description

Command	Code	Description	Bytes
DC3	13h	Stop Transmission	1



- After the main unit receives the DC3 command it sends up to a maximum of 15 bytes of data and then transmission is stopped.
- While transmission is stopped the main unit can store up to 1023 bytes of transmission data. If event outputs occur that would cause this number to be exceeded, the main unit stops operating until the data is output.
- There is no response to the Transmission Prohibited command.

● Transmission Allowed Command

Format



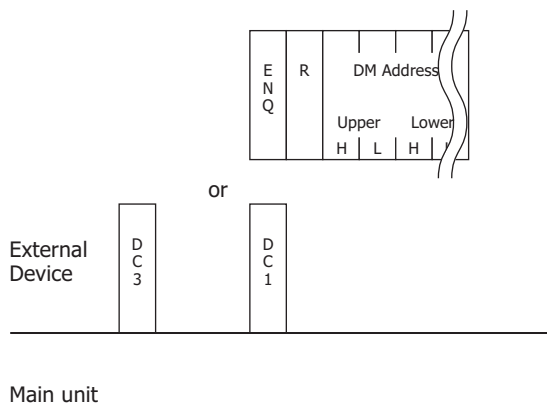
Description

Command	Code	Description	Bytes
DC1	11h	Transmission Allowed	1



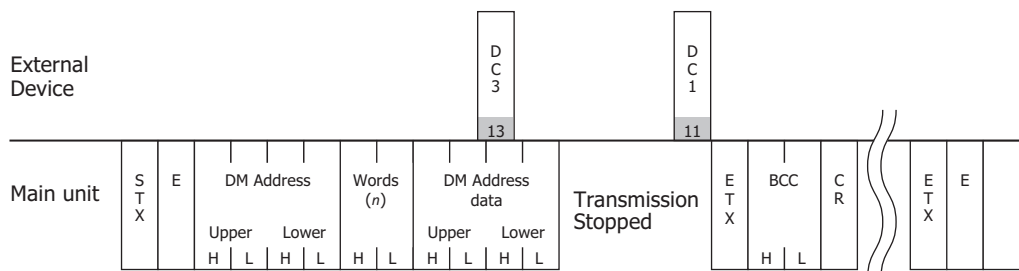
- After the main unit receives DC1, it sends out all event data transmissions that were generated while transmission was stopped.
- There is no response to the Transmission Allowed command.
- When the enquiry character ENQ (0x05) is received, the main unit also enters the Transmission Allowed state.
- After receiving ENQ, the main unit sends out all event data transmissions generated while transmission was stopped.
- After receiving ENQ, the main unit receive buffer is cleared.

● Transmission Control Sequence

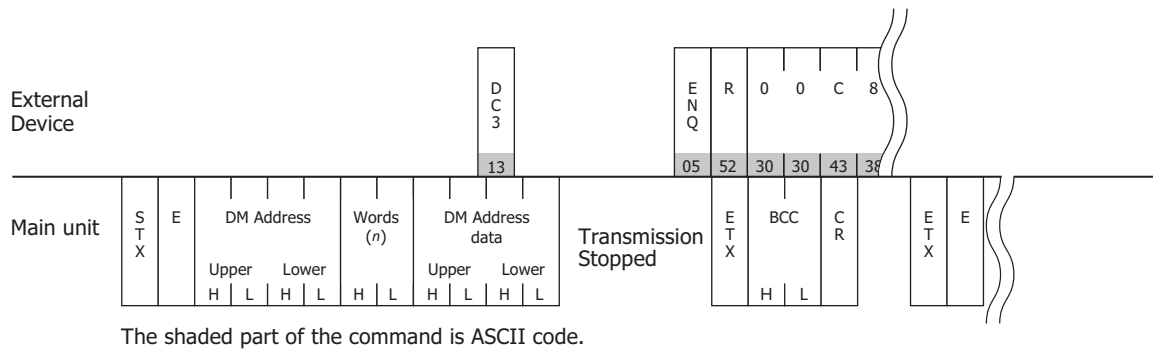


● Transmission Control Communication Example

Example 1: Transmission stopped by DC3 and started by DC1





Example 2: Transmission stopped by DC3 and started by ENQ

The shaded part of the command is ASCII code.

## 7.4 Clear

This external device command clears the main unit receive buffer.

### ● Command

#### Format



#### Description

Command	Code	Description	Bytes
EOT	04h	Clear the receive buffer	1



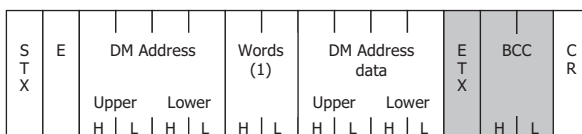
When the main unit receives the EOT command, all data received prior to receiving it is cleared.

## 7.5 Event Transmission

This is used to perform Event Transmission when a value in the main unit data memory is changed

### ● Command

#### Format



Description

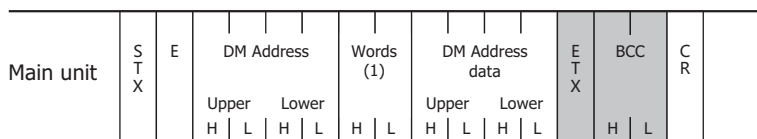
Command	Code	Description	Bytes
STX	02h	Command start	1
E	45h	Event Transmission command	1
DM Address		Event Transmission address. The hexadecimal value expressed using ASCII code.	4
Words		Event Transmission words. The hexadecimal value expressed using ASCII code.	2
Data		DM Address data. The hexadecimal value expressed using ASCII code.	4
ETX	03h	Only required when <b>with BCC</b> is set. (However, this is not added when Type 2 is selected for Protocol.) Command end of the event transmission data.	1
BCC		Only required when <b>with BCC</b> is set. Exclusive OR (Hexadecimal) from ENQ to before BCC converted to ASCII code.	2
CR	0Dh	End	1



- The Max Event Transmission Words setting is set from 0 to 255.
- Number of Event Transmission words should not be larger than the number of Max Event Transmission Words. When the Max Event Transmission Words is 0, then Event Transmission words is set to 1.

● Event Data Transmission Sequence

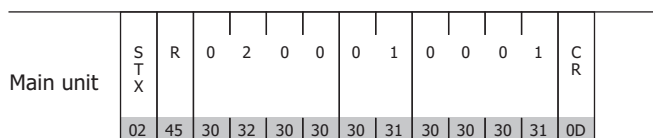
External Device



● Event Data Transmission Communication Example

Example 1: Write 1 to DM512 (without BCC)

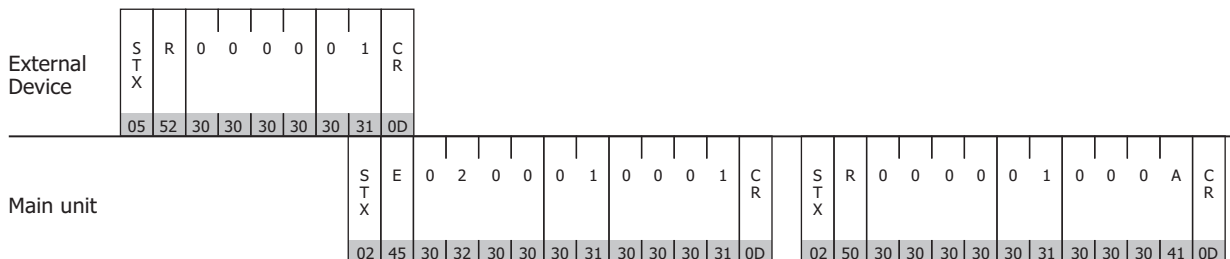
External Device



The shaded part of the command is ASCII code.

Example 2: When the above example occurred in the middle of a read (without BCC)

External Device



The shaded part of the command is ASCII code.

## 8 DM Link 1:N Communication Format

FT2J FT1J HG2J HG1J HG5G-V HG4G-V HG4G HG3G-V HG3G HG2G-V HG2G-5F HG2G-5T HG1G HG1P

The communication format with DM Link 1:N Communication is as follows.

### ■ Command (Response)

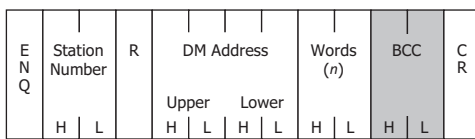
Read  
Write  
Clear

### 8.1 Read

The Read command is used by the external device to read the main unit data memory. One command can read a maximum of 255 words of data.

### ● Command

#### Format

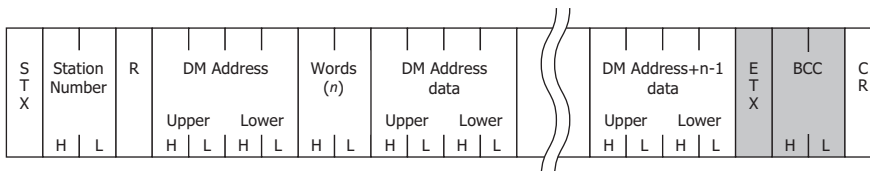


#### Description

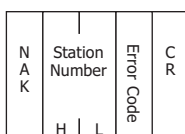
Command	Code	Description	Bytes
ENQ	05h	Command Start	1
Station Number		DM Link Station Number expressed in ASCII.	2
R	52h	Read Command	1
DM address		DM address to start reading from The hexadecimal value expressed using ASCII code.	4
Words		Number of words to read The hexadecimal value expressed using ASCII code.	2
BCC		Only required when 'with BCC' is set. Exclusive OR (Hexadecimal) from ENQ to before BCC converted to ASCII code.	2
CR	0Dh	End	1

### ● Response

#### Format: Normal response



#### Format: Error response



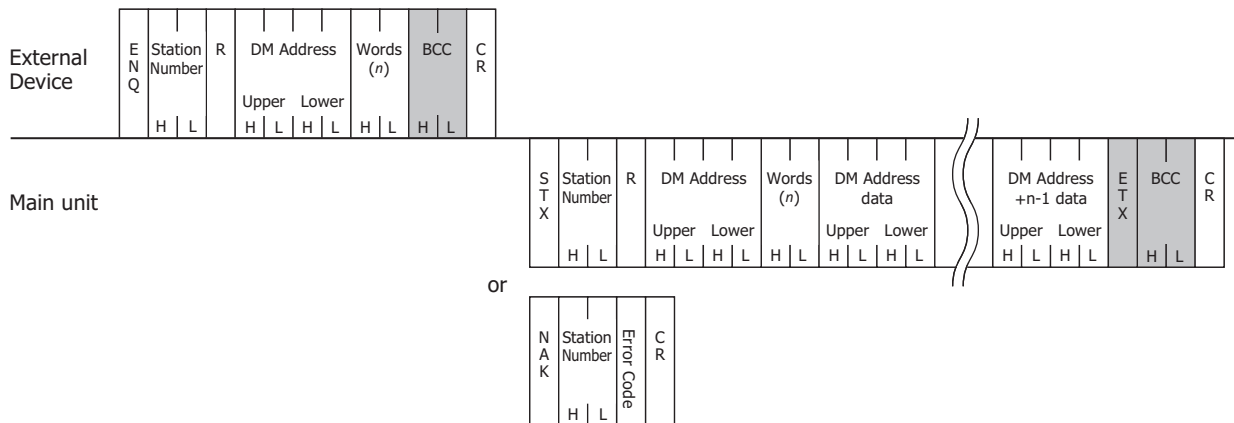
Description: Normal response

Command	Code	Description	Bytes
STX	02h	Response start	1
Station Number		DM Link Station Number expressed in ASCII.	2
R	52h	Read response	1
DM address		DM address to start reading from The hexadecimal value expressed using ASCII code.	4
Words		Number of words to read The hexadecimal value expressed using ASCII code.	2
Data		DM Address Data The hexadecimal value expressed using ASCII code. The words are in order from the lowest address.	4 x <i>n</i> <i>n</i> is the number of words
ETX	03h	Only added when 'with BCC' is set. End of the response data.	1
BCC		Only added when 'with BCC' is set. Exclusive OR (Hexadecimal) from ENQ to before BCC converted to ASCII code.	2
CR	0Dh	End	1

Description: Error response

Command	Code	Description	Bytes
NAK	15h	Command was not received correctly.	1
Station Number		DM Link Station Number expressed in ASCII.	2
Error Code		Refer to "11 Error Codes" on page 4-38.	1
CR	0Dh	End	1

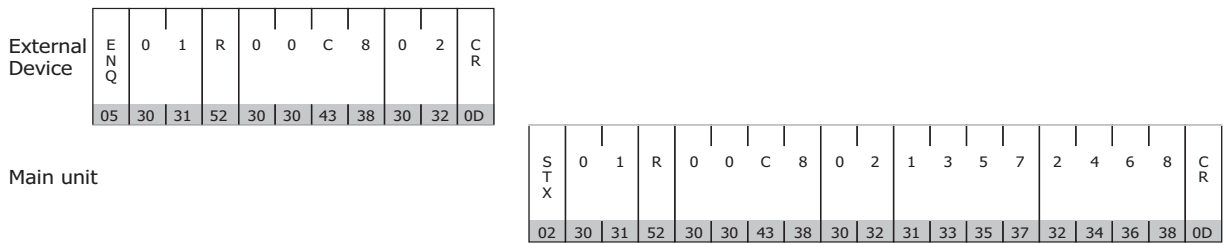
● Read Sequence



Do not transmit the following command until the external device receives the response of a command which transmitted to the display machine or serves as a timeout.

### ● Read Communication Example

Read the two words of data from DM200 and DM201 of DM Link Station Number 1 (without BCC)  
If the data in DM200 is 1357h, and the data in DM201 is 2468h the sequence is as follows.



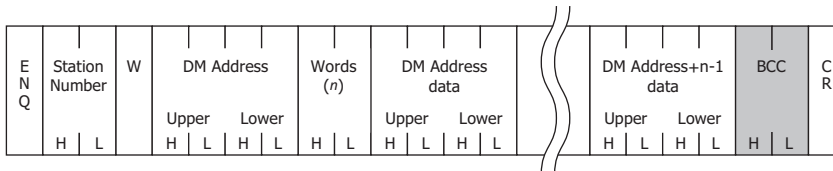
The shaded part of the command is ASCII code.

## 8.2 Write

This command is used by the external device to write data to the main unit data memory.  
One command can write a maximum of 255 words of data.

### ● Command

#### Format

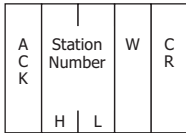


#### Description

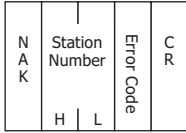
Command	Code	Description	Bytes
ENQ	05h	Command Start	1
Station Number		DM Link Station Number expressed in ASCII.	2
W	57h	Write Command	1
DM Address		DM address to start writing from The hexadecimal value expressed using ASCII code.	4
Words		Number of words to write The hexadecimal value expressed using ASCII code.	2
Data		DM Address Data The hexadecimal value expressed using ASCII code. The words are in order from the lowest address.	4 x n <i>n</i> is the number of words
BCC		Only added when 'with BCC' is set. Exclusive OR (Hexadecimal) from ENQ to before BCC converted to ASCII code.	2
CR	0Dh	End	1

● Response

Format: Normal response



Format: Error response



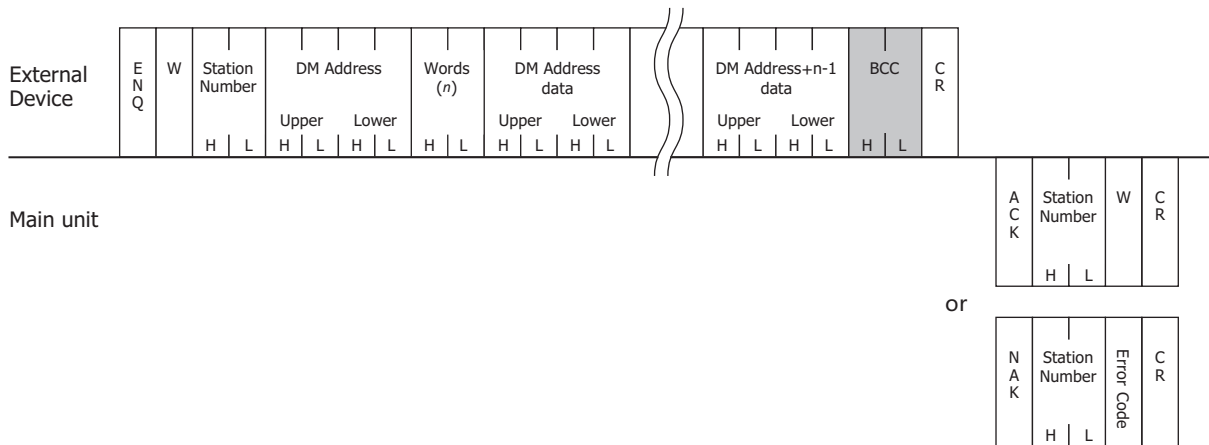
Description: Normal response


Command	Code	Description	Bytes
ACK	06h	Write finished correctly.	1
Station Number		DM Link Station Number expressed in ASCII.	2
W	57h	Write response	1
CR	0Dh	End	1

Description: Error response

Transmission Command	Code	Description	Bytes
NAK	15h	Command was not received correctly.	1
Station Number		DM Link Station Number expressed in ASCII.	2
Error code		Refer to "11 Error Codes" on page 4-38.	1
CR	0Dh	End	1

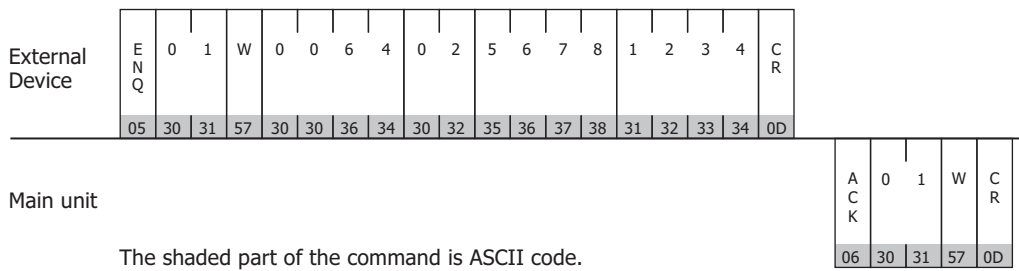
● Write Sequence



 Do not transmit the following command until the external device receives the response of a command which transmitted to the display machine or serves as a timeout.

### ● Write Communication Example

Write 5678h to DM100 and 1234h to DM101 (without BCC).



## 8.3 Clear

This command is used by the external device to clear the main unit receive buffer.

### Format



### Description

Command	Code	Description	Bytes
EOT	04h	Clear receive buffer	1



When the main unit receives the EOT command, all data received prior to receiving it is cleared.

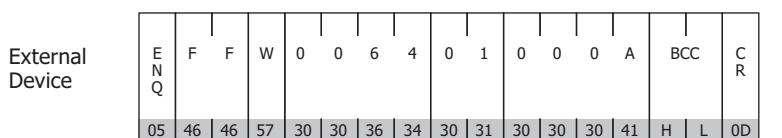
## 8.4 Station Number

With DM Link 1:N Communication, the main unit receives commands when the station number is its own station number, FFh or 00h. The operations that take place are given in the following table.

Station Number	Operation
The station number of the main unit	Reads from or writes to the data memory and returns a response. This is used in normal operation.
FFh	Writes to the data memory, but does not return a response. This is used to write to all connected main units at one time.
00h	Reads from the data memory, and returns a response. This is used for monitoring.

### ● Write Communication Example

Write 0Ah to DM0 (with BCC)



Main unit The shaded part of the command is ASCII code.

No response from the main unit

# 9 DM Link Ethernet (UDP) Communication Format

FT2J
FT1J
HG2J
HG1J
HG5G-V
HG4G-V
HG4G
HG3G-V
HG3G
HG2G-V
HG2G-5F
HG2G-5T
HG1G
HG1P

The communication format with DM Link Ethernet (UDP) Communication is as follows.

■ **Command (Response)**

- Read
- Write

## 9.1 Read

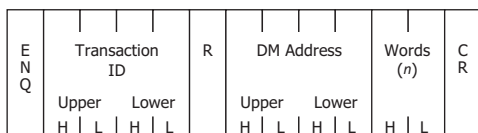
The Read command is used by the external device to read the main unit data memory.

One command can read a maximum of 255 words of data.

The main unit returns a response to the device (command source IP address and port number) that sent the command.

● **Command**

Format

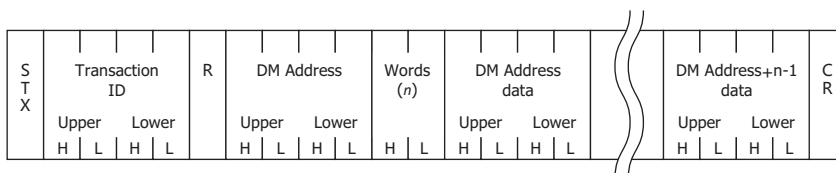


Description

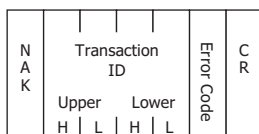
Command	Code	Description	Bytes
ENQ	05h	Command Start	1
Transaction ID		The main unit sets an ID on the external device side. Specify the ID in a range from 0000h to FFFFh with the hexadecimal value expressed using ASCII code.	4
R	52h	Read Command	1
DM address		DM address to start reading from The hexadecimal value expressed using ASCII code.	4
Words		Number of words to read The hexadecimal value expressed using ASCII code.	2
CR	0Dh	End	1

● **Response**

Format: Normal response



Format: Error response





Description: Normal response

Command	Code	Description	Bytes
STX	02h	Response start	1
Transaction ID		The main unit stores the Transaction ID which is set by the external device. The hexadecimal value expressed using ASCII code.	4
R	52h	Read response	1
DM address		DM address to start reading from The hexadecimal value expressed using ASCII code.	4
Words		Number of words to read The hexadecimal value expressed using ASCII code.	2
Data		DM Address Data The hexadecimal value expressed using ASCII code. The words are in order from the lowest address.	4 x <i>n</i> <i>n</i> is the number of words
CR	0Dh	End	1

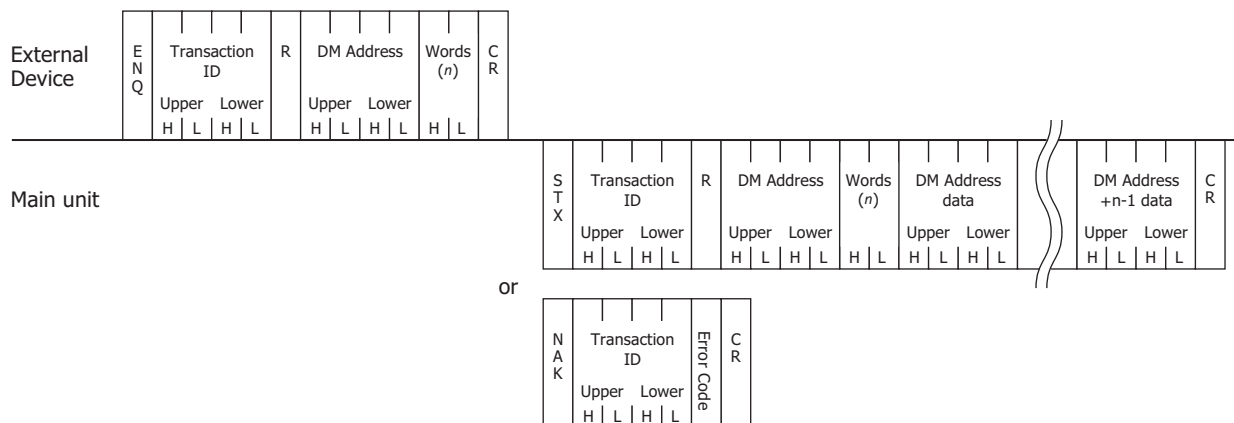
Description: Error response

Command	Code	Description	Bytes
NAK	15h	Command was not received correctly.	1
Transaction ID		The main unit stores the Transaction ID which is set by the external device. The hexadecimal value expressed using ASCII code.	4
Error Code		Added for an error response. (Refer to "11 Error Codes" on page 4-38.)	1
CR	0Dh	End	1



The external device can use the Transaction ID to determine the corresponding command for a received response.

## ● Read Sequence

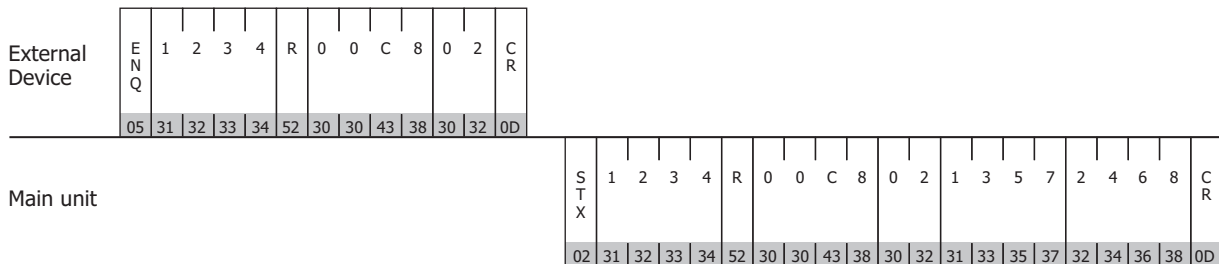


Do not transmit the following command until the external device receives the response of a command which transmitted to the display machine or serves as a timeout.

● Read Communication Example

Read the two words of data from DM200 and DM201

If the data in DM200 is 1357h, the data in DM201 is 2468h, and the Transaction ID is 1234h the sequence is as follows.



The shaded part of the command is ASCII code.

9.2 Write

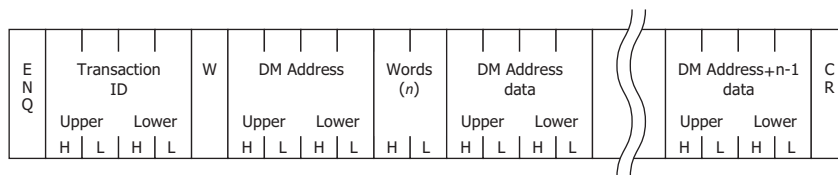
This command is used by the external device to write data to the main unit data memory.

One command can write a maximum of 255 words of data.

The main unit returns a response to the device (command source IP address and port number) that sent the command.

● Command

Format

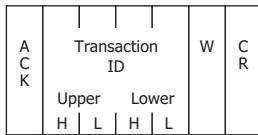


Description

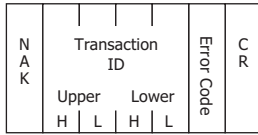
Command	Code	Description	Bytes
ENQ	05h	Command Start	1
Transaction ID		The main unit sets an ID on the external device side. Specify the ID in a range from 0000h to FFFFh with the hexadecimal value expressed using ASCII code.	4
W	57h	Write Command	1
DM Address		DM address to start writing from The hexadecimal value expressed using ASCII code.	4
Words		Number of words to write The hexadecimal value expressed using ASCII code.	2
Data		DM Address Data The hexadecimal value expressed using ASCII code. The words are in order from the lowest address.	4 x n n is the number of words
CR	0Dh	End	1

● Response

Format: Normal response



Format: Error response



Description: Normal response

Command	Code	Description	Bytes
ACK	06h	Write finished correctly.	1
Transaction ID		The main unit stores the Transaction ID which is set by the external device. The hexadecimal value expressed using ASCII code.	4
W	57h	Write response	1
CR	0Dh	End	1

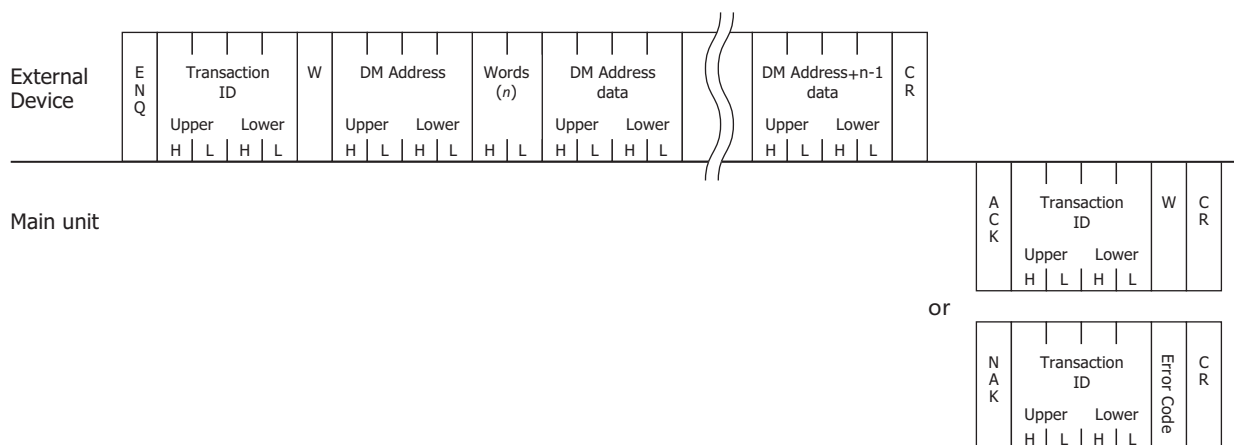
Description: Error response

Transmission Command	Code	Description	Bytes
NAK	15h	Command was not received correctly.	1
Transaction ID		The main unit stores the Transaction ID which is set by the external device. The hexadecimal value expressed using ASCII code.	4
Error code		Added for an error response. (Refer to "11 Error Codes" on page 4-38.)	1
CR	0Dh	End	1



The external device can use the Transaction ID to determine the corresponding command for a received response.

● Write Sequence

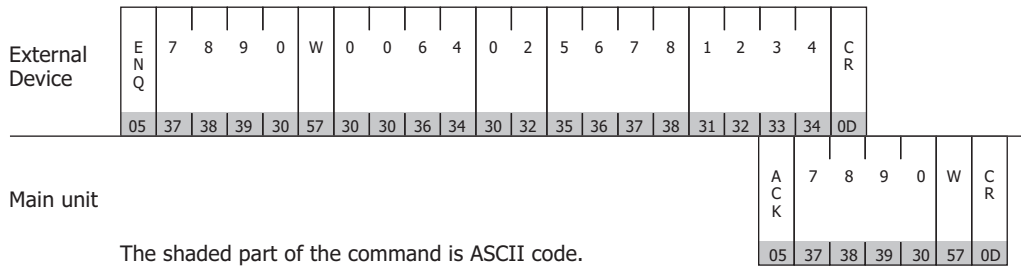


Do not transmit the following command until the external device receives the response of a command which transmitted to the display machine or serves as a timeout.

● Write Communication Example

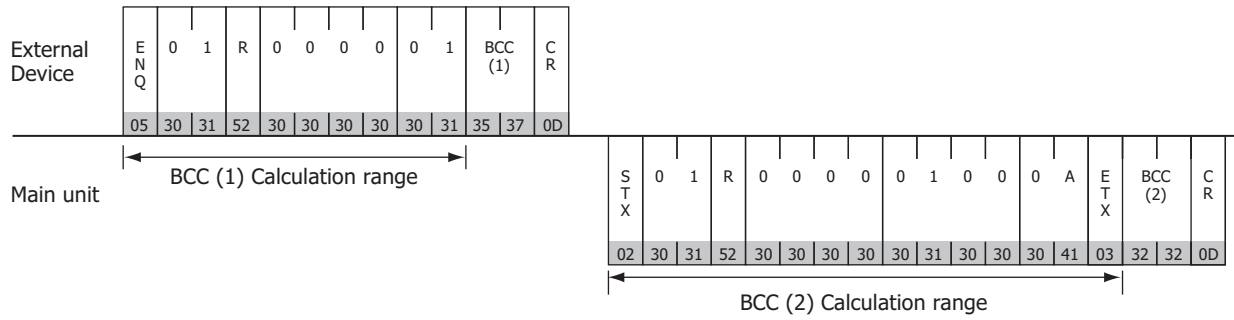
Write 5678h to DM100 and 1234h to DM101

If the Transaction ID is 7890h the sequence is as follows.



# 10 BCC Calculation

## 10.1 BCC Calculation Example (for DM Link 1:N Communication)



Refer to the Exclusive OR (XOR) truth table to calculate BCC.

A XOR B=C

A	B	C
0	0	0
0	1	1
1	0	1
1	1	0

BCC(1) Calculation

05h
30h
31h
52h
30h
30h
30h
30h
30h
30h
31h

XOR Result 57h

BCC(1)	35h	37h
--------	-----	-----

BCC(2) Calculation

02h
30h
31h
52h
30h
30h
30h
30h
30h
30h
30h
30h
31h
30h
30h
30h
41h
03h

XOR Result 22h

BCC(2)	32h	32h
--------	-----	-----

## 11 Error Codes

- When a command that starts with the ENQ (05h) code and ends with CR (0Dh) code is received, but the content is not valid, an error response is returned. For DM Link Ethernet (UDP) Communication<sup>\*1</sup>, a response is returned if ENQ(05h), CR(0Dh), and the Transaction ID are correct.
- The error response codes are as follows.

Error Code	Type	Error Description
'2' (32h)	BCC	BCC doesn't match (when "with BCC" is set)
'3' (33h)	Command	A command other than 'W' or 'R' was received (with the exception of the Clear command)
'4' (34h)	Address Number	Invalid DM address (DM Link 1:1 Communication, DM Link 1:N Communication: Outside DM0 to DM16383 <sup>*2</sup> or DM8191 <sup>*3</sup> DM Link Ethernet (UDP) Communication <sup>*1</sup> : Outside DM16 to DM16383 <sup>*2</sup> or DM8191 <sup>*3</sup> )
'5' (35h)	Number of Words	Invalid number of words specified (Outside the range 1 to 255 or the DM address + No. of words - 1 exceeds 16383 <sup>*2</sup> or 8191 <sup>*3</sup> )
'6' (36h)	Received Bytes	Received bytes invalid (the number of words of data did not exist)



The error code is a code appended to a negative acknowledgment when 1 (Type 1) is selected in Protocol of DM Link 1:N Communication, DM Link Ethernet (UDP) Communication<sup>\*1</sup> or DM Link 1:1 Communication. Not used when 0 (Basic protocol format) is selected in Protocol on the Communication Driver tab of DM Link 1:1 Communication.

### 11.1 Response Time

The main unit replies to commands from the external device within 10msec plus the transmission wait. However, the delay may occur when the screen image is updating.

With DM Link Ethernet (UDP) Communication<sup>\*1</sup>, when commands are simultaneously received from multiple external devices, the response processing is performed in order from the received commands. However, when a command is continuously received, it may no longer be possible to respond correctly.

If there was no response from the main unit, retry sending command on the external device side after an amount of time longer than "2 seconds + transmission wait time" has elapsed.

\*1 FT2J/1J, HG2J/1J, HG5G/4G/3G/2G-V, HG4G/3G, HG2G-5F only

\*2 HG5G/4G/3G/2G-V only

\*3 HG4G/3G, HG2G-5F/-5T, HG1G/1P only

# Chapter 5 Modbus

## 1 Connection Table

Selecting Modbus RTU Master or Modbus TCP Client for the Communication Driver allows the user to use the 1:N Communication function (☞ Chapter 6 “Communication with Multiple External Devices” on page 6-1).

### 1.1 Compatible Protocols

Protocol	WindO/I-NV4 Settings		
	Interface	Flow Control	Communication Driver
Modbus RTU Master	RS232C, RS422/485 2-wire, RS422/485 4-wire	None, ER	Modbus RTU Master
Modbus RTU Slave	RS232C, RS422/485 2-wire, RS422/485 4-wire	None, ER	Modbus RTU Slave
Modbus ASCII Master	RS232C, RS422/485 2-wire, RS422/485 4-wire	None, ER	Modbus ASCII Master
Modbus TCP Client	Ethernet	-	Modbus TCP Client
Modbus TCP Server	Ethernet	-	Modbus TCP Server

For details about Modbus TCP Server and Modbus RTU Slave, refer to “6 Modbus TCP Server, Modbus RTU Slave Function” on page 5-14.

### 1.2 Compatible Table

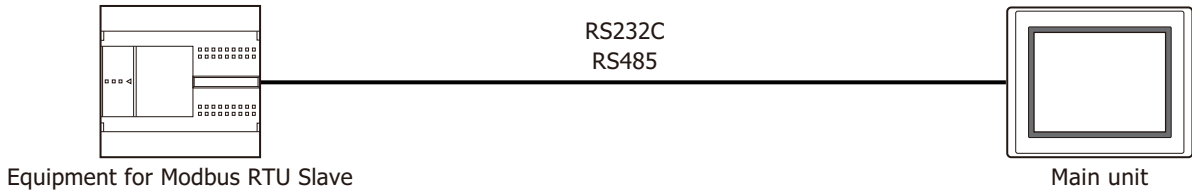
CPU Unit	Link Unit	WindO/I-NV4 Settings		
		Interface	Flow Control	Communication Driver
<b>Schneider Twido</b>				
TWD LC*A 10DRF	Not required (Connects to CPU Unit)	RS422/485 2-wire Connection Diagram 2 (Page 5-7)	None	Modbus RTU Master, Modbus ASCII Master
TWD LC*A 16DRF TWD LC*A 24DRF TWD LCA* 40DRF	Not required (Connects to CPU Unit)	RS422/485 2-wire Connection Diagram 2 (Page 5-7)		
	TWD NAC 232D (Communication Adapter)	RS232C Connection Diagram 1 (Page 5-6)	ER	
	TWD NAC 485D (Communication Adapter)	RS422/485 2-wire Connection Diagram 2 (Page 5-7)	None	
	TWD NAC 485T (Communication Adapter)	RS422/485 2-wire Connection Diagram 3 (Page 5-9)		
TWD LMDA 20DTK TWD LMDA 20DUK TWD LMDA 20DRT TWD LMDA 40DTK TWD LMDA 40DUK	Not required (Connects to CPU Unit)	RS422/485 2-wire Connection Diagram 2 (Page 5-7)	None	
	TWD NOZ 485D	RS422/485 2-wire Connection Diagram 2 (Page 5-7)		
	TWD NOZ 232D	RS232C Connection Diagram 1 (Page 5-6)	ER	
	TWD NOZ 485T	RS422/485 2-wire Connection Diagram 3 (Page 5-9)		
	TWD XCP ODM (HMI Module) +TWD NAC 232D (Communication Adapter)	RS232C Connection Diagram 1 (Page 5-6)	ER	
	TWD XCP ODM (HMI Module) +TWD NAC 485D (Communication Adapter)	RS422/485 2-wire Connection Diagram 2 (Page 5-7)		
	TWD XCP ODM (HMI Module) +TWD NAC 485T (Communication Adapter)	RS422/485 2-wire Connection Diagram 3 (Page 5-9)		
<b>Schneider Momentum</b>				
171CCC96020	Not required (Connects to Ethernet port)	Ethernet	-	Modbus TCP Client

Only a portion of corresponding models are described. Other than those above, devices that support Modbus Communication can be connected.

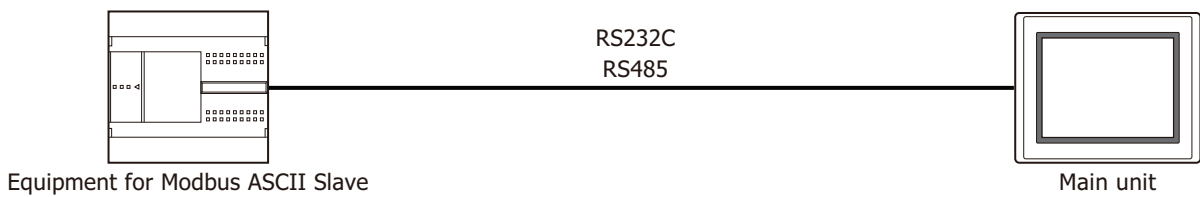
## 2 System Configuration

This is the system configuration for the connection of Schneider PLCs to the main unit.

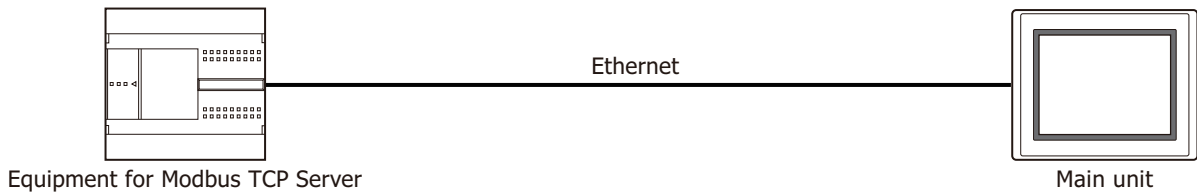
### 2.1 Modbus RTU Master



### 2.2 Modbus ASCII Master

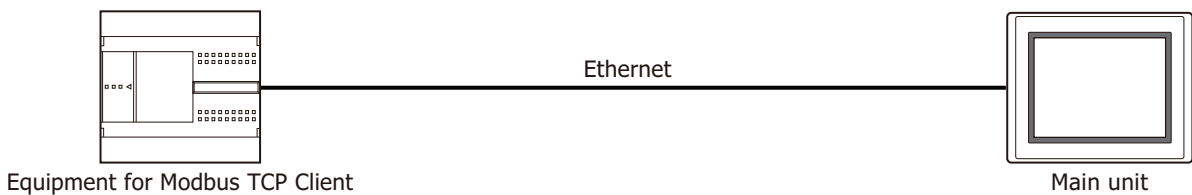


### 2.3 Modbus TCP Client



- Use a crossover cable to connect the main unit and PLC directly.
- When using a hub (Ethernet switch), use a cable that can be used with the hub.

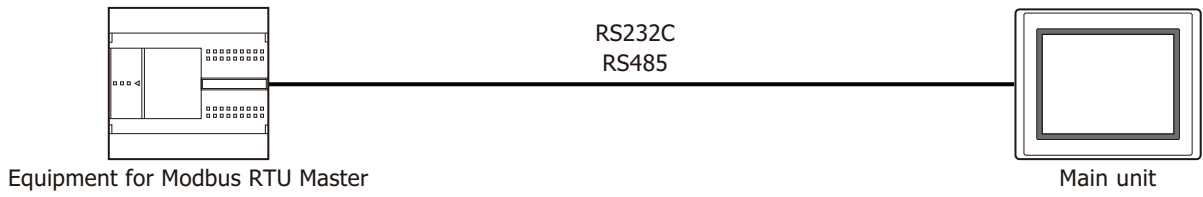
### 2.4 Modbus TCP Server



- Use a crossover cable to connect the main unit and PLC directly.
- When using a hub (Ethernet switch), use a cable that can be used with the hub.

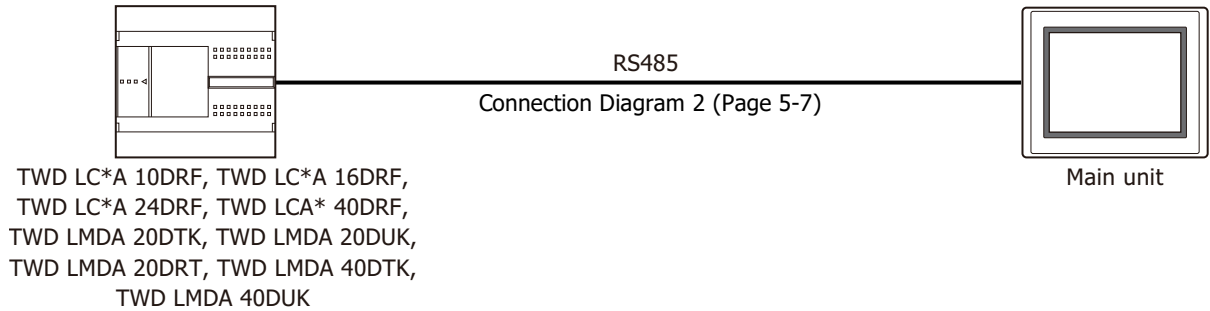


## 2.5 Modbus RTU Slave

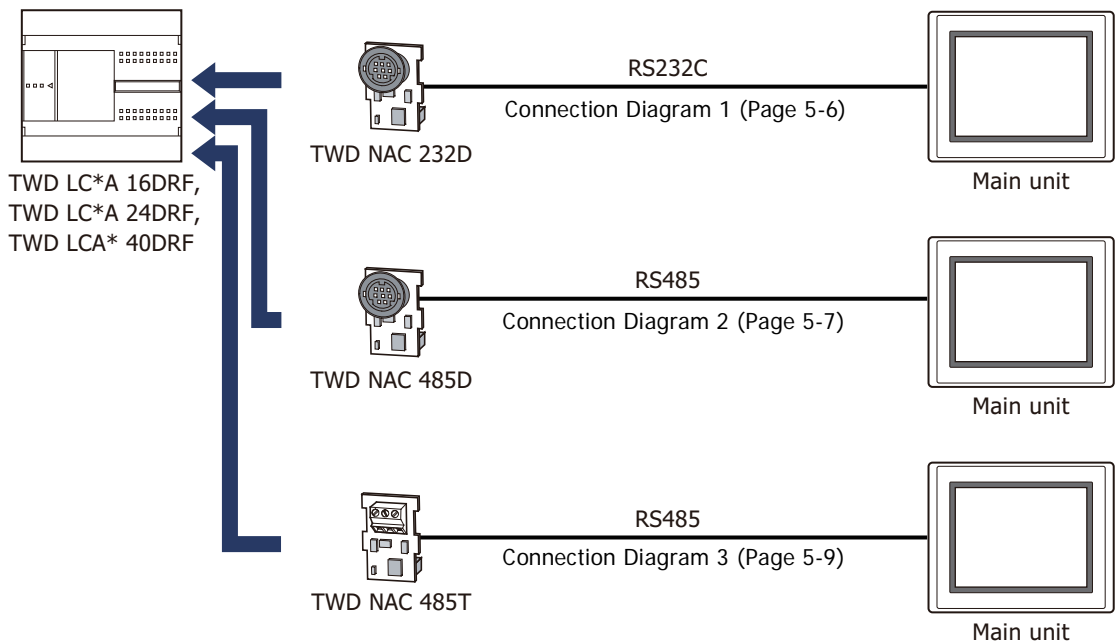


## 2.6 Twido

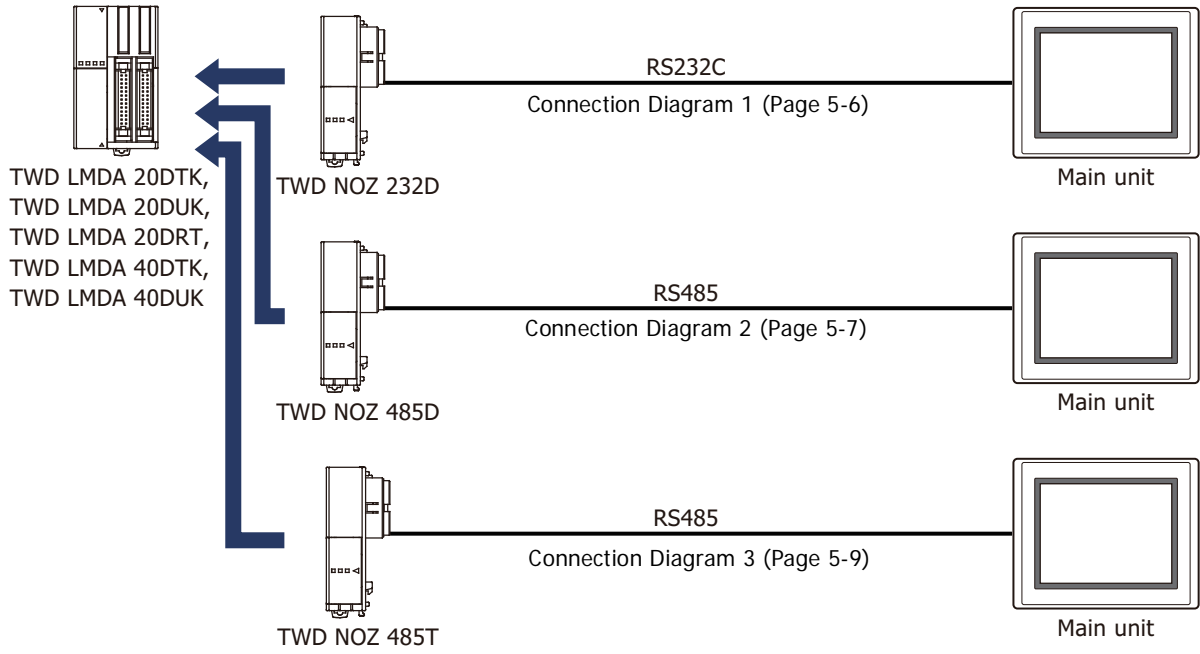
### ● Serial port on CPU Module



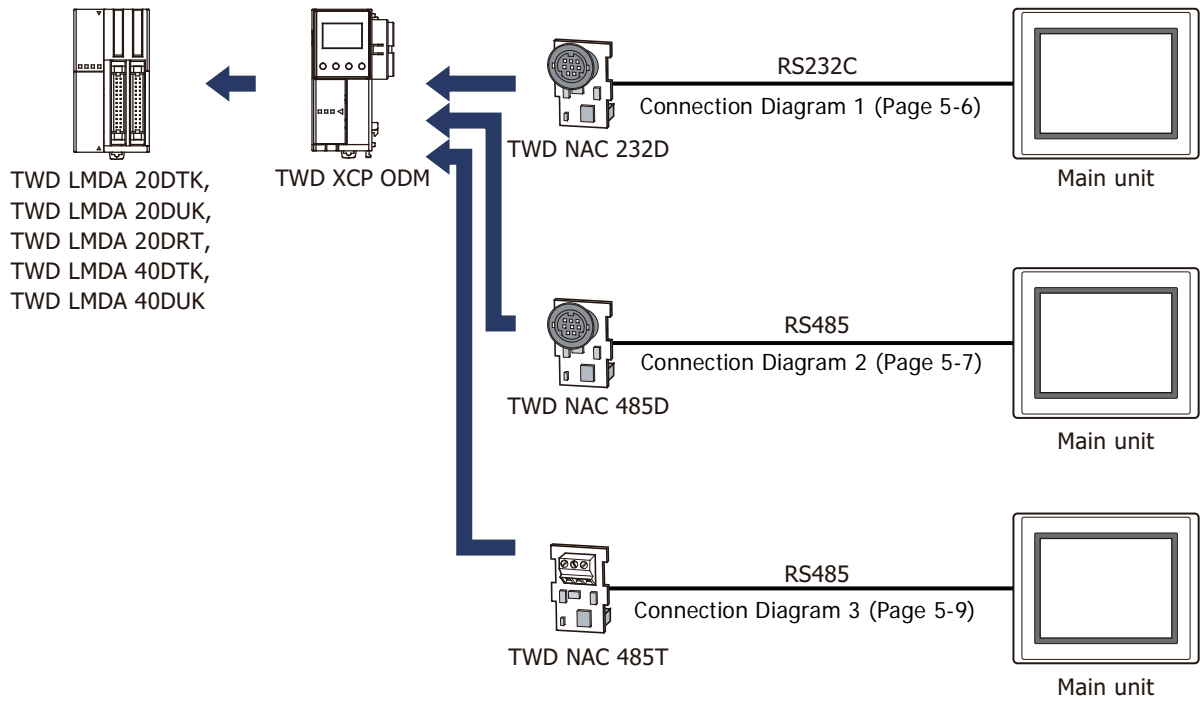
### ● Compact Controller + Communication Adapter



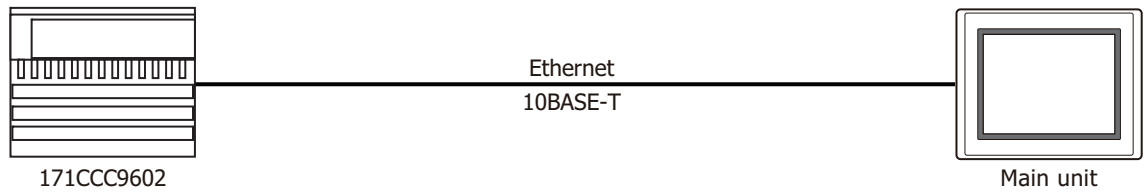
● Module Controller + Communication Module



● Module Controller + HMI Module + Communication Adapter

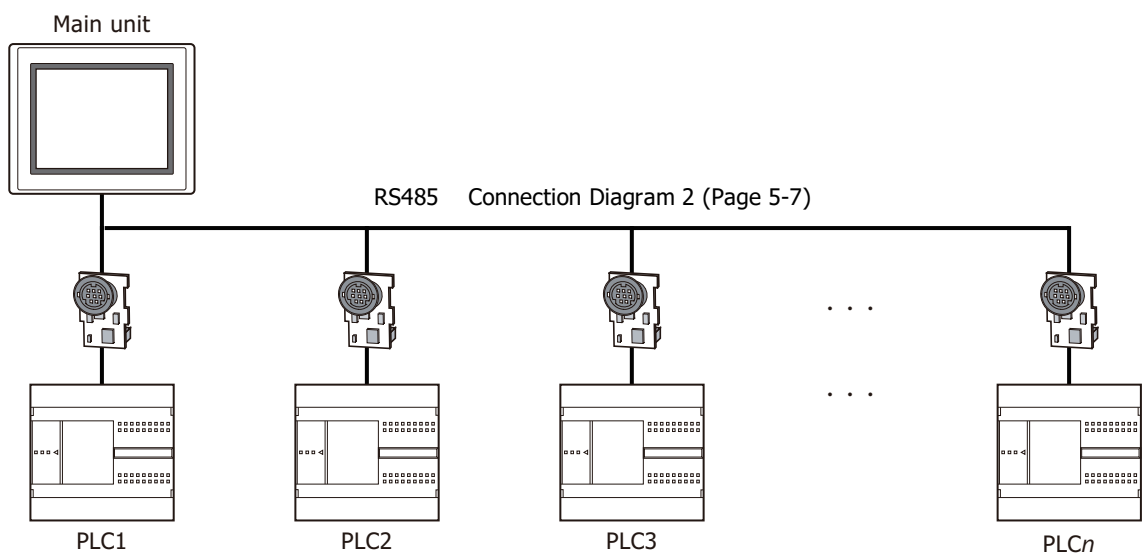


## 2.7 Momentum (MODBUS TCP Client)

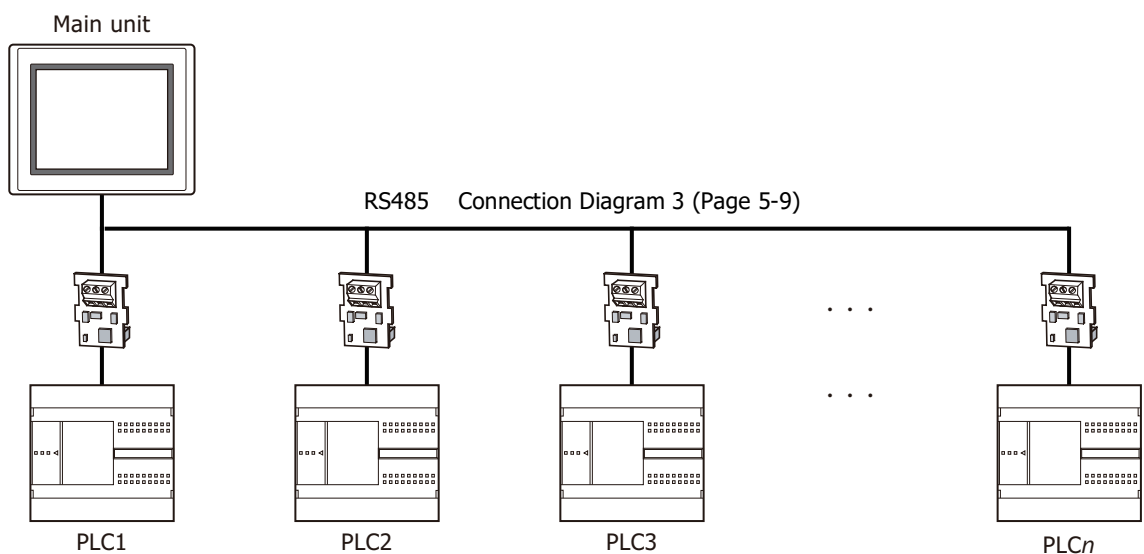


- Use a crossover cable to connect the main unit and PLC directly.
- When using a hub (Ethernet switch), use a cable that can be used with the hub.
- Please avoid using for the long distance communication because this driver may be used in the control network in the same factory only.

## 2.8 TWD LCA 16DRF/24DRF+TWD NAC 485D (Communication Adapter)



## 2.9 TWD LCA 16DRF/24DRF+TWD NAC 485T (Communication Adapter)



### 3 Connection Diagram



The connector types given in the Connection Diagrams are for the unit and not the cable. For details regarding wiring, refer to Chapter 1 "3 Important Points Regarding Wiring" on page 1-4.

#### 3.1 Connection Diagram 1: TWD NAC 232D

PLC(RS232C):  
Mini DIN 8-pin Connector

Name	Pin No.
RS	1
ER	2
SD	3
RD	4
DR	5
SG	6
SG	7
+5V	8
Shield	Cover

Shield Wire

FT2J/1J, HG2J/1J, HG5G/4G/3G/2G-V,  
HG4G/3G, HG2G-5F/-5T, HG1G:  
Terminal block

Pin No.	Name
4	CS
2	RD
1	SD
3	RS
5 or 10*1	SG

PLC(RS232C):  
Mini DIN 8-pin Connector

Name	Pin No.
RS	1
ER	2
SD	3
RD	4
DR	5
SG	6
SG	7
+5V	8
Shield	Cover

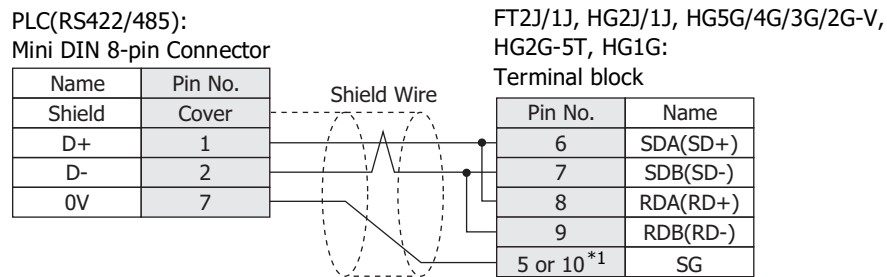
Shield Wire

HG5G/4G/3G/2G-V,  
HG4G/3G, HG2G-5F:  
D-sub 9-pin Male Connector

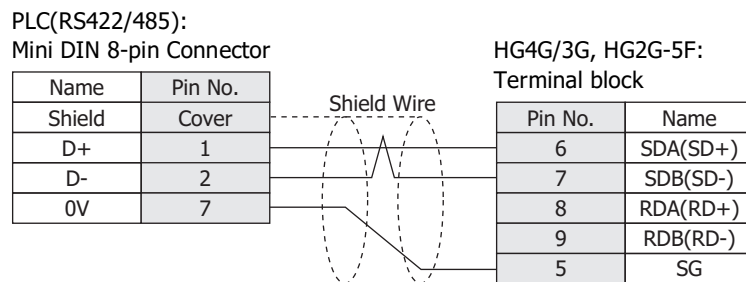
Pin No.	Name
Cover	FG
8	CS
2	RD
3	SD
7	RS
5	SG

\*1 FT1J, HG1J only

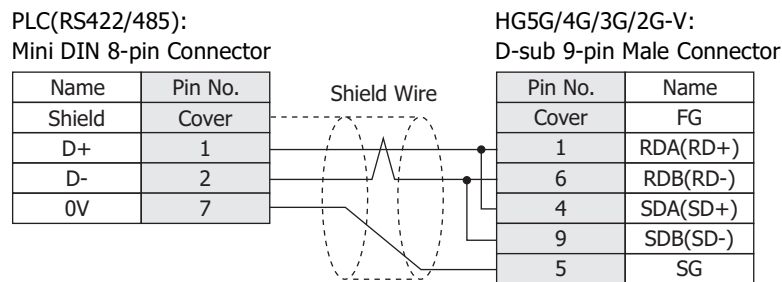
### 3.2 Connection Diagram 2: TWD NAC 485D



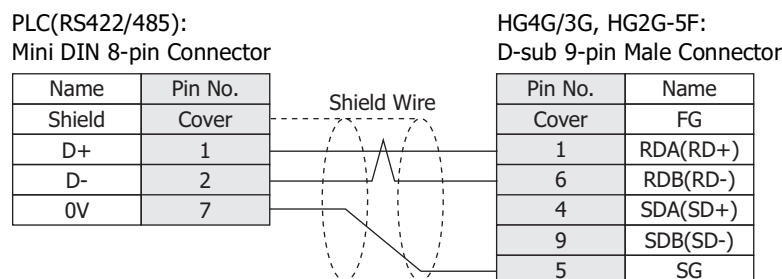
Insert a terminating resistor, if necessary. For the setting method, refer to Chapter 1 "3 Important Points Regarding Wiring" on page 1-4.



Insert a terminating resistor, if necessary. For the setting method, refer to Chapter 1 "3 Important Points Regarding Wiring" on page 1-4.

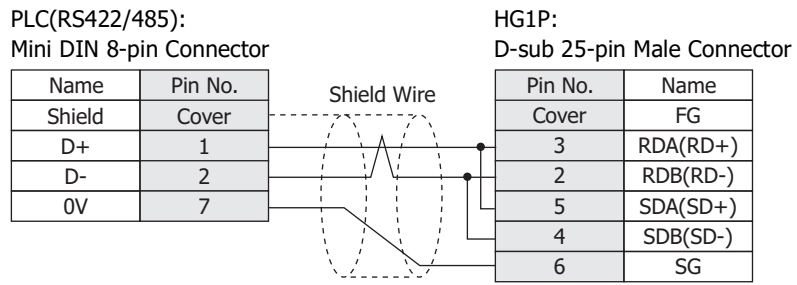


When connecting COM1 on the HG5G/4G/3G/2G-V to the external device, do not insert terminating resistor to the external device.

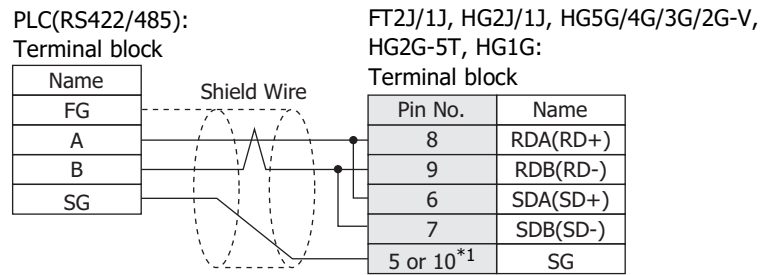


When connecting COM1 on the HG4G/3G, HG2G-5F to the external device, do not insert terminating resistor to the external device.

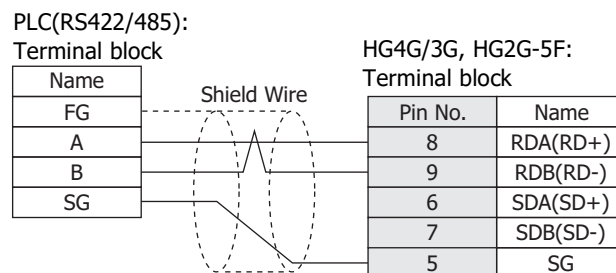
\*1 FT1J, HG1J only



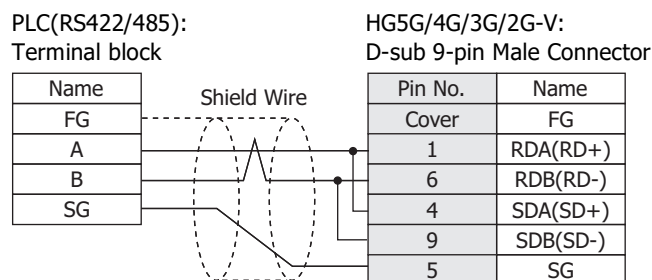
### 3.3 Connection Diagram 3: TWD NAC 485T



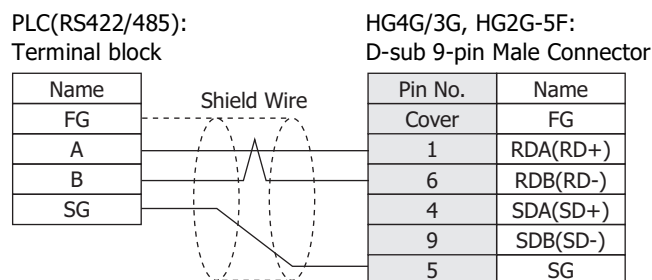
Insert a terminating resistor, if necessary. For the setting method, refer to Chapter 1 "3 Important Points Regarding Wiring" on page 1-4.



Insert a terminating resistor, if necessary. For the setting method, refer to Chapter 1 "3 Important Points Regarding Wiring" on page 1-4.

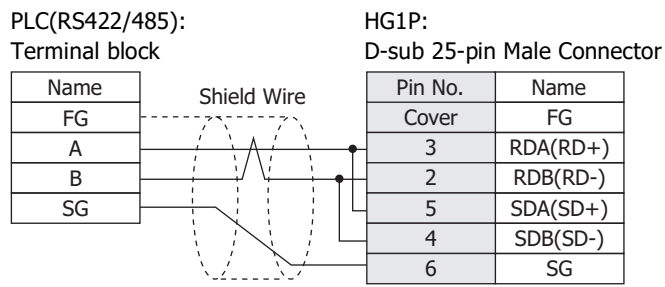


When connecting COM1 on the HG5G/4G/3G/2G-V to the external device, do not insert terminating resistor to the external device.



When connecting COM1 on the HG4G/3G, HG2G-5F to the external device, do not insert terminating resistor to the external device.

\*1 FT1J, HG1J only





## 4 Environment Settings

### 4.1 Configure Modbus RTU/ASCII Master

Tab Name	Items		Details
Communication Interface	Interface	The same setting as the external device.	RS232C, RS485 2-wire or RS485 4-wire
	Baud Rate		115200, 57600, 38400, 19200, 9600, 4800, 2400 or 1200 bps
	Data Bits* <sup>1</sup>		7 or 8
	Stop Bits		1 or 2
	Parity		None, Odd or Even
	Flow Control		None or ER
Communication Driver	Use No.0 as Broadcast		0: Disable, 1: Enable (When 2 to 255 are set, the behavior is the same as when 1 was set.)
	Use function6 instead of function16		Enable: Use function6 for writing to HR Disable: Use function16 for writing to HR
Communication Driver Network	Slave Address* <sup>2</sup>	The same setting as the external device.	0 to 255 (When <b>Specify Slave Number of Modbus RTU Master by Value of Device Address</b> is enabled, this value is used as default value when the main unit starts running)
	Specify Slave Number of Modbus RTU Master by Value of Device Address* <sup>3</sup>		Enable: Specify top device address to change slave number while running by changing value of each occupied address numbers. Change the top device address value to change slave number of External Device ID 0. The start address number +1 to the top address number +31 correspond to the external device ID 1 to the external device ID 31, change the value of the address number and change the slave number specified as the corresponding external device ID.  Disable: Slave number is fixed.
	Maximum number of multiple Read/Write		1 to 123 Set the maximum number of data which can be read/written in one command.



When use **Specify Slave Number of Modbus RTU Master by Value of Device Address** function and change the slave number during operation, the slave number is changed from the next request command transmission to the external device. If you change the slave number while setting multiple external device addresses, values read from different slave devices may mix.

If you change the slave number, read the values of all the device addresses of the using external device, and then refer to the external device addresses. You can check whether the values of all device addresses of the connected device you are using have been read from the connected device by checking the values of the HMI special data register or HMI special internal relay.

Example: External Device Communication 1

- More than twice the read scan time (LSD6) has passed
- The value of the read scan (LSM7) has been switched two or more times

\*1 8 bits is recommended. If 7 bits is specified, the range of data that can be handled becomes small and communication may not be possible.

\*2 Set the Slave Number in decimal.

\*3 This function can be used with Modbus RTU Master only. It cannot be used with Modbus ASCII Master.

## 4.2 Configure Modbus TCP Client

Tab Name	Items		Details
Communication Driver	Use function6 instead of function16		Enable: Use function6 for writing to HR Disable: Use function16 for writing to HR
Communication Driver Network	IP Address <sup>*1</sup>	The same setting as the external device.	IPv4 Typed IP address
	Port Number <sup>*1</sup>		0 to 65535 <sup>*2</sup>
	Unit ID <sup>*3</sup>		1 to 247
	Maximum number of multiple Read/Write		1 to 123 Set the maximum number of data which can be read/written in one command.

\*1 IP Address and Port Number cannot be changed from the system menu of the main unit. Please change it using WindO/I-NV4.

\*2 When the port number is "0", this driver will set "502" (the number of Modbus TCP default port) automatically.

\*3 Set the Unit ID in decimal.

## 5 Usable Device Addresses

### 5.1 Modbus RTU Master, Modbus ASCII Master, Modbus TCP Client

#### Bit Device

Device Name	Device Type		Address Number Range	Read /Write	Address Numeral System
	Main unit	PLC			
Coil	C	C	1 to 65536	R/W	Decimal
Inputs Status	I	I	100001 to 165536	R	Decimal

#### Word Device

Device Name	Device Type		Address Number Range	Read /Write	Address Numeral System
	Main unit	PLC			
Holding Registers	HR	HR	400001 to 465536	R/W	Decimal
Inputs Registers	IR	IR	300001 to 365536	R	Decimal

### 5.2 Twido (Modbus RTU Master)

#### Bit Device

Device Name	Device Type		Address Number Range	Read /Write	Address Numeral System
	Main unit	PLC			
Coil	C	%M	1 to 256	R/W	Decimal
Inputs Status	I	%M	100001 to 100256	R	Decimal

#### Word Device

Device Name	Device Type		Address Number Range	Read /Write	Address Numeral System
	Main unit	PLC			
Holding Registers	HR	%MW	400001 to 401500	R/W	Decimal
Inputs Registers	IR	%MW	300001 to 301500	R	Decimal

### 5.3 Momentum (Modbus TCP Client)

#### Bit Device

Device Name	Device Type		Address Number Range	Read /Write	Address Numeral System
	Main unit	PLC			
Coil	C	-	1 to 65536	R/W	Decimal
Inputs Status	I	-	100001 to 165536	R	Decimal

#### Word Device

Device Name	Device Type		Address Number Range	Read /Write	Address Numeral System
	Main unit	PLC			
Holding Registers	HR	-	400001 to 465536	R/W	Decimal
Inputs Registers	IR	-	300001 to 365536	R	Decimal

## 6 Modbus TCP Server, Modbus RTU Slave Function

### 6.1 Overview of the Modbus TCP Server, Modbus RTU Slave Function

The Modbus TCP Server, Modbus RTU Slave function performs that a computer or PLC (refers to as an external device) can read and write the main unit device addresses of dedicated Modbus communication via the Ethernet or Serial cable.

The read/write of a device is performed using the Modbus TCP protocol (Modbus TCP Server function) or Modbus RTU protocol (Modbus RTU Slave function).

For Modbus TCP Server, a maximum of four external devices can be simultaneously connected to the main unit.

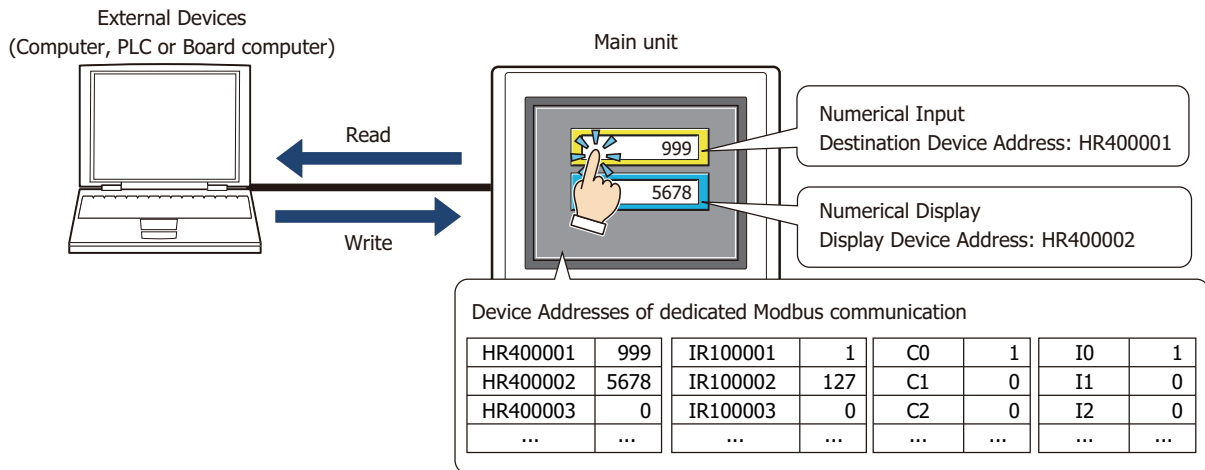
- **Operation of the Communication**

The external device is capable of reading/writing to the main unit device addresses of dedicated Modbus communication. It is also possible to read or write device addresses of dedicated Modbus communication from the main unit.

- **Read/Write from the External Device**

The external device is capable of reading or writing the data in the device addresses of dedicated Modbus communication at the any timing.

The device types of dedicated Modbus communication are C(Coil), I(Inputs Status), HR(Holding Registers) and IR(Inputs Registers). For details, refer to 5 "Usable Device Addresses" on page 5-13 and 6.4 "Device Addresses" on page 5-16.

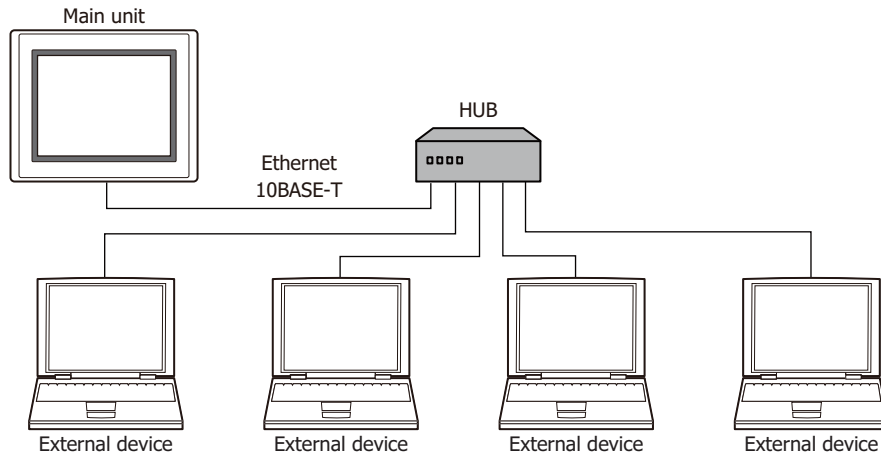


Modbus communication is the open protocol. For detail information, visit the web site at <http://www.modbus.org/>.

## 6.2 Modbus TCP Server function system configuration

### ● System Configuration

The following is the system configuration.



- Up to 4 external devices can communicate with a single main unit at one time.
- The main unit and an external device can be directly connected on a 1:1 basis by bypassing a hub. In this case, use a crossing cable for the connection.

### ● Wiring

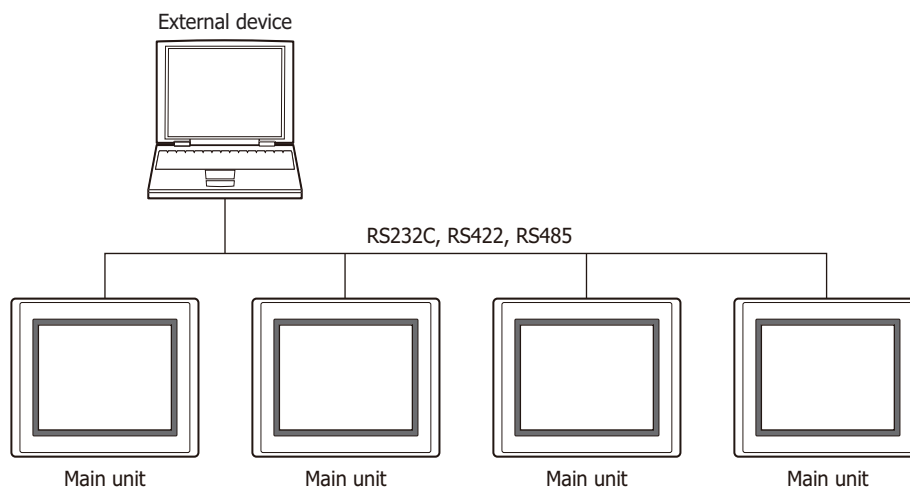
Make sure to use commercially available 10BASE-T ready cables for connecting the devices.

Use a straight cable when using a hub, and use a crossing cable when directly connecting to the main unit and an external device.

## 6.3 Modbus RTU Slave function system configuration

### ● System Configuration

The following is the system configuration.



### ● Wiring

Wire according to the external device.

## 6.4 Device Addresses

The following devices are available for Modbus TCP Server function, Modbus RTU Slave function.

### Bit Device

Device Name	Device Type	Address Number Range	Main unit Read/Write	External Device Read/Write	Address Numeral System
Coil Status	C	1 to 4096	R/W	R/W	Decimal
Input Status	I	100001 to 104096	R/W	R	Decimal

### Word Device

Device Name	Device Type	Address Number Range	Main unit Read/Write	External Device Read/Write	Address Numeral System
Holding Register	HR	400001 to 404096	R/W	R/W	Decimal
Input Register	IR	300001 to 304096	R/W	R	Decimal

All devices are general-purpose devices intended for nonspecific purposes.

## 6.5 Settings

### ● Settings of the Modbus TCP Server Function

The settings of the Modbus TCP Server communication can be configured in the Configuration - System Setup - Project dialog boxes in WindO/I-NV4. The following table lists the configurable settings. Configure the settings according to the external device to be used.

#### Project Settings Dialog Box

Tab Name	Setting Name	Description	
Communication Interface	Function	Select from the <b>External Device Communication 1</b> to the <b>External Device Communication 4</b> .	
Communication Driver	Manufacturer	Select <b>Modbus</b> .	
	Communication Driver	Select <b>Modbus TCP Server</b> .	
	Refuse Access From Unknown Clients	Select this box to refuse access from devices other than the specified external device (client).	
	Monitor the Connection Status	To monitor the connection status, select this check box and specify a word device. The connection status is stored in the word device.	
	Communication Driver Extension Settings	Time Out (sec)	Enter the duration (in units of seconds) after which timeout occurs if request is not sent from the external device (client).
		Port Number	Specify the TCP port number of the main unit.
Processing Interval (msec)		Enter the interval in units of milliseconds at which the main unit performs communication processing. Adjust the communications traffic by increasing this value when the processing speed of the main unit is slow due to a high-traffic communication.	
Client Address 1 to Client Address 4		When the <b>Refuse Access From Unknown Clients</b> check box is selected, specify the IP address of the external device (client) from which access will be accepted. Configure 0.0.0.0 when the client address allowed is not specified.	



Regarding TCP port number of the main unit, note the following points.

- The numbers that cannot be used:
- 2538 (for pass-through)
  - 2101 (for FC4A Series MicroSmart direct connection pass-through)

Duplicate numbers cannot be configured in the following functions:

- Maintenance communication (☞ refer to Chapter 4 "Communication Interface Tab" in the WindO/I-NV4 User's Manual)
- Web server function (☞ refer to Chapter 4 "Web Server Tab" in the WindO/I-NV4 User's Manual)
- FTP server function (☞ refer to Chapter 4 "FTP Server Tab" in the WindO/I-NV4 User's Manual)
- **TCP Server** is selected for the User Communication (☞ refer to Chapter 4 "Communication Interface Tab" in the WindO/I-NV4 User's Manual)
- **Modbus** as **Manufacture** and **Modbus TCP Server** as **Communication Driver** are selected on the Communication Driver tab
- **YASKAWA Electric** as **Manufacture** and **MP2000(Ethernet)** as **Communication Driver** are selected on the Communication Driver tab (☞ refer to Chapter 2 "The main unit settings" on page 2-215)

### Monitor the Connection Status

The connection status between the main unit and an external device (client) can be monitored.

Select Monitor the Connection Status check box, and then specify a word device to store the connection information. The information for each connection is stored starting with the allocated device address and utilizes 26 words of address numbers.

Address Number	Description
+0	4 (Maximum connections)
+1	0 (Reserved)
+2	Connection Status Bit 0: (0: Not connected, 1: Connected) Bit 1: (0: Not connected, 1: Connected) Bit 2: (0: Not connected, 1: Connected) Bit 3: (0: Not connected, 1: Connected) Bit 4 to Bit 15: 0 (Reserved)
+3 to +9	0 (Reserved)
+10 to +13	The IP address of the external device connected to the Connection 1. Example: The top device address is LDR100 and the IP address of the external device is 192.168.1.100. LDR110=192, LDR111=168, LDR112=1, LDR113=100
+14 to +17	The IP address of the external device connected to the Connection 2. Example: The top device address is LDR100 and the IP address of the external device is 192.168.1.101. LDR114=192, LDR115=168, LDR116=1, LDR117=101
+18 to +21	The IP address of the external device connected to the Connection 3. Example: The top device address is LDR100 and the IP address of the external device is 192.168.1.102. LDR118=192, LDR119=168, LDR120=1, LDR121=102
+22 to +25	The IP address of the external device connected to the Connection 4. Example: The top device address is LDR100 and the IP address of the external device is 192.168.1.103. LDR122=192, LDR123=168, LDR124=1, LDR125=103

### ● Settings of the Modbus RTU Slave Function

The settings of the Modbus RTU Slave communication can be configured in the Project dialog box displayed by clicking Project in System Setup group on Configuration tab of WindO/I-NV4. The following table lists the configurable settings. Configure the settings according to the external device to be used.

#### Project Settings Dialog Box

Tab Name	Setting Name	Description
Communication Interface	Function	Select from <b>External Device Communication 1</b> to <b>External Device Communication 4</b> .
Communication Driver	Manufacturer	Select <b>Modbus</b> .
	Communication Driver	Select <b>Modbus RTU Slave</b> .
	Slave Address	Set the main unit slave address number.



## 6.6 Modbus TCP Server Function Communication Format

This chapter describes the communication format of the Modbus TCP communication.

The Modbus TCP communication supports Class 0 and Class 1 functions of the OPEN Modbus TCP SPECIFICATION Release1.0. For details about the communication methods, refer to the OPEN Modbus TCP SPECIFICATION Release1.0 as well as this manual.

### ● Preparations for Communication

The Modbus TCP Server performs communications using the TCP. Make sure to establish a connection with the specified port of the main unit with TCP before executing reading/writing of devices.

### ● Basic Format

The following table lists the basic format of communications. The same format applies to both requests and responses. Data is processed as a byte sequences.

Byte 0	Transaction ID* <sup>1</sup> The same value is returned from the server. The value is normally "0".
Byte 1	Transaction ID* <sup>1</sup> The same value is returned from the server. The value is normally "0".
Byte 2	Protocol ID* <sup>2</sup> The value is always "0".
Byte 3	Protocol ID* <sup>2</sup> The value is always "0".
Byte 4	Message length* <sup>3</sup> (high byte) The value is always "0". (Since the message is 256 bytes at maximum.)
Byte 5	Message length* <sup>3</sup> (low byte) The length of the following message.
Byte 6	Unit ID* <sup>4</sup>
Byte 7	Function code* <sup>5</sup>
Byte 8 to	Data* <sup>6</sup>

\*1 The data included in a request is returned from the server without changes. The external device (client) sends a different Transaction ID for each request, and identifies the response by checking the Transaction ID of a response. Enter "0" to not check the Transaction ID.

\*2 The number indicating the Modbus TCP protocol, and is always "0".

\*3 Indicates the length of the following message in units of bytes.

\*4 ID used for identifying devices. The ID is not used with the main unit. When the ID is used in a request, the returned data is unchanged.

\*5 Numbers assigned for functions such as reading and writing.

\*6 Data required for each processing.

## 6.7 Modbus RTU Slave Function Communication Format

This chapter describes the communication format of the Modbus RTU communication.

The Modbus RTU communication supports Class 0 and Class 1 functions of the MODBUS APPLICATION PROTOCOL SPECIFICATION V1.1b3. For details about the communication methods, refer to the MODBUS over Serial Line Specification and Implementation Guide V1.02 as well as this manual.

### ● Basic Format

The following table lists the basic format of communications. The same format applies to both requests and responses. Data is processed as a byte sequences.

Idle	3.5 characters* <sup>1</sup>
Byte 0	Slave address Specify the main unit slave address.
Byte 1	Function code* <sup>2</sup>
Byte 2 to	Data* <sup>3</sup>
Byte <i>n</i> -1	CRC* <sup>4</sup>
Byte <i>n</i>	
Idle	3.5 characters

\*1 Idle means no data flowing on the communication line. Modbus RTU communication requires a minimum of 3.5-character-long idle time between frames to determine the beginning of a frame.

\*2 Numbers assigned for functions such as reading and writing.

\*3 Data required for each processing.

\*4 Modbus RTU communication uses CRC.

Calculating the CRC-16 (cyclic redundancy checksum)

Calculate the BCC using CRC-16 for the range from the slave number to the byte immediately before the BCC.

The generation polynomial is:  $X^{16} + X^{15} + X^2 + 1$ .

1. Take the exclusive OR (XOR) of FFFFh and the first 1-byte data at the slave number.

2. Shift the result by 1 bit to the right.

3. When a carry occurs, take the exclusive OR (XOR) of A001h, then go to step 3.

If not, directly go to step 3.

4. Repeat step 2, shifting 8 times.

5. Take the exclusive OR (XOR) of the result and the next 1-byte data.

6. Repeat step 2 through step 4 up to the byte immediately before the BCC.

7. Swap the higher and lower bytes of the result of step 5, and store the resultant CRC-16 to the BCC (CRC) position.

## 6.8 Common protocol format

### ● Reference Numbers

Reference numbers are used to specify a device address with the Modbus TCP.

The reference number is obtained by subtracting 1 from the 1st to 5th value of the device address, and is expressed in hexadecimal format. The following table lists the address of each device and the corresponding reference number.

Device Address	Reference No.	Device Address	Reference No.	Device Address	Reference No.	Device Address	Reference No.
C1	0000	I100001	0000	HR400001	0000	IR300001	0000
C2	0001	I100002	0001	HR400002	0001	IR300002	0001
...	...	...	...	...	...	...	...
C65535	FFFE	I165535	FFFE	HR465535	FFFE	IR365535	FFFE
C65536	FFFF	I165536	FFFF	HR465536	FFFF	IR365536	FFFF

### ● Functions

Function code	Function name	Description
3	Read multiple registers	Reading of Holding Register (HR) consecutively
16 (10h)	Write multiple registers	Writing to Holding Register (HR) consecutively
1	Read coils	Reading of Coil (C) consecutively
2	Read discrete inputs	Reading of Input Relay (I) consecutively
4	Read input registers	Reading of Input Register (IR) consecutively
5	Write coil	Writing to a single Coil (C)
6	Write single register	Writing to a single Holding Register (HR)
7	Read exception status	Reading of exception status (0 to 7th bit of HR400001)*1

\*1 This function is not supported in Modbus RTU Slave function.

The following section describes the details of the functions.

The communication example listed for each function is only for the function code. The following communication examples are listed for each function code. If Modbus TCP is selected, add byte 0 to byte 6 before the following examples, if Modbus RTU is selected, add the slave address as byte 0 and CRC as last byte.

### ■ FC3 Read multiple registers - Reading of Holding Register (HR) consecutively

#### Request

Modbus TCP	Modbus RTU	Description
Byte 1	Byte 1	FC (Function code)=03
Byte 8, 9	Byte 2, 3	Reference Number
Byte 10, 11	Byte 4, 5	Number of read words (1 to 125 words)

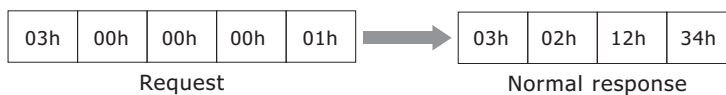
#### Normal response

Modbus TCP	Modbus RTU	Description
Byte 7	Byte 1	FC (Function code)=03
Byte 8	Byte 2	Number of bytes of the response (number of read words x 2)
From Byte 9	From Byte 3	Read data

#### Error response

Modbus TCP	Modbus RTU	Description
Byte 7	Byte 1	FC (Function code)=83 (Hexadecimal)
Byte 8	Byte 2	Exception code 01 or 02

Example: Reading of HR400001 (1 word). The read value is 1234 (Hexadecimal).



### ■ FC16 Write multiple registers - Writing to Holding Register (HR) consecutively

#### Request

Modbus TCP	Modbus RTU	Description
Byte 7	Byte 1	FC (Function code)=10 (Hexadecimal)
Byte 8, 9	Byte 2, 3	Reference Number
Byte 10, 11	Byte 4, 5	Number of write words (1 to 100 words)
Byte 12	Byte 6	Number of write bytes (2 x number of write words)
From Byte 13	From Byte 7	Write data

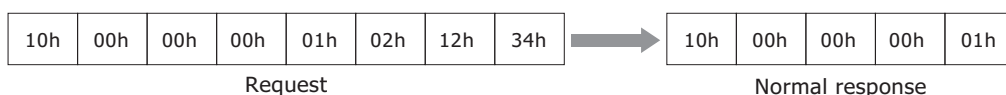
#### Normal response

Modbus TCP	Modbus RTU	Description
Byte 7	Byte 1	FC (Function code)=10 (Hexadecimal)
Byte 8, 9	Byte 2, 3	Reference Number
From Byte 10	From Byte 4	Number of write words

#### Error response

Modbus TCP	Modbus RTU	Description
Byte 7	Byte 1	FC (Function code)=90 (Hexadecimal)
Byte 8	Byte 2	Exception code 01 or 02

Example: Writing to HR400001 (1 word). The write value is 1234 (Hexadecimal).



■ FC1 Read coils - Reading of Coil (C) consecutively

**Request**

Modbus TCP	Modbus RTU	Description
Byte 7	Byte 1	FC (Function code)=01
Byte 8, 9	Byte 2, 3	Reference Number
Byte 10, 11	Byte 4, 5	Number of read bits (1 to 2000 bits)

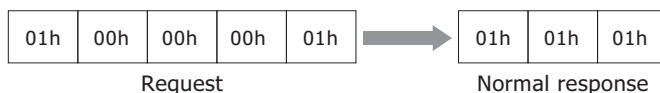
**Normal response**

Modbus TCP	Modbus RTU	Description
Byte 7	Byte 1	FC (Function code)=01
Byte 8	Byte 2	Number of bytes for the response ((number of read bits +7)/8)
From Byte 9	From Byte 3	Read data

**Error response**

Modbus TCP	Modbus RTU	Description
Byte 7	Byte 1	FC (Function code)=81 (Hexadecimal)
Byte 8	Byte 2	Exception code 01 or 02

Example: Reading of C1. 1 bit. The read value is 1.



**Data sequence of read value**

When two or more data are read out, the read data are arranged starting from the lowest address by 8 bits (1 byte). Within any 1 byte, data in the lower address is set to the lower bit. The data in the unread bit becomes "0". For example, when reading an 11-bit data as shown below, the read value becomes 21 03.

Device Address	Data	Remarks
C1	1	Data for the 1st byte Bit pattern=00100001=21 (Hexadecimal)
C2	0	
C3	0	
C4	0	
C5	0	
C6	1	
C7	0	
C8	0	
C9	1	Data for 2nd byte Bit pattern 00000011=03 (Hexadecimal)
C10	1	
C11	0	
C12	0	
C13	0	
C14	0	
C15	0	
C16	0	

### ■ FC2 Read discrete inputs - Reading of Input Relay (I) consecutively

#### Request

Modbus TCP	Modbus RTU	Description
Byte 7	Byte 1	FC (Function code)=02
Byte 8, 9	Byte 2, 3	Reference Number
Byte 10, 11	Byte 4, 5	Number of read bits (1 to 2000 bits)

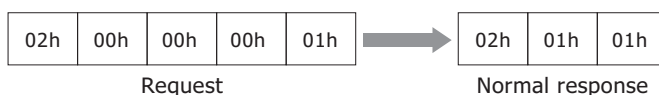
#### Normal response

Modbus TCP	Modbus RTU	Description
Byte 7	Byte 1	FC (Function code)=02
Byte 8	Byte 2	Number of bytes for the response ((number of read bits+7)/8)
From Byte 9	From Byte 3	Read data

#### Error response

Modbus TCP	Modbus RTU	Description
Byte 7	Byte 1	FC (Function code)=82 (Hexadecimal)
Byte 8	Byte 2	Exception code 01 or 02

Example: Reading of I100001. 1 bit. The read value is 1.



The data sequence for the read value is similar to that of FC1 Read Coils.

### ■ FC4 Read input registers - Reading of Input Register (IR) consecutively

#### Request

Modbus TCP	Modbus RTU	Description
Byte 7	Byte 1	FC (Function code)=04
Byte 8, 9	Byte 2, 3	Reference Number
Byte 10, 11	Byte 4, 5	Number of read words (1 to 125 words)

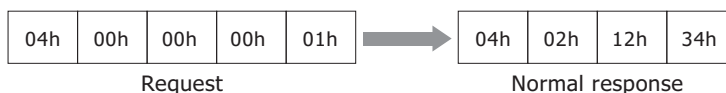
#### Normal response

Modbus TCP	Modbus RTU	Description
Byte 7	Byte 1	FC (Function code)=04
Byte 8	Byte 2	Number of bytes for the response (number of read words x 2)
From Byte 9	From Byte 3	Read data

#### Error response

Modbus TCP	Modbus RTU	Description
Byte 7	Byte 1	FC (Function code)=84 (Hexadecimal)
Byte 8	Byte 2	Exception code 01 or 02

Example: Reading of IR300001 (1 word). The read value is 1234 (Hexadecimal).



### ■ FC5 Write coil - Writing to a single Coil (C)

#### Request

Modbus TCP	Modbus RTU	Description
Byte 7	Byte 1	FC (Function code)=05
Byte 8, 9	Byte 2, 3	Reference Number
Byte 10	Byte 4	Write value (FF when write value is 1, and 00 when write value is 0)
Byte 11	Byte 5	Fixed value 00

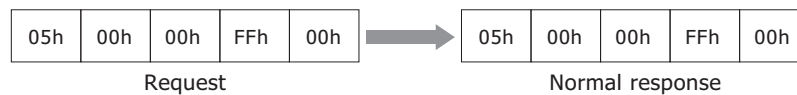
#### Normal response

Modbus TCP	Modbus RTU	Description
Byte 7	Byte 1	FC (Function code)=05
Byte 8, 9	Byte 2, 3	Reference Number
Byte 10	Byte 4	Write value (FF when write value is 1, and 00 when write value is 0)
Byte 11	Byte 5	Fixed value 00

#### Error response

Modbus TCP	Modbus RTU	Description
Byte 7	Byte 1	FC (Function code)=85 (Hexadecimal)
Byte 8	Byte 2	Exception code 01 or 02

Example: Writing of C1 (1 bit). The write value is 1.



### ■ FC6 Write single register - Writing to a single Holding Register (HR)

#### Request

Modbus TCP	Modbus RTU	Description
Byte 7	Byte 1	FC (Function code)=06 (Hexadecimal)
Byte 8, 9	Byte 2, 3	Reference Number
Byte 10, 11	Byte 4, 5	Write data

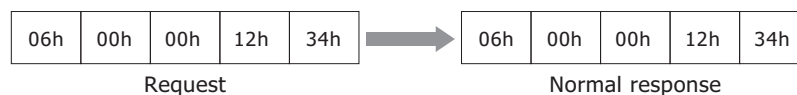
#### Normal response

Modbus TCP	Modbus RTU	Description
Byte 7	Byte 1	FC (Function code)=06 (Hexadecimal)
Byte 8, 9	Byte 2, 3	Reference Number
Byte 10, 11	Byte 4, 5	Write data

#### Error response

Modbus TCP	Modbus RTU	Description
Byte 7	Byte 1	FC (Function code)=86 (Hexadecimal)
Byte 8	Byte 2	Exception code 01 or 02

Example: Writing to HR40001. The write value is 1234 (Hexadecimal).



### ■ FC7 Read exception status -Reading of exception status (Bit 0 to 7 of HR400001)

#### Request

Modbus TCP	Modbus RTU	Description
Byte 7	Byte 1	FC (Function code)=07 (Hexadecimal)

#### Normal response

Modbus TCP	Modbus RTU	Description
Byte 7	Byte 1	FC (Function code)=07 (Hexadecimal)
Byte 8	Byte 2	Value of exception status

#### Error response

Modbus TCP	Modbus RTU	Description
Byte 7	Byte 1	FC (Function code)=87 (Hexadecimal)
Byte 8	Byte 2	Exception code 01 or 02

Example: Reading of exception status. The read value is 34 (Hexadecimal).



The Read exception status function reads the data from the device holding special status information using the Modbus protocol. Since the main unit does not have special registers, the exception status is read by bit 0 to 7 of HR400001.

This function is not supported in Modbus RTU Slave function.

### ● Exception code

The following table describes the exception codes that are sent upon an error response.

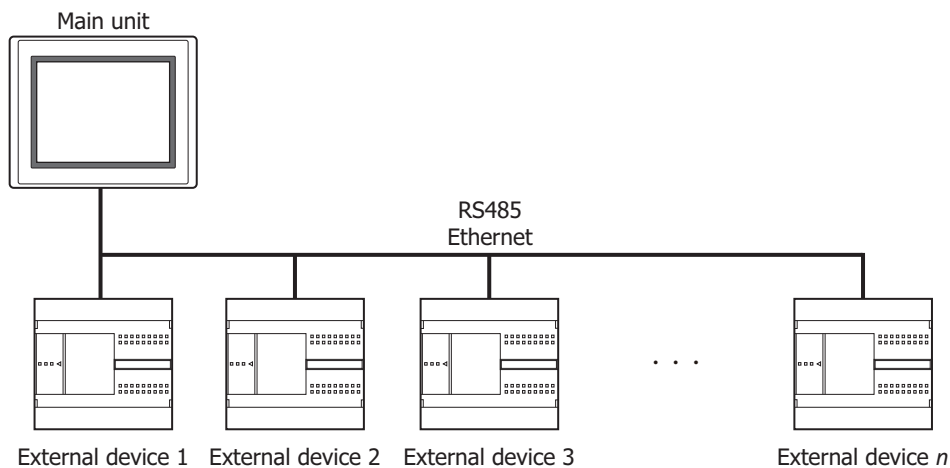
Exception code	Name	Description
01	ILLEGAL FUNCTION	Indicates that a function code that is not defined by the Modbus protocol or a function code that is not supported by the main unit is designated.
02	ILLEGAL DATA ADDRESS	The address information included in the data is invalid. For example, when reading the number of read words starting from the starting reference No. for the read, this exception code is sent if the data exceeds the maximum address of the device.
03	ILLEGAL DATA VALUE	The value of the data is invalid. This exception code is also sent when the number of data is invalid.



## 1 About 1:N Communication (Multi-drop)

### 1.1 Outline

For a communication driver that supports the 1:N Communication function, Device Link Communication is possible by connecting multiple external devices to a single the main unit.



Different types of external devices can be simultaneously connected by using multiple communication drivers, refer to "5 Using Multiple Communication Drivers" on page 6-9.

## 2 Communication Drivers Supporting 1:N Communication

The table below lists the Communication Drivers supporting 1:N communication.

### Compatible Communication Drivers

Manufacturer	Communication Driver
IDEC	MICROSmart(FC6A)(RS232C/485) OpenNet,MICROSmart,SmartAXIS Pro/Lite(RS232C/485)
	MICROSmart(FC6A)(Ethernet) OpenNet,MICROSmart,SmartAXIS Pro/Lite(Ethernet)
Mitsubishi Electric	MELSEC-FX (LINK)
	MELSEC-Q/QnA (Ethernet), MELSEC-FX3U (Ethernet)
OMRON	SYSMAC CS1/CJ series(Ethernet)
Allen-Bradley	Logix Controllers(Ethernet), Logix DF1(Full Duplex), Logix Native Tag(Ethernet)
KOYO ELECTRONICS INDUSTRIES	DirectLogic 205/405, DirectLogix(Ethernet)
Modbus	Modbus RTU Master, Modbus ASCII Master
	Modbus TCP Client
KEYENCE	KV(Ethernet)
YASKAWA Electric	MP2000(Ethernet)
Yokogawa Electric	FACTORY ACE FA-M3(Ethernet)
Fuji Electric	MICREX-SX(Ethernet)
Emerson Electric	ROC Protocol
SIEMENS	S7-1200(Ethernet)
Hitachi Industrial Equipment Systems	EH(Ethernet)

## 3 Settings of the 1:N Communication

### 3.1 External Device Address Settings

#### ● Common setting

When 1:N Communication is specified, configure the device setting according to the format below. This applies to the external device settings only.

External Device ID    Delimiter    Device Type    Space    Device Address

Delimiter is a colon ":"

Example: 1:D 1000

#### ● Ethernet communication driver

In case of Ethernet communication driver, attach IP address and Port number for PLC to the External Device ID. Configure communicated PLC information on Communication Driver Network in Project Settings.

#### ● Settings when a communication error occurs

Configure the operation settings in the event of a communication error. These settings are displayed in the Communication Driver tab on the Project Settings dialog box.

Item	Setting
Ignore communication errors and continue operation	Specifies whether or not to stop the main unit operation if a communication error occurs.
Display error message	Specifies whether or not to display an error message (communication error) if operation continues after a communication error occurs. If "Ignore communication errors and continue operation" is enabled, an Ack (acknowledge) button is displayed in the error message. If it is disabled, the Ack (acknowledge) button is not displayed in the error message.
Auto retry	Specifies whether or not to automatically try connecting the MICRO/ to the Station No. when the communication error occurred. To retry manually, either write 1 in the 2nd bit (initialization) of the device address set under "Batch monitor error information for all Station No.'s" (mentioned later) or write 1 in the 1st bit (connection settings) of the device addresses assigned to the relevant Station No.'s set under "Individually monitor error information for each Station No.". The communication for the other PLC stations stop while retrying the disconnecting PLC station.
Batch monitoring the communication error information for all Station Numbers	Specifies the device address that stores communication error information for all Station No.'s. It is only possible to set HMI devices. The following kind of information is stored as error information: <ul style="list-style-type: none"> <li>• Initialization</li> <li>• Conditions under which the error occurred</li> <li>• Read error log</li> <li>• Write error log</li> </ul> For details, refer to "Communication error information" on page 6-4.
Monitoring communication error information for each station, individually	Specifies the device address that stores communication error information for each Station No. It is only possible to set HMI devices. Take care to avoid redundant addresses when using this setting, as this error information occupies up to 256 devices. The following kind of information is stored as error information: <ul style="list-style-type: none"> <li>• Connection settings</li> <li>• Conditions under which the error occurred</li> <li>• Read error log</li> <li>• Write error log</li> </ul> For details, refer to "Communication error information for each Station Number" on page 6-5.



- The communication error settings can be specify per communication driver which is selected in **External Device Communication 1** to **External Device Communication 4**.
- The station number varies based on the communication interface. The displayed settings are as follows:
  - Serial interface:      Slave Number
  - Ethernet interface:    External Device ID

Communication error information

It is possible to check the conditions of the communication and the error log. It is also possible to initialize the connection status for each Station No.

Bit	15 to 8	7	6	5	4	3	2	1	0
Function	Reserved	Write error log	Read error log	Reserved	Conditions under which the error occurred	Reserved	Reserved	Initialization	Reserved
Read/Write		R	R		R		R	R/W	

■ **Bit 1 (Initialization)**

Writing 1 initializes all values related to error information and communication error information for each Station No. When the value turns to 0 after 1 is written, this indicates that initialization is complete.

When "Auto retry" is disabled, communication is not made with the Station No. where the communication error occurred, but if this bit is used for initialization, communication is resumed with all Station No.'s.

■ **Bit 4 (Conditions under which the error occurred)**

If an error is occurring at a Station No., this bit turns to 1.

When the system recovers from the communication error, it automatically turns to 0. It is always 0 when "Auto retry" is disabled. When the Bit 0 (connection settings) of the "Communication error information for each Station No." settings is 0, the conditions under which the error occurred at each Station No. are not reflected in this bit.

■ **Bit 6 (Read error log)**

If a read error occurs on a device used on the main unit, 1 is written.

It will not change to 0 even after the system recovers from the read error. To make it 0, write 1 in the Bit 1 (initialization).

■ **Bit 7 (Write error log)**

If a write error occurs on a device used on the main unit, 1 is written.

It will not change to 0 even after the system recovers from the write error. To make it 0, write 1 in the Bit 1 (initialization).

Communication error information for each Station Number

The "Communication error Information" setting stores all communication error information. To refer to error information for each Station No., use this setting. "Communication error information for each Station No." occupies the same number of devices as the set number of words for each Communication Driver, starting with the set device first.

Bit	15 to 8	7	6	5	4	3	2	1	0
Function	Reserved	Write error log	Read error log	Reserved	Conditions under which the error occurred	Reserved	Reserved	Reserved	Condition settings
Read/Write		R	R		R		R		R/W

#### ■ Bit 0 (Connection settings)

Instructs whether or not to communicate with the relevant Station No.

Communication is made if this bit is 1. Communication is not made if this bit is 0.

When the power is turned on, the default value of this bit is 1.

When "Auto retry" is enabled, this bit is always 1.

When "Auto retry" is disabled, this bit is 0 if a communication error occurs.

#### ■ Bit 4 (Conditions under which the error occurred)

This bit turns to 1 when an error is occurring at a relevant Station No.

When the system recovers from the communication error, it automatically turns to 0.

#### ■ Bit 6 (Read error log)

If a read error occurs at a relevant Station No., 1 is written.

It will not change to 0 even after the system recovers from the read error. To make it 0, write 1 in the Bit 1 (initialization) of the communication error information.

#### ■ Bit 7 (Write error log)

If a write error occurs at a relevant Station No., 1 is written.

It will not change to 0 even after the system recovers from the write error. To make it 0, write 1 in the Bit 1 (initialization) of the communication error information.

### 3.2 Connection Diagram

For the wiring diagram between the PLC and the main unit, refer to the PLC manual for PLC pin-outs. For connecting two or more PLC units with the main unit, refer to the diagram below.

● RS422/485 2-wire

FT2J/1J, HG2J/1J, HG5G/4G/3G/2G-V,  
HG2G-5T, HG1G:

Terminal block

Name	Pin No.
RDA(RD+)	8
RDB(RD-)	9
SDA(SD+)	6
SDB(SD-)	7
SG	5 or 10*1

External Device 1

Name
A(D+)
B(D-)
FG
SG

External Device 2

Name
A(D+)
B(D-)
FG
SG

External Device 3

Name
A(D+)
B(D-)
FG
SG



Insert a terminating resistor, if necessary. For the setting method, refer to Chapter 1 "3 Important Points Regarding Wiring" on page 1-4.

HG4G/3G, HG2G-5F:

Terminal block

Name	Pin No.
RDA(RD+)	8
RDB(RD-)	9
SDA(SD+)	6
SDB(SD-)	7
SG	5

External Device 1

Name
A(D+)
B(D-)
FG
SG

External Device 2

Name
A(D+)
B(D-)
FG
SG

External Device 3

Name
A(D+)
B(D-)
FG
SG



Insert a terminating resistor, if necessary. For the setting method, refer to Chapter 1 "3 Important Points Regarding Wiring" on page 1-4.

HG5G/4G/3G/2G-V:

D-sub 9-pin Male Connector

Name	Pin No.
FG	Cover
RDA(RD+)	1
RDB(RD-)	6
SDA(SD+)	4
SDB(SD-)	9
SG	5

External Device 1

Name
FG
A(D+)
B(D-)
SG

External Device 2

Name
FG
A(D+)
B(D-)
SG

External Device 3

Name
FG
A(D+)
B(D-)
SG



When connecting COM1 on the HG5G/4G/3G/2G-V to the external device, do not insert terminating resistor to the external device.

HG4G/3G, HG2G-5F:

D-sub 9-pin Male Connector

Name	Pin No.
FG	Cover
RDA(RD+)	1
RDB(RD-)	6
SDA(SD+)	4
SDB(SD-)	9
SG	5

External Device 1

Name
FG
A(D+)
B(D-)
SG

External Device 2

Name
FG
A(D+)
B(D-)
SG

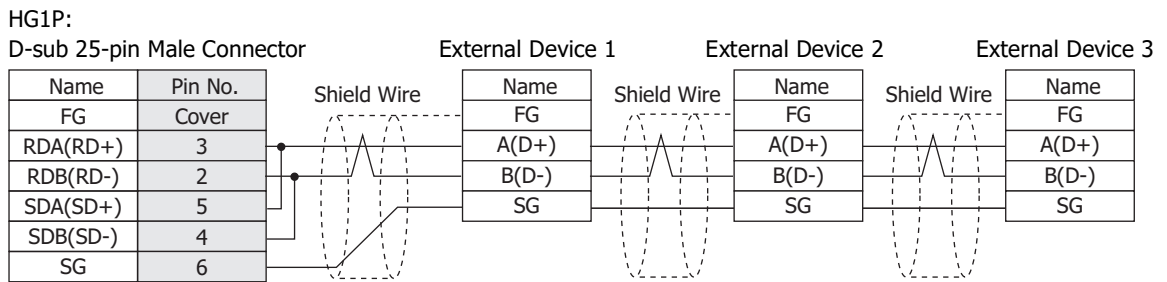
External Device 3

Name
FG
A(D+)
B(D-)
SG



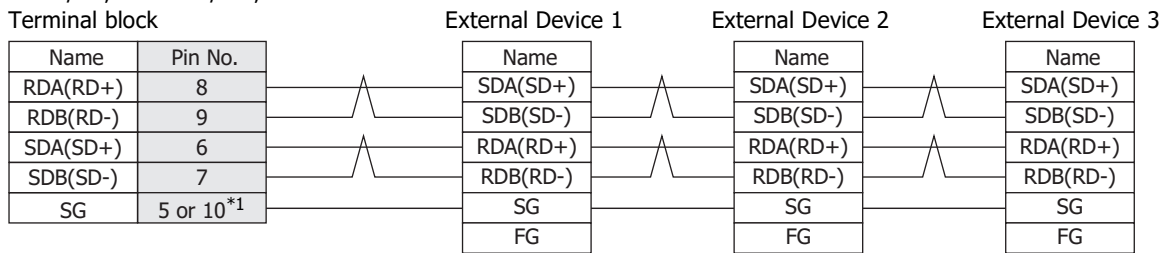
When connecting COM1 on the HG4G/3G, HG2G-5F to the external device, do not insert terminating resistor to the external device.

\*1 FT1J, HG1J only



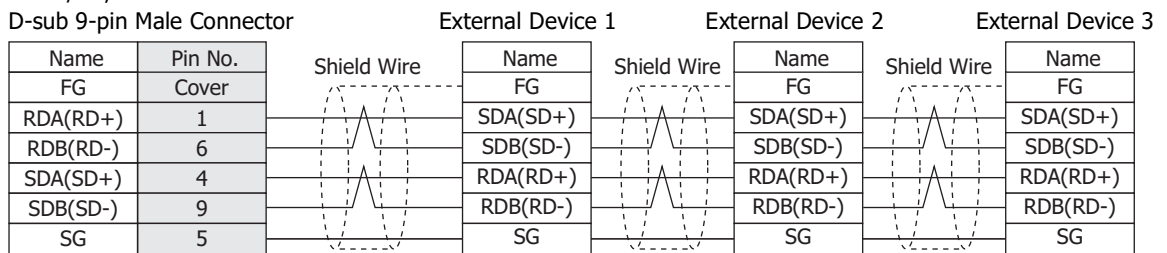
● RS422/485 4-wire

FT2J/1J, HG2J/1J, HG5G/4G/3G/2G-V,  
HG4G/3G, HG2G-5F/-5T, HG1G:

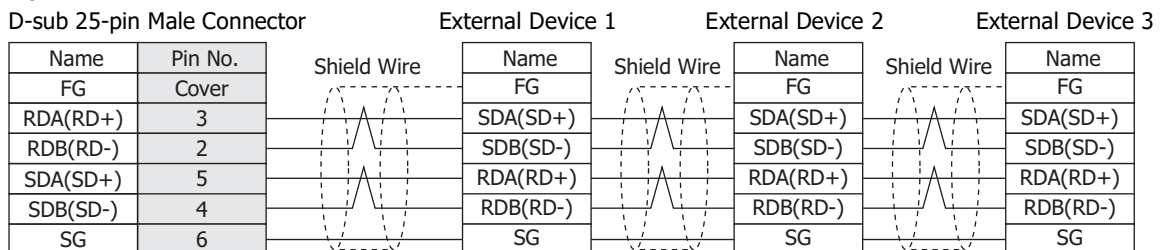


Insert a terminating resistor, if necessary. For the setting method, refer to Chapter 1 "3 Important Points Regarding Wiring" on page 1-4.

HG5G/4G/3G/2G-V,  
HG4G/3G, HG2G-5F:



HG1P:



\*1 FT1J, HG1J only

## 4 1:N Communication Operation

### 4.1 1:N Communication Operation

These instructions describe operation when a communication error occurs during 1:N communication. For details about settings, refer to "Settings when a communication error occurs" on page 6-3.

#### ● Ignore communication errors and continue operation is disabled

When **Ignore communication errors and continue operation** is enabled, if the main unit fails to connect to the target external device, an error message and the Station No. of the external device that failed to connect are displayed, and the main unit operation stops.

Settings	Action when the main unit fails to connect to the external device
None	Displays an error message and stops operation. An Ack (acknowledge) button is not displayed in the error message. The error message is displayed until communication with the PLC recovers.

#### ● Ignore communication errors and continue operation is enabled

When **Ignore communication errors and continue operation** is enabled, if the main unit fails to connect to the external device, it does not stop operation. Information related to communication errors is stored in the devices set in **Batch monitoring the communication error information for all Station Numbers** and **Monitoring communication error information for each station, individually**.

##### ■ Reading from an external device under the conditions in which a communication error occurred

The device value of an external device that caused a communication error is maintained as the last read value until the displayed screen changes. When the screen changes, all device values of the external device that caused the communication error turn to 0.

##### ■ Writing to an external device under the conditions in which a communication error occurred

If data is written to an external device that is experiencing a communication error, values displayed on the main unit are changed, but are not written to the external device. Values displayed on the main unit are maintained until the screen changes, but are initialized to 0 when the screen changes. Values written on the main unit during a communication error are not written to the external device even after the main unit has recovered from the communication error.

##### ■ Options when using Ignore communication errors and continue operation

When **Ignore communication errors and continue operation** is enabled, several options become available. This section describes what these optional settings do.

Settings	Action when the main unit fails to connect to the external device	
Display error message	Enable	An error message is displayed, but operation continues (communication error). The error message does not automatically close even if the connection with the external device recovers. To close the error message, press the Ack (acknowledge) button that is displayed on the error message itself.
	Disable	No error message is displayed (communication error), and operation continues.
Auto retry	Enable	The main unit automatically tries to reconnect if a communication error occurs.
	Disable	The main unit does not try to reconnect if a communication error occurs. In this case, the bit 1 (connection settings) of the device set in <b>Monitoring communication error information for each station, individually</b> automatically turns to 0.



## 5 Using Multiple Communication Drivers

The number of communication drivers that can be used simultaneously varies based on the model.

FT2J/1J: 3

HG2J/1J, HG5G/4G/3G/2G-V, HG4G/3G, HG2G-5F/-5T, HG1G: 4

All external devices are managed by the external device ID which is a number that the main unit uses for external device management, and a total of 32 external devices can be configured. The maximum number of connected devices for each communication driver is dependent on the external devices to be connected. For details, refer to the manuals for the external devices to be connected.

You will find the WindO/I-NV4 setting items in the **System- System Setup - Project Setting** dialog boxes. For details, refer to the WindO/I-NV4 User's Manual.

### Restriction for using Multiple Communication Drivers

The following communication driver combinations can only be used in a single (Function). They cannot be configured in multiple settings.

#### ■ Restriction for using Multiple Communication Drivers (1)

Manufacturer	Communication Driver
Modbus	Modbus RTU Master
	Modbus RTU Slave
SIEMENS	S7-200(PPI)
	S7-MPI
YASKAWA Electric	MP920-RTU

#### ■ Restriction for using Multiple Communication Drivers (2)

Manufacturer	Communication Driver
Allen-Bradley	Logix Controllers(Ethernet)
	Logix Native Tag(Ethernet)

#### ■ Restriction for using Multiple Communication Drivers (3)

Manufacturer	Communication Driver
IDEC System	DM Link (1:1)
	DM Link (1:N)
	DM Link Ethernet (UDP) <sup>*1</sup>
Modbus	Modbus RTU Slave
	Modbus TCP Server

Example: **Communication Driver** for **External Device Communication 1** is set to **Modbus RTU Slave**

According to the Restriction for using Multiple Communication Drivers (1), **External Device Communication 2**, **External Device Communication 3**, and **External Device Communication 4** cannot be set to **Modbus RTU Master**, **S7-200(PPI)**, **S7-MPI**, or **MP920-RTU**.

According to the Restriction for using Multiple Communication Drivers (3), **External Device Communication 2**, **External Device Communication 3**, and **External Device Communication 4** cannot be set to **DM Link (1:1)**, **DM Link (1:N)**, **DM Link Ethernet(UDP)<sup>\*1</sup>**, or **Modbus TCP Server**.

\*1 HG5G/4G/3G/2G-V, HG4G/3G, HG2G-5F only

## 6 Restrictions

### ■ Number of external device limitations

- The number of external devices that can be connected to **External Device Communication 1** to **External Device Communication 4** is a total of 32 external devices.
- The number of external devices that can be set varies based on the communication interface.
- The maximum number of external devices per communication driver varies based on the external device. For details, see the manual for the connected external devices.

Communication Interface	Number of External Devices
Serial Interface (Connection: 1:1 communication)	1
Serial Interface (Connection: 1:N communication)	31 max.
Ethernet Interface	32 max.

### ■ Maximum number of source devices at one time

The maximum number of devices (including O/I Link) that can be read at one time is 8192. Devices exceeding this limit cannot be read out.

# Chapter 7 Communication Cables

## 1 Communication Cables

### 1.1 User Communication, Printer or PLC communication cable (Type Number: FC2A-KP1C, HG9Z-XC275)

Communication cable\*<sup>1</sup> for the FT2J/1J, HG2J/1J, HG5G/4G/3G/2G-V, HG4G/3G, HG2G-5F/-5T, HG1G Serial Interface and the IDEC FC4A/5A MICROSmart or the Mitsubishi Electric MELSEC-FX series.



Type Number	Cable length
FC2A-KP1C	2.4m
HG9Z-XC275	5m

#### ● Pinout

Mini DIN 8-pin Modular Connector

Pin No.	Shield Wire	Color
Cover		Black
1		Yellow
2		Blue
3		Green
4		Brown
5		Gray
6		Red
7		White
8		

#### ● Connection Diagram

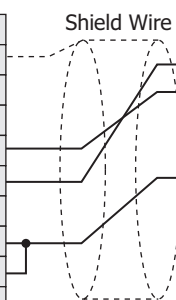
Connecting the IDEC FC4A/5A MICROSmart

PLC(RS232C):  
Mini DIN 8-pin Connector

Name	Color	Pin No.
Shield		Cover
NC	Black	1
NC	Yellow	2
SD	Blue	3
RD	Green	4
NC	Brown	5
SG	Gray	6
SG	Red	7
NC	White	8

HG5G/4G/3G/2G-V,  
HG4G/3G, HG2G-5F/-5T, HG1G:  
Terminal block

Pin No.	Name
1	SD
2	RD
3	RS
4	CS
5	SG



\*1 IDEC FC4A/5A MICROSmart is available only for HG5G/4G/3G/2G-V, HG4G/3G, HG2G-5F/-5T, HG1G.

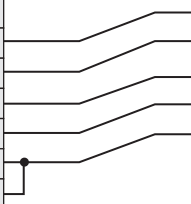
Connecting the Mitsubishi Electric MELSEC-FX series (except the FX3U and FX3UC-32MT-LT)


PLC(RS422/485):  
Mini DIN 8-pin Connector

Name	Color	Pin No.
Shield		Cover
SDA	Red	7
SDB	Green	4
RDA	Yellow	2
RDB	Black	1
SG	Blue	3
SG	Grey	6

FT2J/1J, HG2J/1J, HG5G/4G/3G/2G-V,  
HG4G/3G, HG2G-5F/-5T, HG1G:  
Terminal block

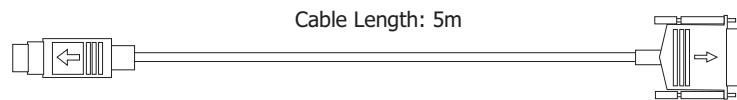
Pin No.	Name
8	RDA(RD+)
9	RDB(RD-)
6	SDA(SD+)
7	SDB(SD-)
5 or 10*1	SG



-  Terminate any unused wires properly to make sure that these wires do not contact other wires or metal parts electrically.
- Please do not use the communication cables (Type Number: FC2A-KP1C and HG9Z-XC275) with FX3U/FX3UC-32MT-LT of the MELSEC-FX Series described in this manual because the Mini DIN Connector interferes with the housing of the PLC.

**1.2 PLC communication cable (Type Number: HG9Z-XC295)**

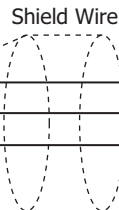
Direct connection cable for the HG5G/4G/3G/2G-V, HG4G/3G, HG2G-5F Serial Interface (COM1) and the IDEC FC4A/5A MICROSmart Programming Port.



● Connection Diagram

PLC(RS232C):  
Mini DIN 8-pin Connector

Name	Pin No.
Shield	Cover
SD	3
RD	4
SG	6
SG	7



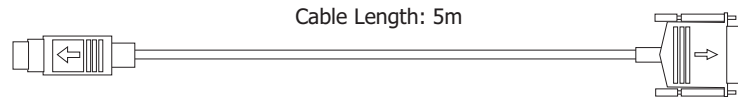
HG5G/4G/3G/2G-V,  
HG4G/3G, HG2G-5F:  
D-sub 9-pin Female Connector

Pin No.	Name
Cover	Shield
2	RD
3	SD
5	SG
7	RS
8	CS

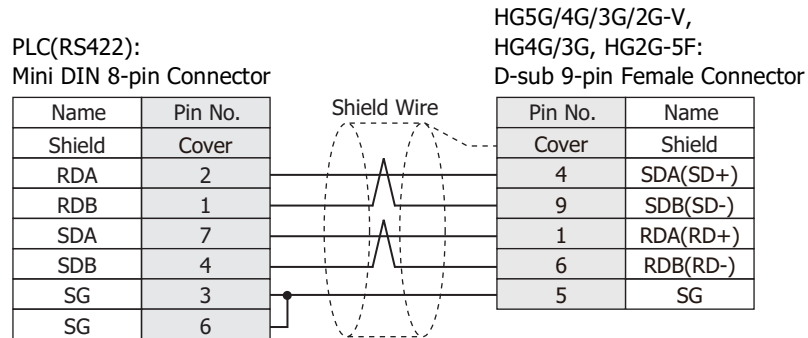
\*1 FT1J, HG1J only

### 1.3 PLC communication cable (Type Number: HG9Z-XC305)

Direct connection cable for the HG5G/4G/3G/2G-V, HG4G/3G, HG2G-5F Serial Interface (COM1) and the Mitsubishi FX Series.

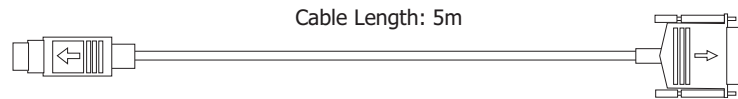


#### ● Connection Diagram

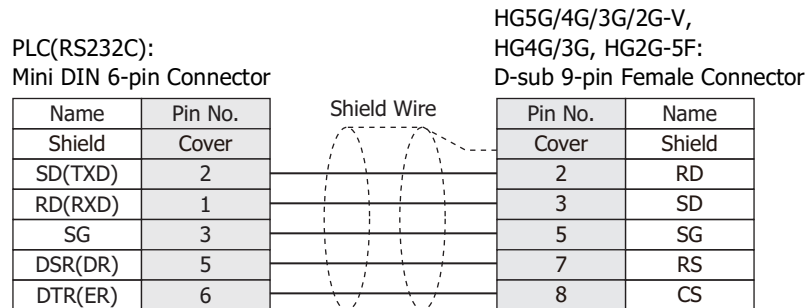


### 1.4 PLC communication cable (Type Number: HG9Z-XC315)

Direct connection cable for the HG5G/4G/3G/2G-V, HG4G/3G, HG2G-5F Serial Interface (COM1) and the Mitsubishi Q Series.

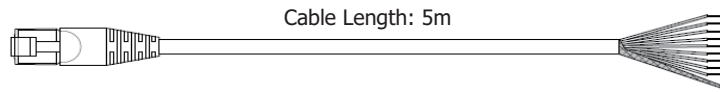


#### ● Connection Diagram



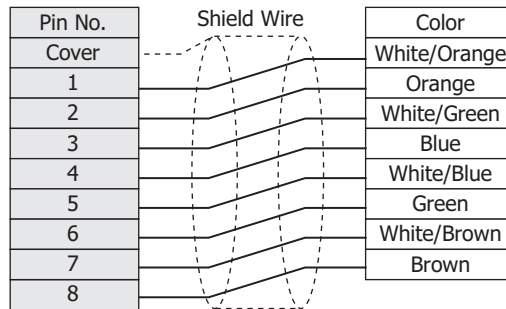
### 1.5 User Communication or PLC communication cable (Type Number: FC6A-KC1C)

Communication cable for the FT2J/1J, HG2J/1J, HG5G/4G/3G/2G-V, HG4G/3G, HG2G-5F/-5T, HG1G Serial Interface and the IDEC FC6A MICROSmart (FC6A-C\*\*\*\*\*E) Serial port 1.

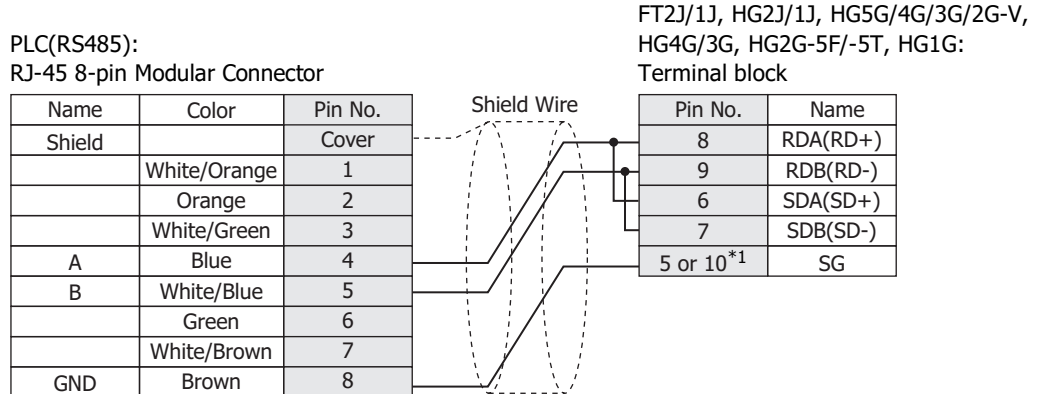
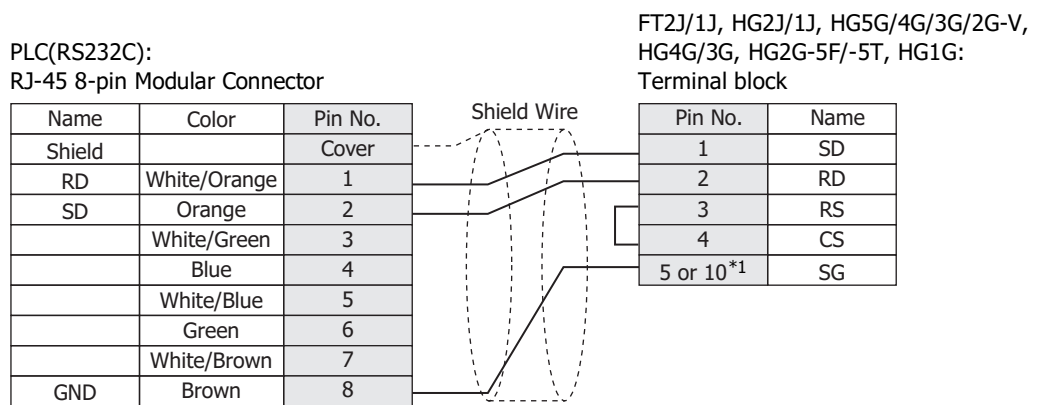


● Pinout

RJ-45 8-pin Modular Connector



● Connection Diagram

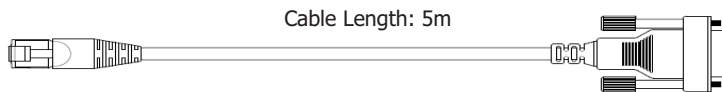


Terminate any unused wires properly to make sure that these wires do not contact other wires or metal parts electrically.

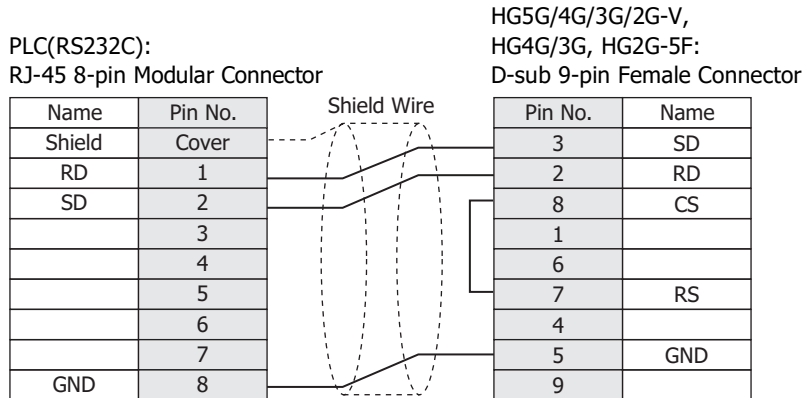
\*1 FT1J, HG1J only

### 1.6 User Communication or PLC communication cable (Type Number: FC6A-KC2C)

Connection cable for the HG5G/4G/3G/2G-V, HG4G/3G, HG2G-5F Serial Interface (COM1) and the IDEC FC6A MICROSmart (FC6A-C\*\*\*\*\*E) Serial port 1.



● Connection Diagram



# IDEC CORPORATION

 [www.idec.com](http://www.idec.com)

**Head Office** 6-64, Nishi-Miyahara-2-Chome, Yodogawa-ku, Osaka 532-0004, Japan

**USA** IDEC Corporation  
**EMEA** APEM SAS

**Singapore** IDEC Izumi Asia Pte. Ltd.  
**Thailand** IDEC Asia (Thailand) Co., Ltd.  
**India** IDEC Controls India Private Ltd.

**China** IDEC (Shanghai) Corporation  
IDEC Izumi (H.K.) Co., Ltd.  
**Taiwan** IDEC Taiwan Corporation

**Japan** IDEC Corporation

Specifications and other descriptions in this manual are subject to change without notice.  
Information in this manual is current as of July 2024.  
2015 IDEC Corporation, All Rights Reserved.

B-1698(19)

