

Rated Operating Voltage (◇) : 100/110V AC (1)

200/220V AC (2)

Contact Arrangement (□□) :

1 a - 1 b (11) , 2 a (20) , 2 b (02) ,

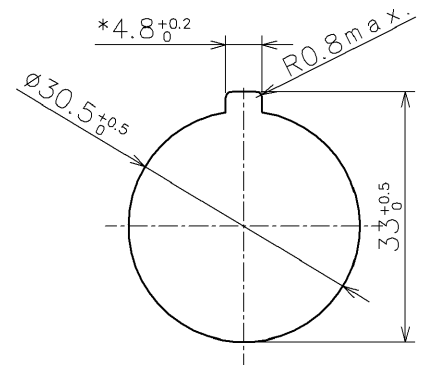
2 a - 2 b (22) , 4 a (40) , 4 b (04) ,

3 a - 1 b (31) , 1 a - 3 b (13)

Lens Color (※) : Red (R) , Green (G) , Blue (S) ,

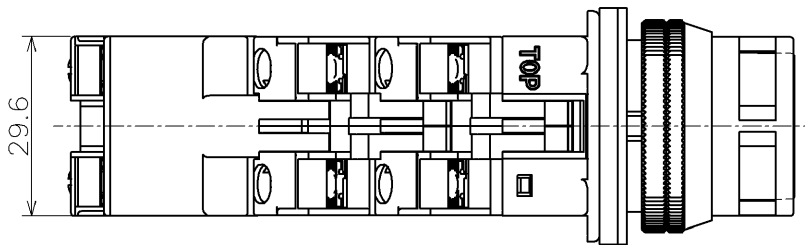
Amber (A) , Yellow (Y) , Pure White (PW)

Terminal style : M3.5 terminal screw

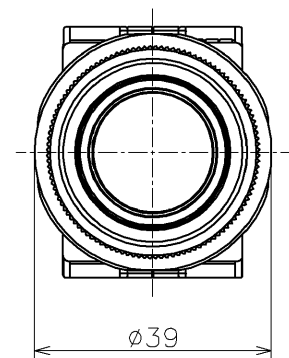
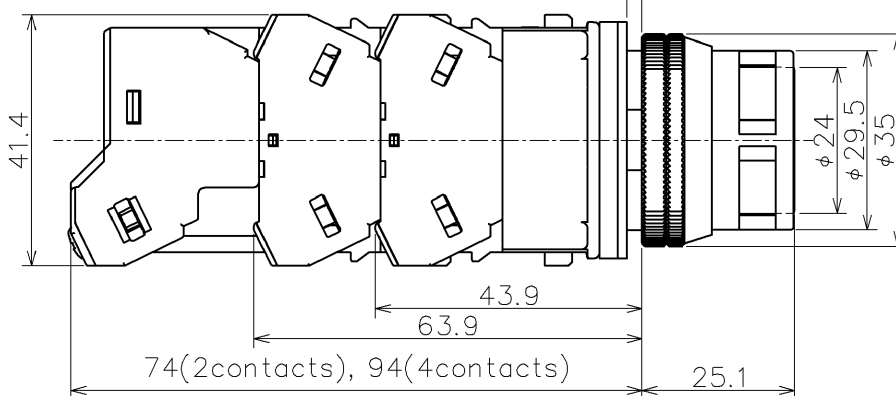


PANEL CUT-OUT

*THE 4.8^{+0.2} RECESS IS NOT NECESSARY WHEN NEITHER NAMEPLATE NOR ANTI-ROTATION RING IS USED.



Panel Thickness 0.8to7.5



Scale=0.8

Product Name: TWN SERIES ILLUMINATION PUSHBUTTON SWITCHES

Type Number: ALFN2/AOLFN2◇6□□DN※

Approved by M.FUJIMOTO

2023/7/25

Dim.: mm

Outside View

Checked by Y.HANAOKA

2023/7/25

Drawing No. MA4-A05110B

Drawn by F.TAKAI

2023/7/25