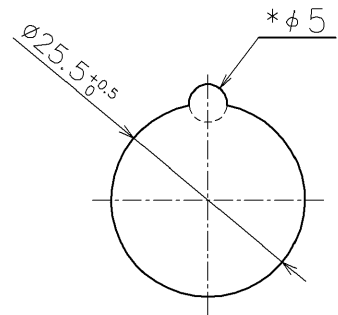


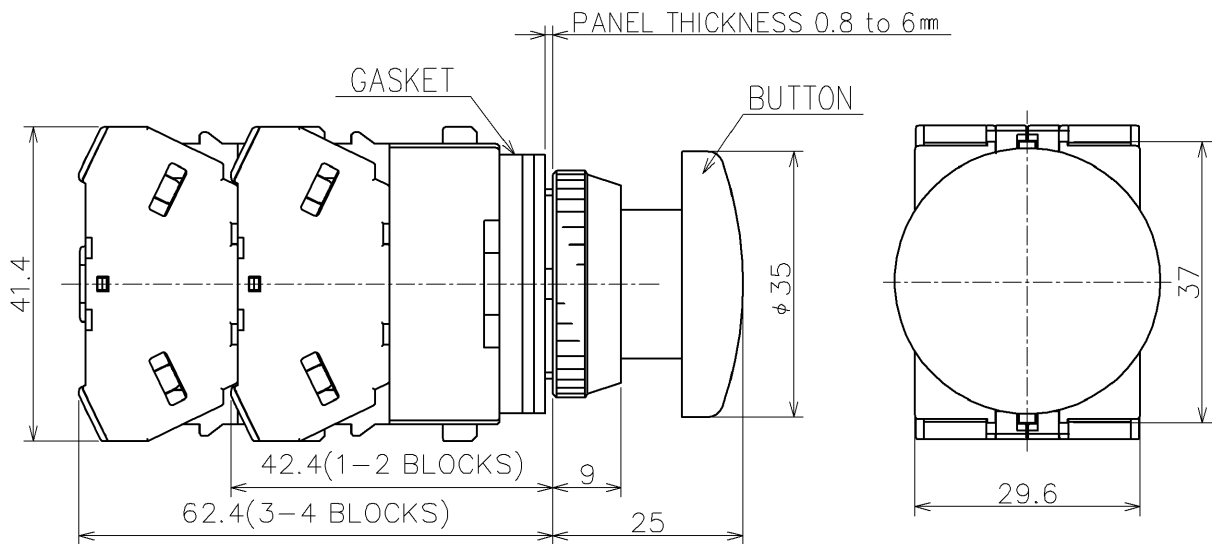
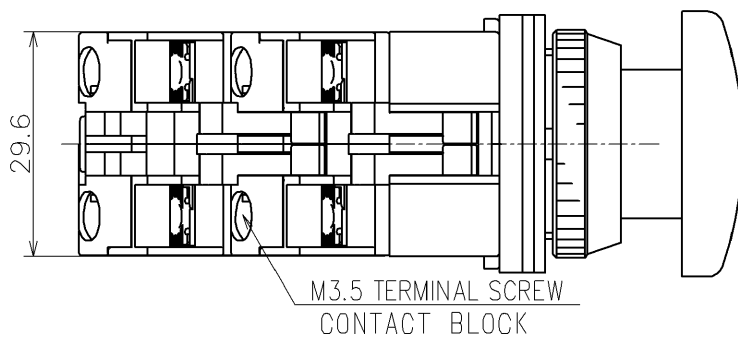
Contact Arrangement (□□) : 1 a (10), 1 b (01), 1 a-1 b (11),
 2 a (20), 2 b (02), 3 a (30), 3 b (03),
 2 a-1 b (21), 1 a-2 b (12),
 2 a-2 b (22), 4 a (40), 4 b (04),
 3 a-1 b (31), 1 a-3 b (13)

Button Color (*) : Red (R), Green (G), Black (B),
 Yellow (Y), Blue (S), White (W)



PANEL CUT-OUT

*THE $\phi 5$ RECESS IS NOT NECESSARY
 WHEN NEITHER NAMEPLATE NOR
 ANTI-ROTATION RING IS USED



			Product Name: TWS SERIES PUSHBUTTON SWITCH	
			Type Number: ABS3□□N*	
Approved by	M.FUJIMOTO	2023/9/25	Dim.: mm	Outside View
Checked by	Y.HANAOKA	2023/9/25	Drawing No.	
Drawn by	R.GUO	2023/9/25	MA4-A04562B	