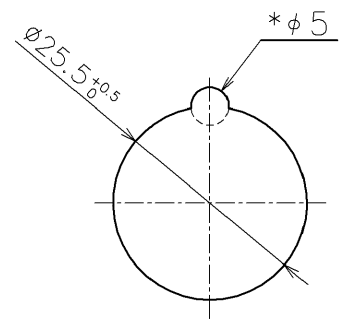
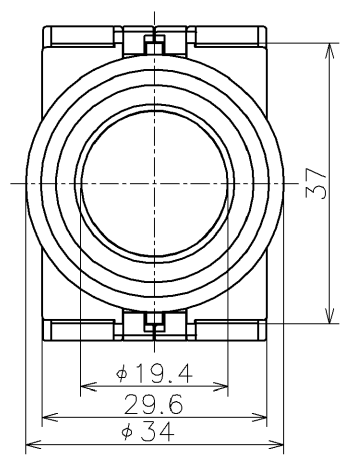
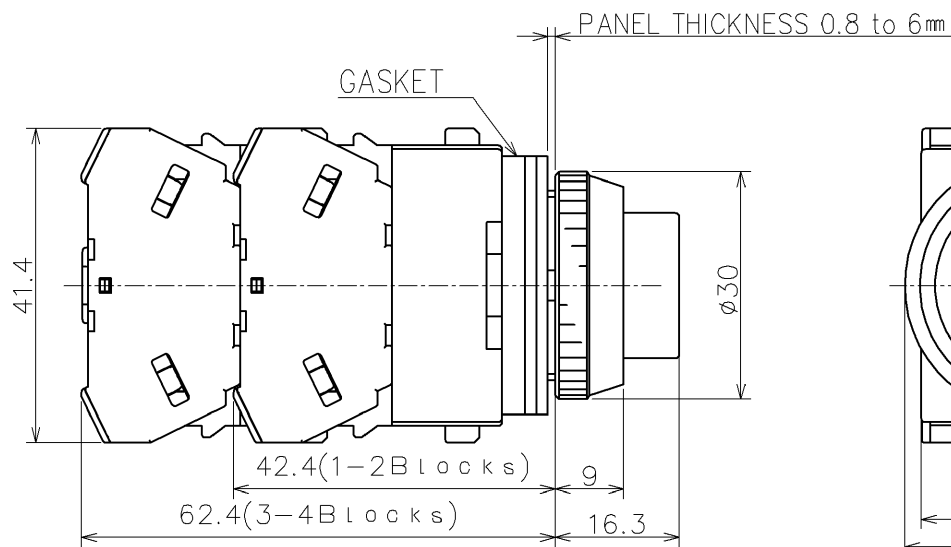
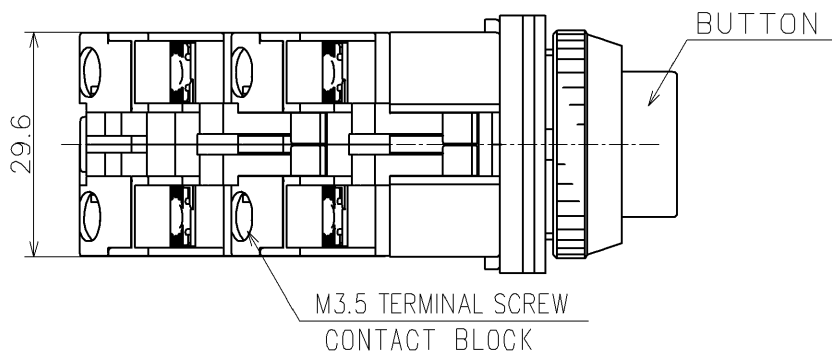


Contact Arrangement (□□) :	1 a (10), 1 b (01), 1 a-1 b (11),
	2 a (20), 2 b (02), 3 a (30), 3 b (03),
	2 a-1 b (21), 1 a-2 b (12),
	2 a-2 b (22), 4 a (40), 4 b (04),
	3 a-1 b (31), 1 a-3 b (13)
Button Color (*) :	Red (R), Green (G), Black (B),
	Yellow (Y), Blue (S), White (W)



PANEL CUT-OUT

*THE $\phi 5$ RECESS IS NOT NECESSARY WHEN NEITHER NAMEPLATE NOR ANTI-ROTATION RING IS USED



			Product Name:	TWS SERIES PUSHBUTTON SWITCH	
			Type Number:	ABS2□□N*	
Approved by	M.FUJIMOTO	2023/9/25	Dim.:	mm	Outside View
Checked by	Y.HANAOKA	2023/9/25	Drawing No. MA4-A04545B		
Drawn by	R.GUO	2023/9/25			