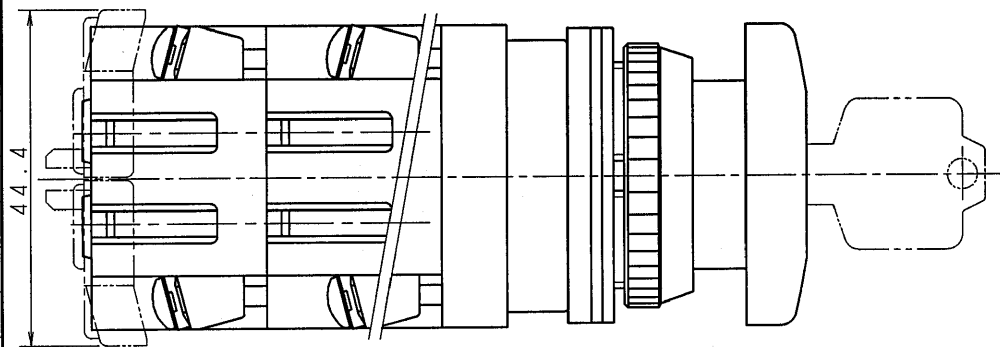
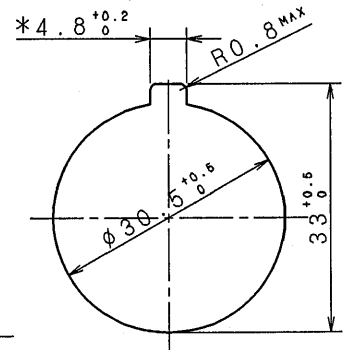


□□(Contact Arrangement) : 10 (1a), 01 (1b), 11 (1a-1b),
 20 (2a), 02 (2b), 30 (3a), 03 (3b),
 21 (2a-1b), 12 (1a-2b),
 22 (2a-2b), 40 (4a), 04 (4b),
 31 (3a-1b), 13 (1a-3b)

※ (Button Color) : R (Red), G (Green), B (Black), Y (Yellow)
 Applicable Terminal Cover : N-VL2

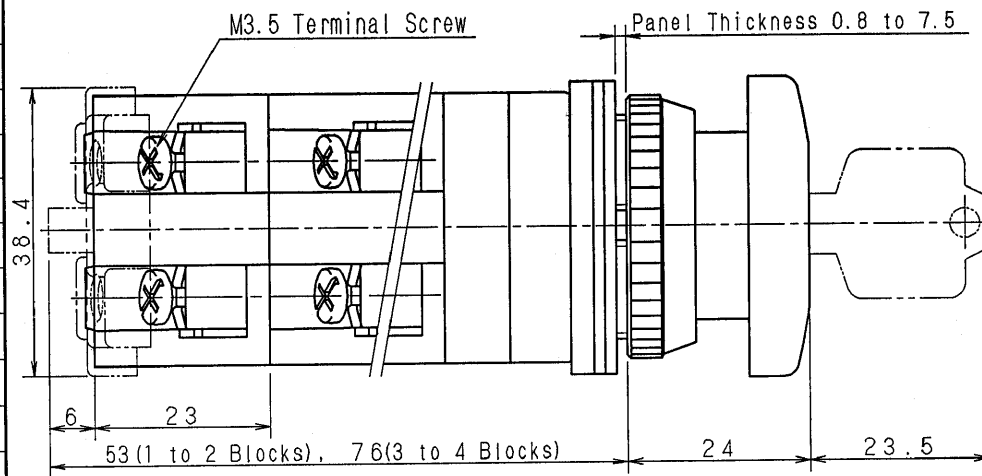


44.4



Panel Cut-Out

*The 4.8^{+0.2} recess is not necessary when neither nameplate nor anti-rotation ring is used.



M3.5 Terminal Screw

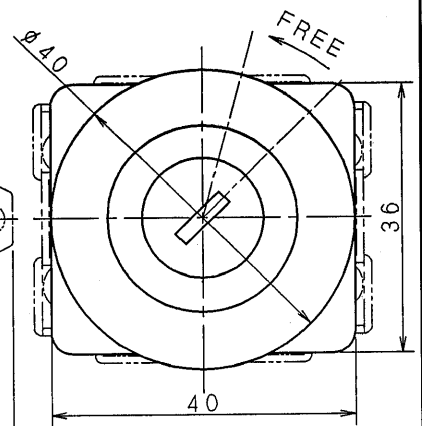
Panel Thickness 0.8 to 7.5

38.4

6 23
 53 (1 to 2 Blocks), 76 (3 to 4 Blocks)

24

23.5



∅40

FREE

36

40

		Product Name: ∅30 SERIES PUSHBUTTON SWITCH	
		Type Number: ABN3K□□※	
Approved by	<i>S. Takahashi</i>	Feb. 26, 2008	Dim.: mm
Checked by	H. Okamura	Feb. 26, 2008	
Drawn by	K. TATEISHI	Feb. 26, 2008	Drawing No. MA4-A04319