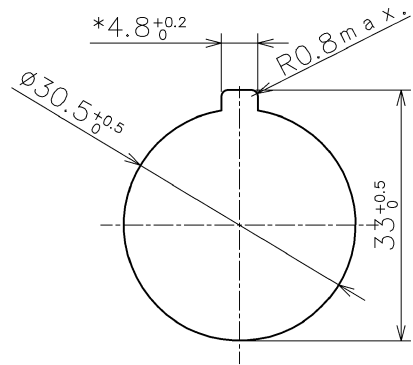


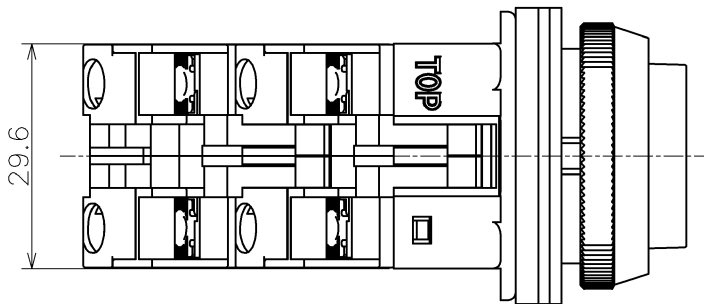
□□ (Contact arrangement) : 1 a (10), 1 b (01), 1 a-1 b (11),
 2 a (20), 2 b (02), 3 a (30), 3 b (03),
 2 a-1 b (21), 1 a-2 b (12),
 2 a-2 b (22), 4 a (40), 4 b (04),
 3 a-1 b (31), 1 a-3 b (13)

* (Button color) : Black (B), Green (G), Red (R), Yellow (Y), Blue (S), White (W)
 Terminal style : M3.5 terminal screw

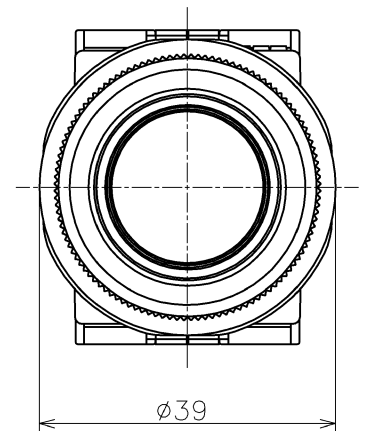
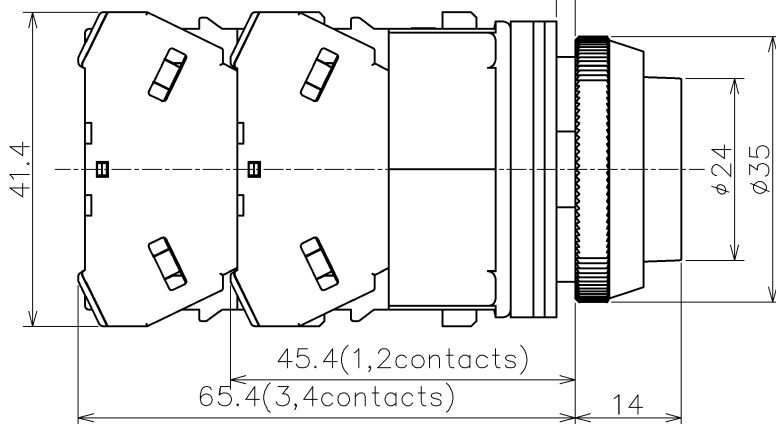


PANEL CUT-OUT

*THE 4.8^{±0.2} RECESS IS NOT NECESSARY WHEN NEITHER NAMEPLATE NOR ANTI-ROTATION RING IS USED.



Panel Thickness 0.8 to 7.5



			Product Name: TWN SERIES PUSHBUTTON SWITCHES	
			Type Number: ABN2/AON2□□*	
Approved by	N.Obata	JUN.1,2018	Dim.: mm	Outside View
Checked by	N.Obata	JUN.1,2018	Drawing No. MA4-A05377	
Drawn by	T.MATSUMOTO	JUN.1,2018		