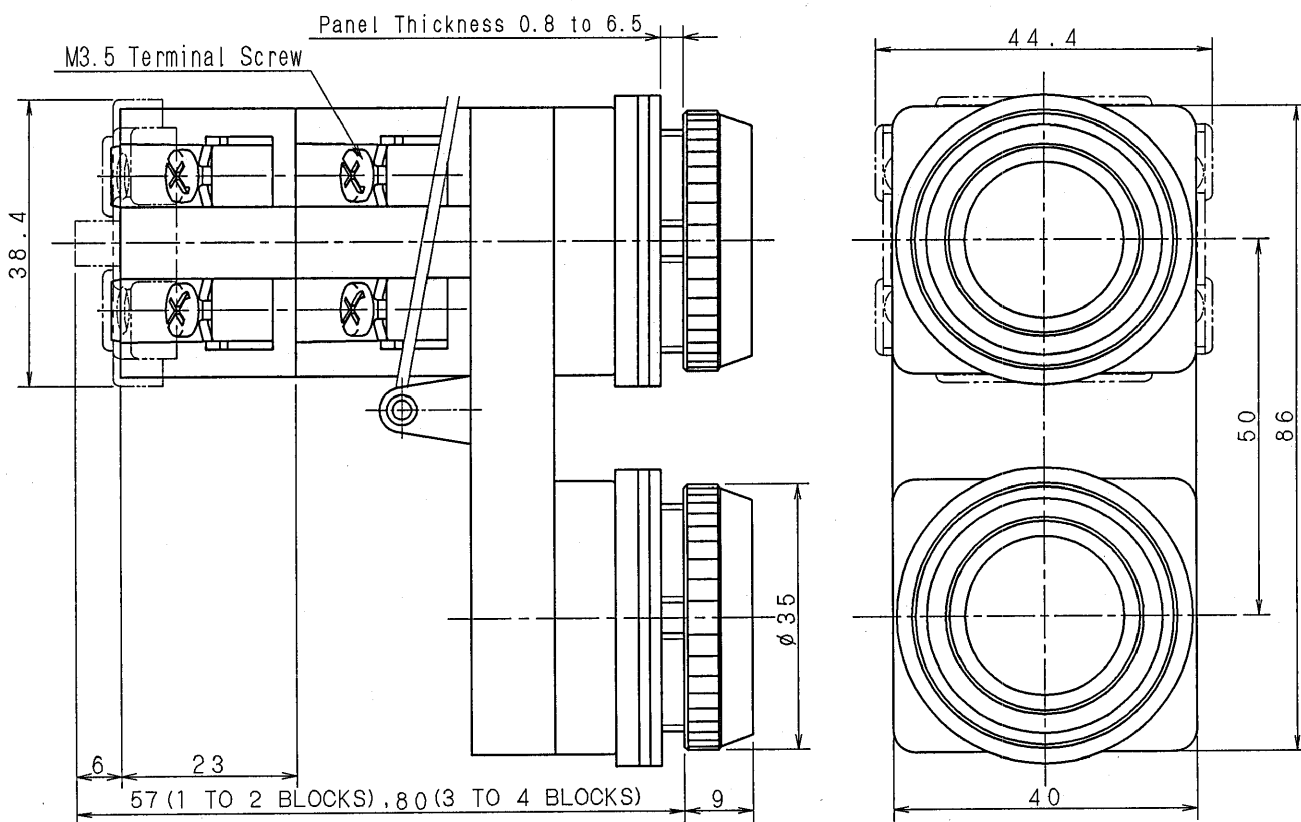


PANEL CUT-OUT

\*THE 4.8<sup>+0.2</sup> RECESS IS NOT NECESSARY WHEN NEITHER NAMEPLATE NOR ANTI-ROTATION RING IS USED.

□ (Contact Arrangement): 10 (1a), 01 (1b), 11 (1a-1b),  
 20 (2a), 02 (2b), 30 (3a), 03 (3b),  
 21 (2a-1b), 12 (1a-2b),  
 22 (2a-2b), 40 (4a), 04 (4b),  
 31 (3a-1b), 13 (1a-3b)  
 Button Color: Includes Three Color (Red, Green, Black)  
 Applicable Terminal Cover: N-VL2



		Product Name: $\phi$ 30 SERIES PUSHBUTTON SWITCH	
		Type Number: ABBN11□□	
Approved by	<i>S. Takahashi</i>	JAN 14, 2010	Dim.: mm    Outside View
Checked by	<i>S. Takahashi</i>	JAN. 14, 2010	
Drawn by	T. MATSUMOTO	JAN. 14, 2010	Drawing No. MA4-A04422